



US00D424917S

**United States Patent** [19]  
**Sato et al.**

[11] **Patent Number: Des. 424,917**

[45] **Date of Patent: \*\* May 16, 2000**

[54] **FLEXIBLE JOINT**

5,052,849 10/1991 Zwart ..... 403/300  
5,375,939 12/1994 Brown et al. .... 403/300

[75] Inventors: **Taichi Sato**, Nagaokakyo; **Yasushi Fujita**, Hyogo-ken, both of Japan

**FOREIGN PATENT DOCUMENTS**

[73] Assignee: **Waterworks Technology Development Organization Co., Ltd.**, Osaka, Japan

938464 11/1995 Japan .

[\*\*] Term: **14 Years**

*Primary Examiner*—Holly Baynham  
*Attorney, Agent, or Firm*—Knobbe, Martens, Olson & Bear, LLP

[21] Appl. No.: **29/111,720**

[57] **CLAIM**

[22] Filed: **Oct. 1, 1999**

The ornamental design for a flexible joint, as shown and described.

[51] **LOC (7) Cl.** ..... **08-08**

**DESCRIPTION**

[52] **U.S. Cl.** ..... **D8/382**

[58] **Field of Search** ..... D8/382; 403/169–170,  
403/173–174, 205, 312, 177–178, 300,  
305–306

FIG. 1 is a front view of a flexible joint.  
FIG. 2 is a rear view of the flexible joint.  
FIG. 3 is a top plan view of the flexible joint.  
FIG. 4 is a bottom plan view of the flexible joint.  
FIG. 5 is a left side view of the flexible joint.  
FIG. 6 is a right side view of the flexible joint; and,  
FIG. 7 is a perspective view of the flexible joint.

[56] **References Cited**

**U.S. PATENT DOCUMENTS**

3,476,413 11/1969 Coberly et al. .... 403/300  
4,756,639 7/1988 Hoshino ..... 403/297  
4,906,122 3/1990 Barrett et al. .... 403/305

**1 Claim, 3 Drawing Sheets**

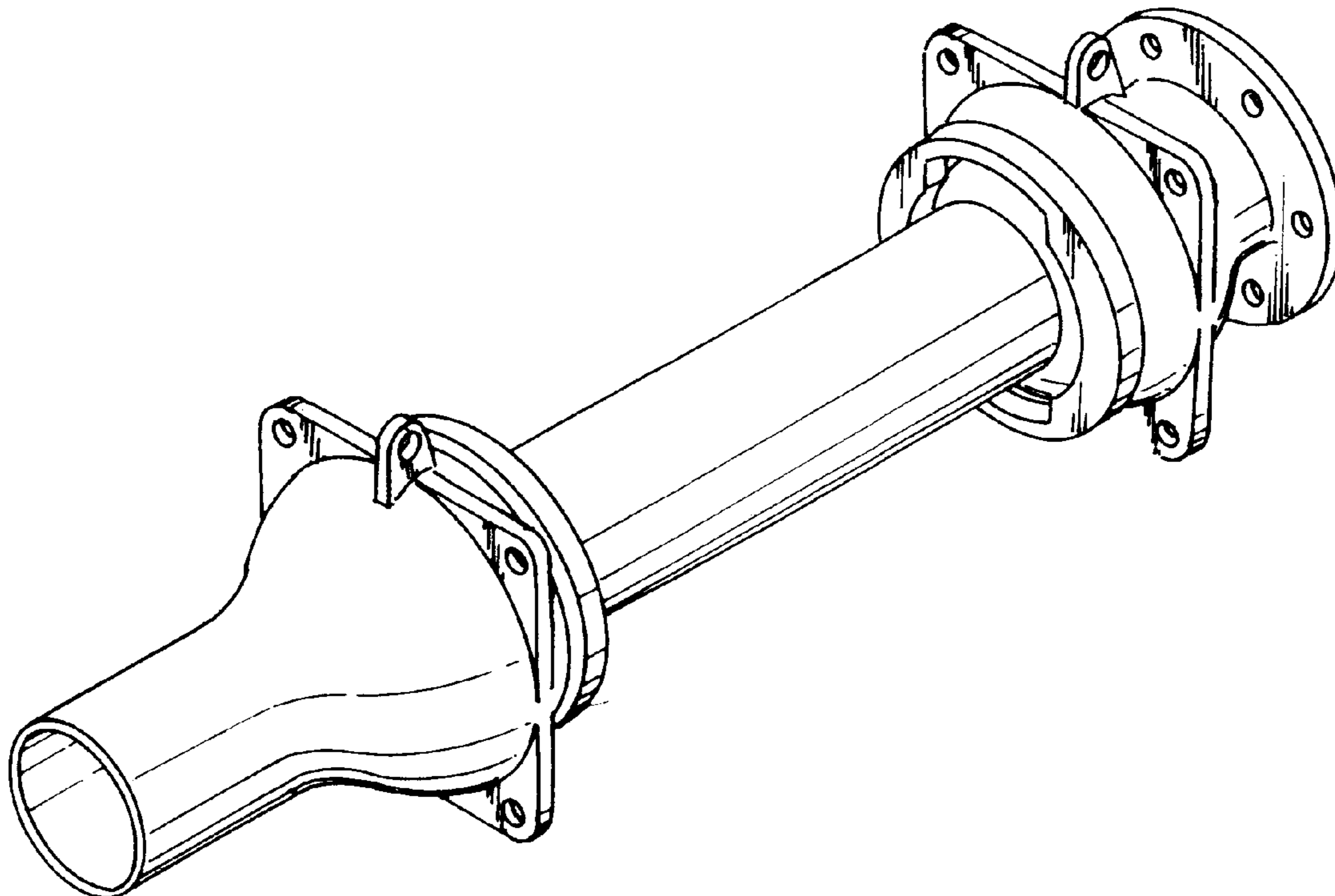


FIG. 1

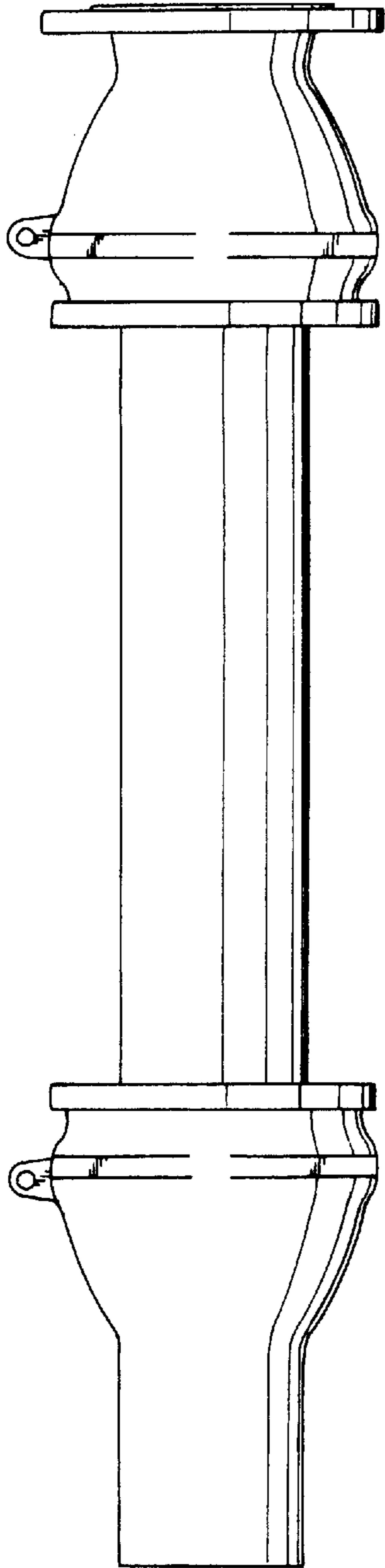


FIG. 2

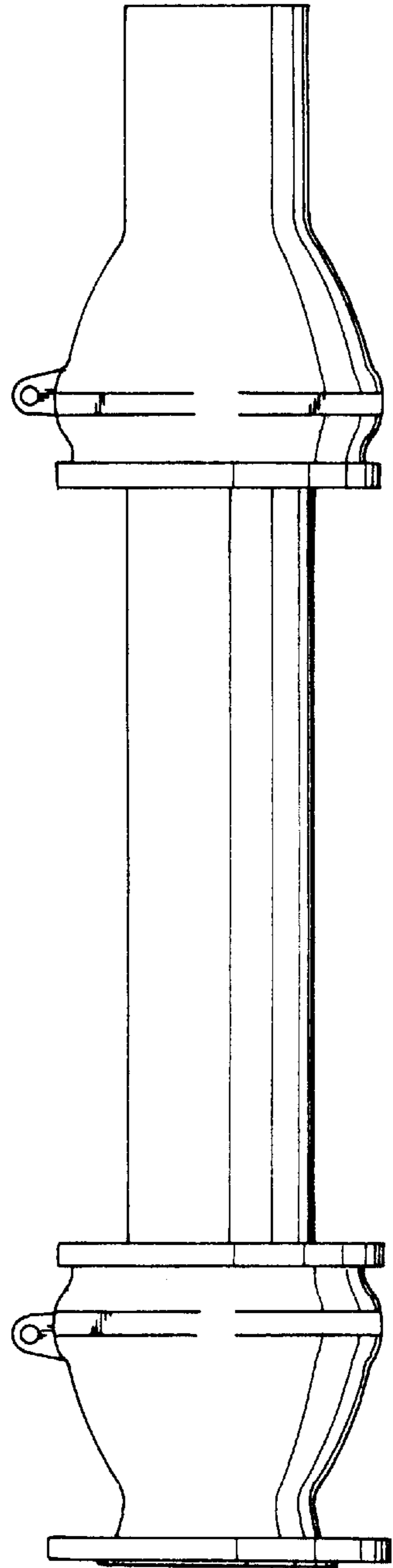


FIG. 3

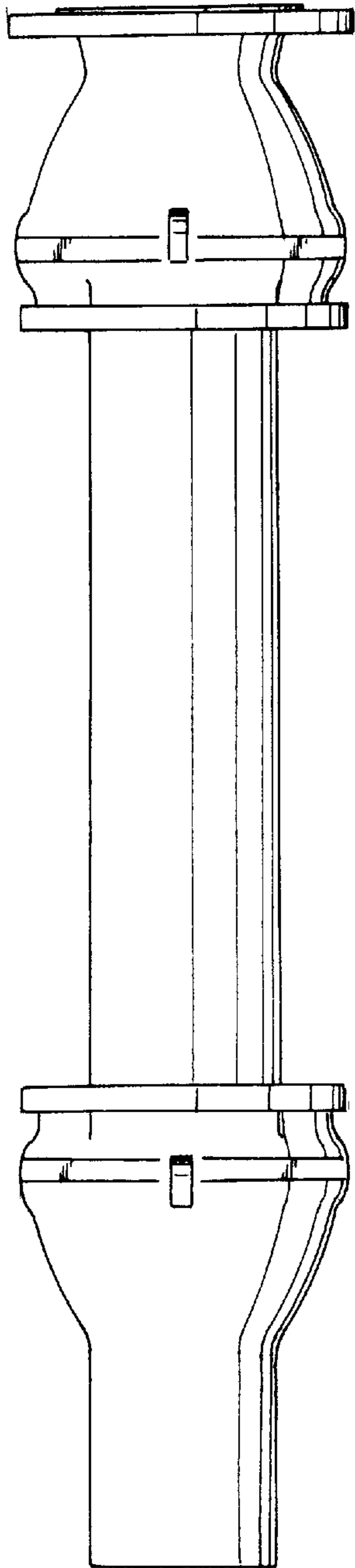


FIG. 4

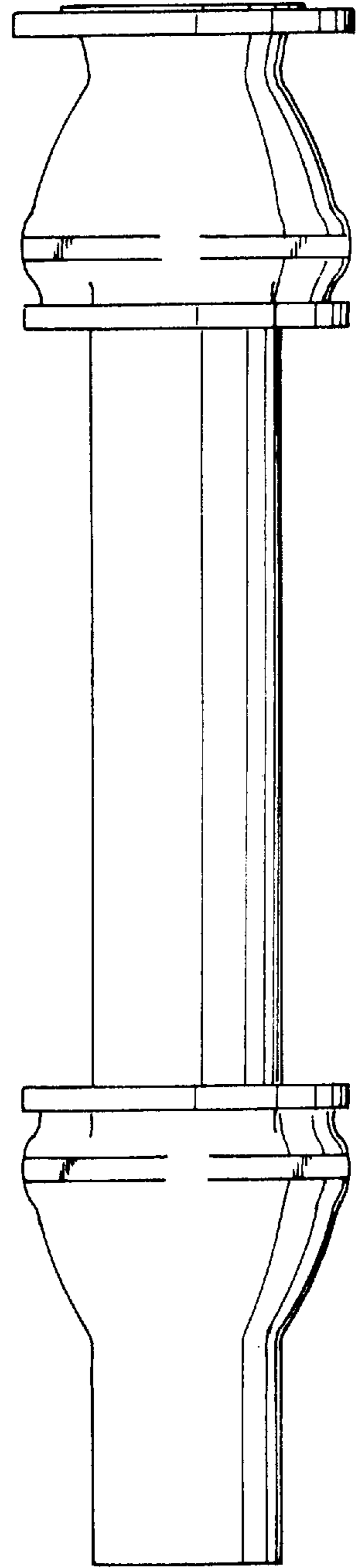


FIG. 5

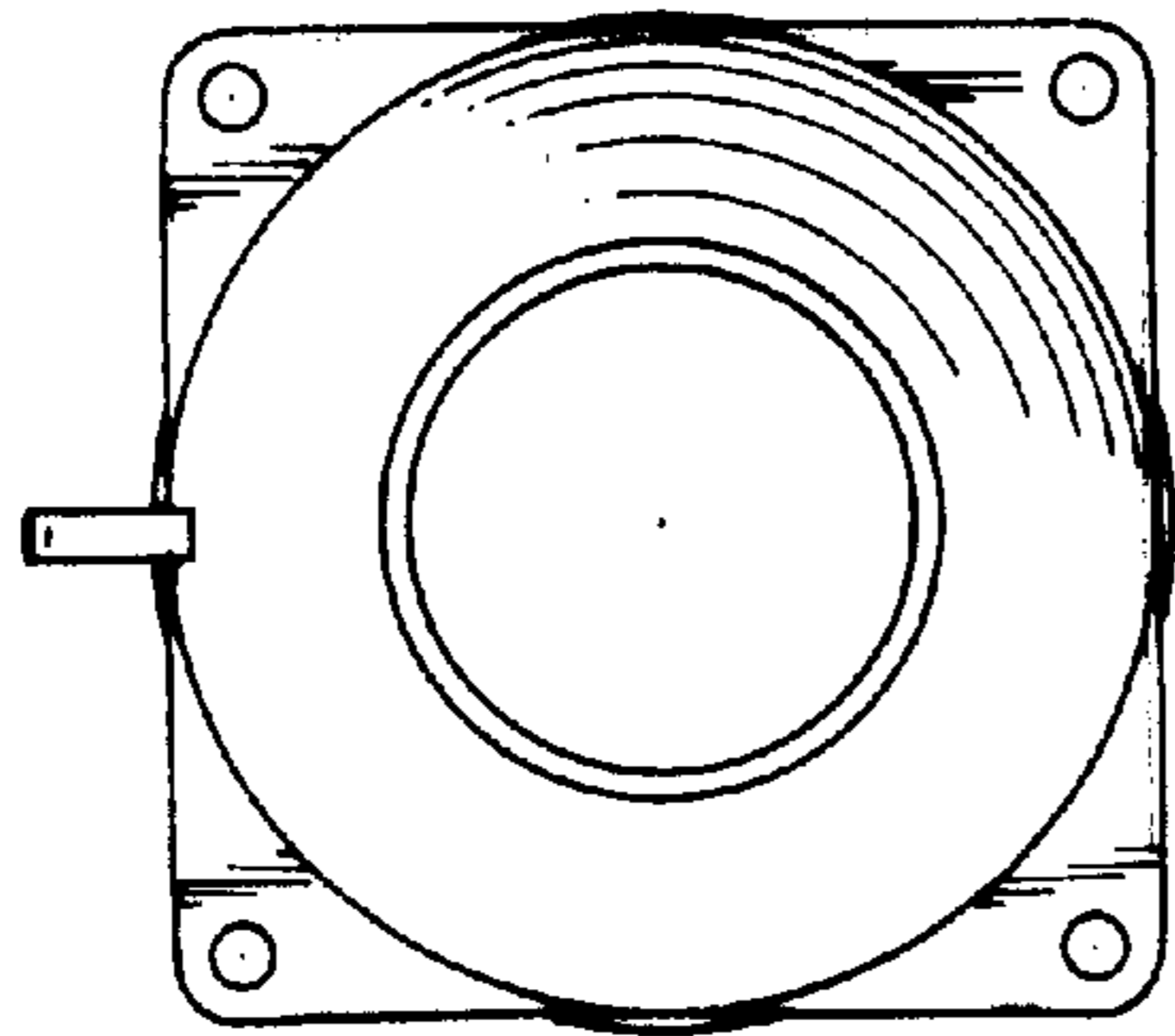


FIG. 6

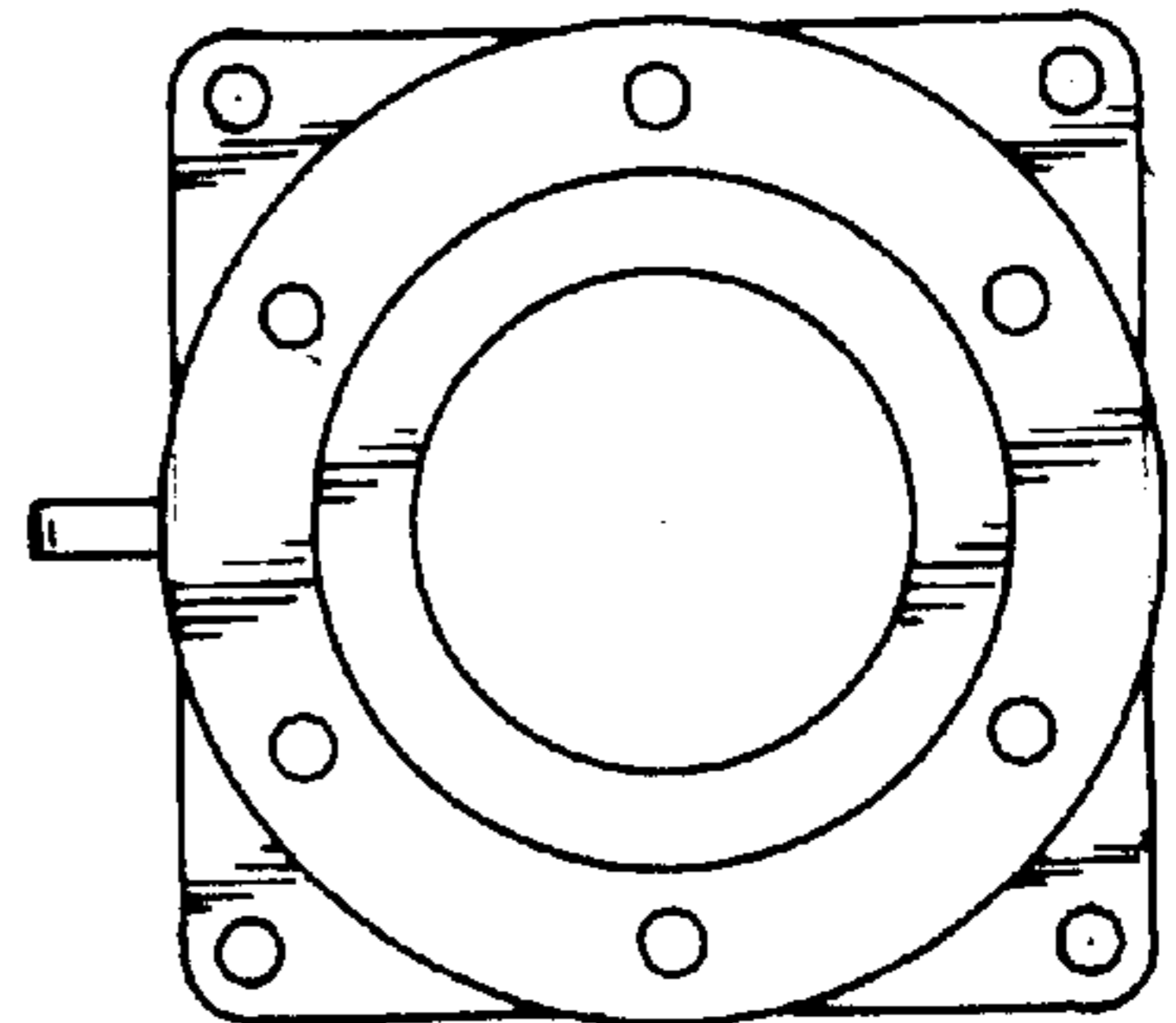


FIG. 7

