



US00D424916S

United States Patent [19]
Sato et al.

[11] **Patent Number: Des. 424,916**

[45] **Date of Patent: ** May 16, 2000**

[54] **FLEXIBLE JOINT**

5,052,849 10/1991 Zwart 403/300
5,375,939 12/1994 Brown et al. 403/300

[75] Inventors: **Taichi Sato**, Nagaokakyo; **Yasushi Fujita**, Hyogo-ken, both of Japan

FOREIGN PATENT DOCUMENTS

938464 11/1995 Japan .

[73] Assignee: **Waterworks Technology Development Organization Co., Ltd.**, Osaka, Japan

Primary Examiner—Holly Baynham
Attorney, Agent, or Firm—Knobbe, Martens, Olson & Bear, LLP

[**] Term: **14 Years**

[21] Appl. No.: **29/111,719**

[57] **CLAIM**

[22] Filed: **Oct. 1, 1999**

The ornamental design for a flexible joint, as shown and described.

[51] **LOC (7) Cl.** **08-08**

DESCRIPTION

[52] **U.S. Cl.** **D8/382**

[58] **Field of Search** D8/382; 403/169–170,
403/173–174, 205, 312, 177–178, 300,
305–306

FIG. 1 is a front view of a flexible joint.
FIG. 2 is a rear view of the flexible joint.
FIG. 3 is a top plan view of the flexible joint.
FIG. 4 is a bottom plan view of the flexible joint.
FIG. 5 is a left side view of the flexible joint.
FIG. 6 is a right side view of the flexible joint; and,
FIG. 7 is a perspective view of the flexible joint.

[56] **References Cited**

U.S. PATENT DOCUMENTS

3,476,413 11/1969 Coberly et al. 403/300
4,756,639 7/1988 Hoshino 403/297
4,906,122 3/1990 Barrett et al. 403/305

1 Claim, 3 Drawing Sheets

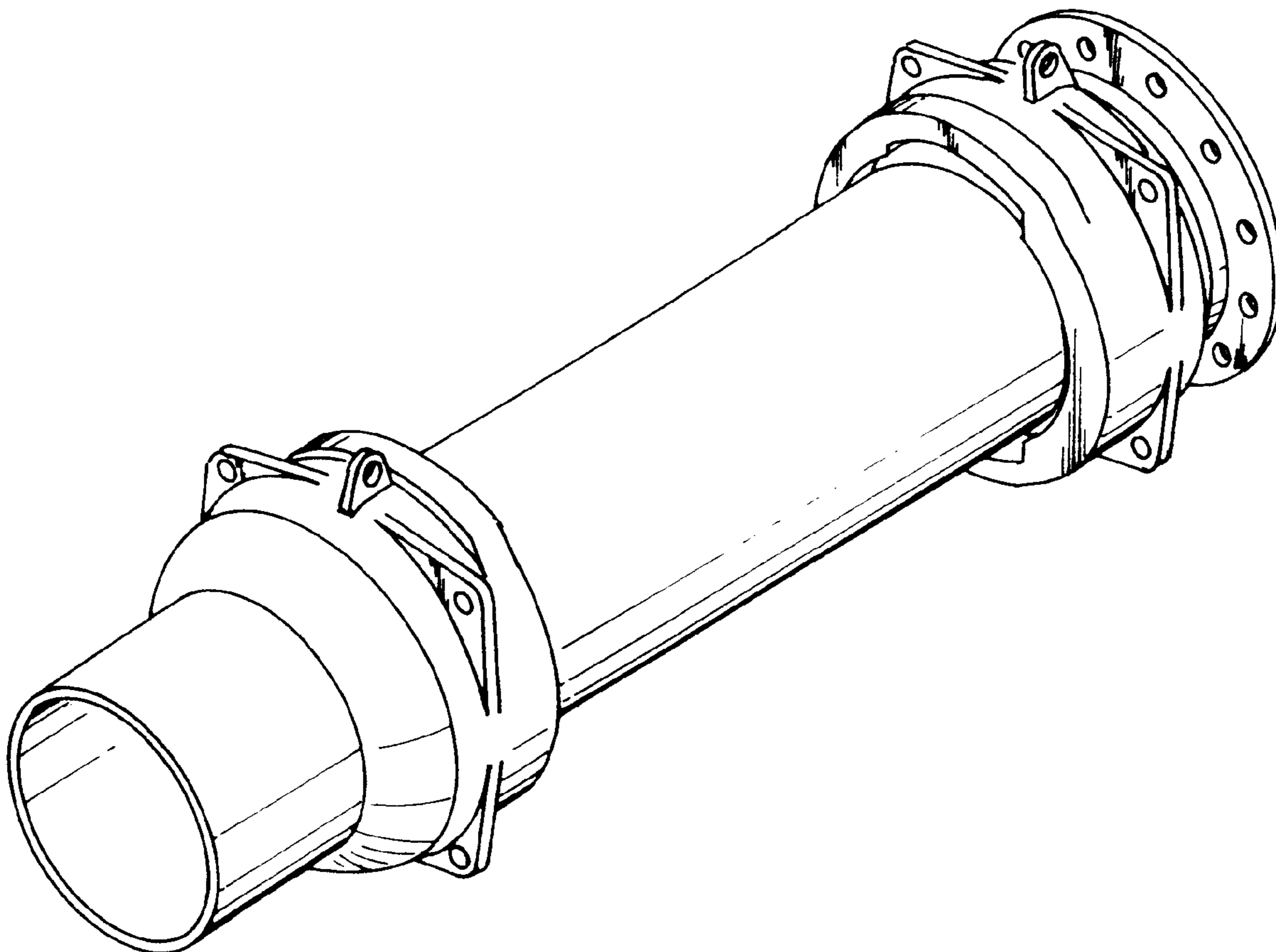


FIG.1

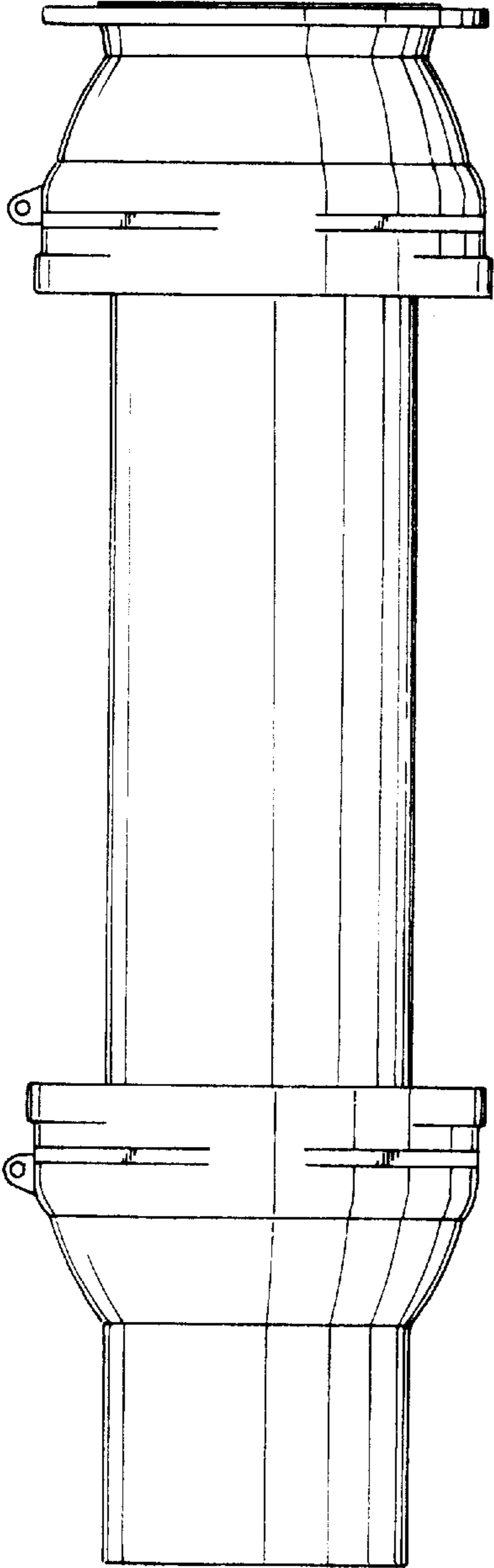


FIG.2

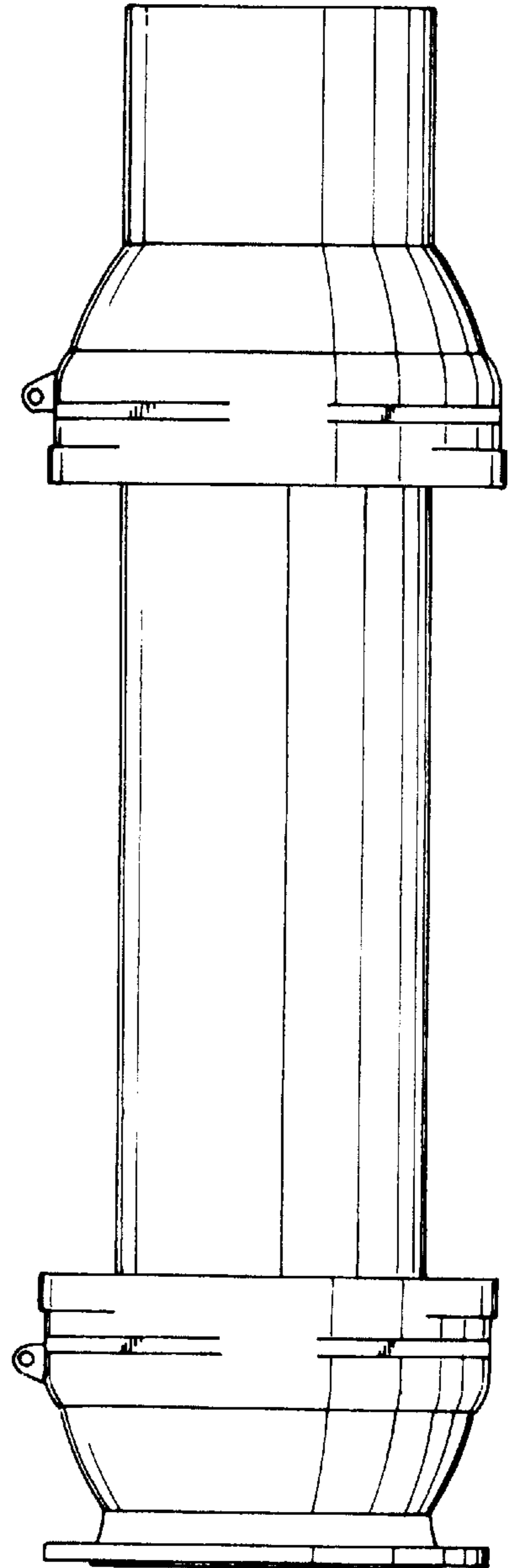


FIG. 3

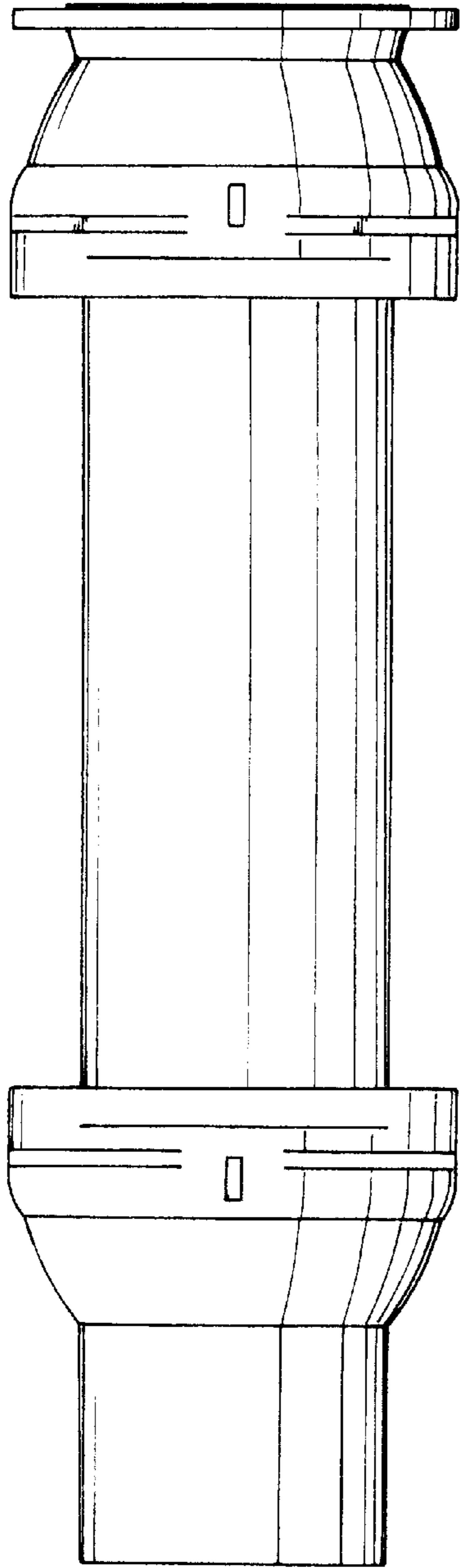


FIG. 4

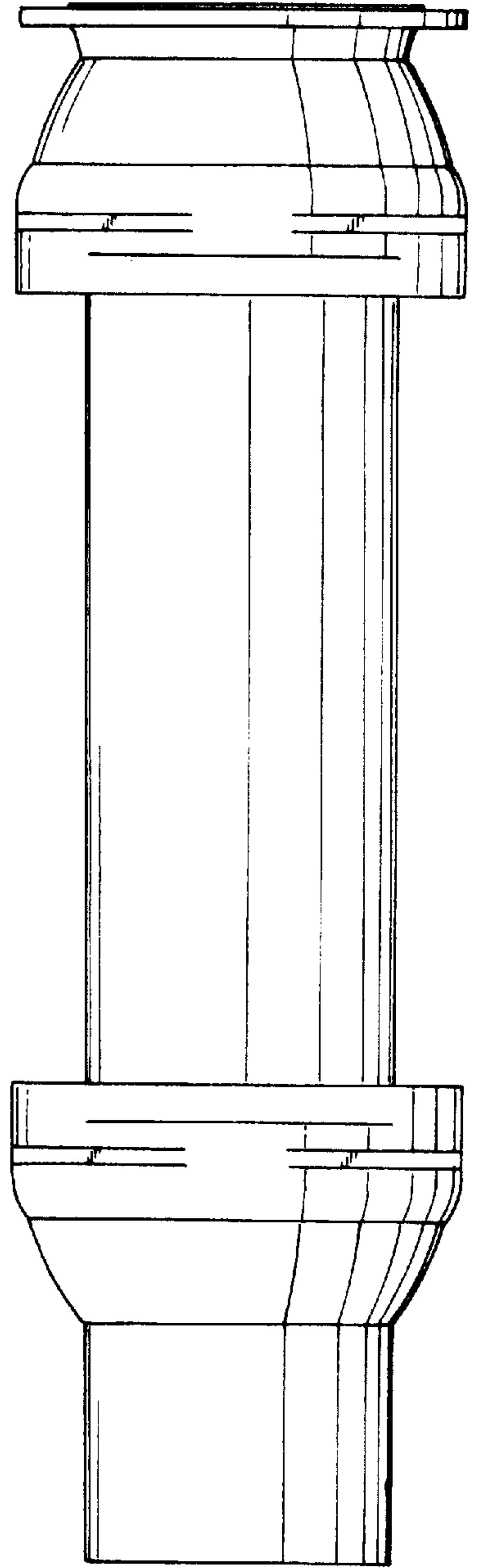


FIG.5

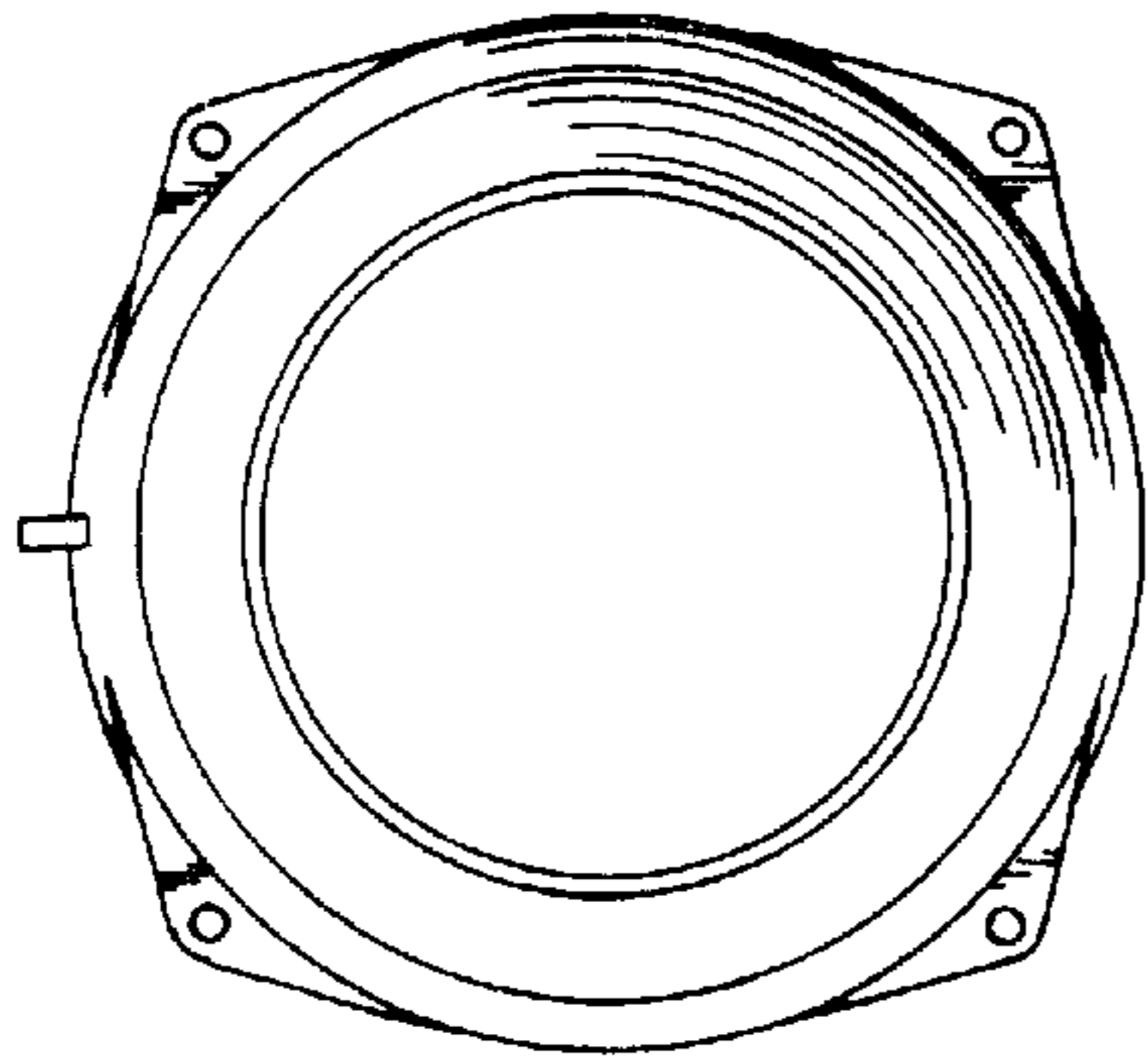


FIG.6

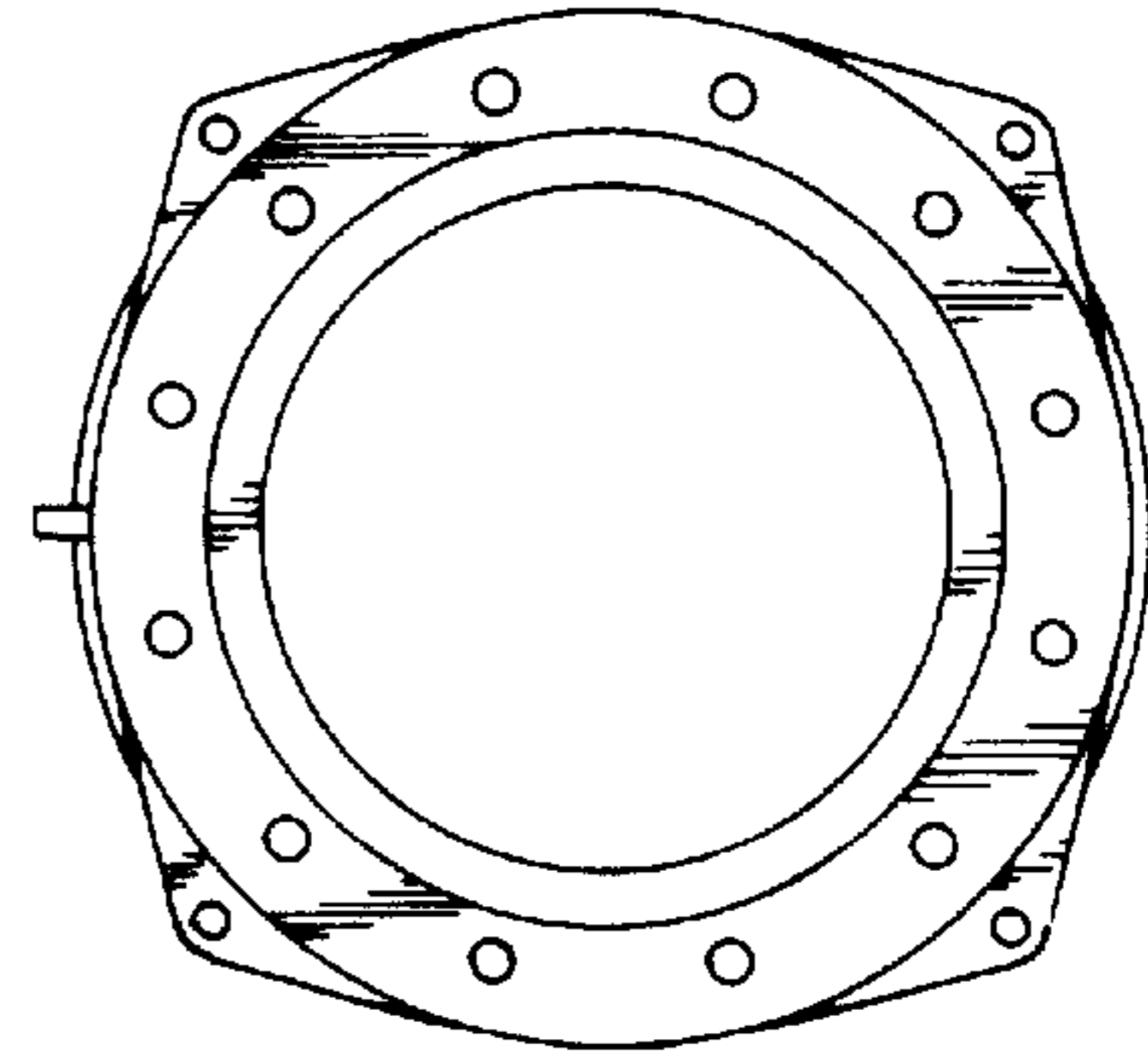


FIG.7

