



US00D424909S

United States Patent [19]

Noblet et al.

[11] Patent Number: Des. 424,909

[45] Date of Patent: ** May 16, 2000

[54] INTERLOCKING DOOR SEAM

[75] Inventors: C. Dale Noblet, San Bernardino, Calif.;
Stephen R. Packer, Las Vegas, Nev.

[73] Assignee: CANAM Marketing Corp., Las Vegas,
Nev.

[**] Term: 14 Years

[21] Appl. No.: 29/094,419

[22] Filed: Sep. 30, 1998

[51] LOC (7) Cl. 08-07

[52] U.S. Cl. D8/343

[58] Field of Search D8/330, 331, 336,
D8/339, 343, 346; 70/91, 101, 102, 416-418;
292/95, 304, 346, 340, DIG. 65

[56] References Cited

U.S. PATENT DOCUMENTS

D. 265,720	8/1982	Harrison	D8/346
D. 375,446	11/1996	Nelson	D8/343
2,049,796	8/1936	Barry	70/16
2,918,319	12/1959	Richardson	292/253
3,271,063	9/1966	Garrett	292/346
3,405,962	10/1968	Sushan	292/346
3,592,498	7/1971	Raccuglia	292/346
4,257,633	3/1981	Rosenberg	292/304
4,345,787	8/1982	Dabrowski	292/346
4,725,084	2/1988	Catricola	292/81
4,751,834	6/1988	Beck	70/452
4,861,082	8/1989	Priola	292/346

5,074,606	12/1991	Priola	292/346
5,395,145	3/1995	Allenbaugh	292/346
5,406,814	4/1995	Zeager	70/102
5,415,020	5/1995	Allenbaugh	70/417
5,566,995	10/1996	Jagiela	292/346
5,641,186	6/1997	Ross	292/95 X
5,752,728	5/1998	Matouschek	292/340
5,771,720	6/1998	Levenson	70/93

Primary Examiner—Joel Sincavage
Assistant Examiner—Jennifer Rivard
Attorney, Agent, or Firm—Cislo & Thomas LLP

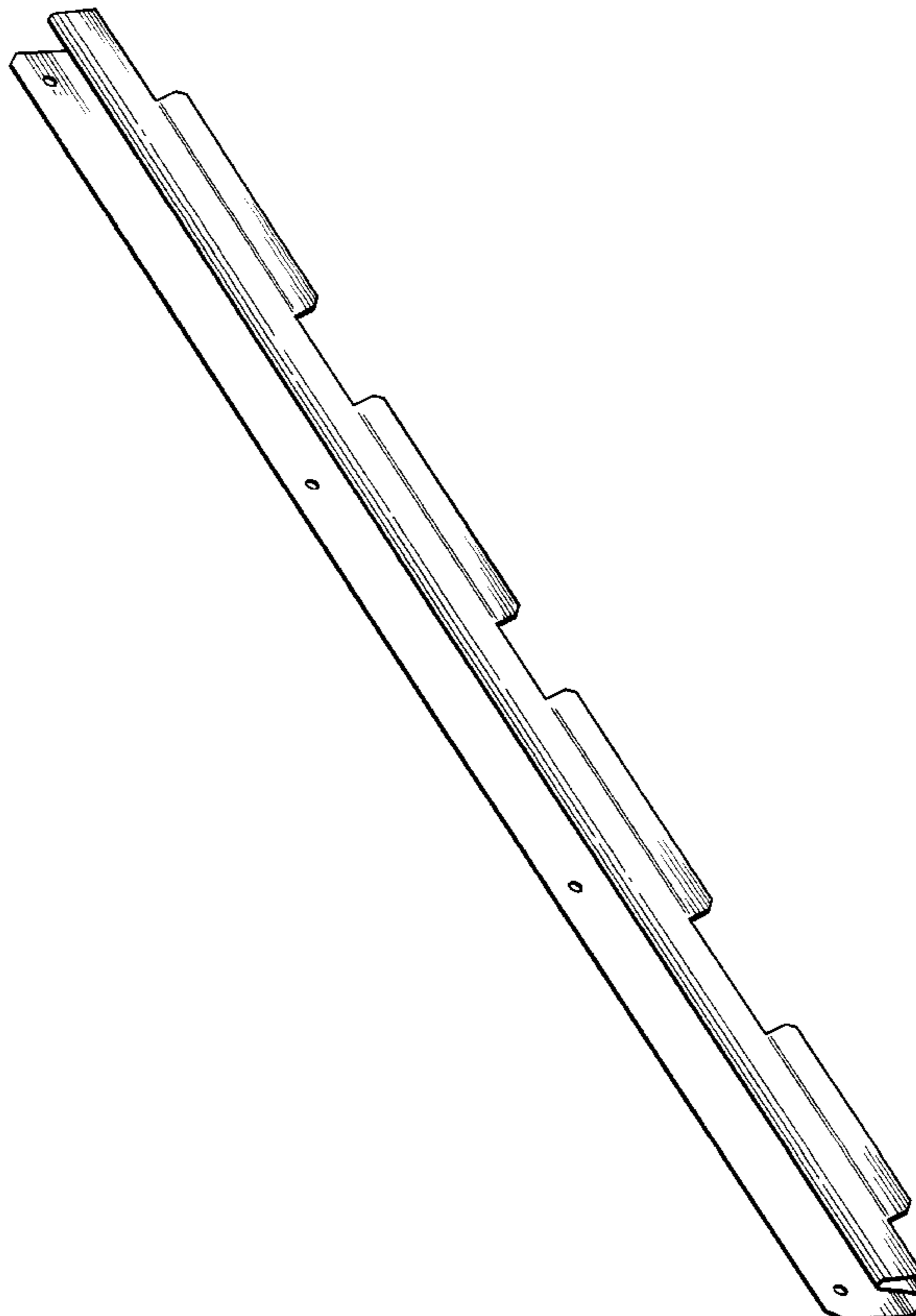
[57] CLAIM

The ornamental design for an interlocking door seam, as shown and described.

DESCRIPTION

FIG. 1 is a perspective view of our interlocking door seam; FIG. 2 is a right side perspective view of our interlocking door seam of FIG. 1 shown in its context of use in conjunction with a mail delivery Cluster Box Unit (CBU), the CBU shown in phantom; FIG. 3 is a top view of the interlocking door seam of FIG. 1; FIG. 4 is a bottom view thereof; FIG. 5 is a rear plan view thereof; FIG. 6 is a front plan view thereof; FIG. 7 is a left side plan view thereof; and, FIG. 8 is a right side plan view thereof. The phantom lines are shown for illustrative purposes only and form no part of the claimed design.

1 Claim, 2 Drawing Sheets



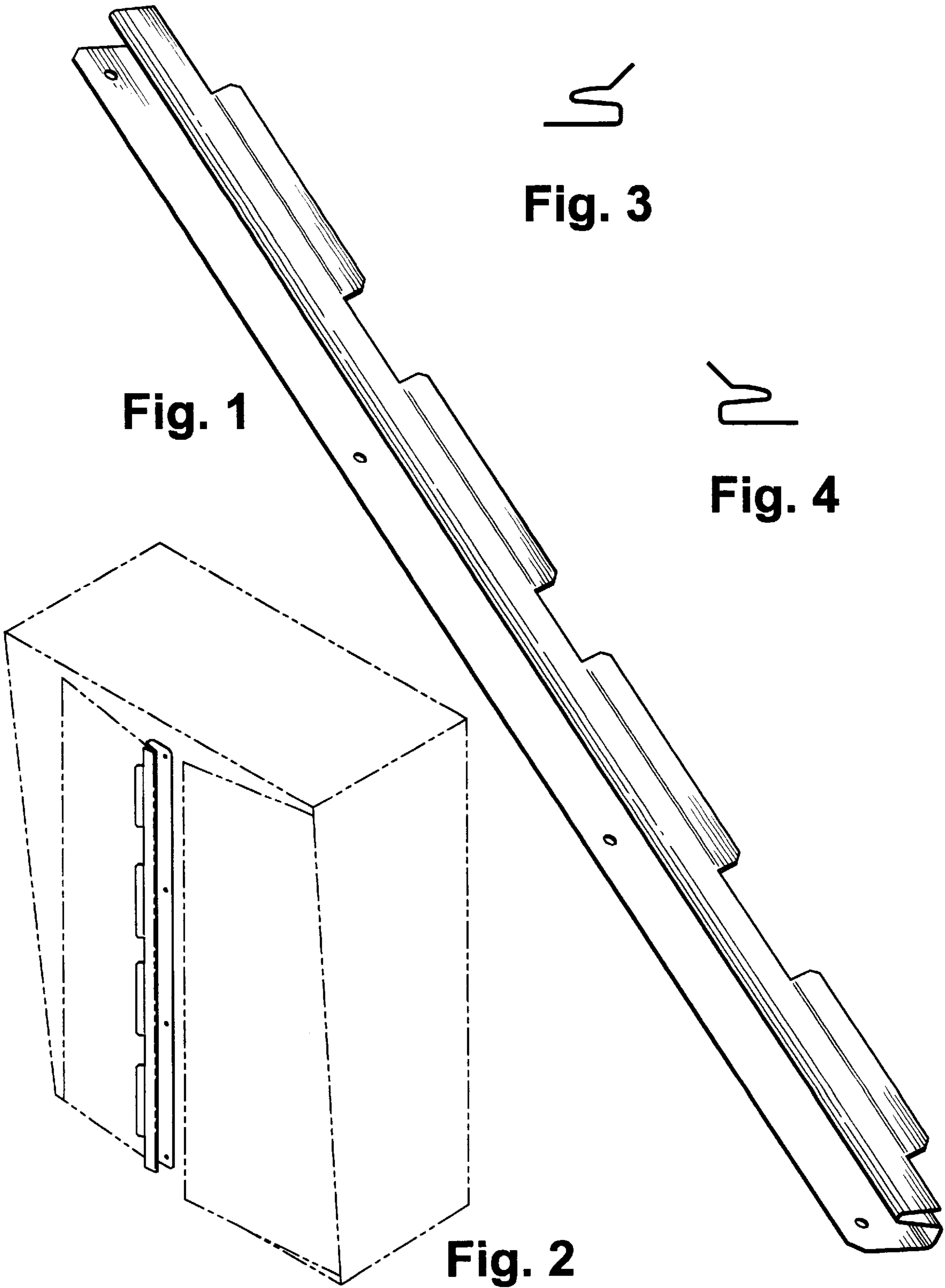


Fig. 1

Fig. 3

Fig. 4

Fig. 2

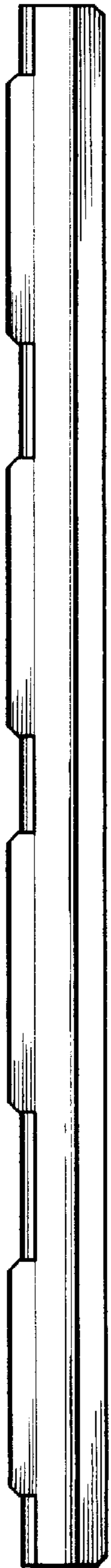


Fig. 5

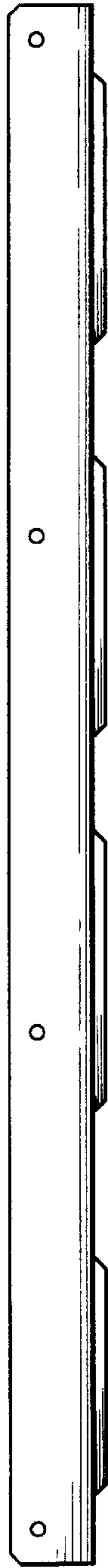


Fig. 6

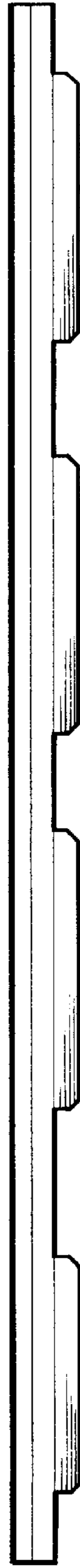


Fig. 7

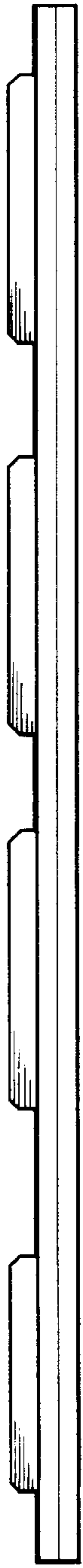


Fig. 8