



US00D424907S

**United States Patent** [19]  
**Wonderley**

[11] **Patent Number: Des. 424,907**

[45] **Date of Patent: \*\* May 16, 2000**

[54] **RETRACTABLE UTILITY KNIFE**

[75] Inventor: **Jeffrey W. Wonderley**, Ft. Defiance, Va.

[73] Assignee: **American Safety Razor**, Verona, Va.

[\*\*] Term: **14 Years**

[21] Appl. No.: **29/104,580**

[22] Filed: **May 7, 1999**

[51] **LOC (7) Cl.** ..... **08-03**

[52] **U.S. Cl.** ..... **D8/99; D8/98**

[58] **Field of Search** ..... D8/98, 99; 30/162, 30/155, 320, 329, 335

[56] **References Cited**

**U.S. PATENT DOCUMENTS**

D. 249,325	9/1978	Rollband	.....	D8/99
D. 311,675	10/1990	Wilson et al.	.....	D8/98
D. 311,854	11/1990	Wilson et al.	.....	D8/98
D. 395,219	6/1998	Ghavami	.....	D8/99
D. 400,774	11/1998	Ghavami	.....	D8/99
D. 413,783	9/1999	Huang	.....	D8/99

*Primary Examiner*—Philip S. Hyder  
*Attorney, Agent, or Firm*—McDermott, Will & Emery

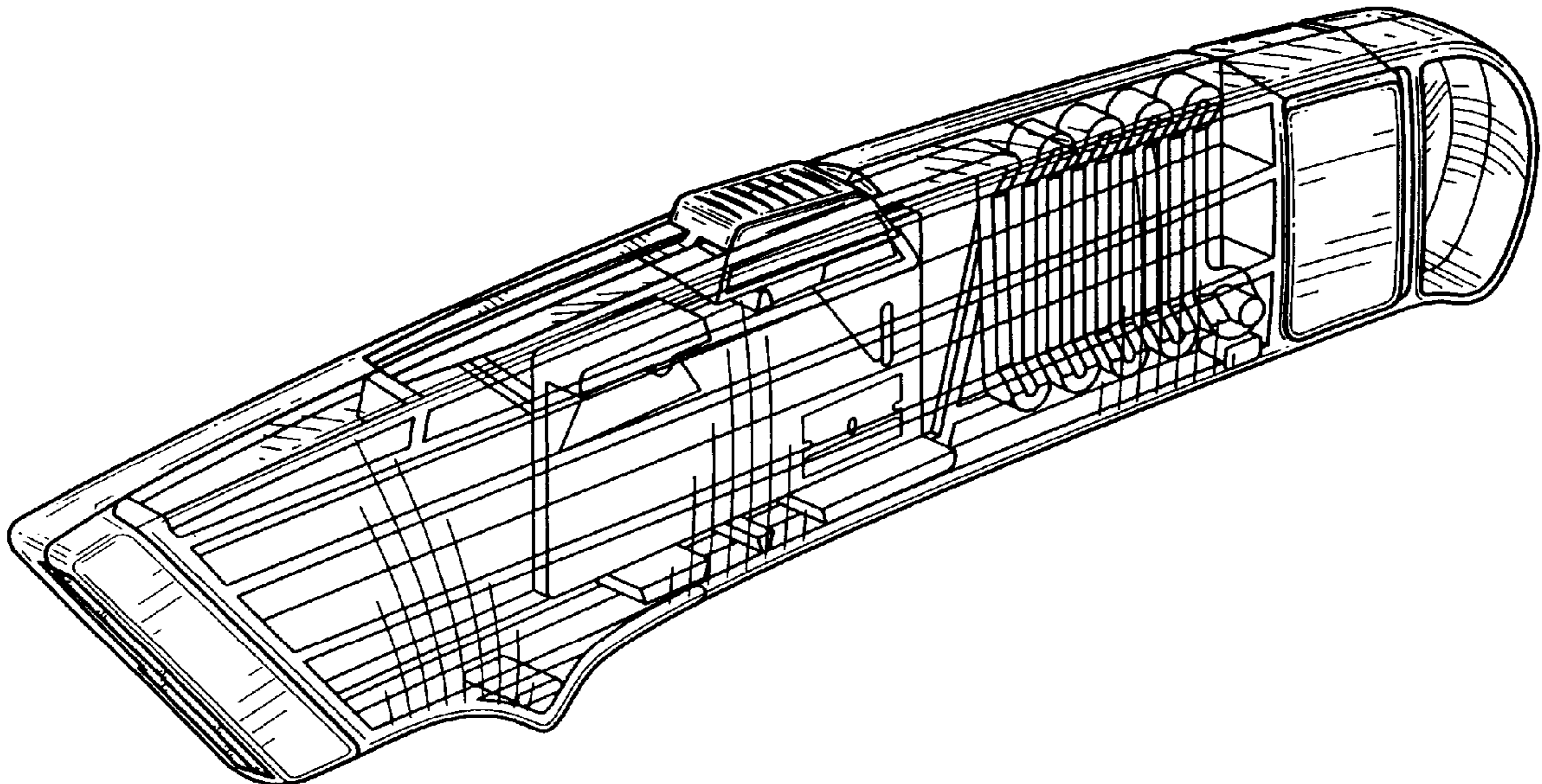
[57] **CLAIM**

The ornamental design for retractable utility knife, as shown and described.

**DESCRIPTION**

FIG. 1 is a front side view showing a retractable utility knife according to the present invention wherein a front portion of a casing of the retractable utility knife is transparent; FIG. 2 is a rear side view showing the retractable utility knife according to the present invention wherein a rear portion of the casing is opaque; FIG. 3 is top plan view of the retractable utility knife according to the present invention; FIG. 4 is a bottom plan view of the retractable utility knife according to the present invention; FIG. 5 is a front end view of the retractable utility knife according to the present invention; FIG. 6 is a rear end view of the retractable utility knife according to the present invention; and, FIG. 7 is a perspective view of the retractable utility knife according to the present invention.

**1 Claim, 4 Drawing Sheets**



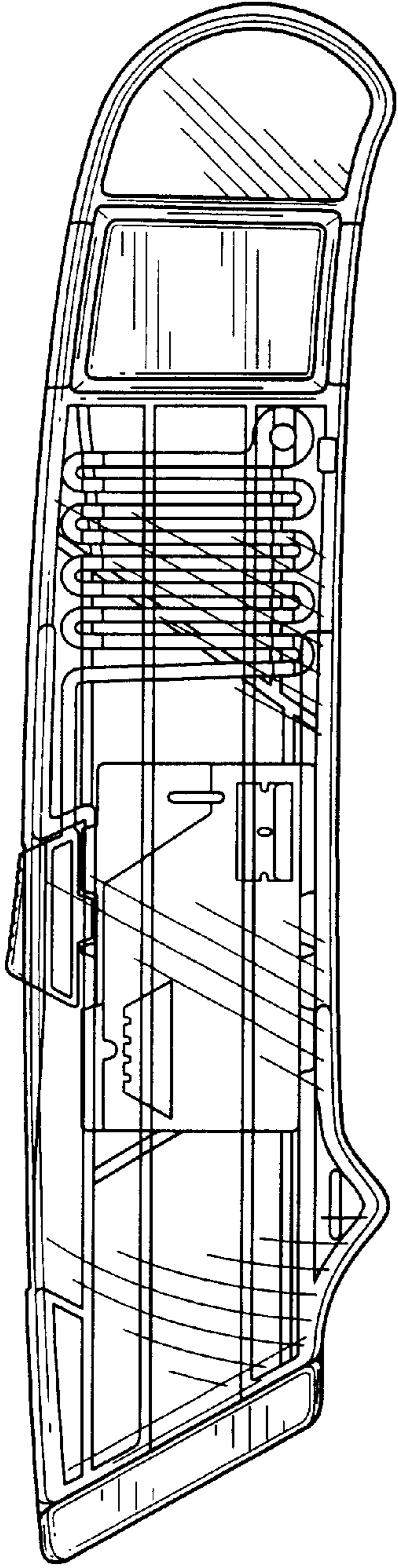


FIG. 1

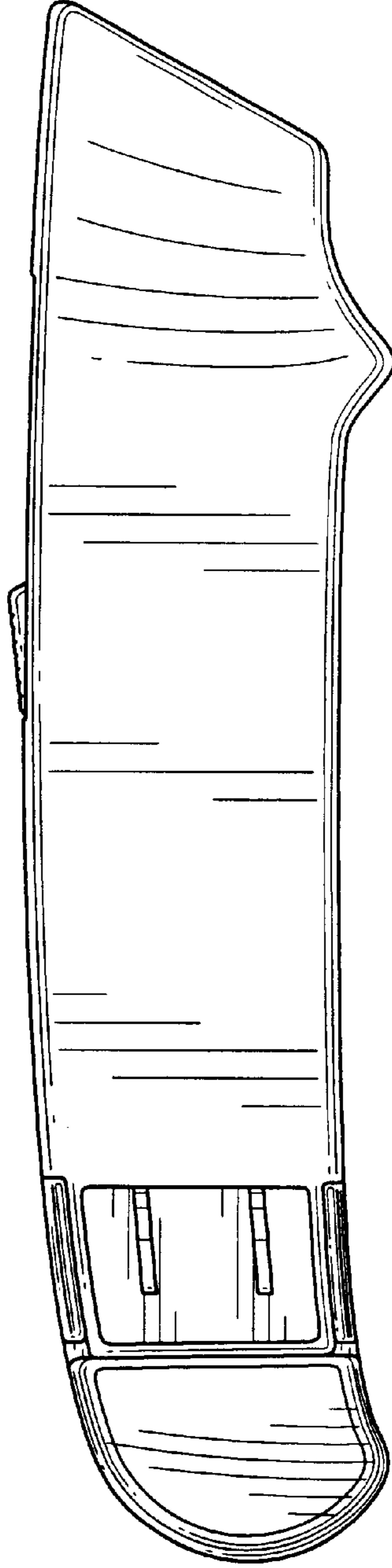


FIG. 2

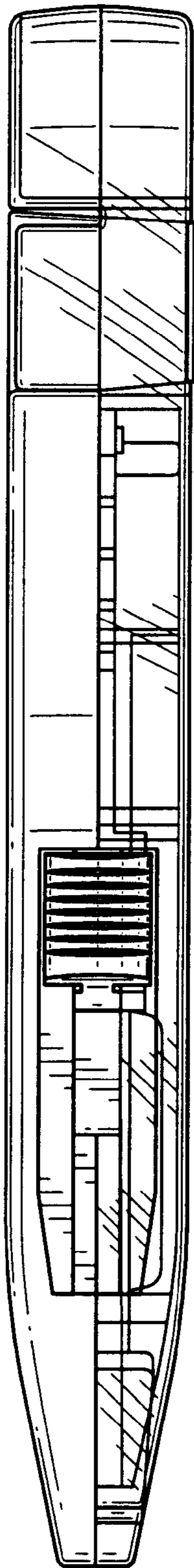


FIG. 3

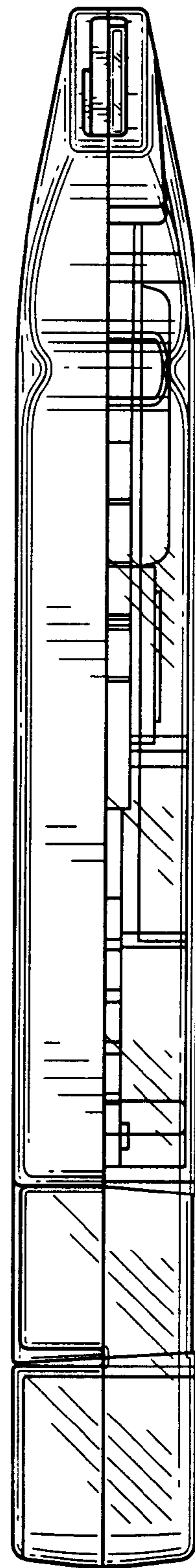


FIG. 4

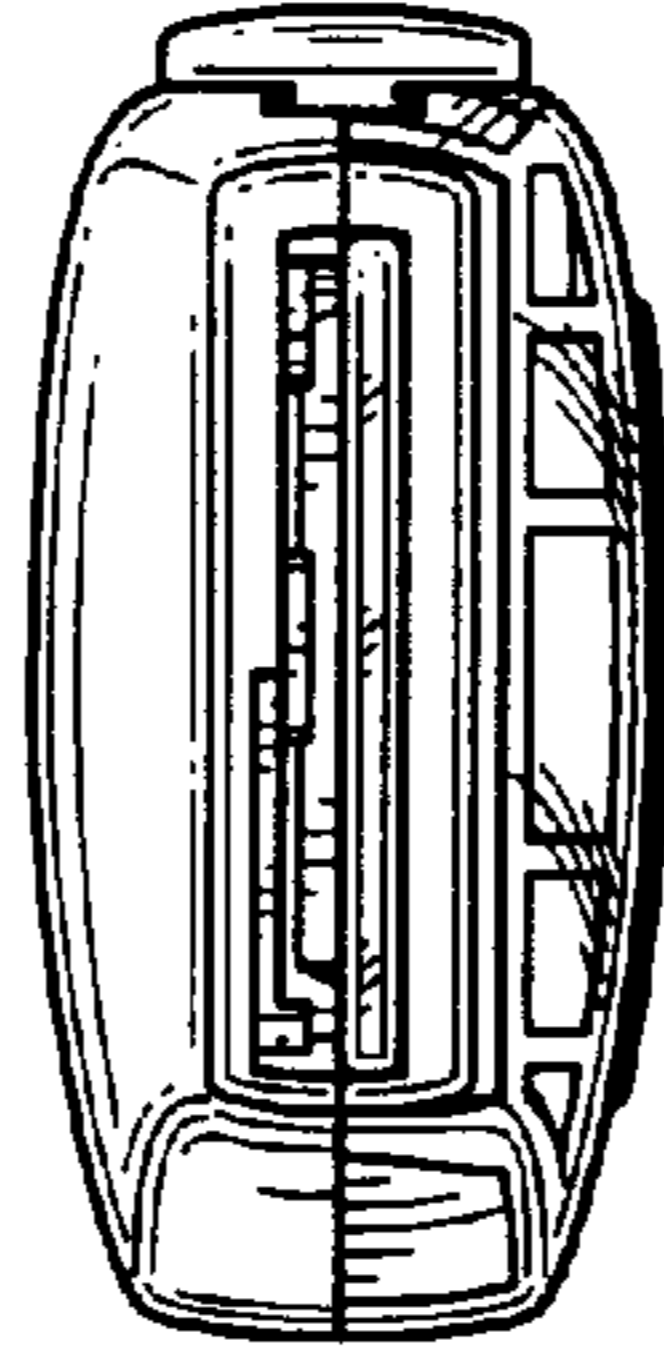


FIG. 5

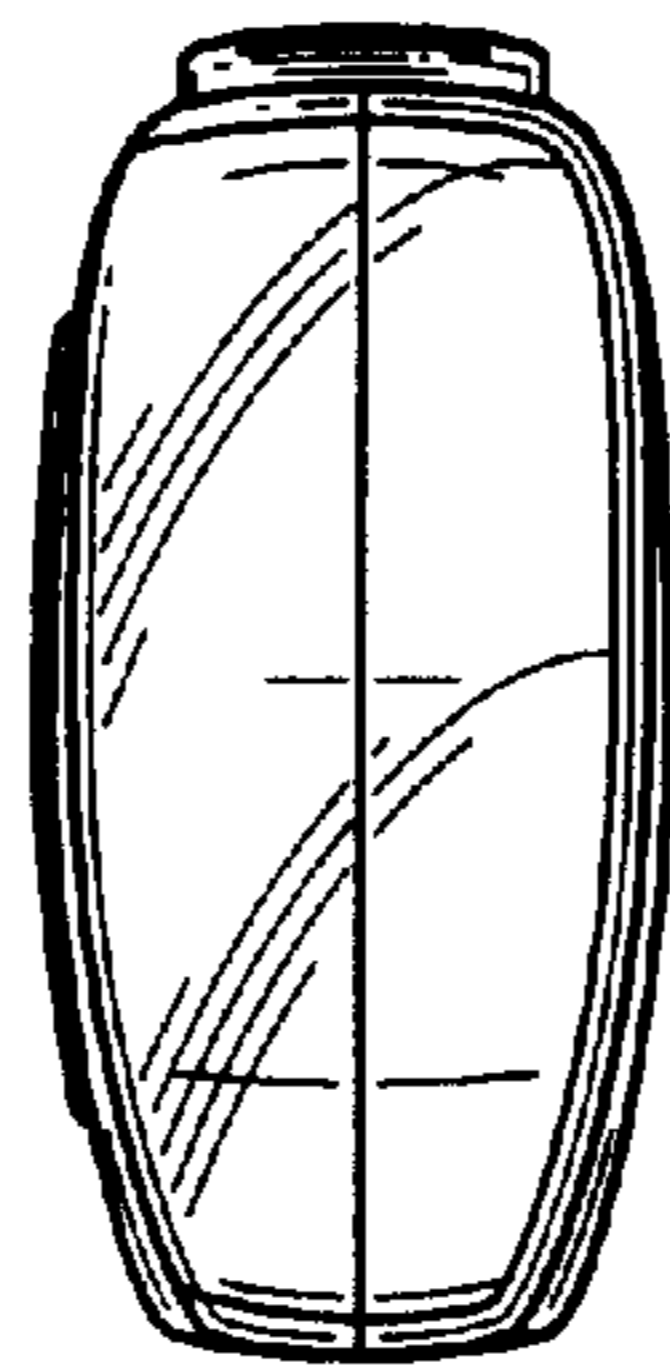


FIG. 6

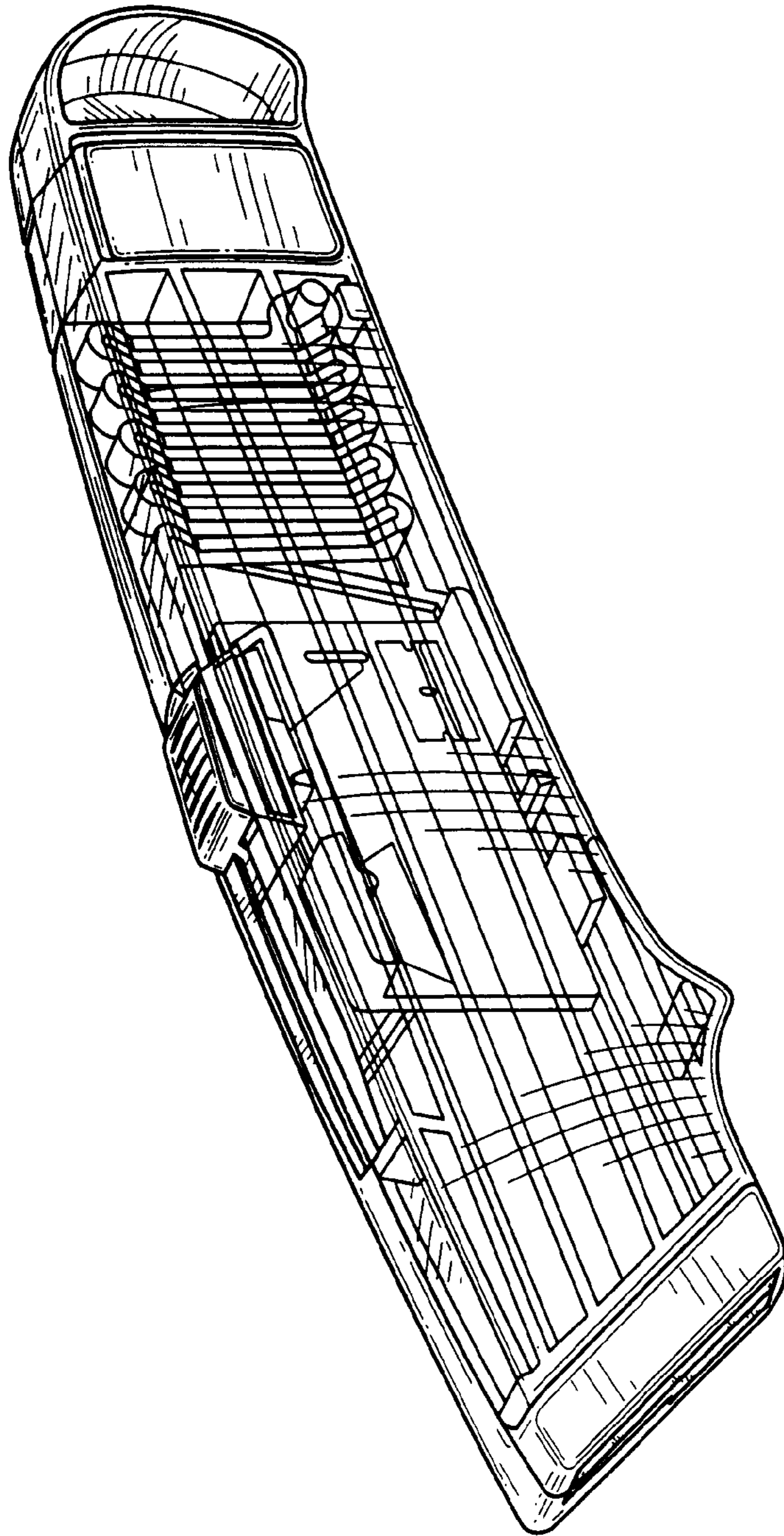


FIG. 7