



US00D424905S

# United States Patent [19]

Sankuer

[11] **Patent Number: Des. 424,905**

[45] **Date of Patent: \*\* May 16, 2000**

[54] **BRAKE TOOL**

[76] Inventor: **Raymond Sankuer**, 7361 Flamingo, Algonac, Mich. 48001

[\*\*] Term: **14 Years**

[21] Appl. No.: **29/102,710**

[22] Filed: **Mar. 30, 1999**

[51] **LOC (7) Cl. .... 08-05**

[52] **U.S. Cl. .... D8/88; D8/89; D8/14**

[58] **Field of Search .... D8/88, 89, 14, D8/367, 370; 29/225, 226, 227, 267; 254/25; 16/110 R**

[56] **References Cited**

**U.S. PATENT DOCUMENTS**

- D. 269,497 6/1983 Rogowsky ..... D8/88
- D. 276,977 1/1985 Gunnells ..... D8/373
- D. 405,682 2/1999 Suher ..... D8/370

- 2,042,287 5/1936 Allievi et al. .... 29/227
- 2,441,696 5/1948 Feingold ..... 29/227
- 4,976,022 12/1990 Thornton et al. .... 29/227
- 5,237,729 8/1993 Martin ..... 29/227

*Primary Examiner*—Philip S. Hyder  
*Attorney, Agent, or Firm*—Young & Basile, P.C.

[57] **CLAIM**

The ornamental design for a brake tool, as shown and described.

**DESCRIPTION**

FIG. 1 is a plan view of the brake tool embodying the ornamental design constituting my invention; FIG. 2 is a front elevational view thereof; FIG. 3 is a left side elevational view thereof; FIG. 4 is a rear view thereof; FIG. 5 is a right side elevational view thereof; and, FIG. 6 is a bottom view thereof.

**1 Claim, 1 Drawing Sheet**

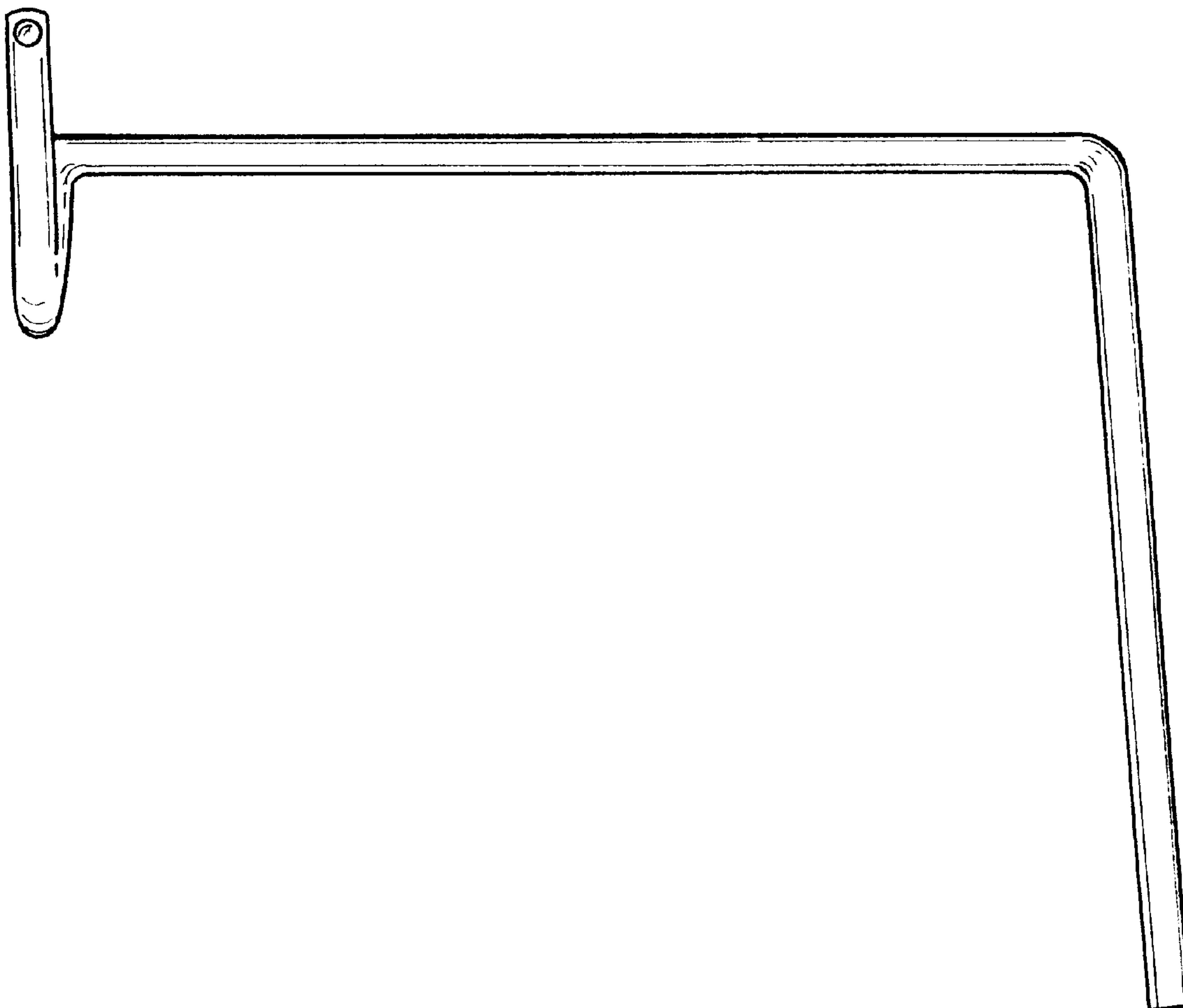


FIG - 1

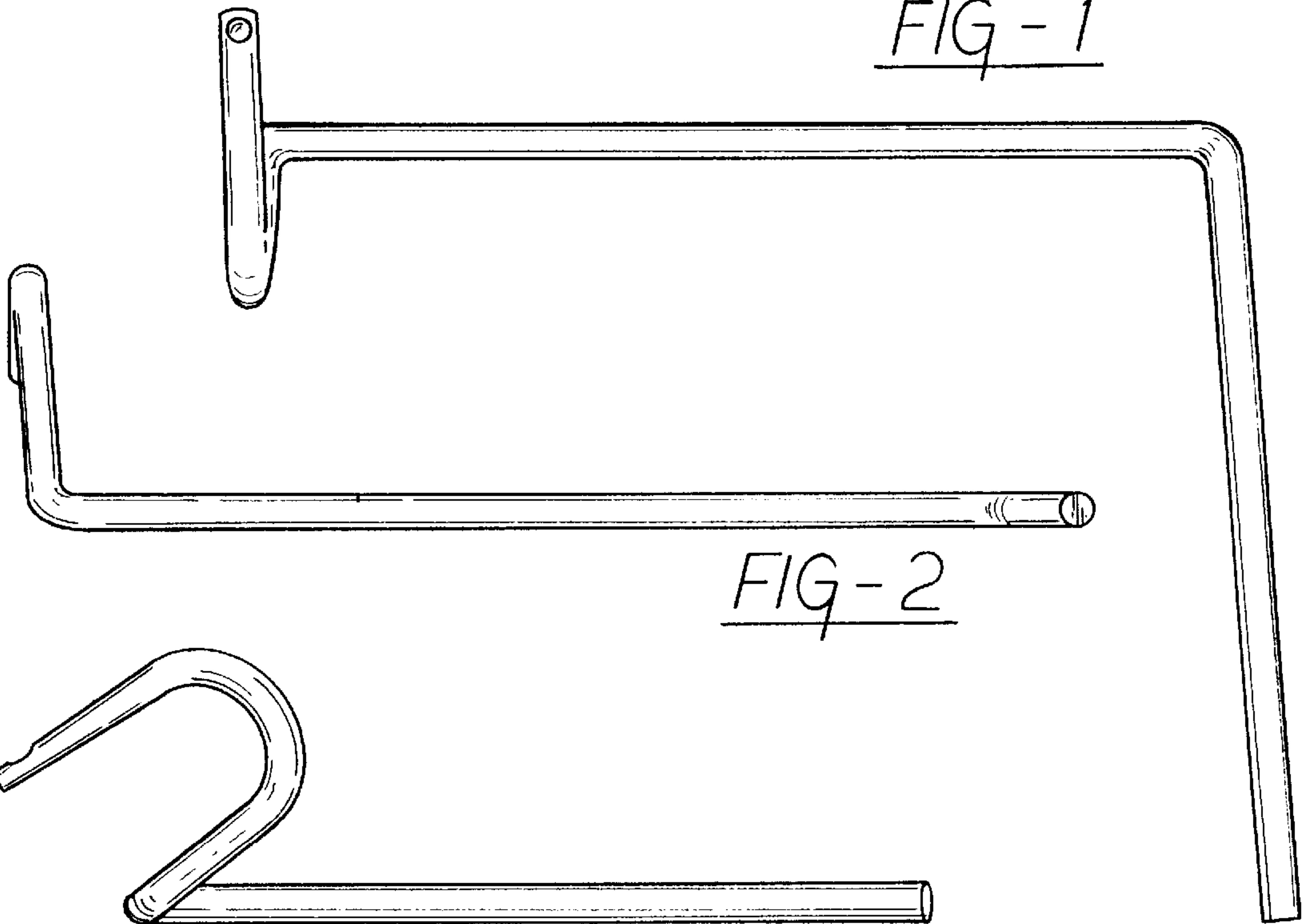


FIG - 2

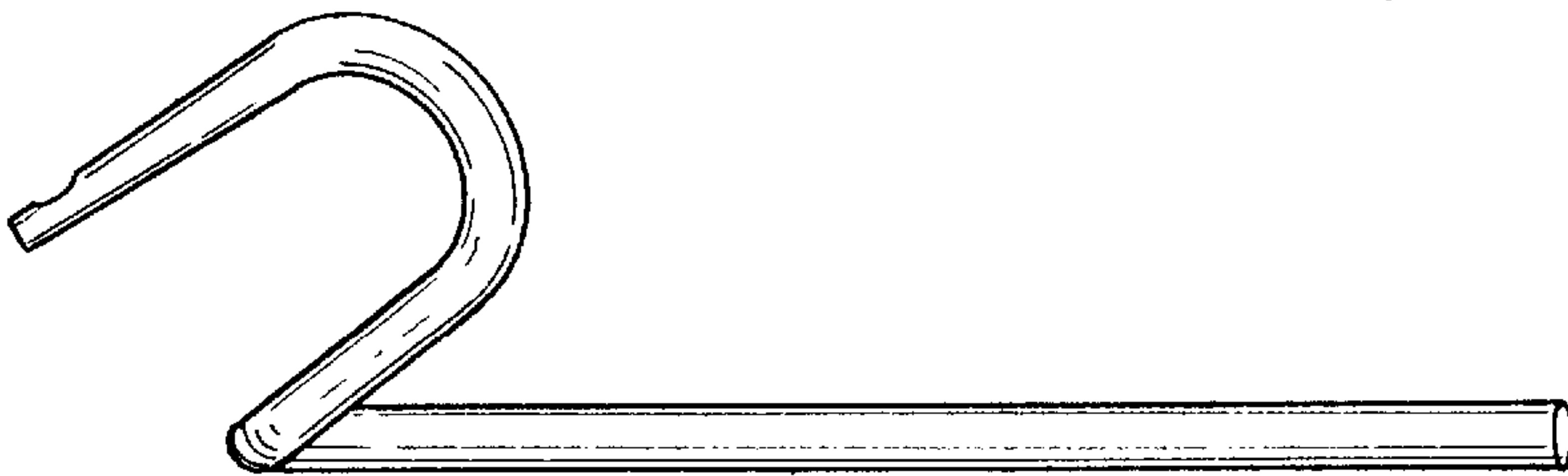


FIG - 3

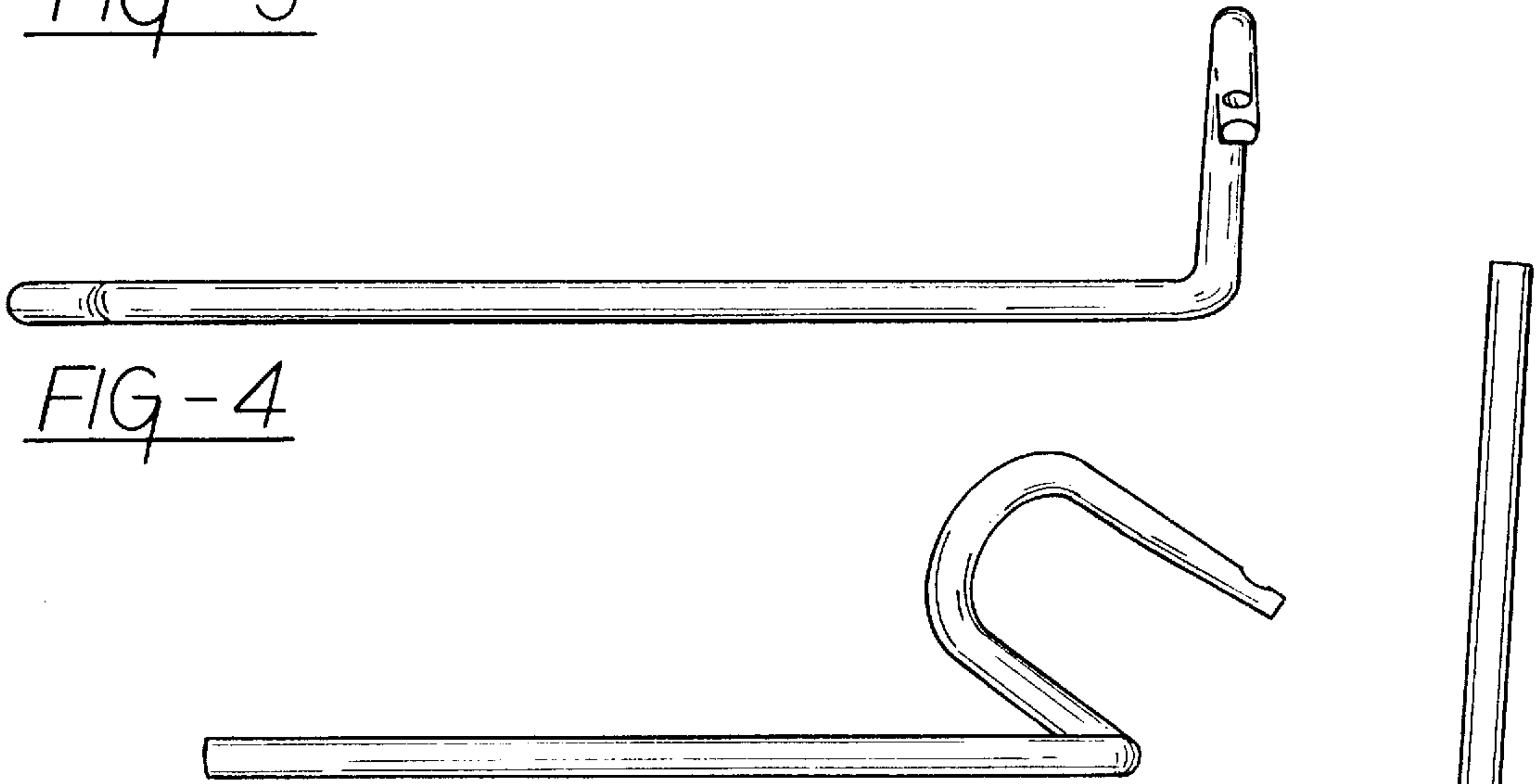


FIG - 4

FIG - 5

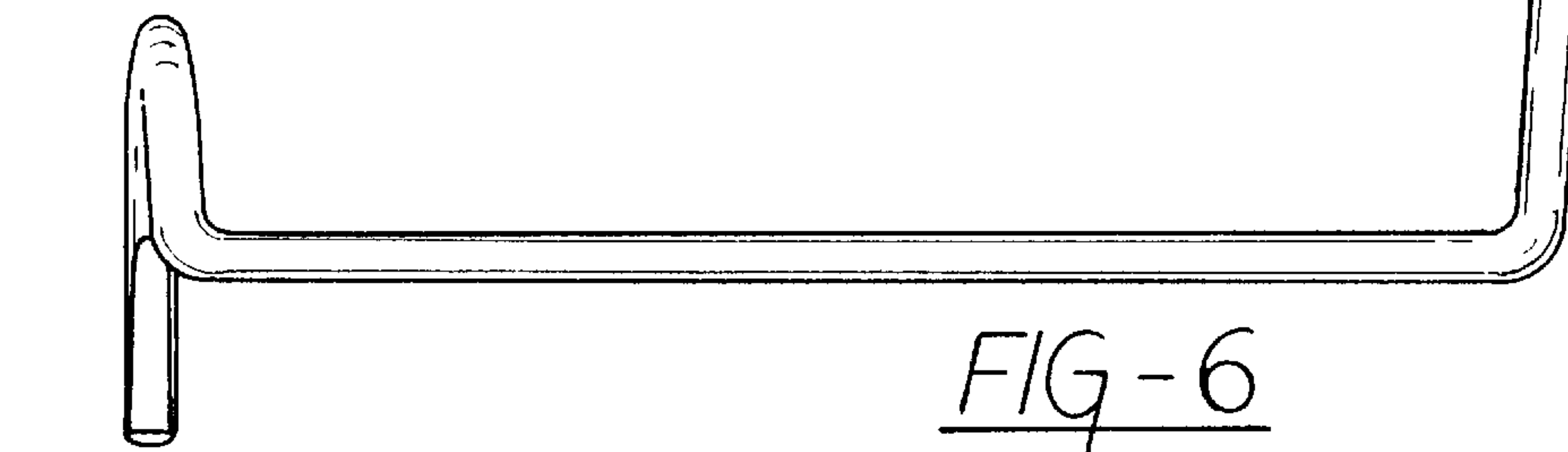


FIG - 6