



US00D424902S

United States Patent [19]
Gildersleeve et al.

[11] **Patent Number: Des. 424,902**

[45] **Date of Patent: ** May 16, 2000**

[54] **FASTENING TOOL**

[75] Inventors: **Paul Gildersleeve; Donald W. Zurwelle**, both of Lutherville, Md.

[73] Assignee: **Black & Decker Inc.**, Newark, Del.

[**] Term: **14 Years**

[21] Appl. No.: **29/077,167**

[22] Filed: **Sep. 3, 1997**

Related U.S. Application Data

[63] Continuation of application No. 29/042,860, Aug. 10, 1995, abandoned.

[51] **LOC (7) Cl.** **08-01**

[52] **U.S. Cl.** **D8/68**

[58] **Field of Search** D8/61, 68; 81/54, 81/57.11, 57.13, 57.14, 177.4; 173/170; 239/525, 526, 527, 528, 589; 408/124, 125

[56] **References Cited**

U.S. PATENT DOCUMENTS

D. 295,714	5/1988	Sasaki et al.	D8/68
D. 296,412	6/1988	Nelson et al.	D8/68
D. 303,204	9/1989	Marks	D8/68
D. 303,488	9/1989	Fonck	D8/68
D. 315,282	3/1991	Schmidt et al.	D8/68
D. 320,917	10/1991	Fushiya et al.	D8/68
D. 331,356	12/1992	Amsberry	D8/68
D. 335,073	4/1993	Anthony et al.	D8/68
D. 339,046	9/1993	Fushiya et al.	D8/68
D. 340,394	10/1993	Okumura	D8/68
D. 344,000	2/1994	Shibata et al.	D8/68
D. 359,215	6/1995	Zurwelle	D8/68
D. 362,167	9/1995	Zurwelle	D8/68
D. 364,463	11/1995	Pitzen et al.	D8/68

D. 368,009	3/1996	Zurwelle	D8/68
D. 368,214	3/1996	Zurwelle	D8/68
5,213,913	5/1993	Anthony, III et al.	30/DIG. 1

OTHER PUBLICATIONS

Hitachi Power Tools Catalog, Copyright 1993, pp. 6-9 (Ex. A).

Hitachi Power Tools Catalog, (Date Unknown), pp. 6-8 (Ex. B).

Makita Catalog, (Date Unknown), (Ex. C).

Makita Catalog, Copyright 1990, (Ex. D).

Milwaukee Heavy-Duty Electric Tools Catalog, (Date Unknown), p. 18 (Ex. E).

Panasonic Cordless Professional Power Tools, Published on or before Aug. 15, 1989 (Ex. F).

Panasonic Cordless Professional Power Tools Catalog, Published on or before Aug. 17, 1993 (Ex. G).

Primary Examiner—Robert M. Spear

Attorney, Agent, or Firm—Dennis A. Dearing; John D. Del Ponti; Bruce S. Shapiro

[57] **CLAIM**

The ornamental design for a fastening tool, as shown and described.

DESCRIPTION

FIG. 1 is a perspective view taken from the top and right side of a fastening tool showing my new design.

FIG. 2 is a perspective view taken from the bottom and left side thereof.

FIG. 3 is a left side elevational view thereof.

FIG. 4 is a right side elevational view thereof.

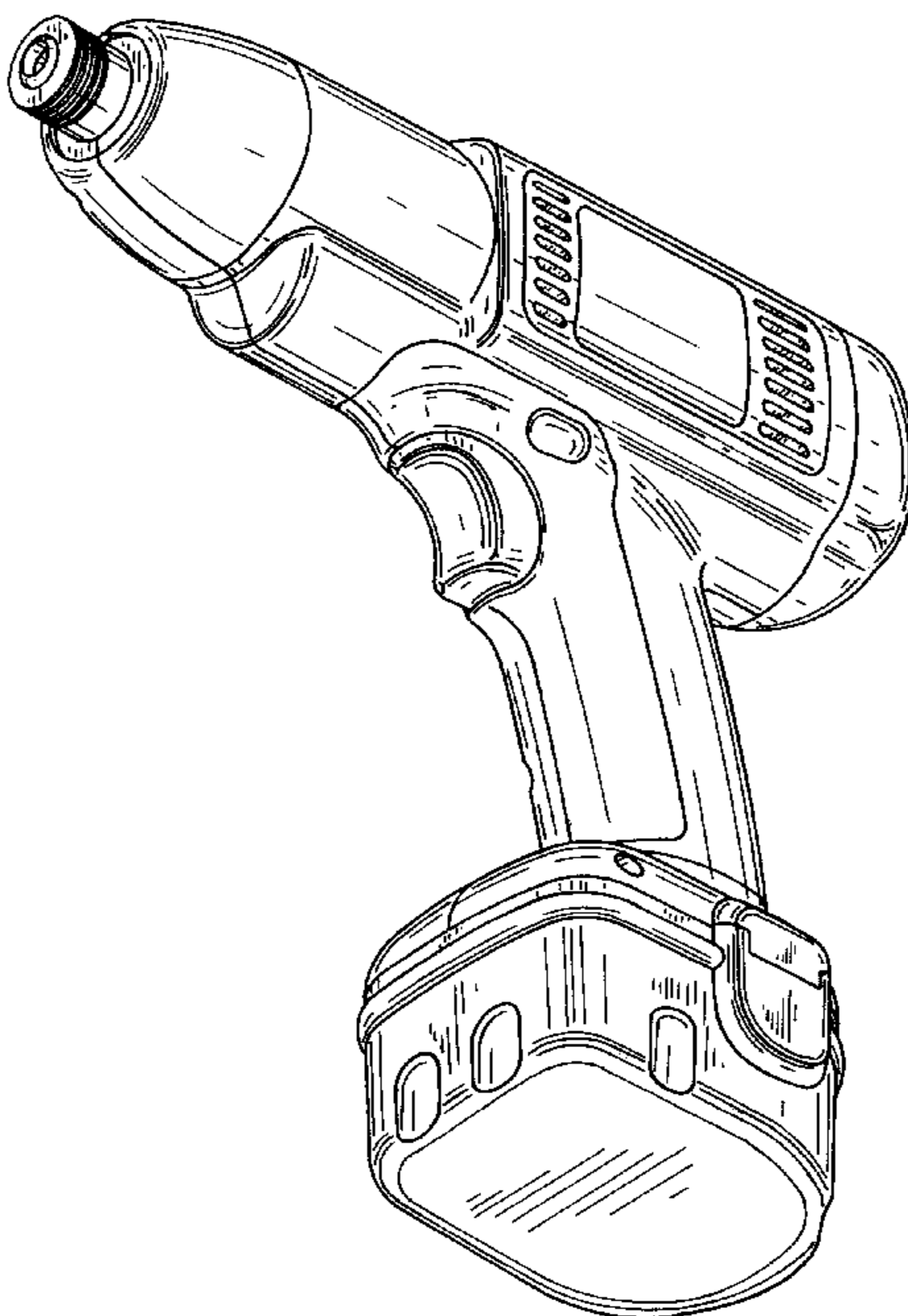
FIG. 5 is a front elevational view thereof.

FIG. 6 is a rear elevational view thereof.

FIG. 7 is a top plan view thereof; and,

FIG. 8 is a bottom plan view thereof.

1 Claim, 6 Drawing Sheets



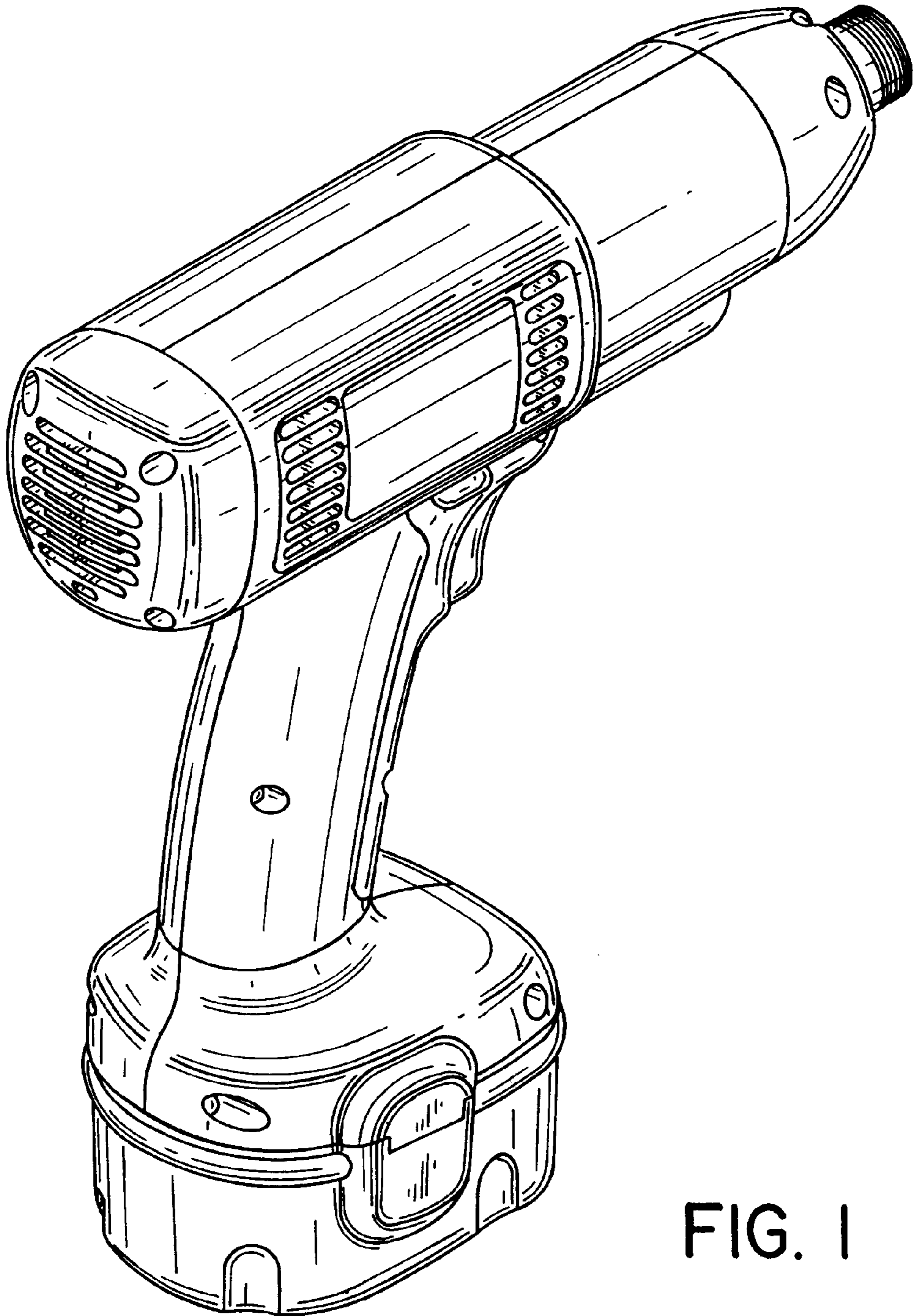


FIG. 1

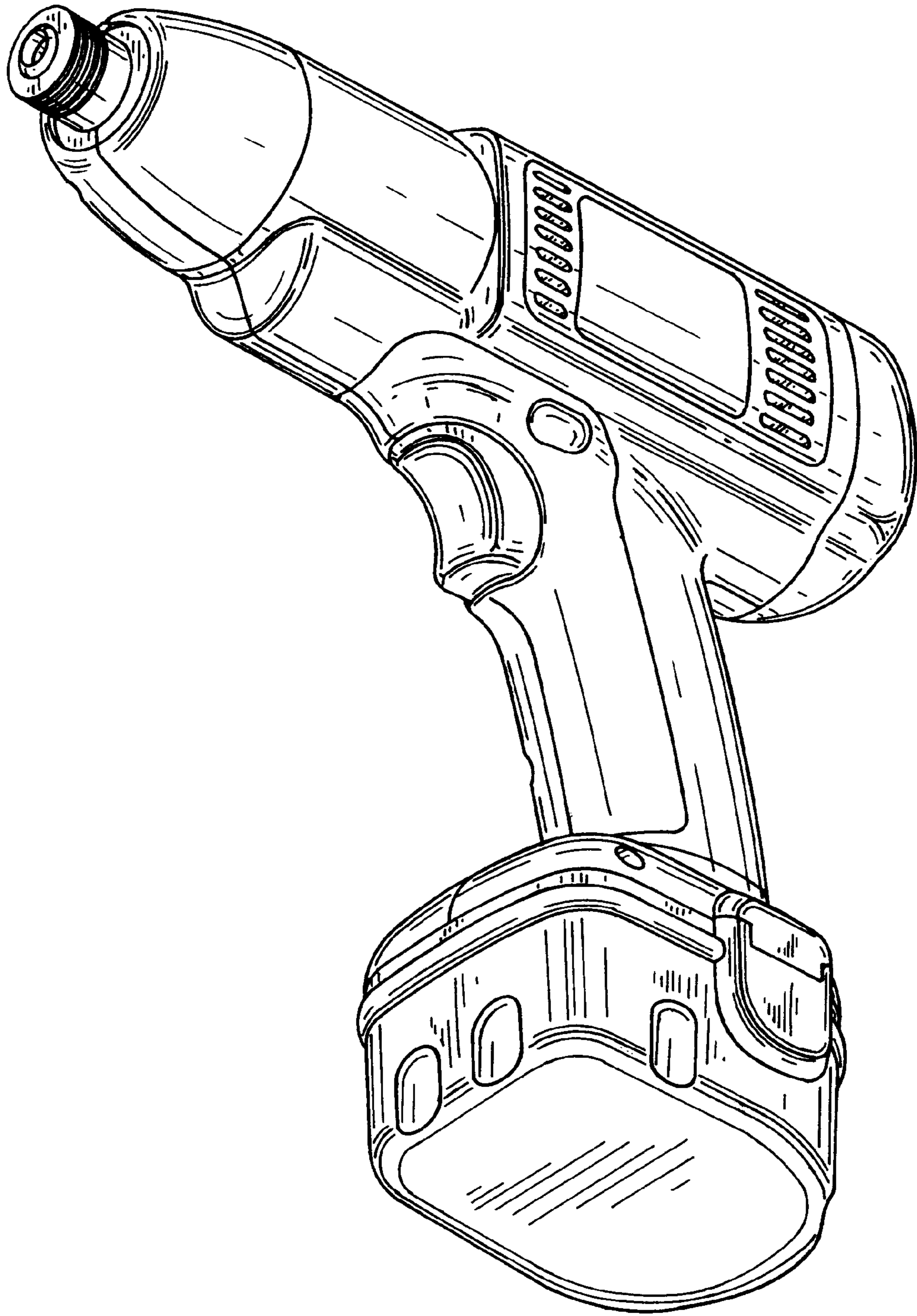
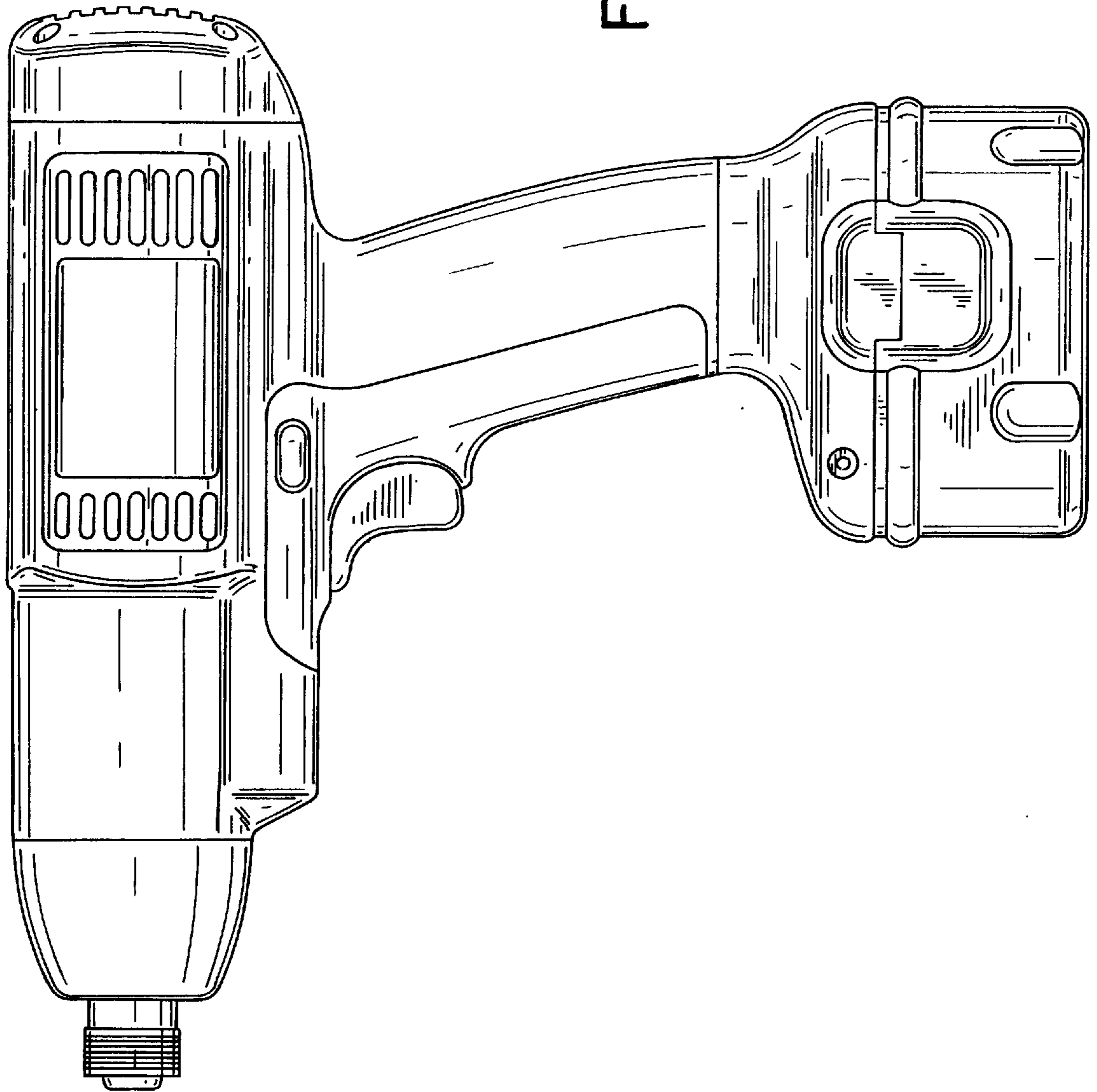


FIG. 2

FIG. 3



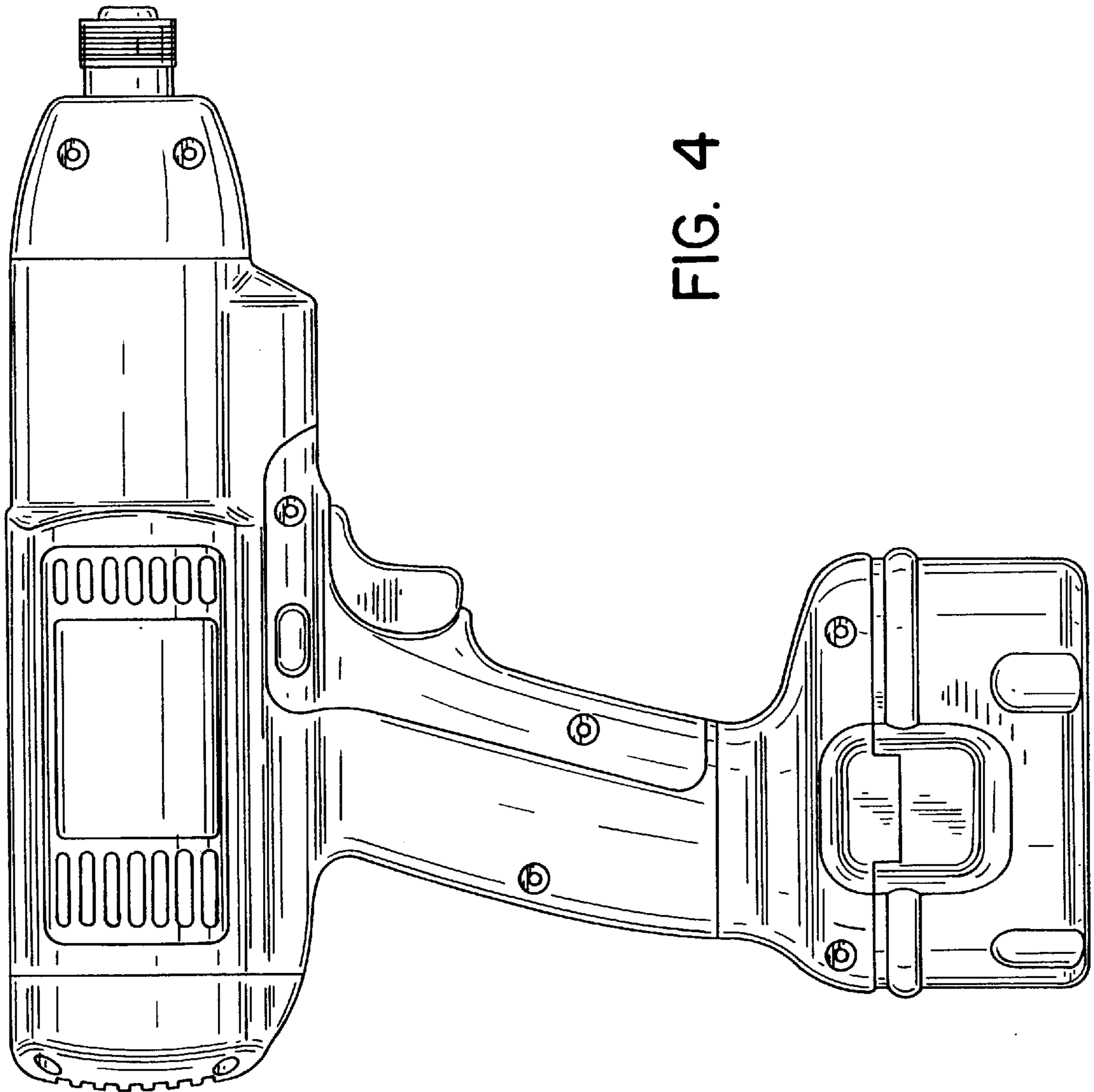


FIG. 4

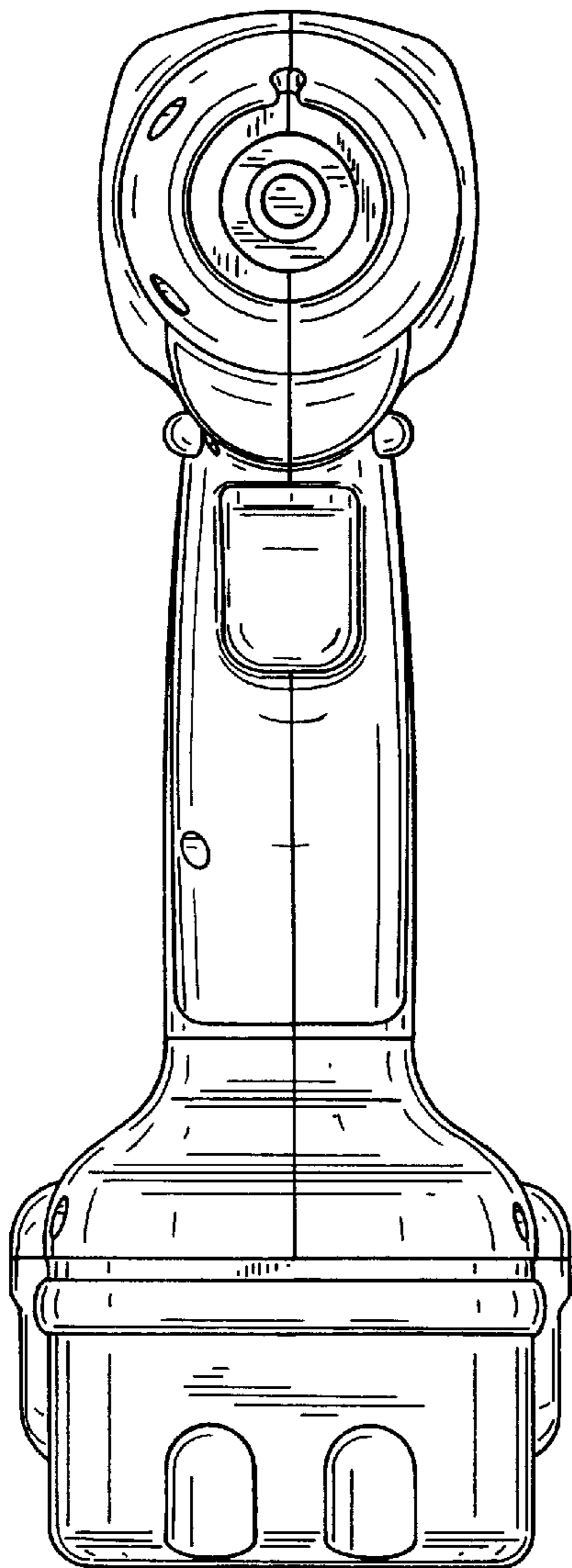


FIG. 5

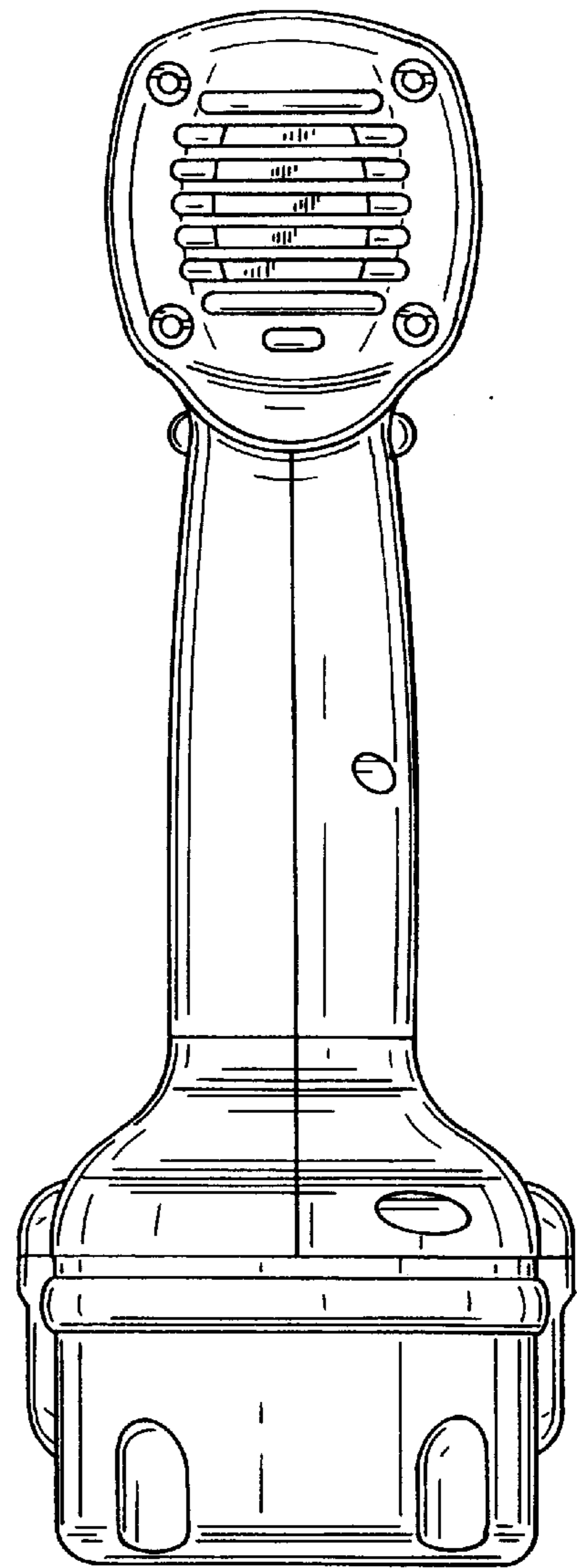


FIG. 6

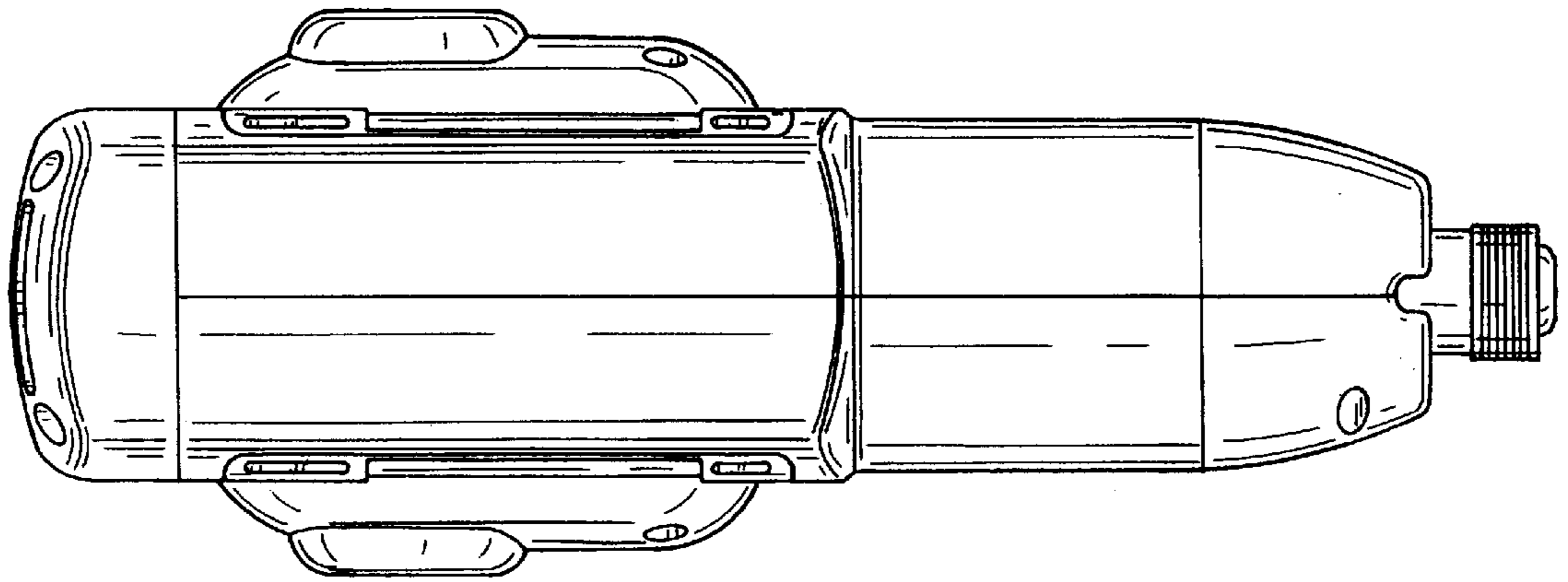


FIG. 7

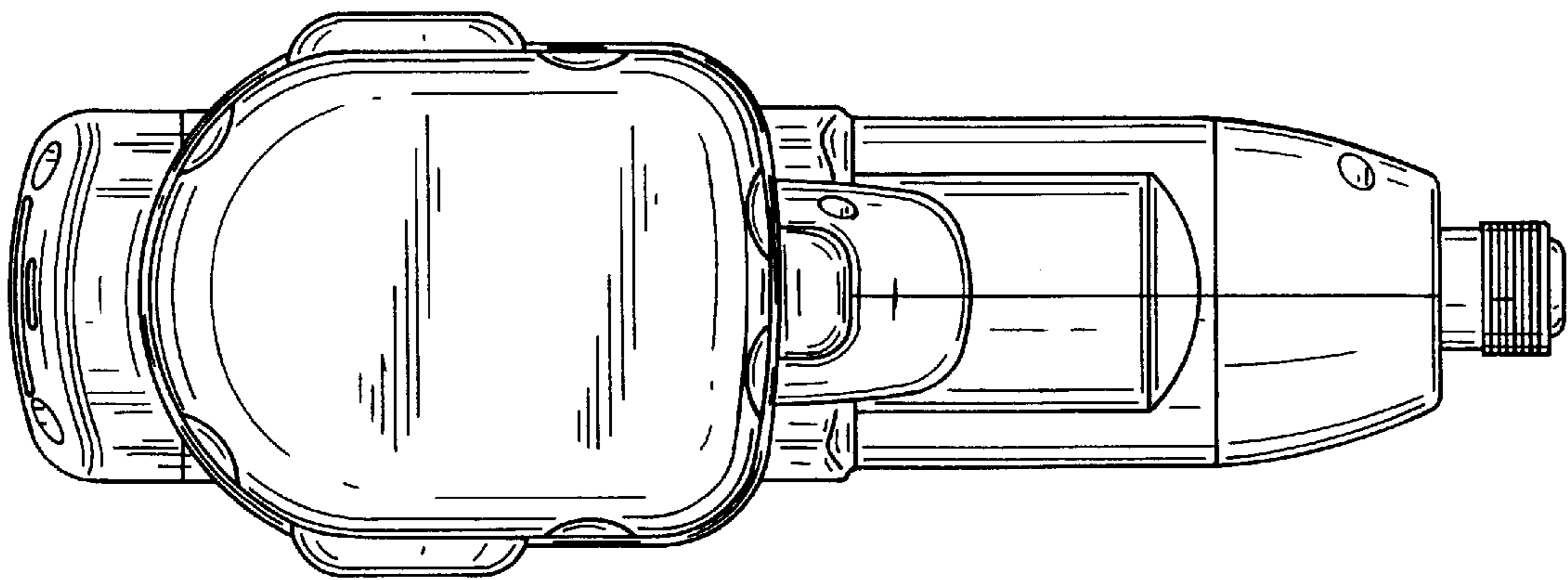


FIG. 8