



US00D424898S

United States Patent [19]

Wilson et al.

[11] Patent Number: Des. 424,898

[45] Date of Patent: ** May 16, 2000

[54] STAPLER

[75] Inventors: **Scott Wilson**, Chicago; **Sumir Kapur**, Oak Park; **Steve Berry**, Plainfield; **Timothy McKeown**, Glen Ellyn, all of Ill.

[73] Assignee: **ACCO Brands, Inc.**, Lincolnshire, Ill.

[**] Term: **14 Years**

[21] Appl. No.: **29/082,783**

[22] Filed: **Jan. 30, 1998**

[51] **LOC (7) Cl.** **19-02**

[52] **U.S. Cl.** **D8/50**

[58] **Field of Search** D8/49, 50, 61, D8/69; D19/72; 227/120, 127, 128, 131, 132, 134, 156

[56] References Cited

U.S. PATENT DOCUMENTS

| | | | | |
|------------|---------|---------------|-------|---------|
| D. 175,094 | 7/1955 | Ruskin | | D8/50 |
| D. 186,342 | 10/1959 | Marano | | D8/50 |
| D. 401,825 | 12/1998 | Parsey et al. | | D8/49 |
| 4,925,082 | 3/1990 | Kim | | 227/120 |

Primary Examiner—Adir Aronovich
Attorney, Agent, or Firm—Pennie & Edmonds LLP

[57] CLAIM

The ornamental design for a stapler, as shown and described.

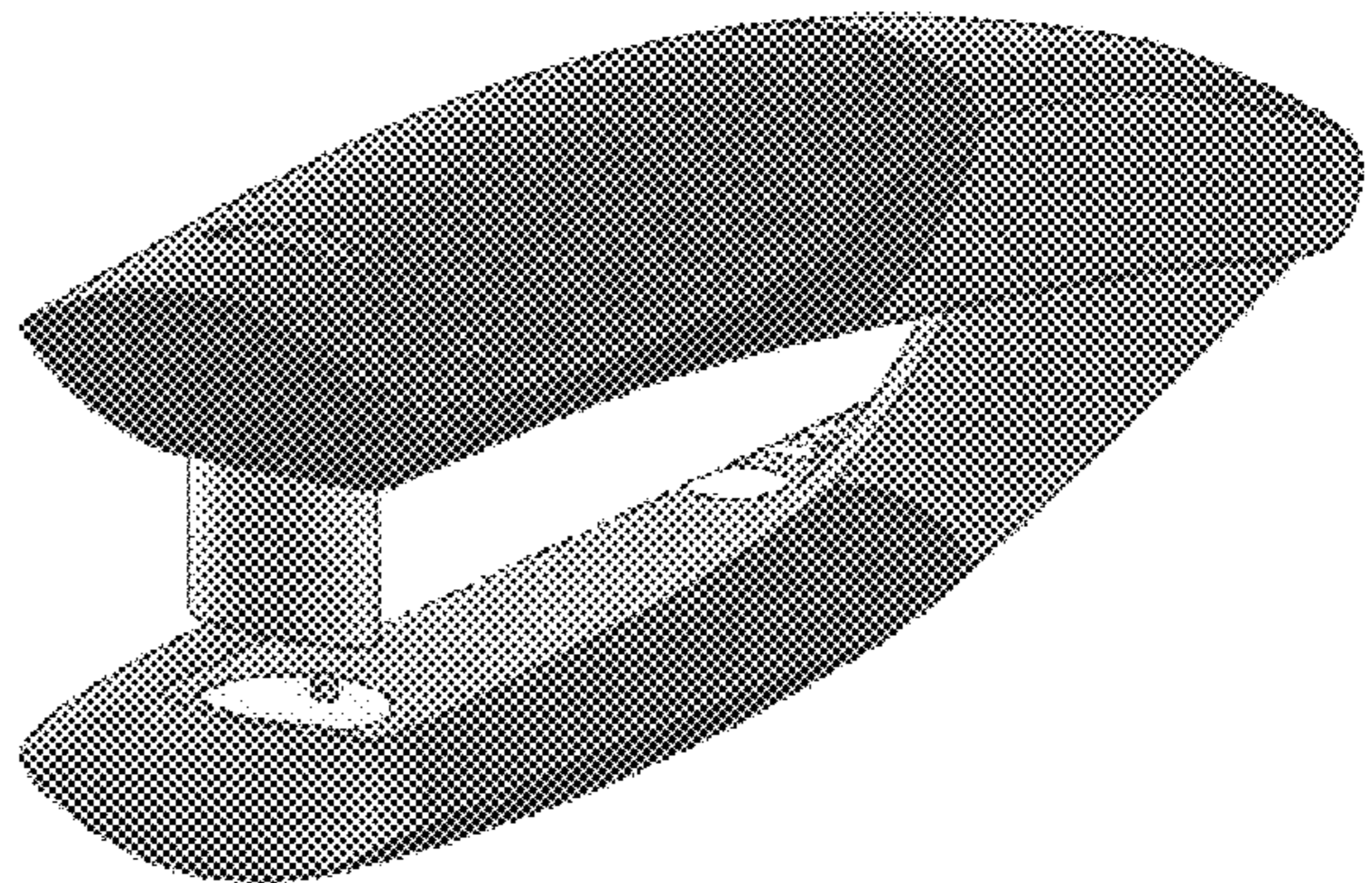
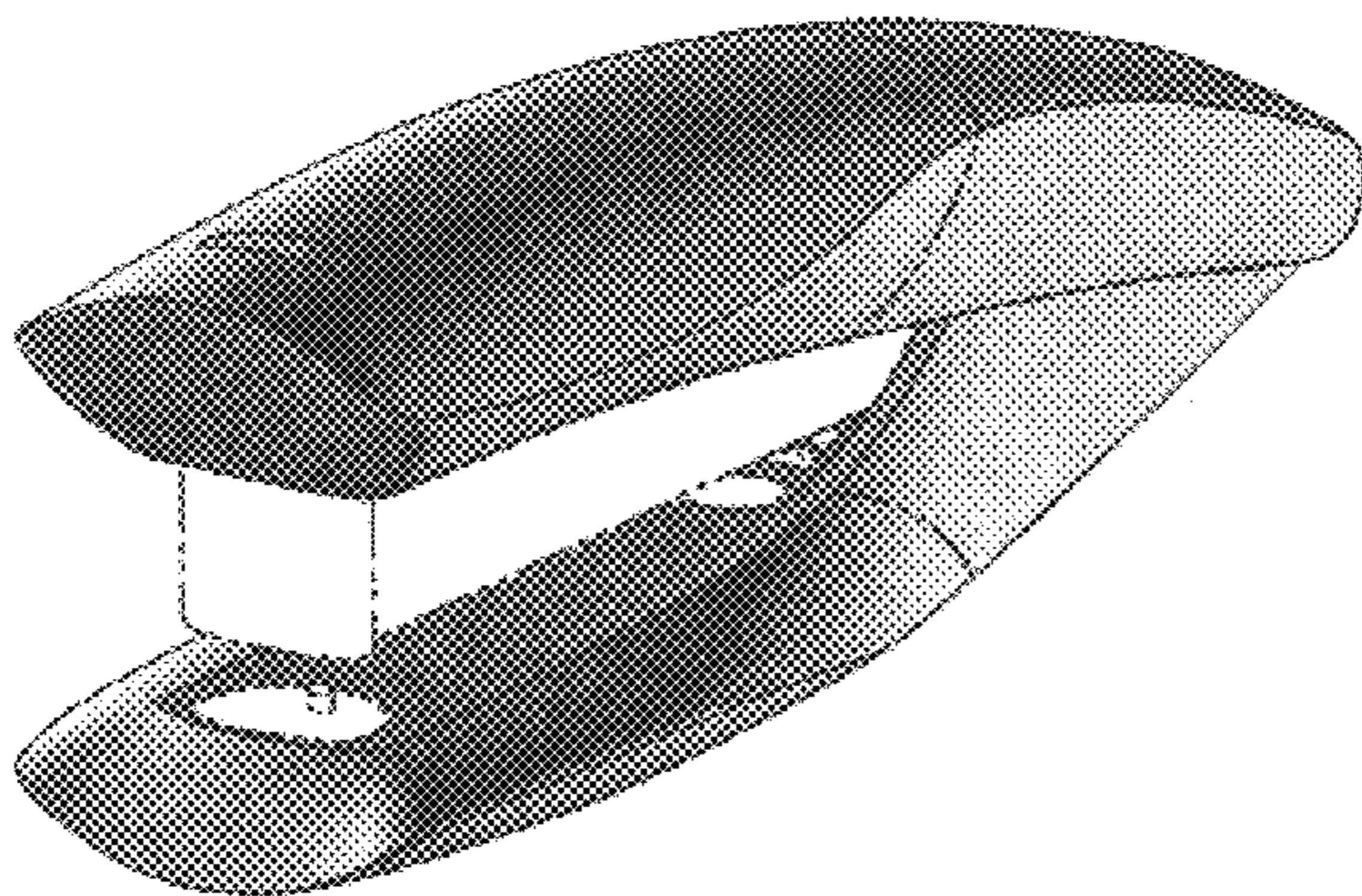
DESCRIPTION

FIG. 1 is a perspective view of one embodiment of the stapler showing our new design;
 FIG. 2 is a top view thereof;
 FIG. 3 is a bottom view thereof;
 FIG. 4 is a side elevational view thereof;
 FIG. 5 is an opposite side elevational view;
 FIG. 6 is a front elevational view thereof;
 FIG. 7 is a rear elevational view thereof;
 FIG. 8 is perspective view of another embodiment of the stapler showing our new design;
 FIG. 9 is a top view thereof;
 FIG. 10 is a bottom view thereof;
 FIG. 11 is a side elevational view thereof;
 FIG. 12 is an opposite side elevational view;
 FIG. 13 is a front elevational view thereof; and,
 FIG. 14 is a rear elevational view thereof.

The surface shading shown in the embodiment of FIGS. 8–14 indicates the contrast between the colors used in the design of the stapler.

The broken lines shown on the inside of bottom portion of the stapler in FIGS. 1, 4 & 5 of one embodiment and FIG. 8 of another embodiment define the bounds of the claimed design and form no part thereof.

1 Claim, 8 Drawing Sheets



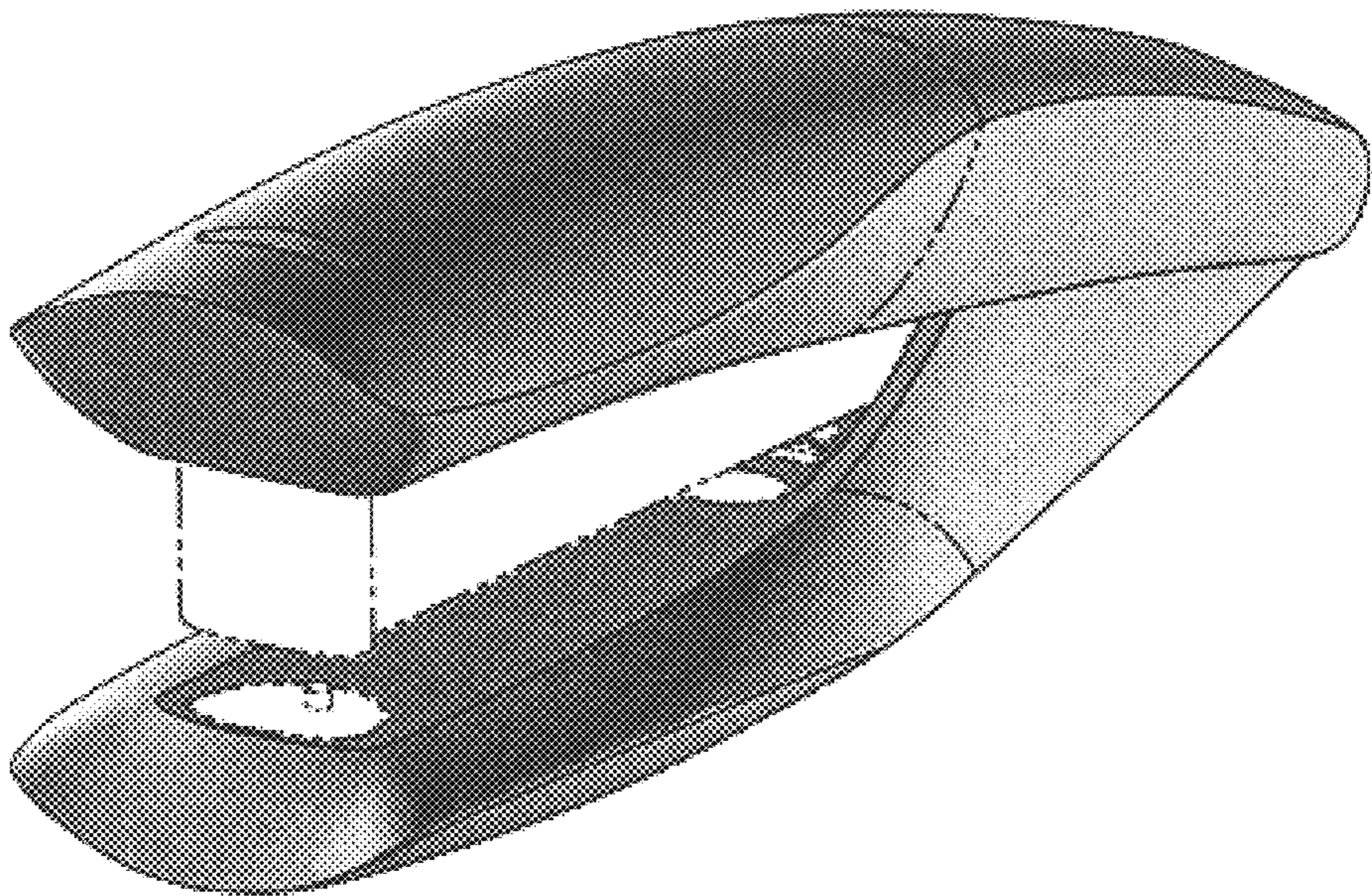


Fig. 1

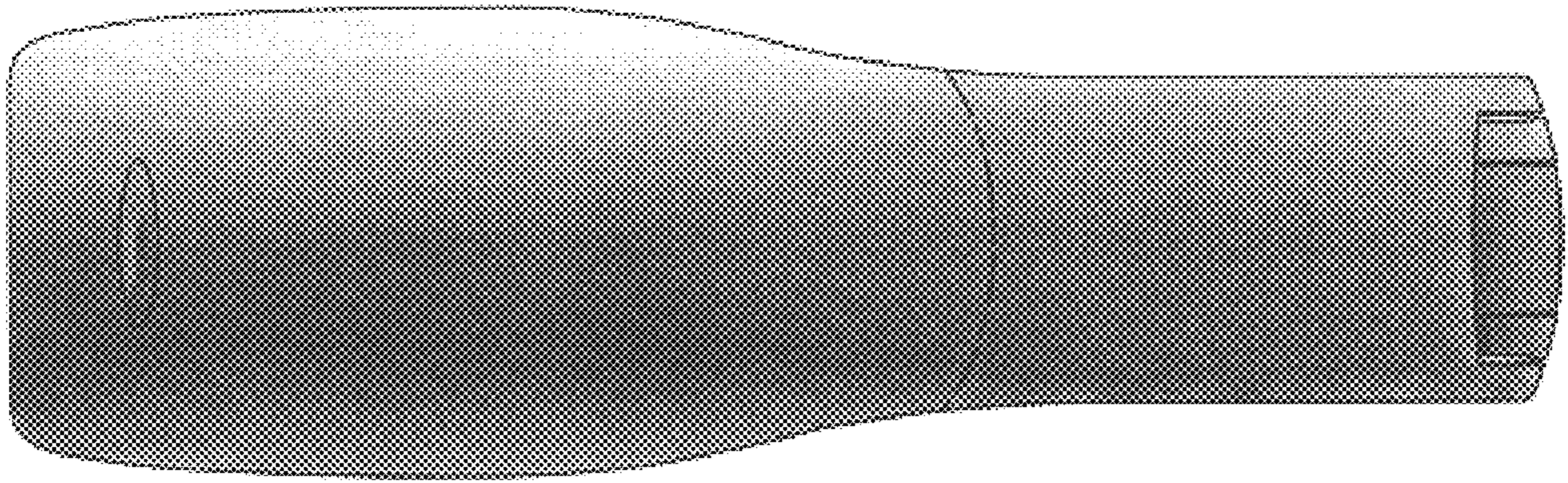


Fig. 2

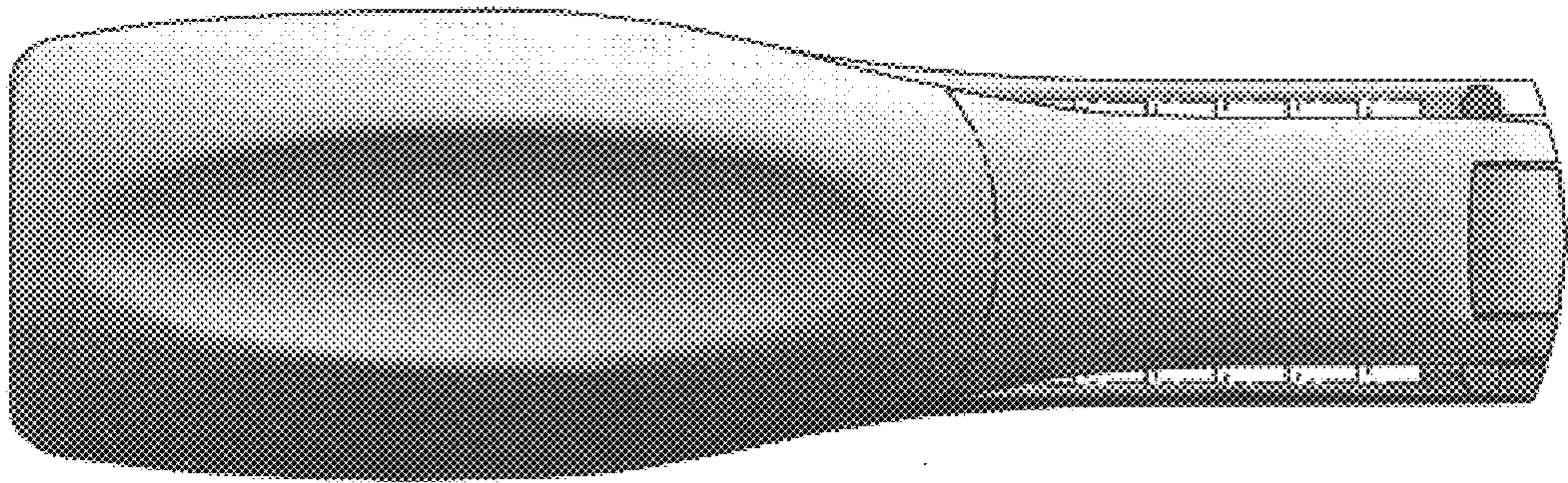


Fig. 3

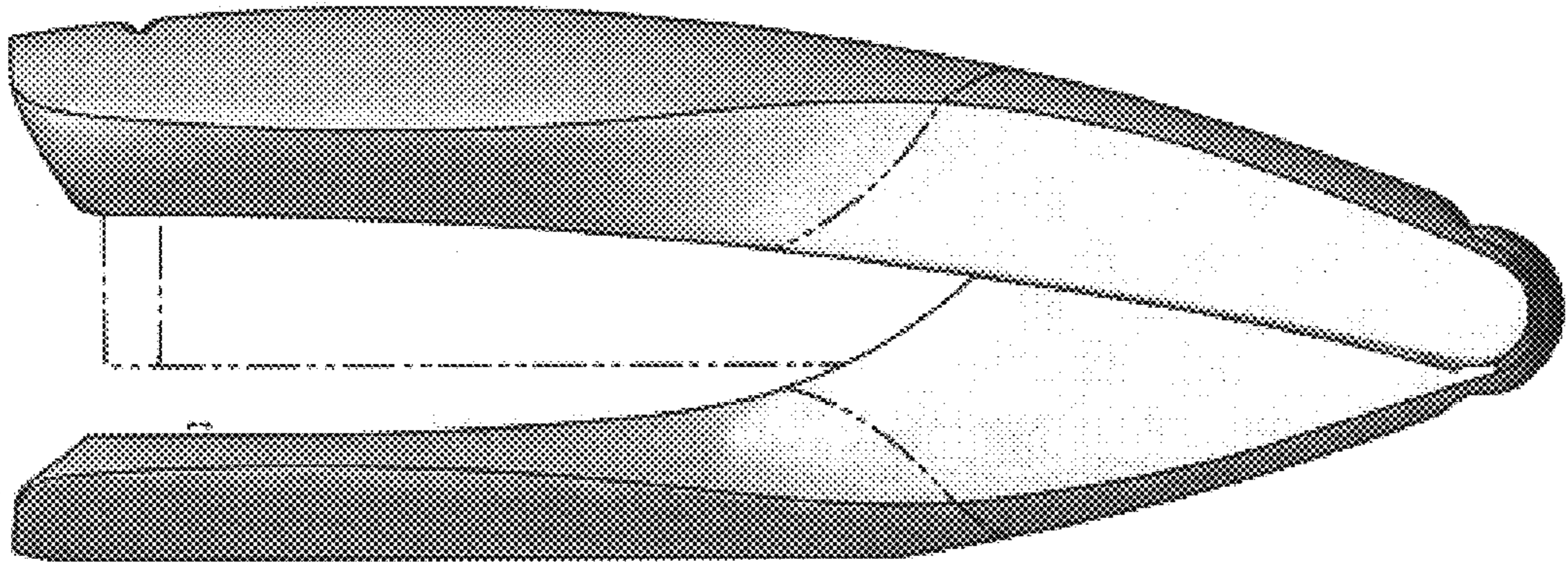


Fig. 4

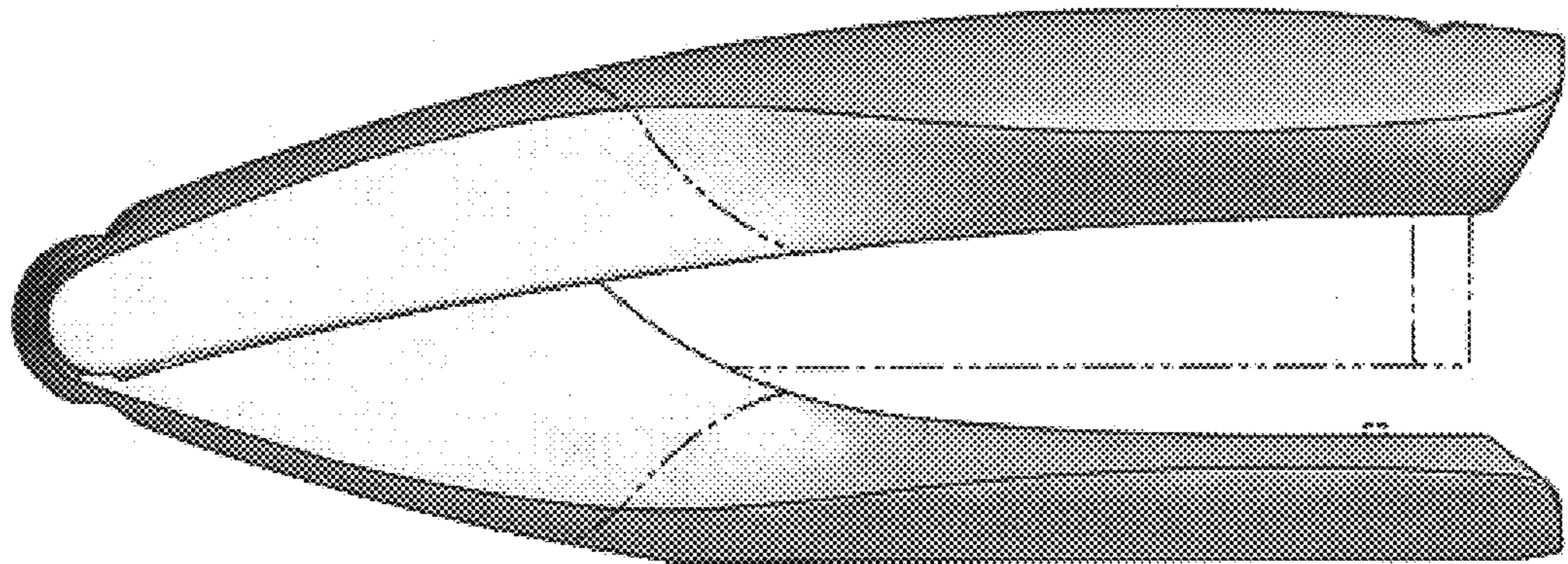


Fig. 5

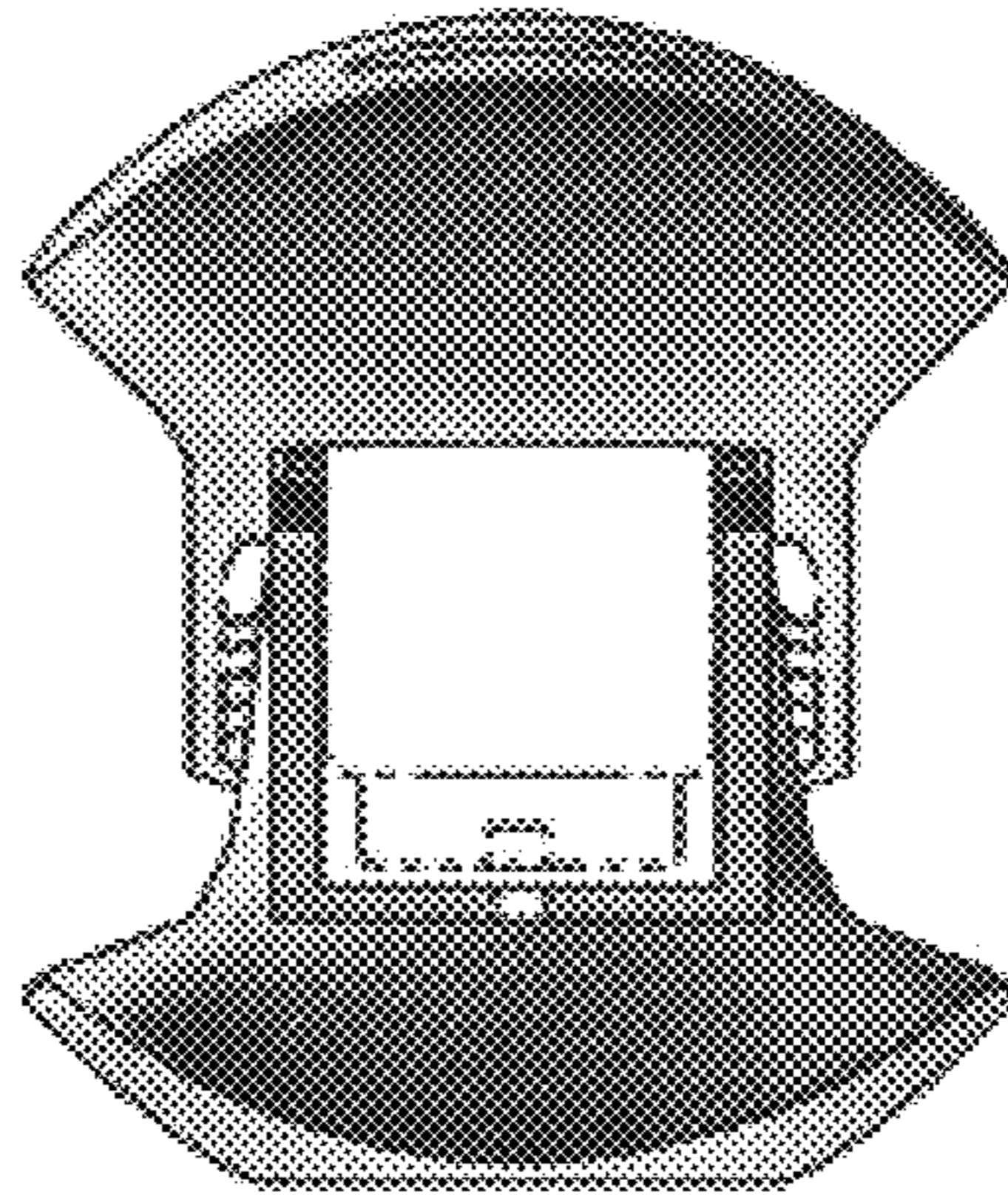


Fig. 6

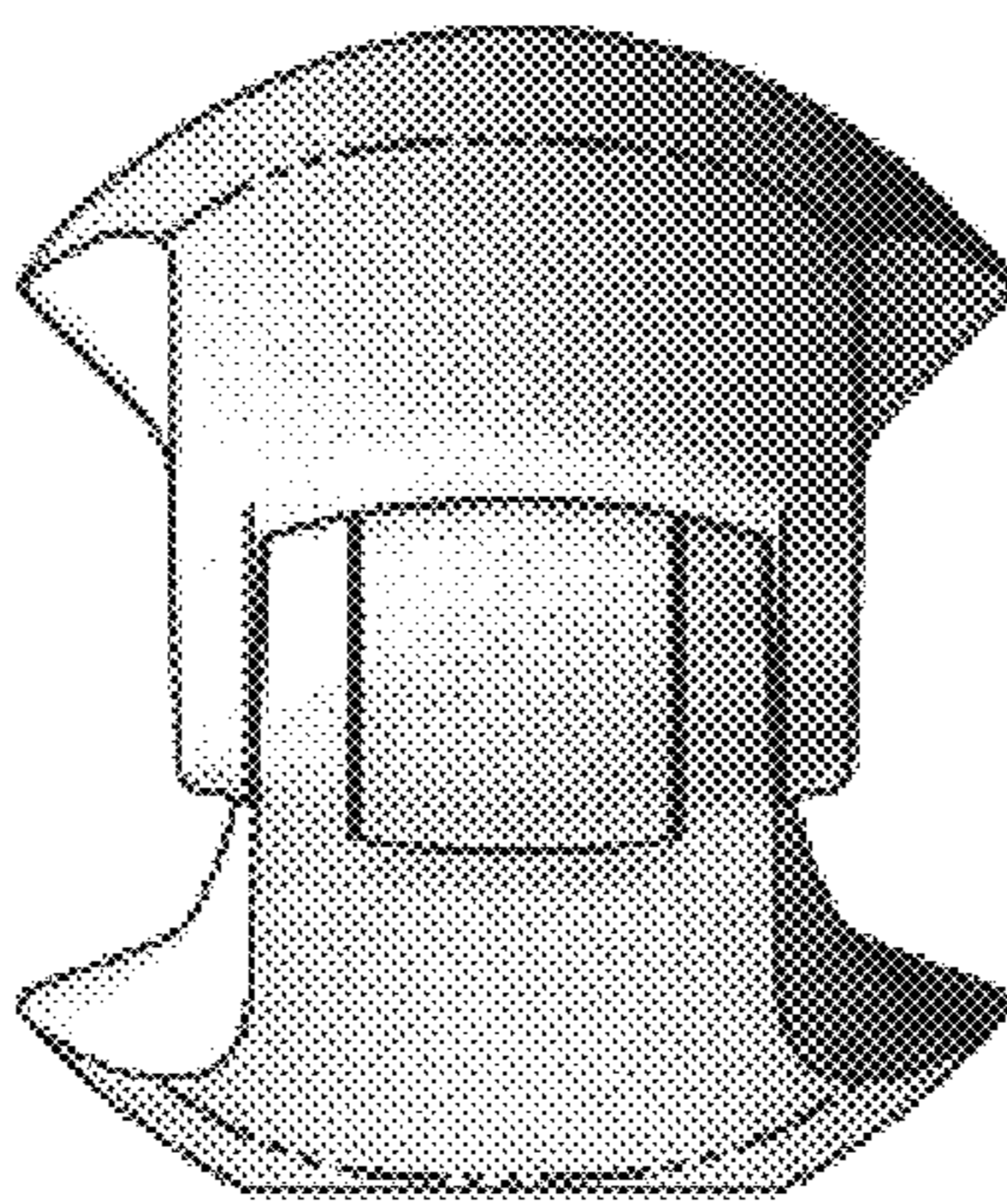


Fig. 7

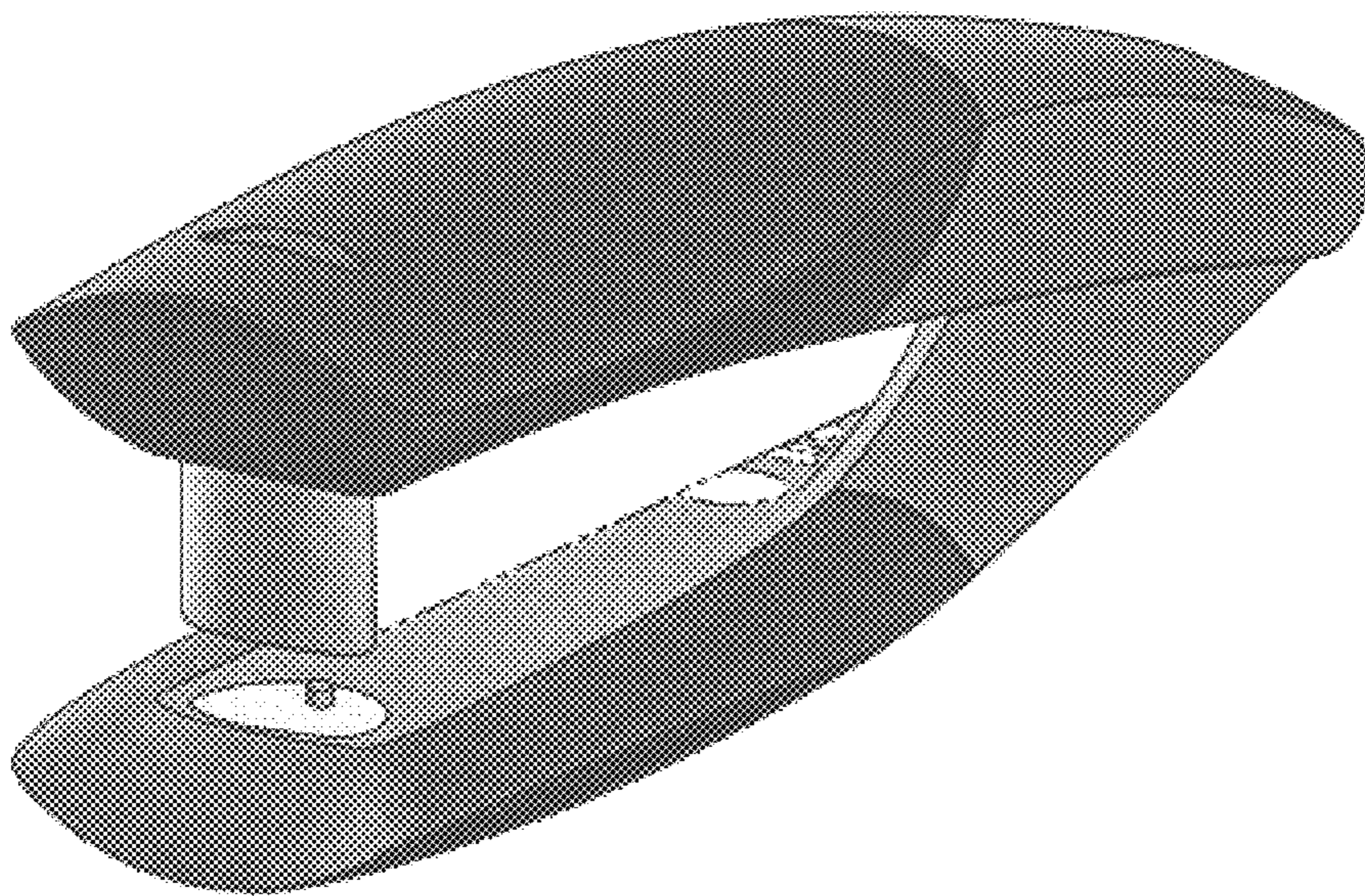


Fig. 8

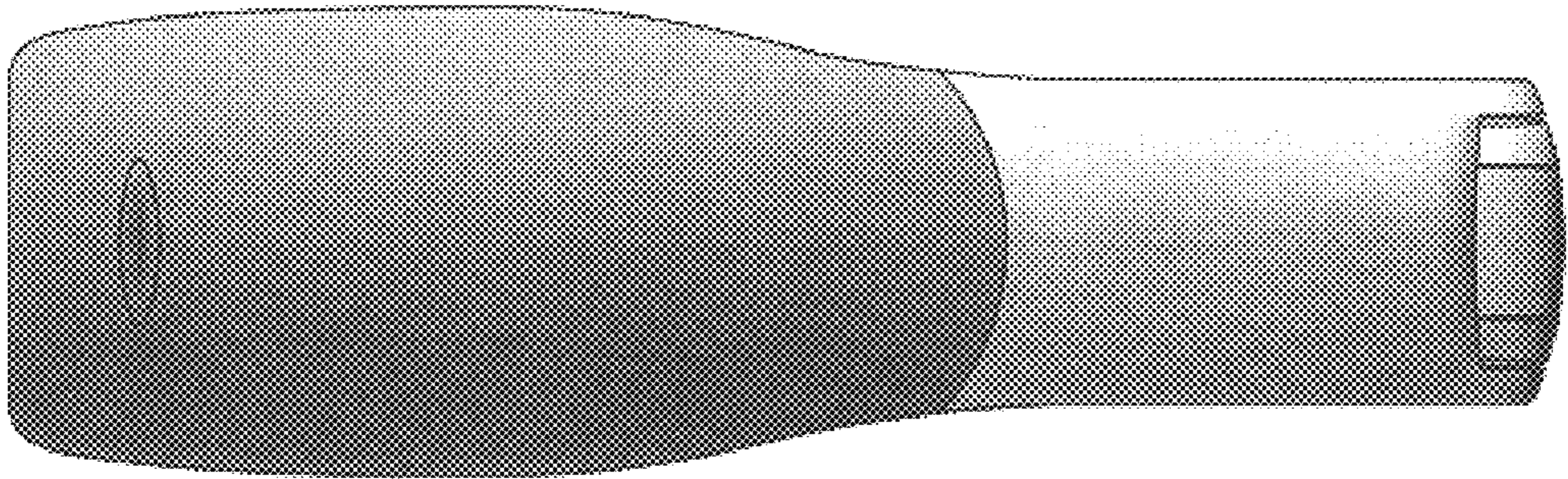


Fig. 9

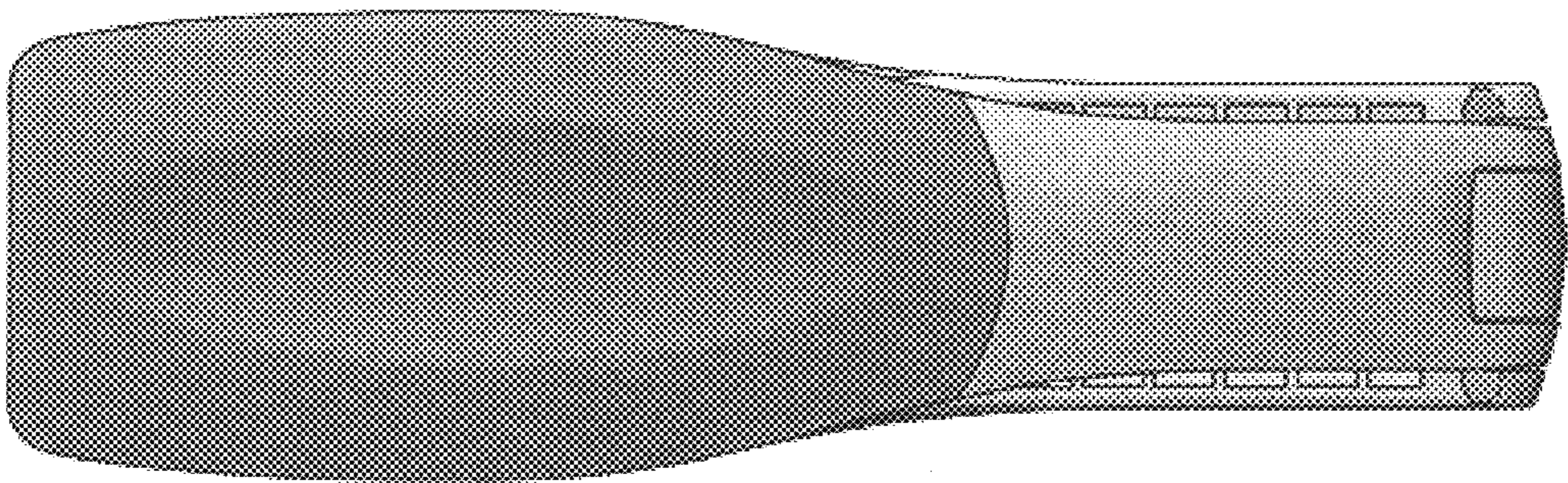


Fig. 10

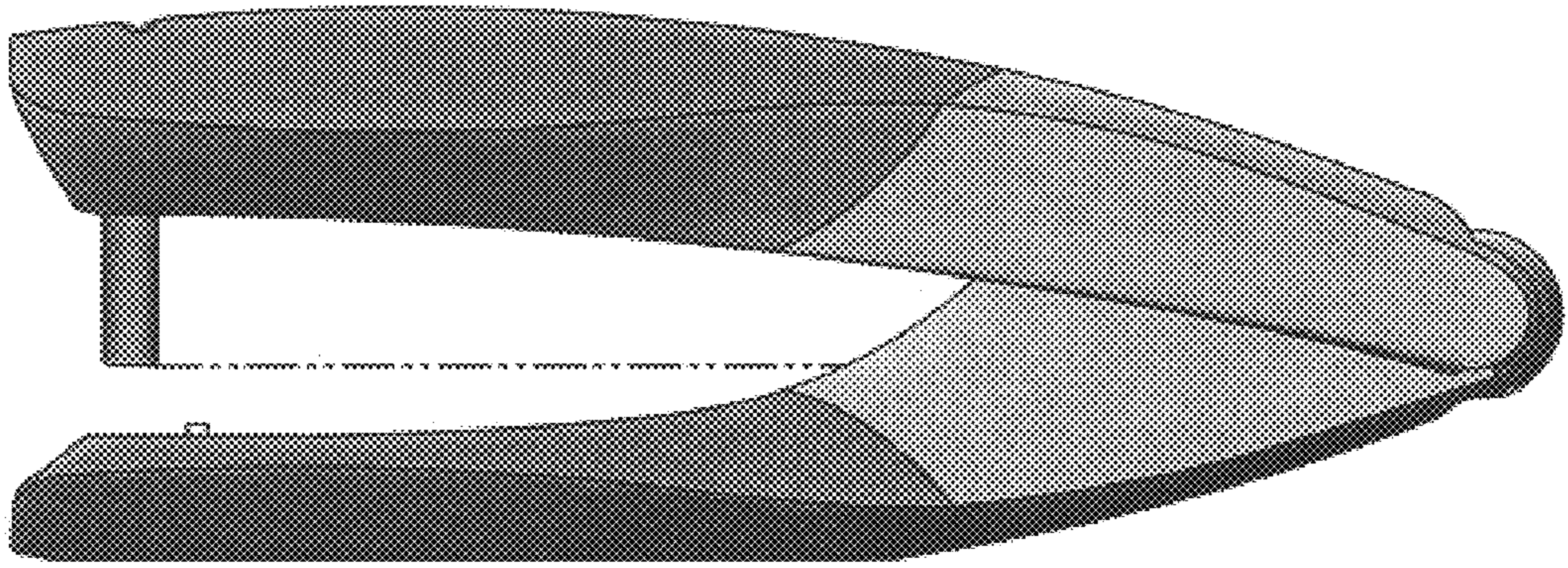


Fig. 11

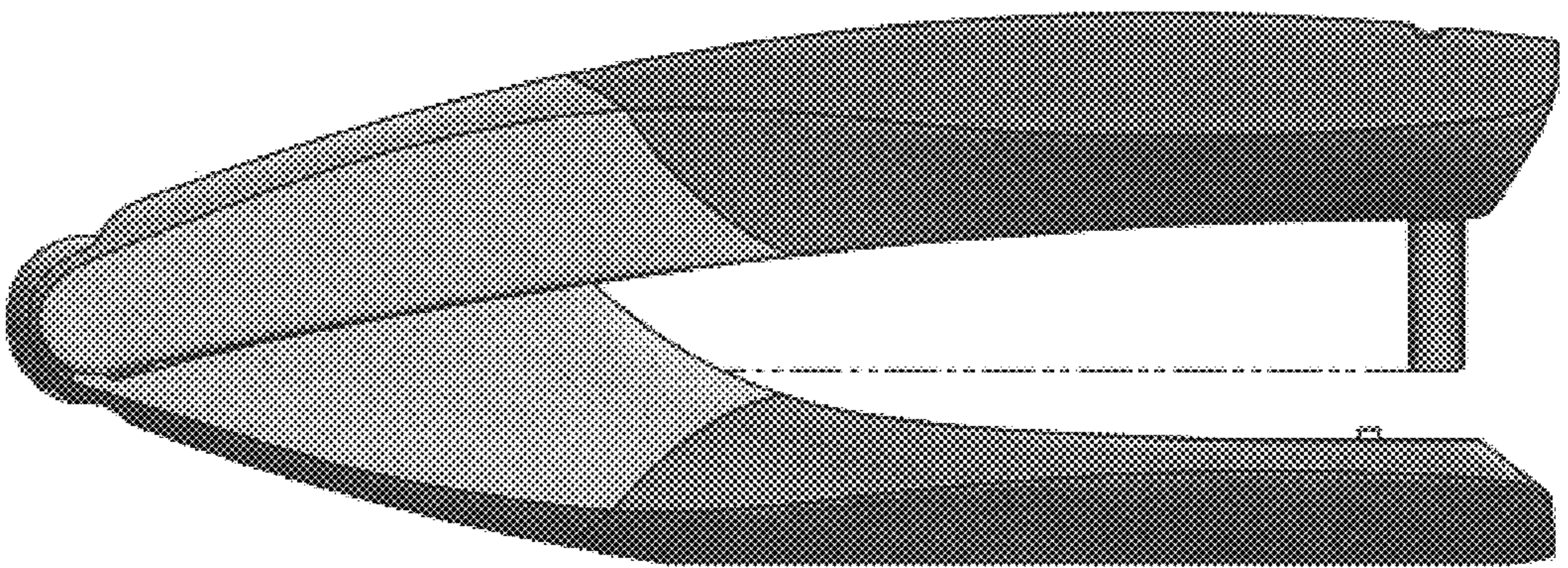


Fig. 12

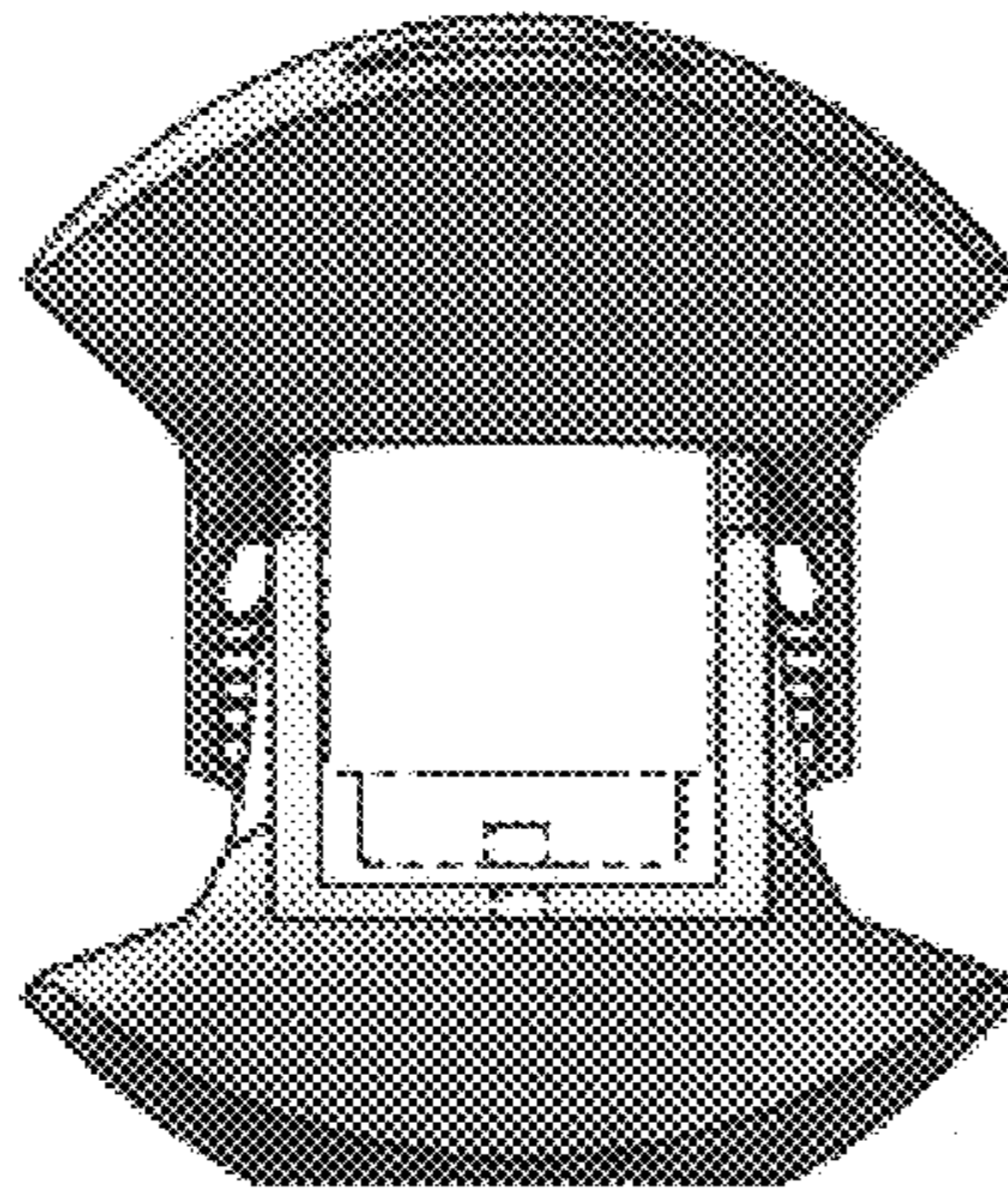


Fig. 13

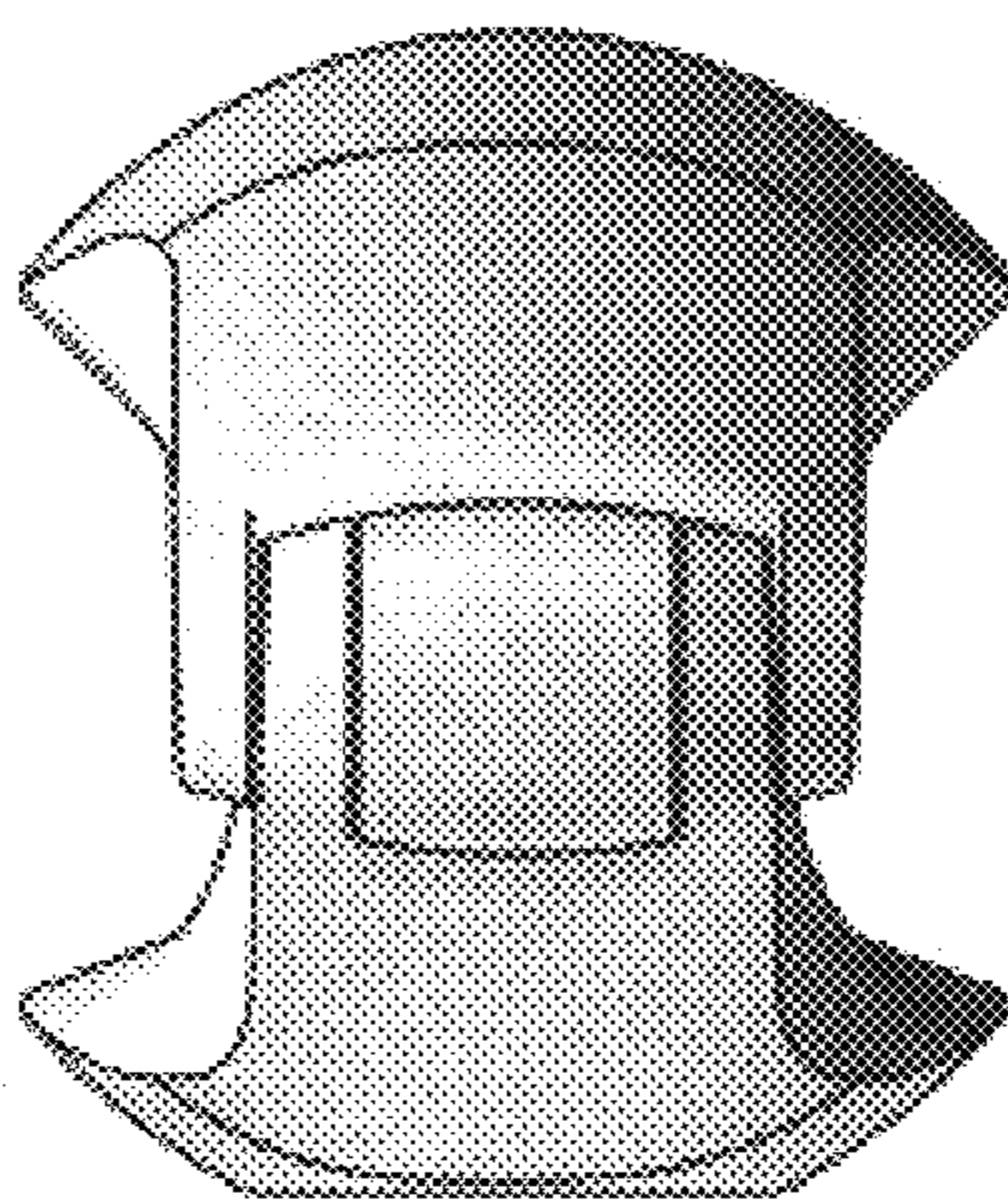


Fig. 14