



US00D424896S

# United States Patent [19] Christian, Jr.

[11] **Patent Number: Des. 424,896**

[45] **Date of Patent: \*\* May 16, 2000**

[54] **CLOTHES HANGER HOOK**

[76] Inventor: **James E. Christian, Jr.**, 4470  
Homestead Dr., Roanoke, Tex. 76262

[\*\*] Term: **14 Years**

[21] Appl. No.: **29/099,633**

[22] Filed: **Jan. 25, 1999**

[51] **LOC (7) Cl.** ..... **08-05**

[52] **U.S. Cl.** ..... **D8/14**

[58] **Field of Search** ..... D8/14, 408; 294/19.1,  
294/19.3, 22; 223/85

4,203,332 5/1980 Corsetti ..... 294/19.1  
4,517,709 5/1985 Arentsen et al. .... 24/232 R  
4,836,595 6/1989 DiCarlo ..... 294/19.1

*Primary Examiner*—Philip S. Hyder  
*Attorney, Agent, or Firm*—Dennis T. Griggs

### [57] CLAIM

The ornamental design for a clothes hanger hook, as shown and described.

### DESCRIPTION

FIG. 1 is a front elevational view of a clothes hanger hook showing my new design, the rear elevational view being the mirror image thereof;

FIG. 2 is a right side elevational view thereof, the left side elevational view being the mirror image thereof;

FIG. 3 is an enlarged top plan view thereof;

FIG. 4 is an enlarged bottom plan view thereof;

FIG. 5 is a perspective view thereof, with the dashed lines showing the outline of a jacket and hanger for illustrative purposes only and forming no part of the claimed design; and,

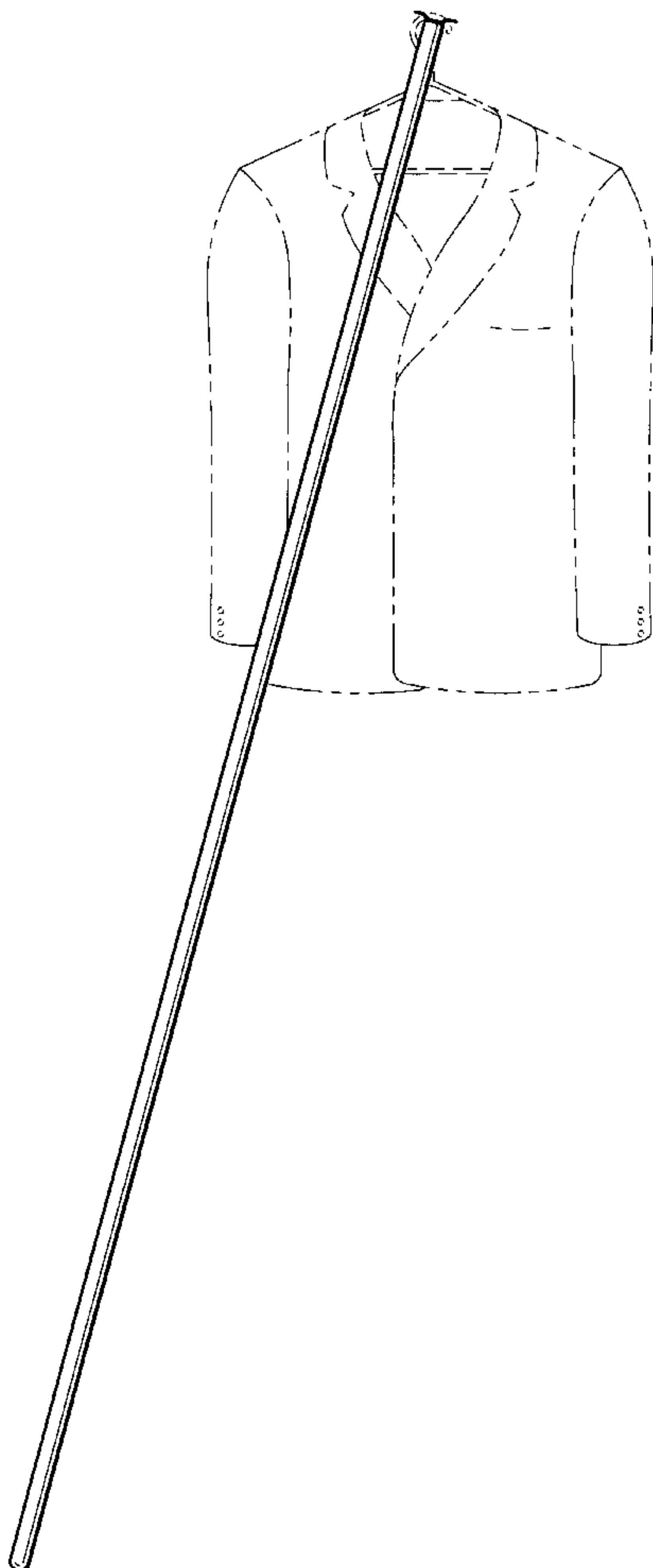
FIG. 6 is a perspective, enlarged view thereof, partly broken away.

[56] **References Cited**

U.S. PATENT DOCUMENTS

D. 345,900	4/1994	Andrews	.....	D8/14
D. 365,019	12/1995	Rich	.....	D8/402
D. 391,817	3/1998	Christian, Jr.	.....	D8/14
927,546	7/1909	Johnston	.....	294/19.1
1,377,933	5/1921	Sheatsley	.....	294/19.1
3,588,161	6/1971	Sayre et al.	.....	294/19.1
3,936,088	2/1976	Williams	.....	294/19.1
4,023,843	5/1977	Coons	.....	294/19.1
4,121,531	10/1978	Norton	.....	294/19.1

**1 Claim, 2 Drawing Sheets**



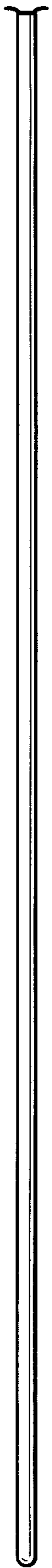


FIG. 1



FIG. 2

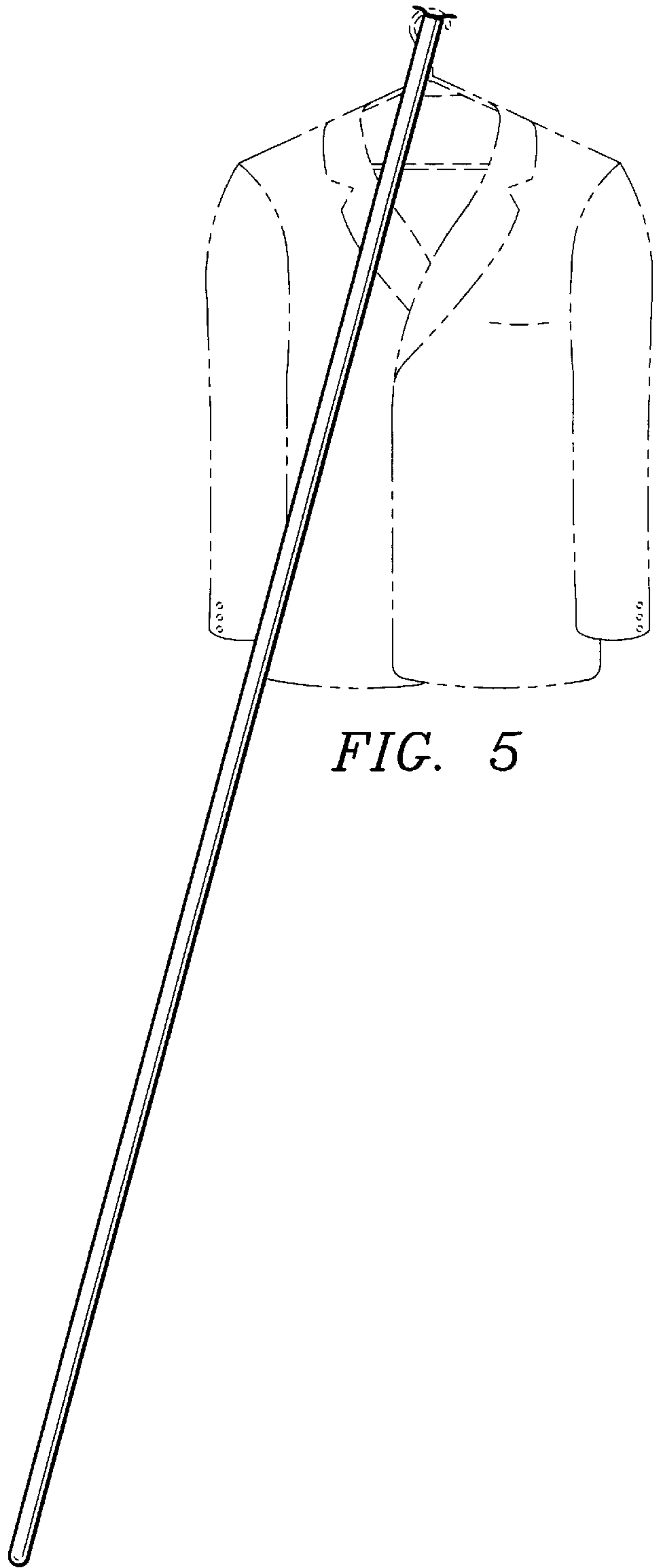


FIG. 5

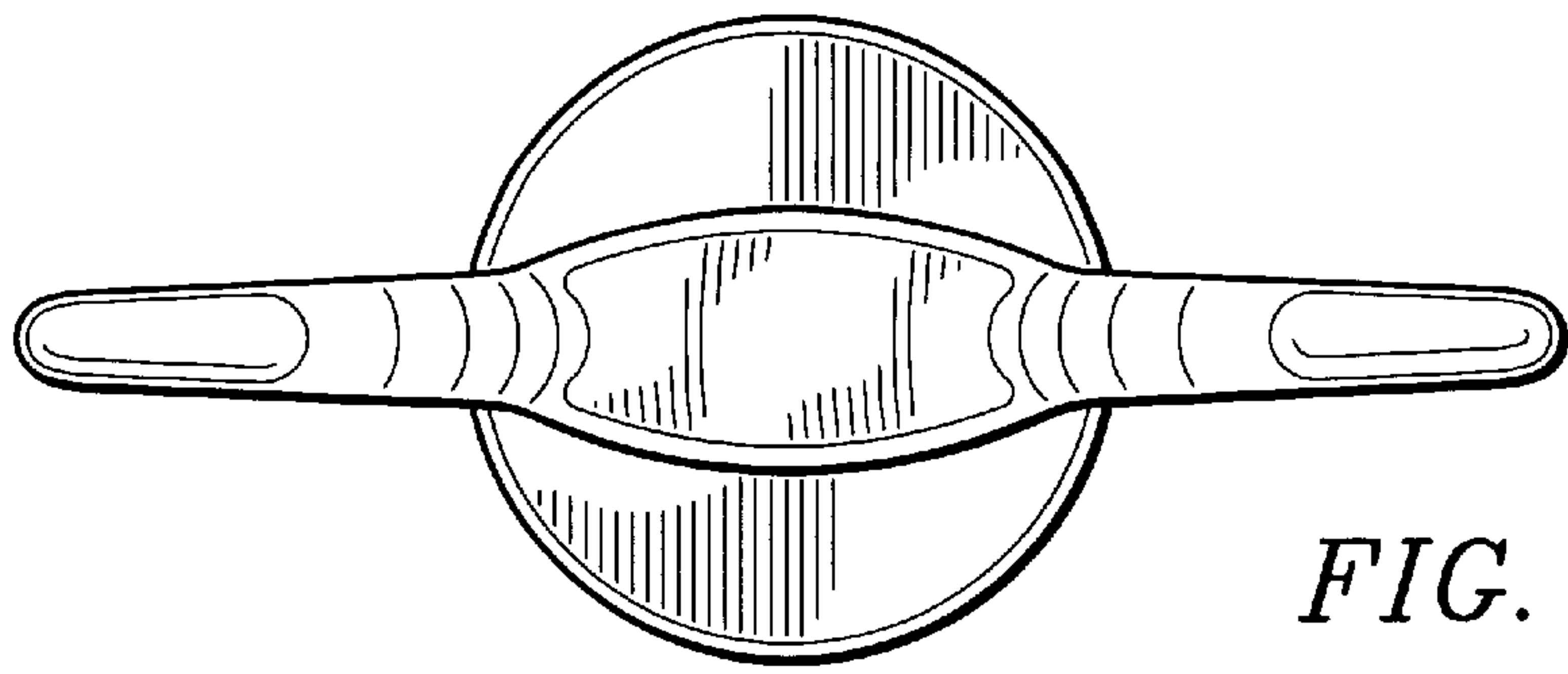


FIG. 3

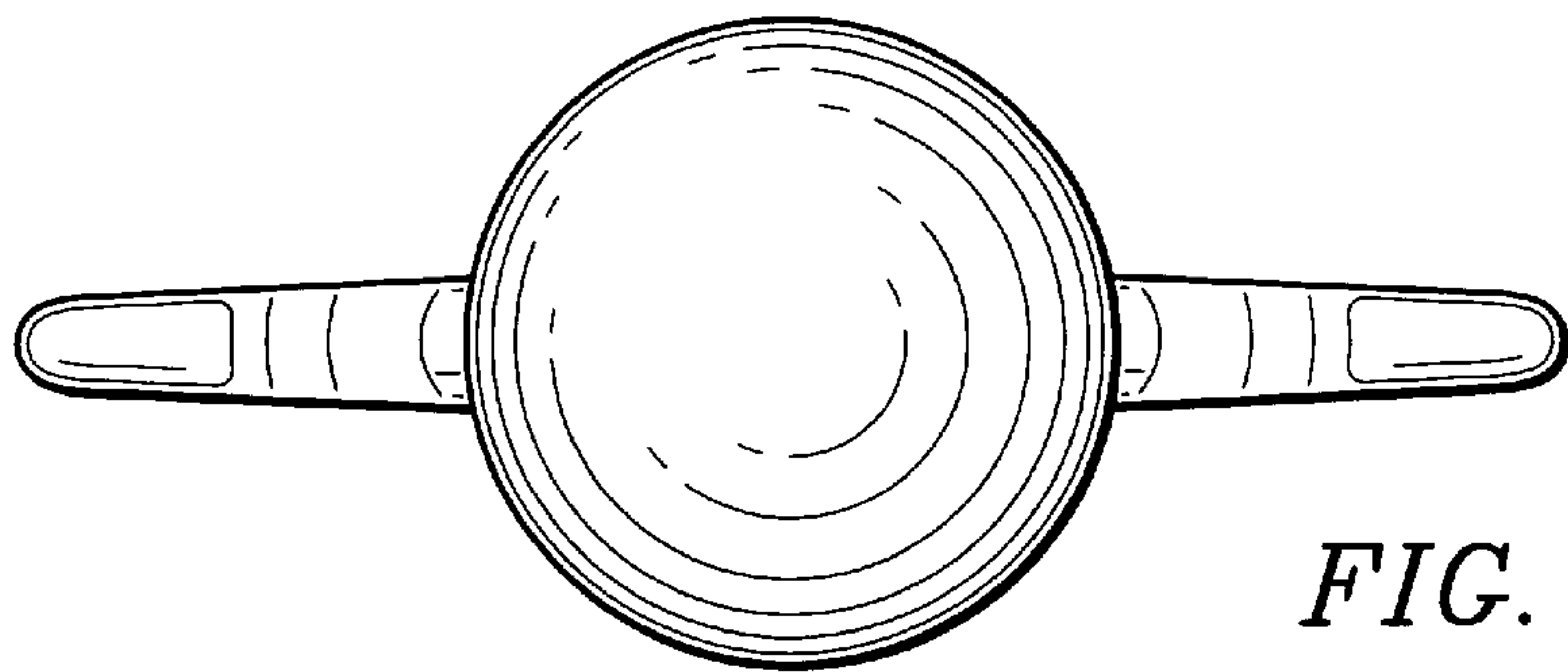


FIG. 4

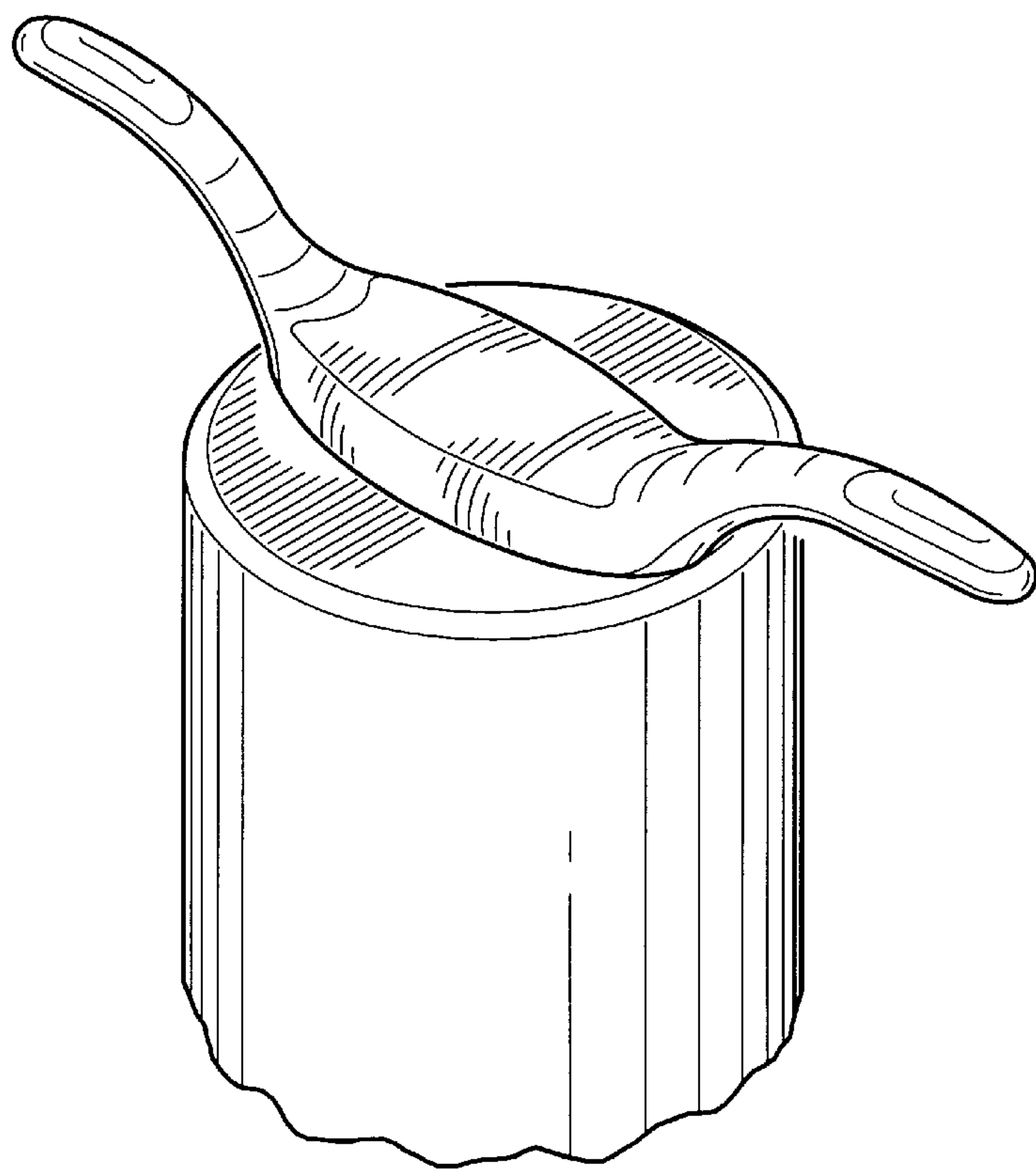


FIG. 6