



US00D424894S

United States Patent [19]
Pottmeyer

[11] **Patent Number: Des. 424,894**

[45] **Date of Patent: ** May 16, 2000**

[54] **ROOT FEEDER**

[76] Inventor: **Gerald Pottmeyer**, 319 Greene St.,
Marietta, Ohio 45750

[**] Term: **14 Years**

[21] Appl. No.: **29/110,600**

[22] Filed: **Sep. 9, 1999**

[51] **LOC (7) Cl.** **08-01**

[52] **U.S. Cl.** **D8/1**

[58] **Field of Search** D8/1, 2; 111/7.1,
111/7.4; 47/48.5; 239/276

[56] **References Cited**

U.S. PATENT DOCUMENTS

D. 236,939	9/1975	Piel	D8/1
D. 389,705	1/1998	Puett	D8/1
D. 390,429	2/1998	Spero	D8/1
2,333,727	11/1943	Lucas	111/7.1
2,893,334	7/1959	Snyder	111/7.1
5,618,000	4/1997	Lantzy et al.	239/276

Primary Examiner—Robin V. Taylor
Attorney, Agent, or Firm—Eric Karich

[57] **CLAIM**

The ornamental design for a root feeder, as shown and described.

DESCRIPTION

FIG. 1 is a perspective view of a root feeder, showing my new design;

FIG. 2 is a top plan view thereof;

FIG. 3 is a front elevational view thereof with the broken line showing of a fertilizer mixing bowl for illustrative purposes only and forming no part of the claimed design;

FIG. 4 is a right side elevation view thereof;

FIG. 5 is a rear elevational view thereof;

FIG. 6 is a left side elevation view thereof;

FIG. 7 is a bottom plan view thereof;

FIG. 8 is a perspective view of an alternative embodiment of the root feeder;

FIG. 9 is a top plan view thereof;

FIG. 10 is a front elevational view thereof with the broken line showing of a fertilizer mixing bowl for illustrative purposes only and forming no part of the claimed design;

FIG. 11 is a right side elevation view thereof;

FIG. 12 is a rear elevational view thereof;

FIG. 13 is a left side elevation view thereof; and,

FIG. 14 is a bottom plan view thereof.

1 Claim, 6 Drawing Sheets

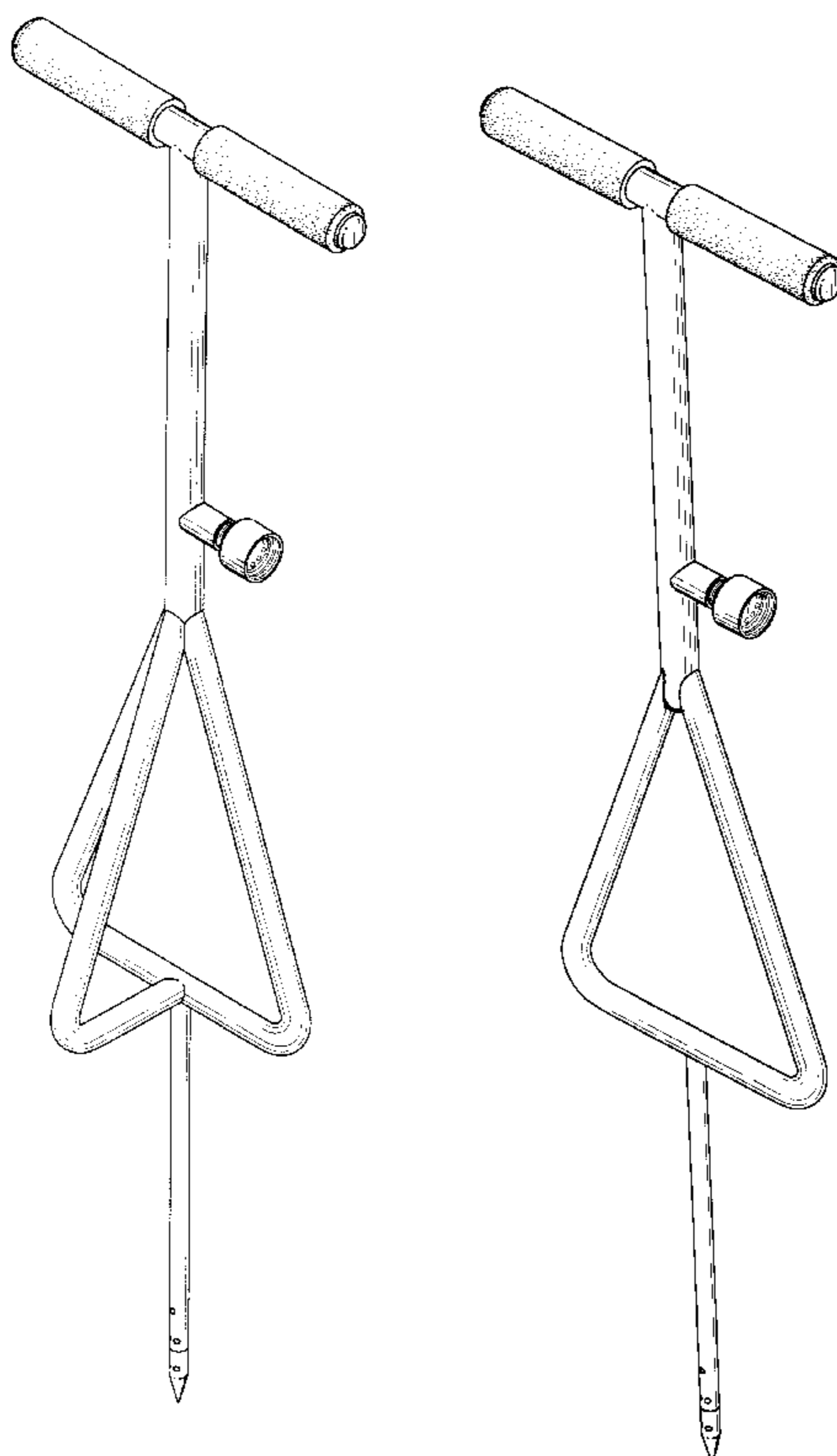


Fig. 1

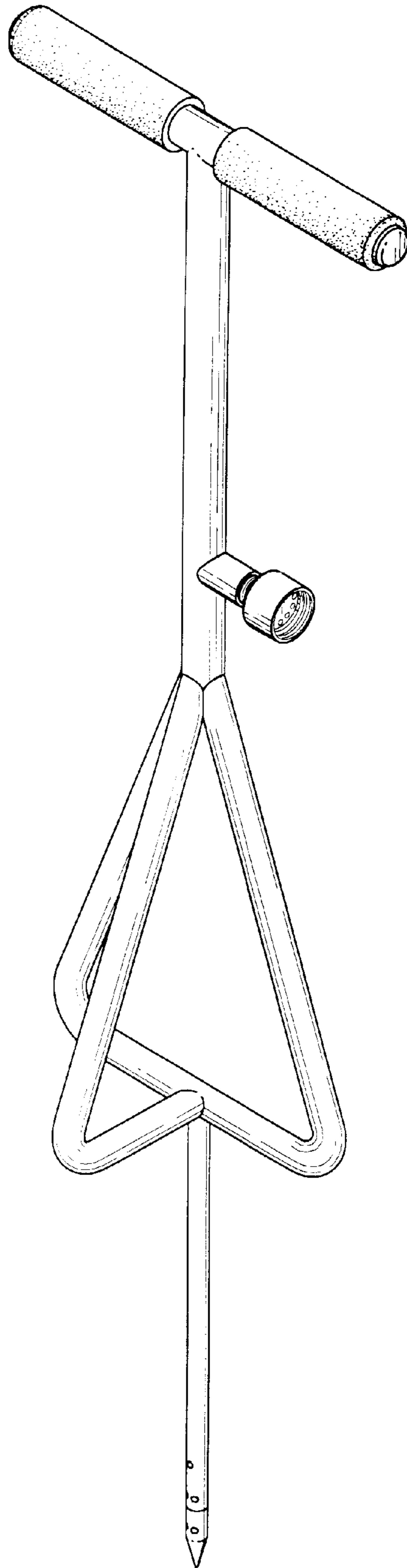


Fig. 2

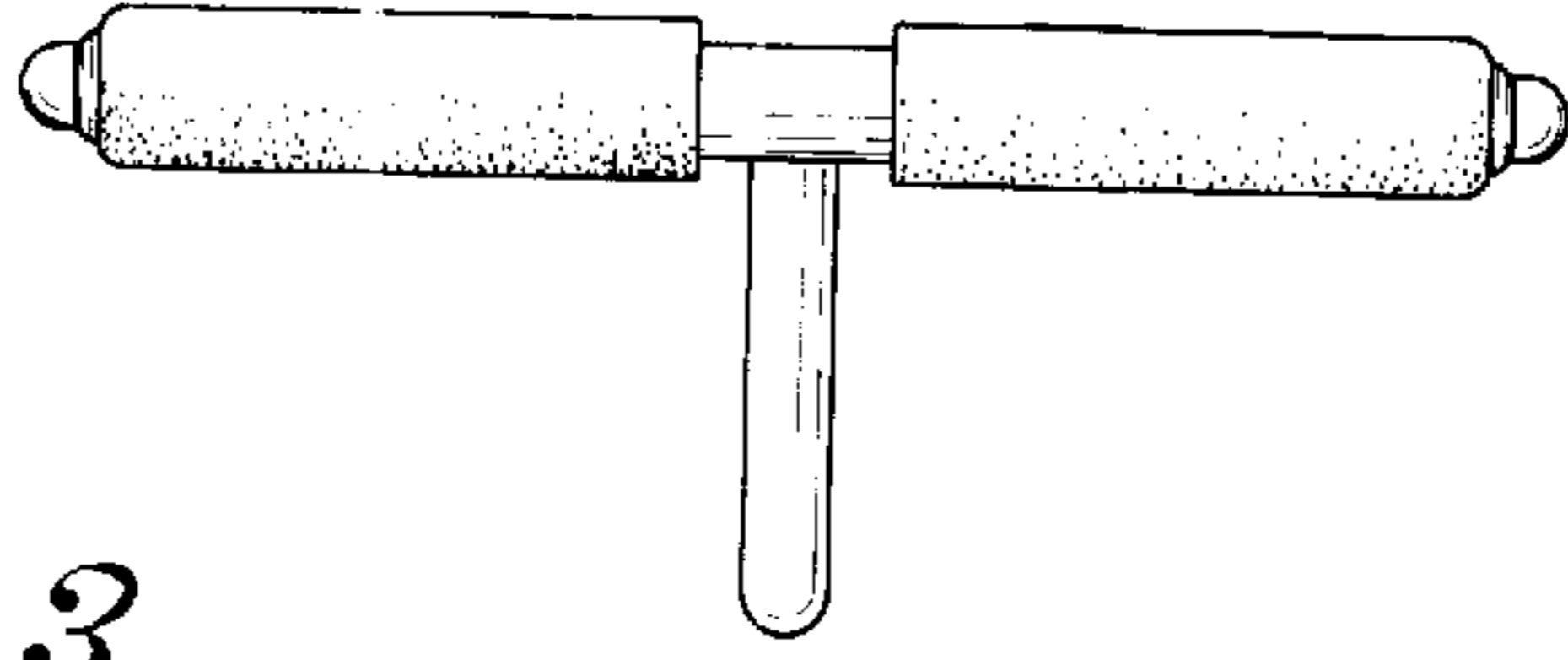


Fig. 3

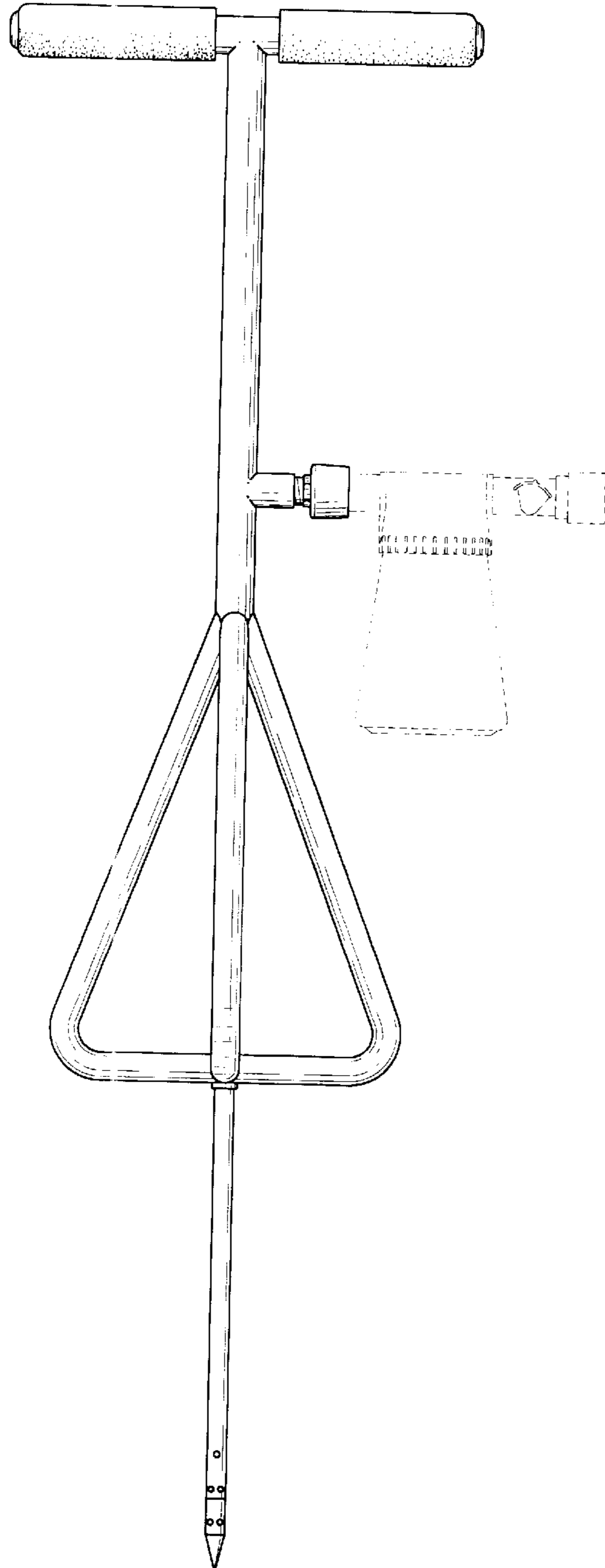


Fig. 4

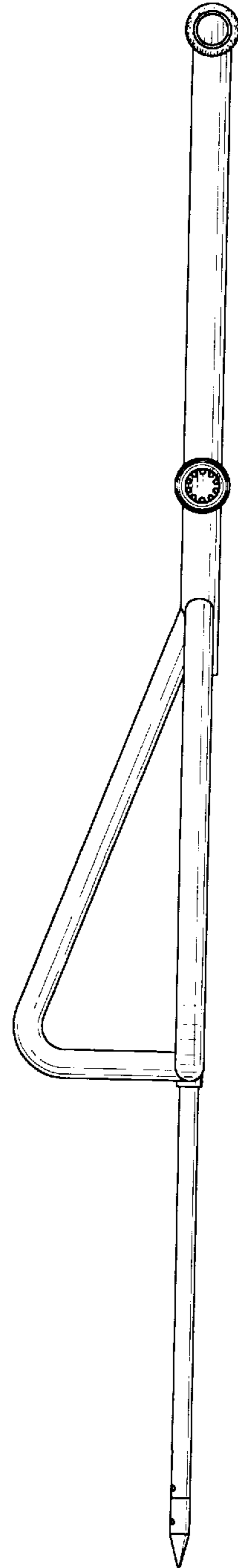


Fig. 5

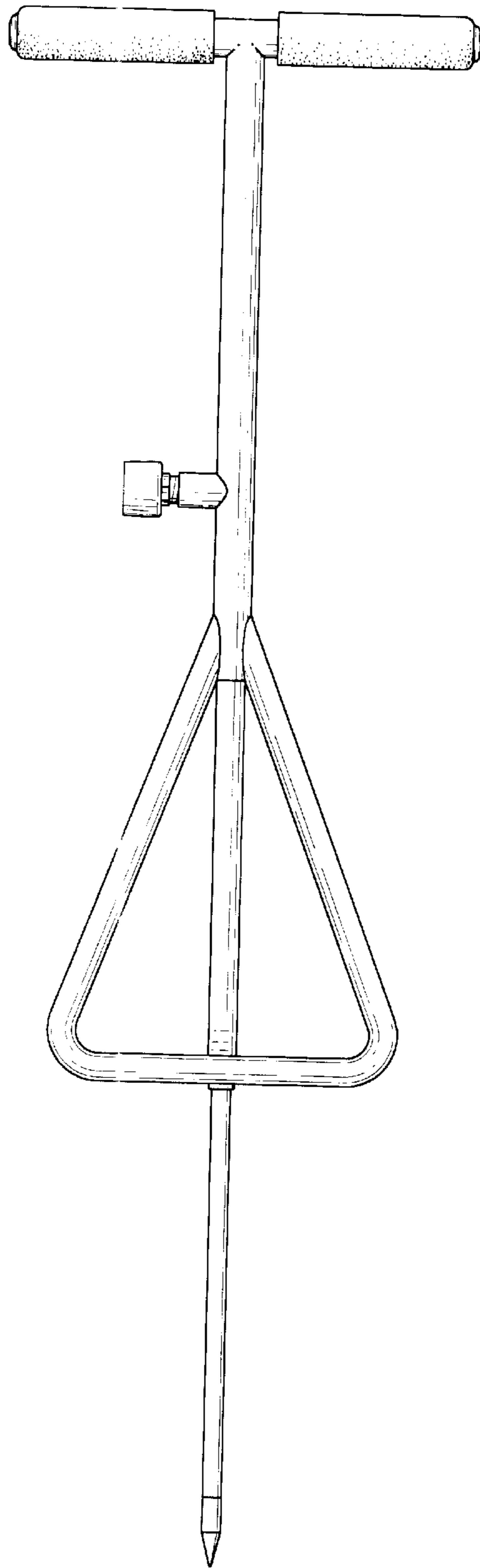


Fig. 6

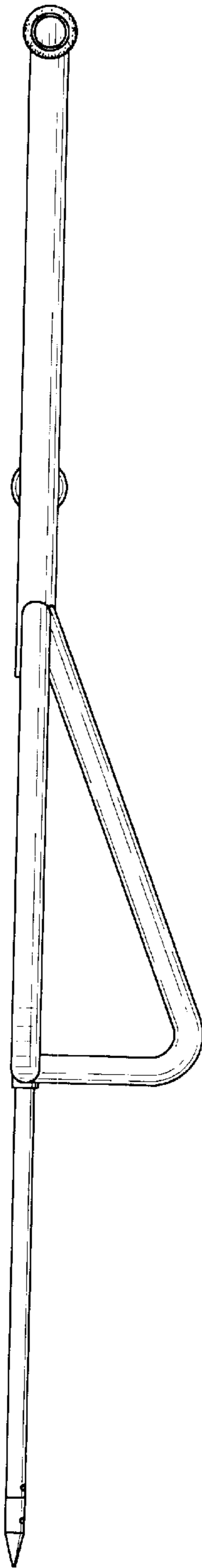


Fig. 7

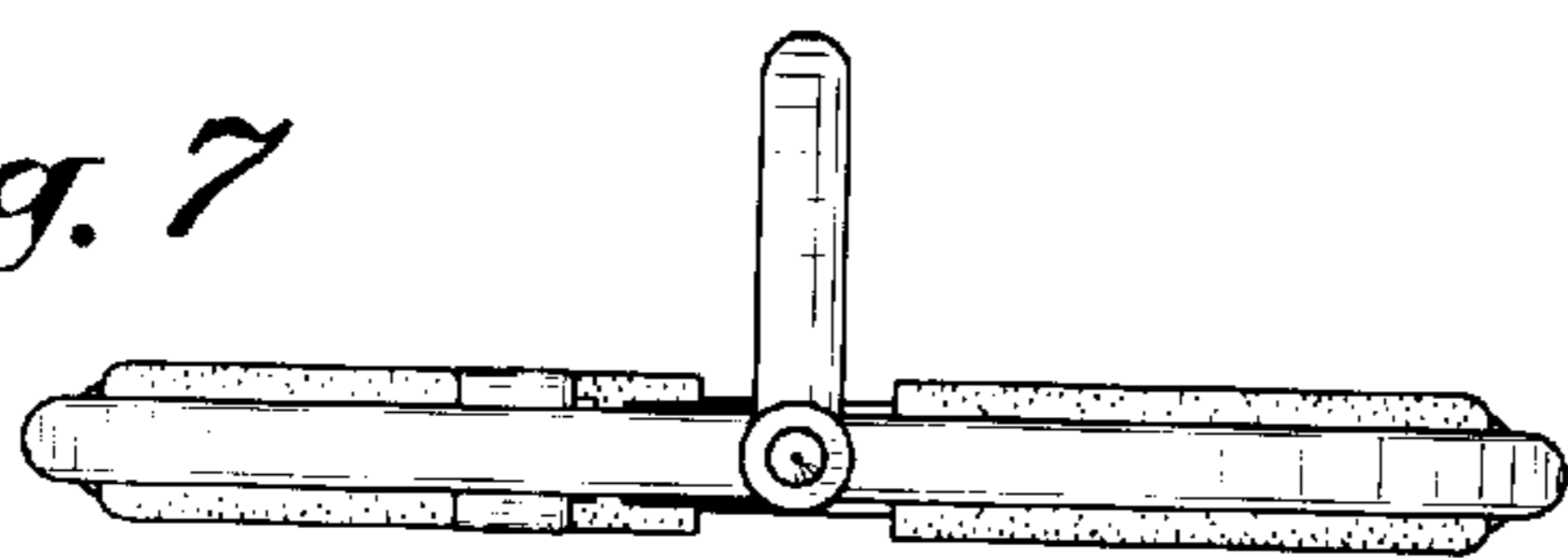


Fig. 8

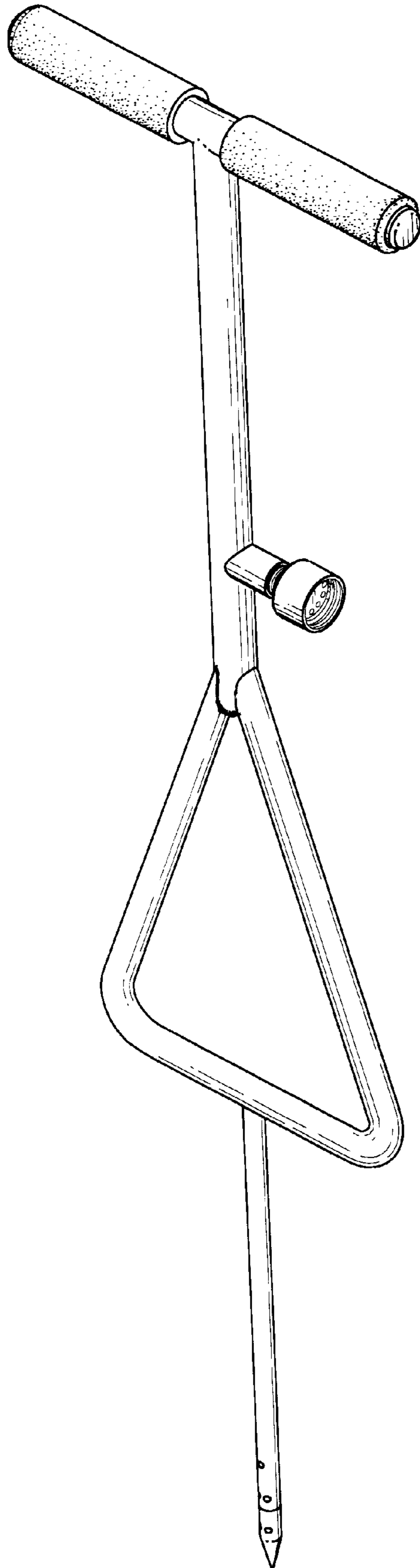


Fig. 9

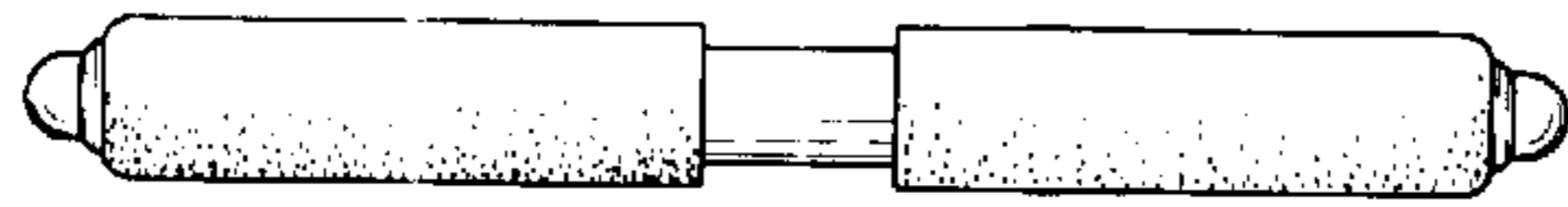


Fig. 10

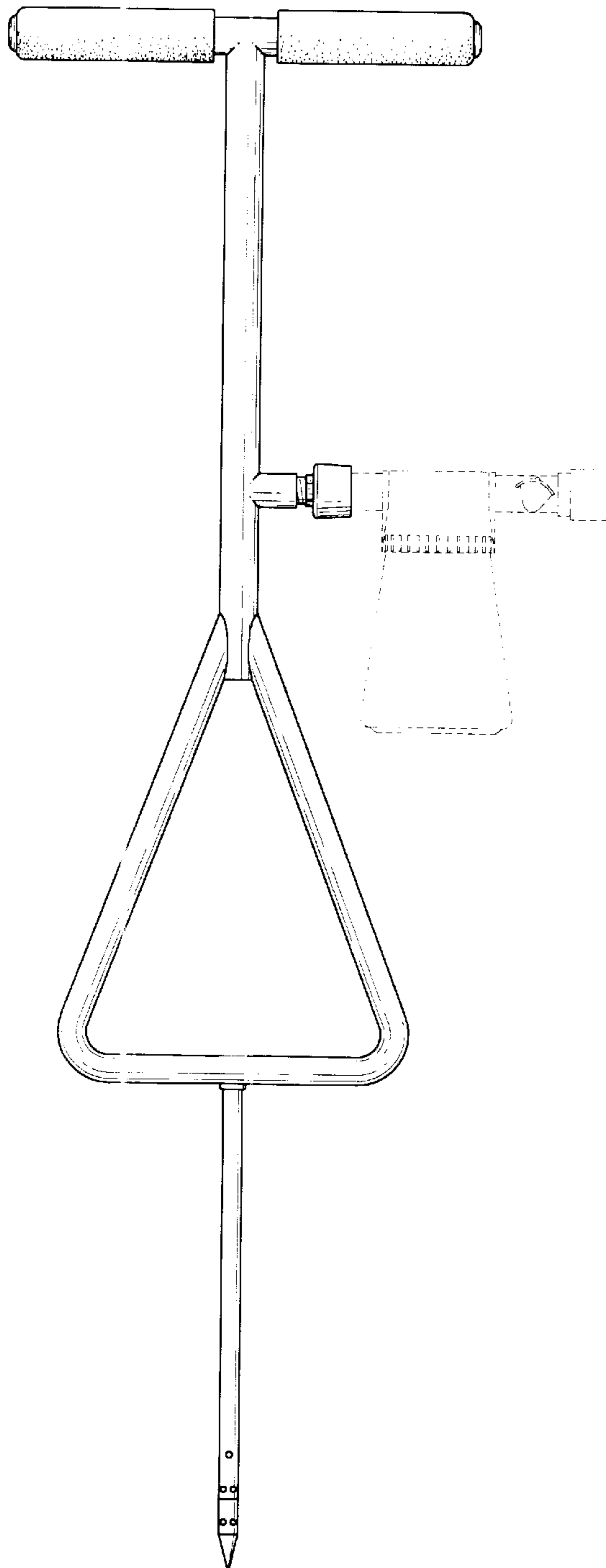


Fig. 11

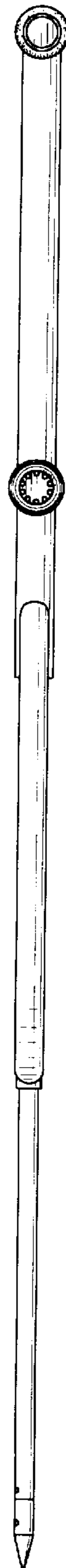


Fig. 12

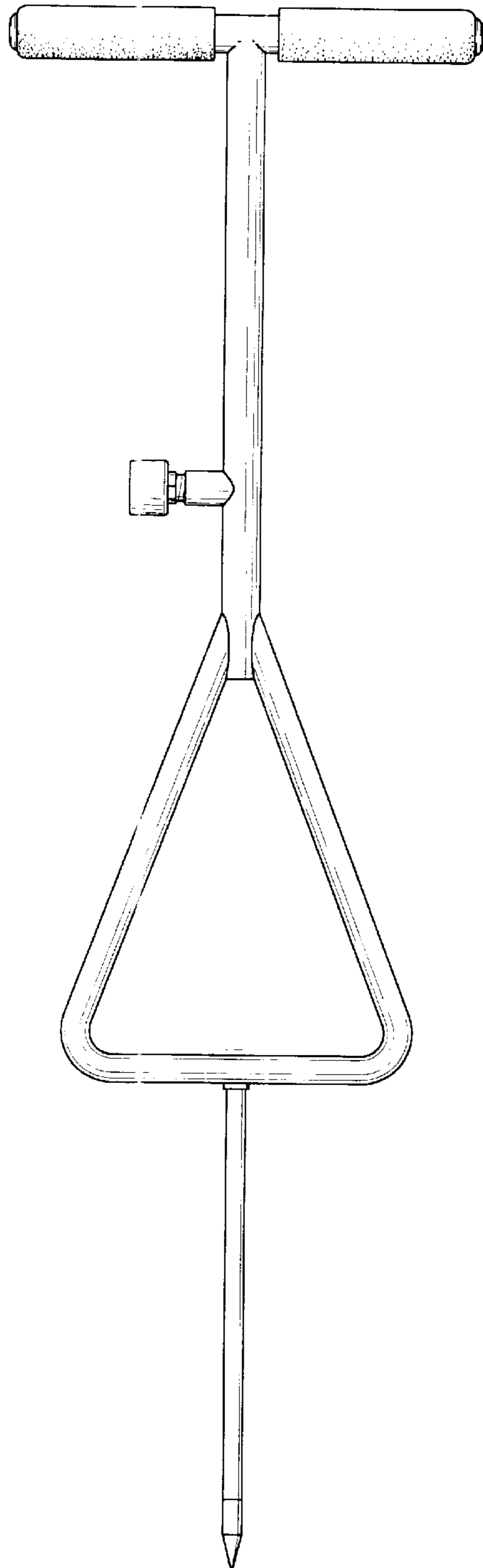


Fig. 13



Fig. 14

