



US00D424889S

United States Patent [19] Yip

[11] **Patent Number: Des. 424,889**

[45] **Date of Patent: ** May 16, 2000**

[54] **FOOD MINCER**

D. 260,351	8/1981	Shun	D7/372
419,103	1/1890	Baltzley	241/82.5
3,527,277	9/1970	Woods	241/88.4

[76] Inventor: **Chung Lun Yip**, 3rd Floor, Blocks A&C, King Yip Factory Building, No. 59 King Yip St., Kwun Tong, The Hong Kong Special Administrative Region of the People's Republic of China

Primary Examiner—Terry A. Wallace
Attorney, Agent, or Firm—Ladas & Parry

[**] Term: **14 Years**

[57] **CLAIM**

I claim the ornamental design for food mincer, as shown.

[21] Appl. No.: **29/101,713**

DESCRIPTION

[22] Filed: **Mar. 10, 1999**

[30] **Foreign Application Priority Data**

Oct. 2, 1998 [GB] United Kingdom 2078158

[51] **LOC (7) Cl.** **07-04**

[52] **U.S. Cl.** **D7/679**

[58] **Field of Search** D7/678, 679, 372, D7/383; 100/147; 241/82.1, 82.5, 88.4, 92, 168, 169, 169.1, 273.1

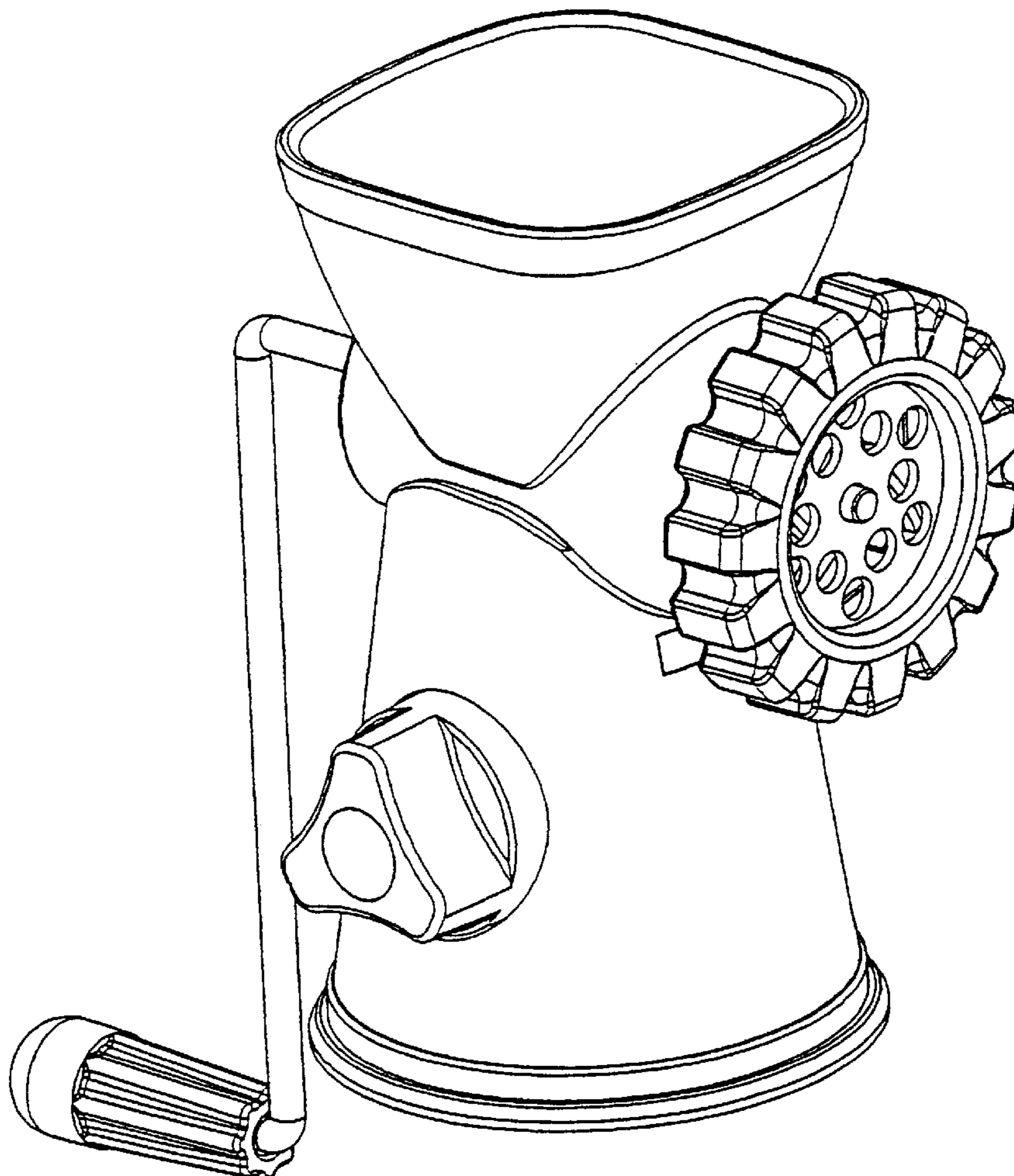
FIG. 1 is a rear elevational view of a food mincer;
FIG. 2 is a right-side elevational view thereof;
FIG. 3 is a front elevational view thereof;
FIG. 4 is a left-side elevational view thereof;
FIG. 5 is a bottom/left-side/rear perspective view thereof;
FIG. 6 is a left-side/top/front perspective view thereof;
FIG. 7 is a top plan view thereof; and,
FIG. 8 is a bottom plan view thereof.

[56] **References Cited**

U.S. PATENT DOCUMENTS

D. 260,129 8/1981 Shun D7/678

1 Claim, 8 Drawing Sheets



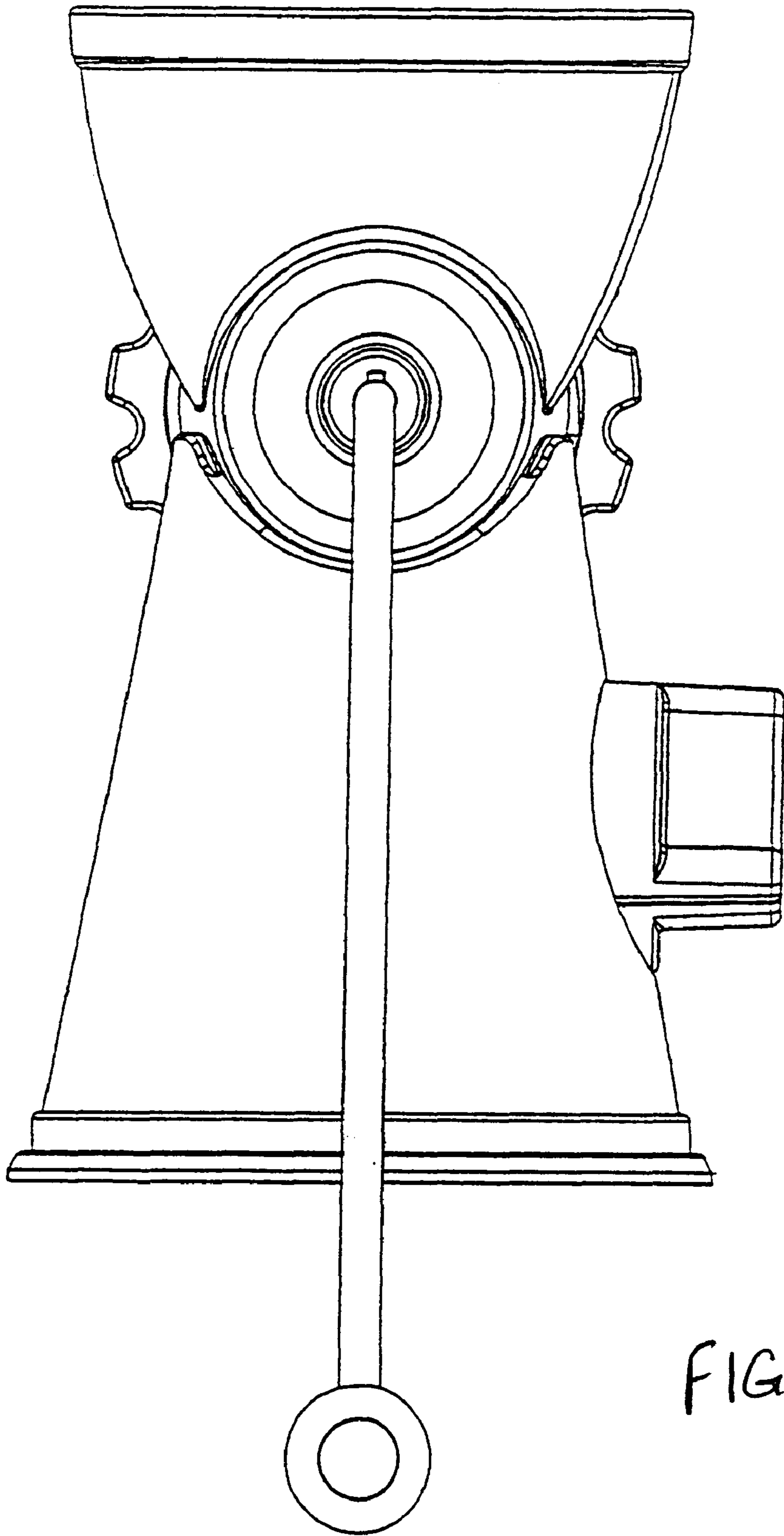


FIG. 1

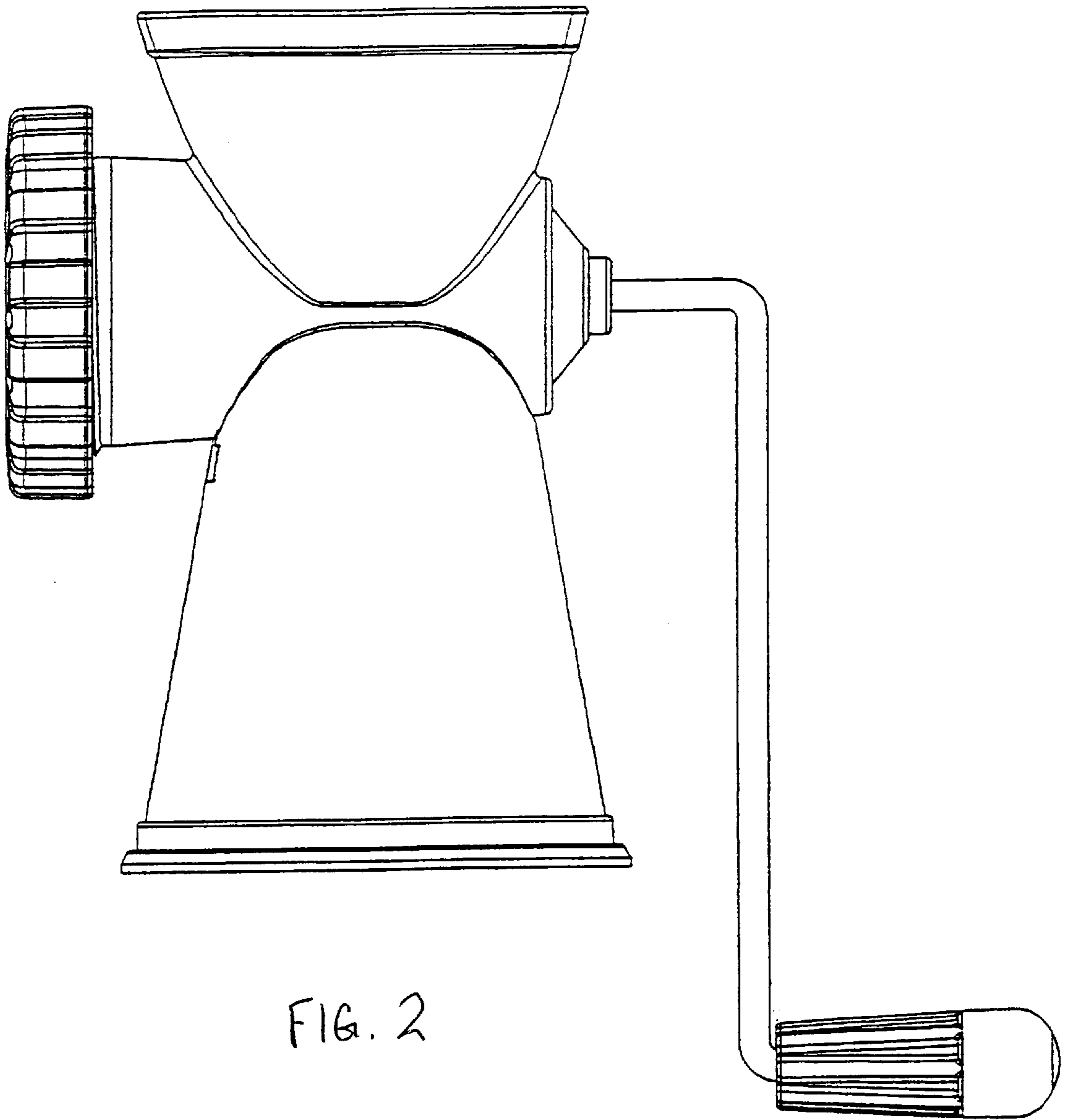


FIG. 2

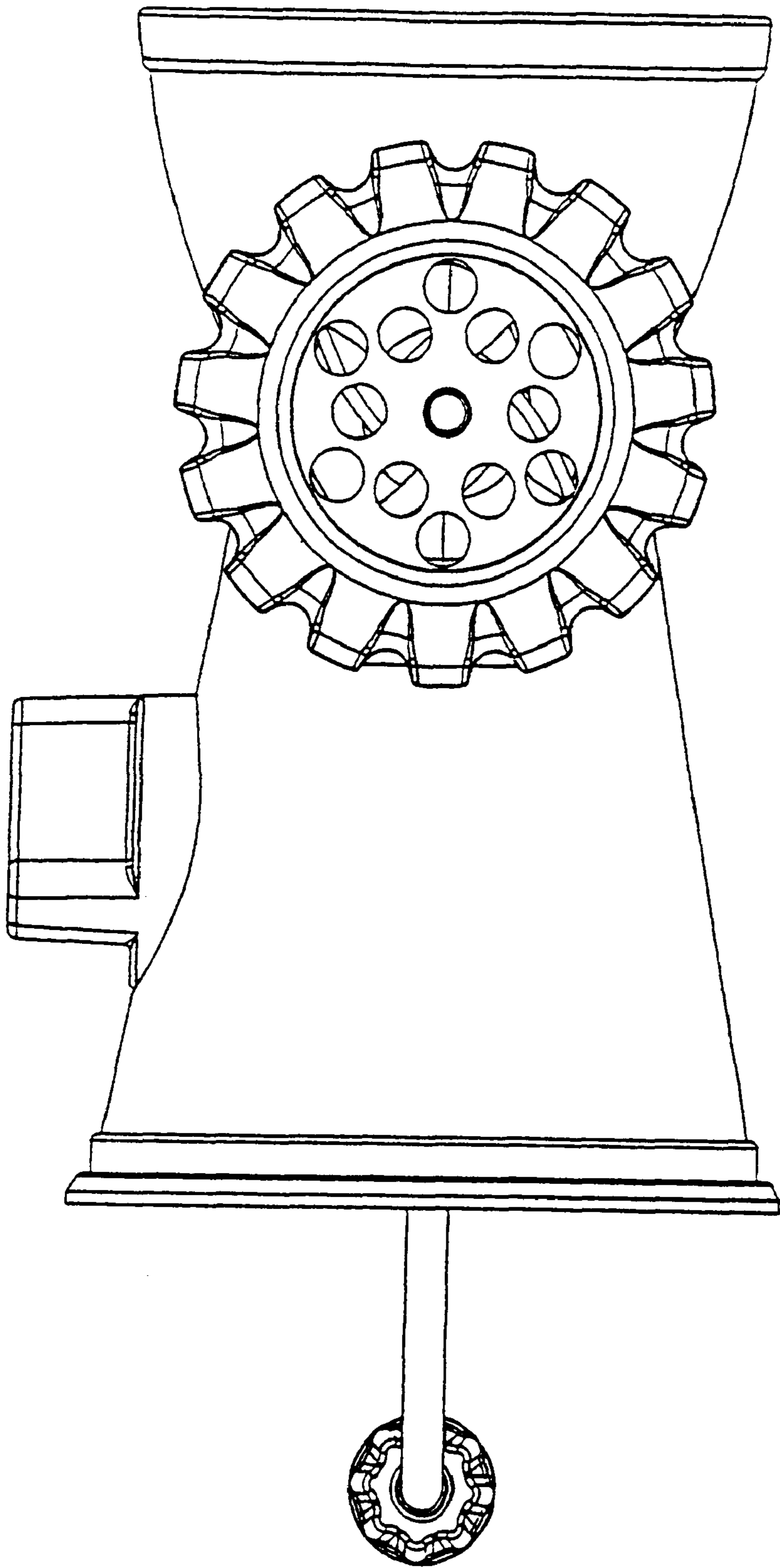


FIG. 3

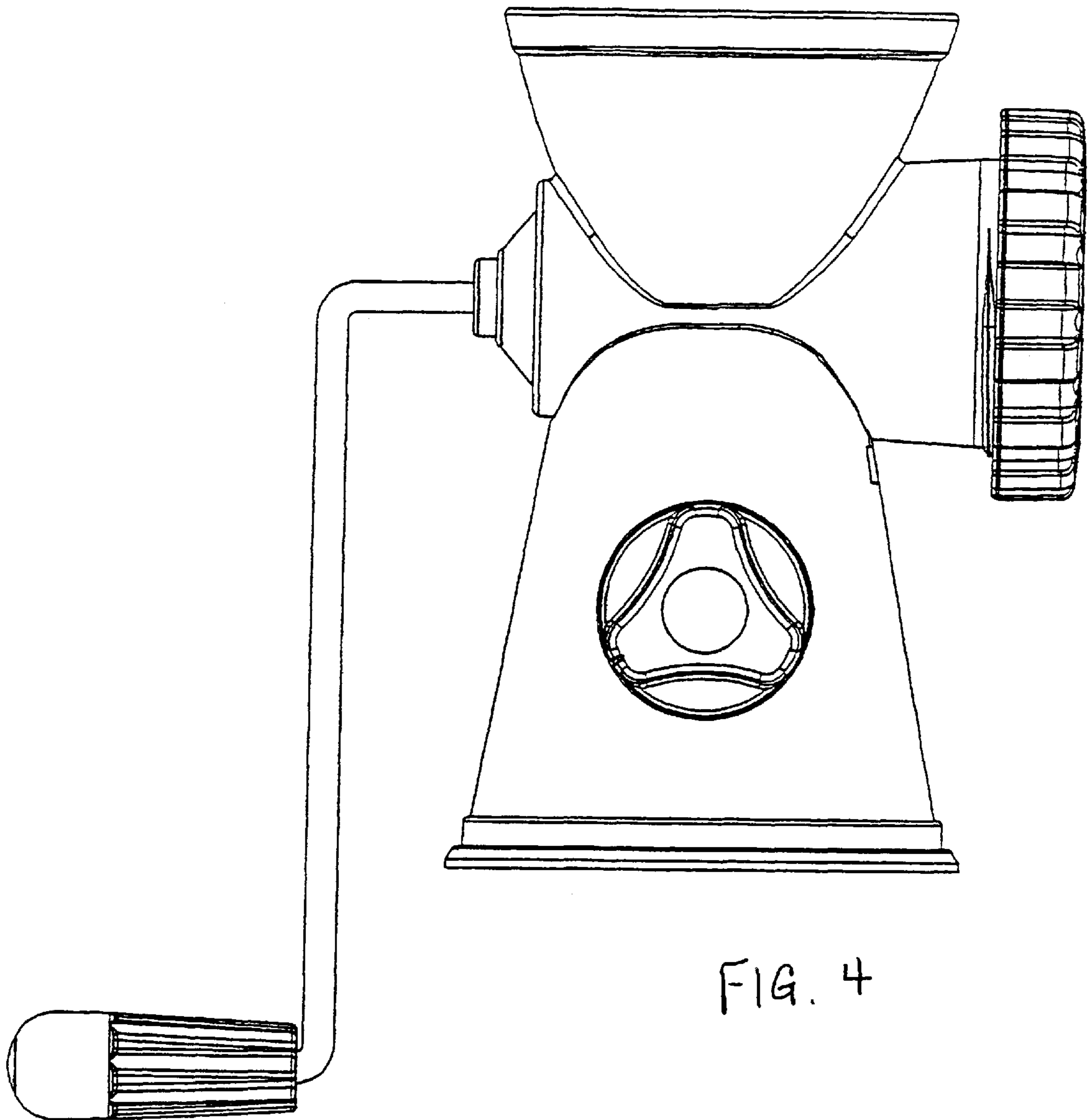


FIG. 4

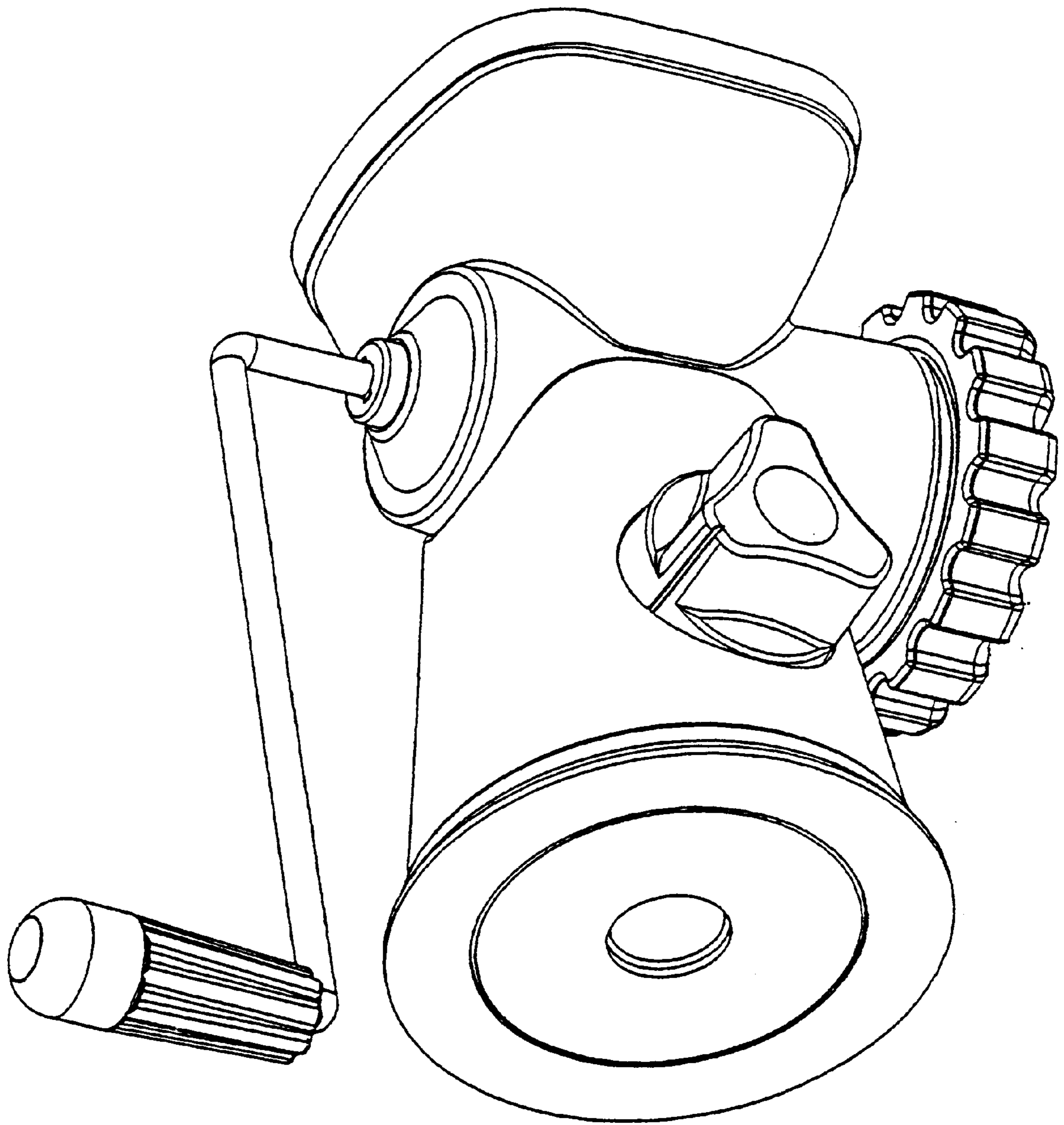


FIG. 5

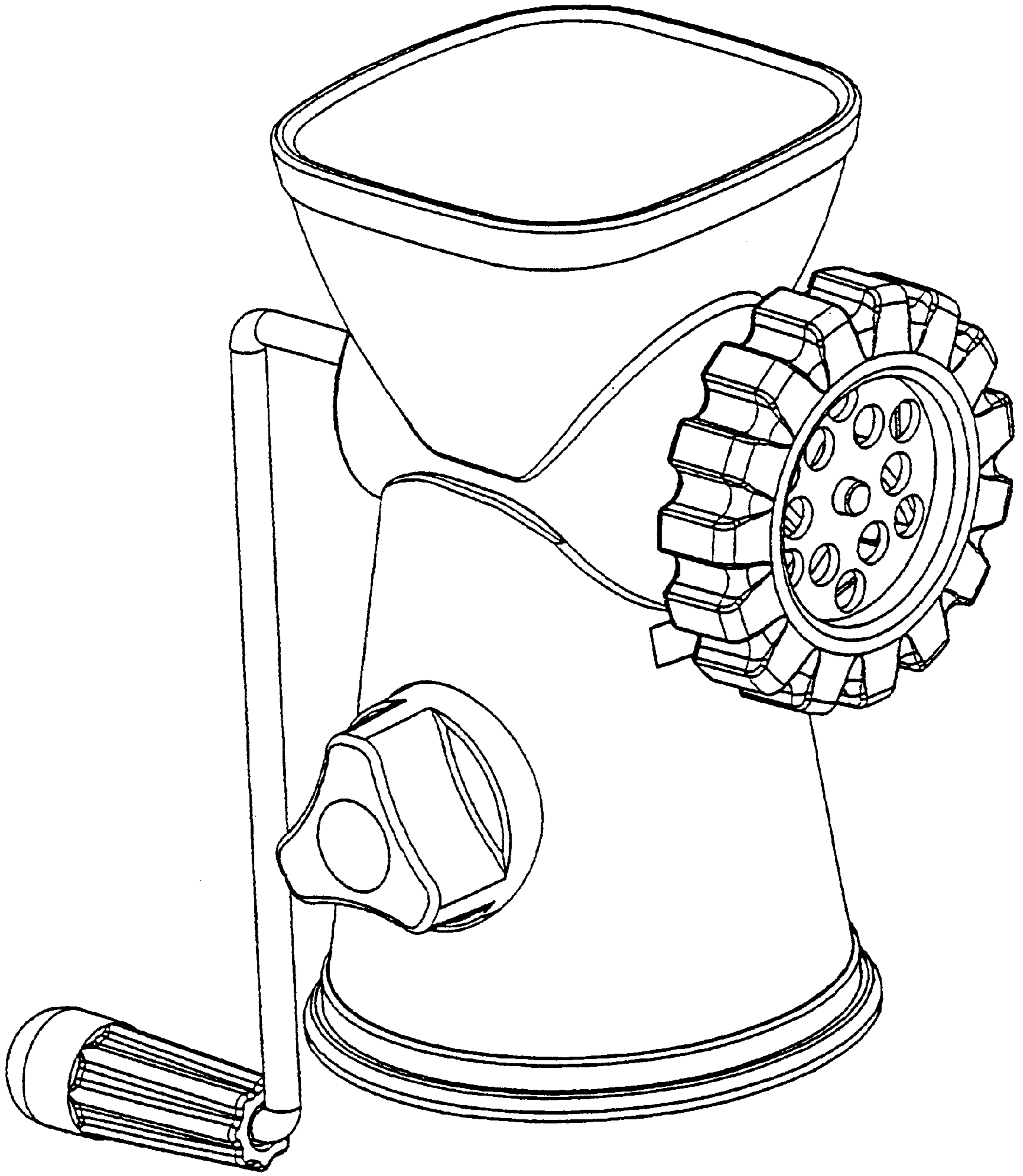


FIG. 6

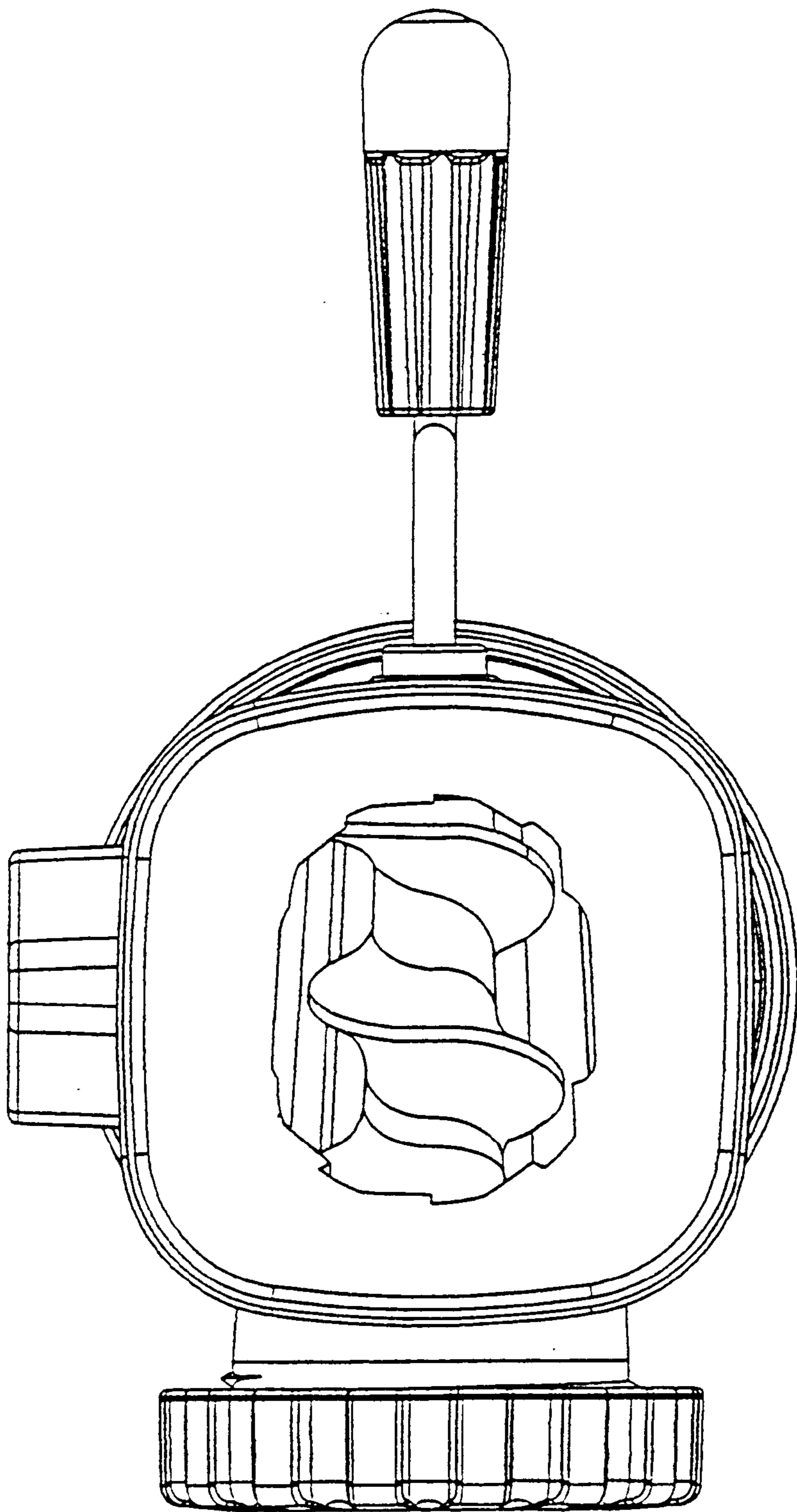


FIG. 7

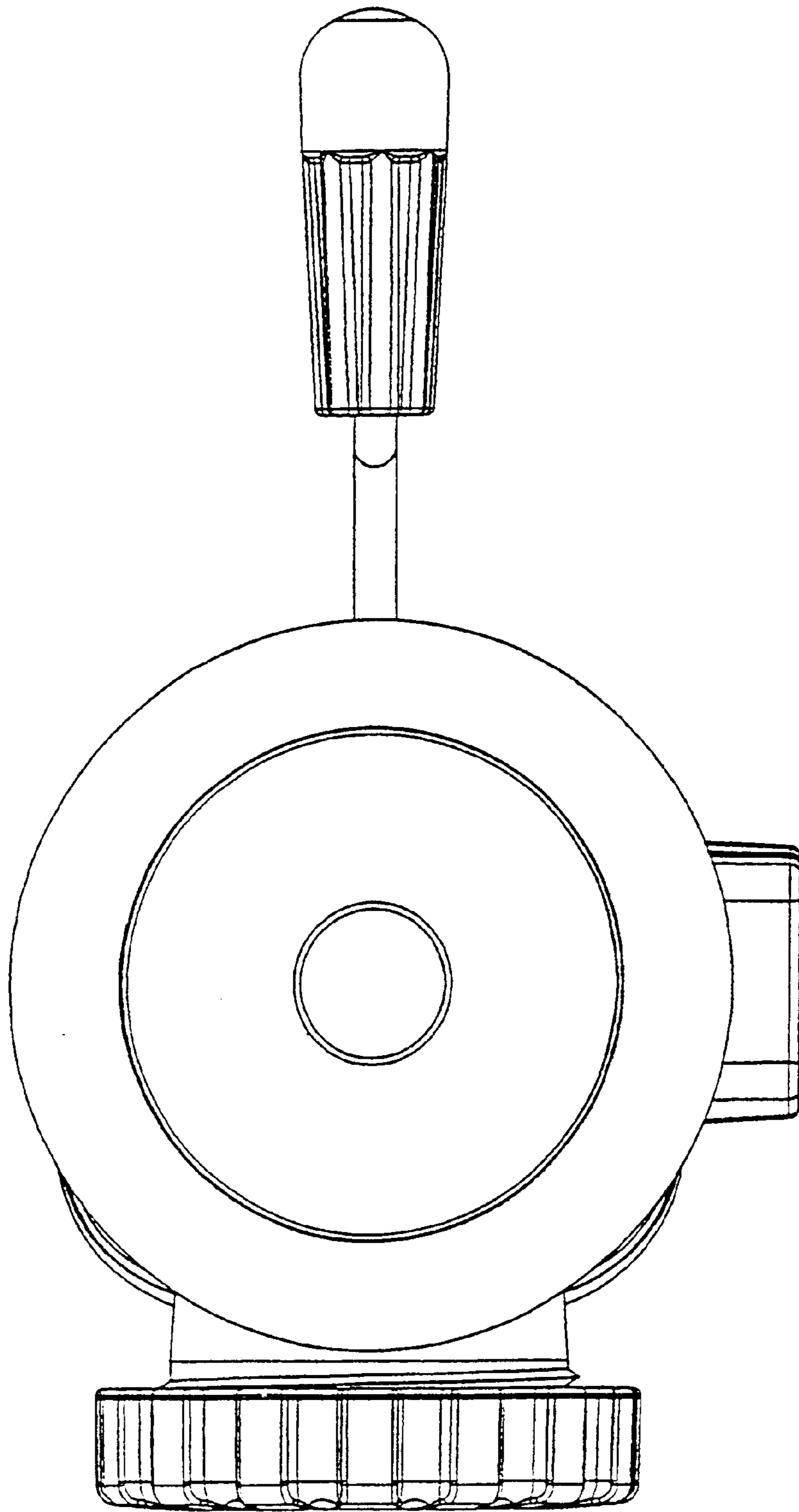


FIG. 8