



US00D424888S

United States Patent [19]
Shane-Schuldt

[11] **Patent Number: Des. 424,888**

[45] **Date of Patent: ** May 16, 2000**

[54] **SPOON**

D. 140,263 2/1945 Farber D7/663
D. 179,059 10/1956 Berk D7/663
D. 400,060 10/1998 Thompson D7/653

[75] Inventor: **Diane Shane-Schuldt**, Sherrill, N.Y.

[73] Assignee: **Oneida, Ltd.**, Oneida, N.Y.

[**] Term: **14 Years**

Primary Examiner—Caron D. Veynar
Attorney, Agent, or Firm—Wall Marjama Bilinski & Burr

[21] Appl. No.: **29/108,882**

[22] Filed: **Aug. 5, 1999**

[57] **CLAIM**

The ornamental design for a spoon, as shown and described.

[51] **LOC (7) Cl.** **07-03**

[52] **U.S. Cl.** **D7/653**

[58] **Field of Search** D7/642, 645, 653,
D7/662-664, 401.2; D8/DIG. 4; 30/147-150,
322, 324

DESCRIPTION

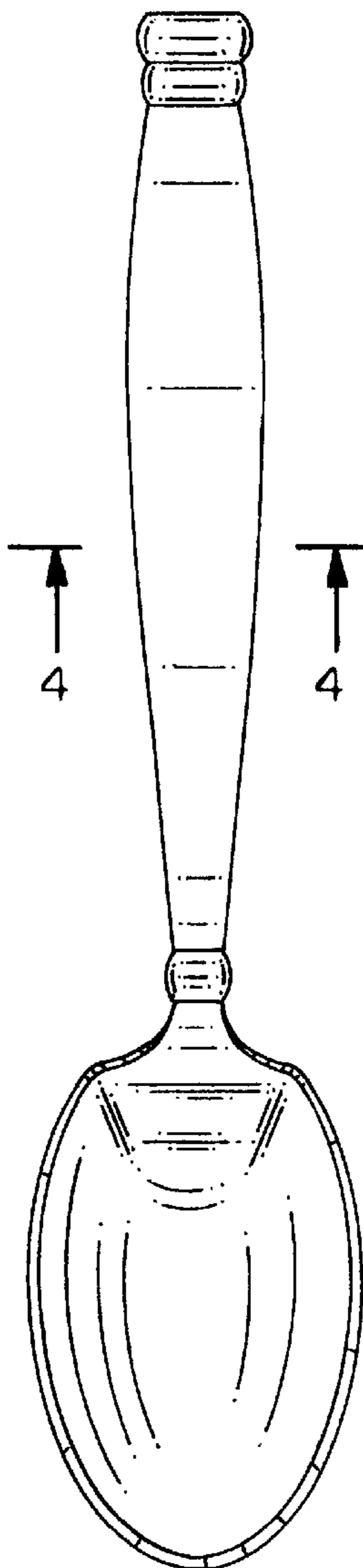
FIG. 1 is a top plan view of a spoon showing my new design;
FIG. 2 is a left side elevation view, the right side elevation
being a mirror image thereof;
FIG. 3 is a bottom plan view thereof; and,
FIG. 4 is a cross-section view taken along line 4—4 of FIG.
1.

[56] **References Cited**

U.S. PATENT DOCUMENTS

D. 50,292 2/1917 Ball D7/653

1 Claim, 1 Drawing Sheet



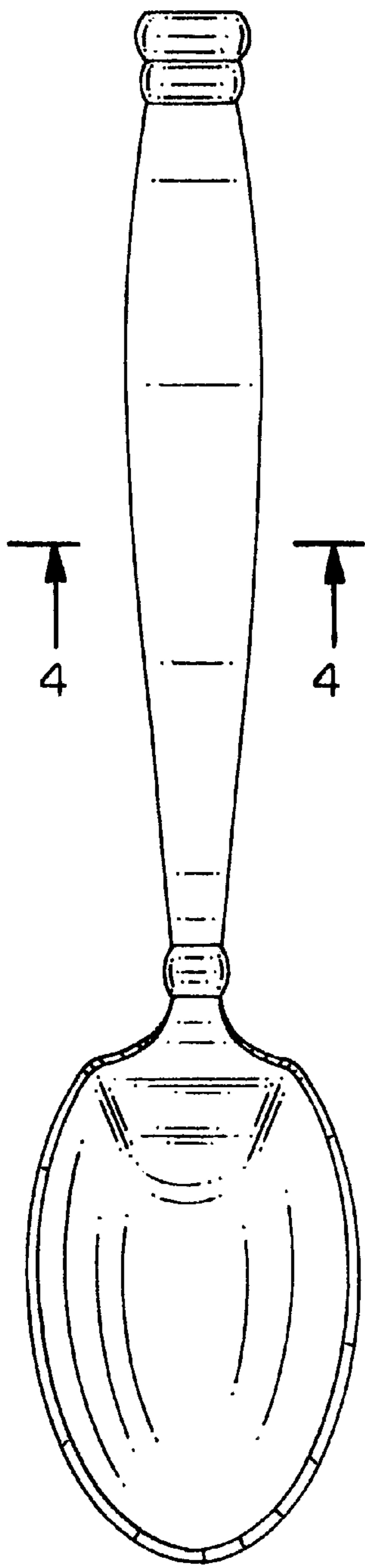


FIG. 1

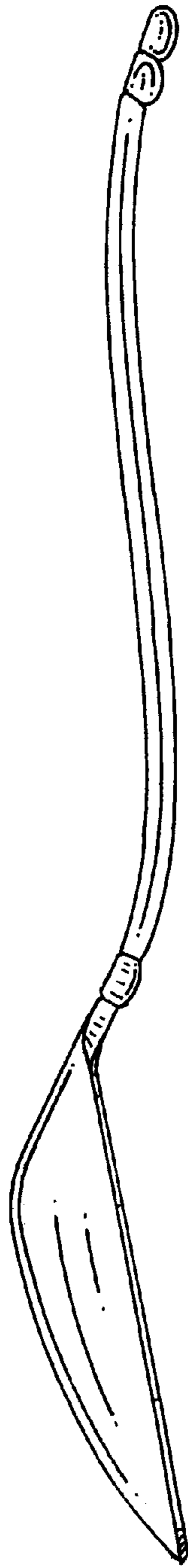


FIG. 2

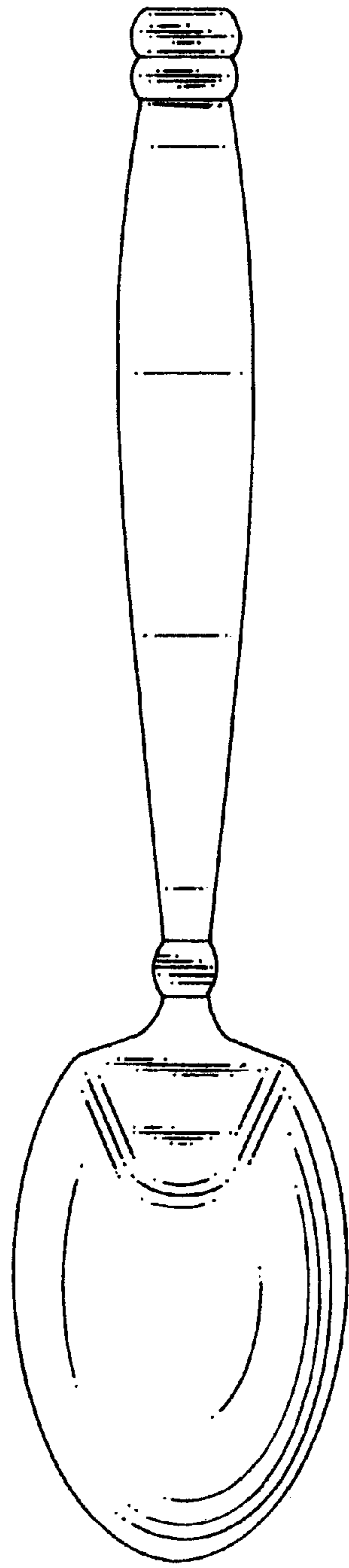


FIG. 3



FIG. 4