



US00D424885S

# United States Patent [19] Joergensen

[11] **Patent Number: Des. 424,885**

[45] **Date of Patent: \*\* May 16, 2000**

[54] **CUTLERY HOLDER**

D. 364,189 11/1995 Trombly ..... D7/641 X

[75] Inventor: **Carsten Joergensen**, St. Niklausen, Switzerland

*Primary Examiner*—Terry A. Wallace  
*Attorney, Agent, or Firm*—Nath & Associates; Gary M. Nath; Harold L. Novick

[73] Assignee: **PI-Design AG**, Triengen, Switzerland

[\*\*] Term: **14 Years**

[57] **CLAIM**

[21] Appl. No.: **29/101,144**

The ornamental design for a cutlery holder, as shown and described.

[22] Filed: **Feb. 24, 1999**

**DESCRIPTION**

[30] **Foreign Application Priority Data**

Aug. 25, 1998 [DK] Denmark ..... 1998 00861

FIG. 1 is an oblique perspective view of the cutlery holder; FIG. 2 is a right side view of the cutlery holder, as shown in FIG. 1;

[51] **LOC (7) Cl.** ..... **07-99**

[52] **U.S. Cl.** ..... **D7/640**

FIG. 3 is a left side view of the cutlery holder; FIG. 4 is a front side view of the cutlery holder; FIG. 5 is a backside view of the cutlery holder; FIG. 6 is a top view of the cutlery holder; and, FIG. 7 is a bottom view of the cutlery holder.

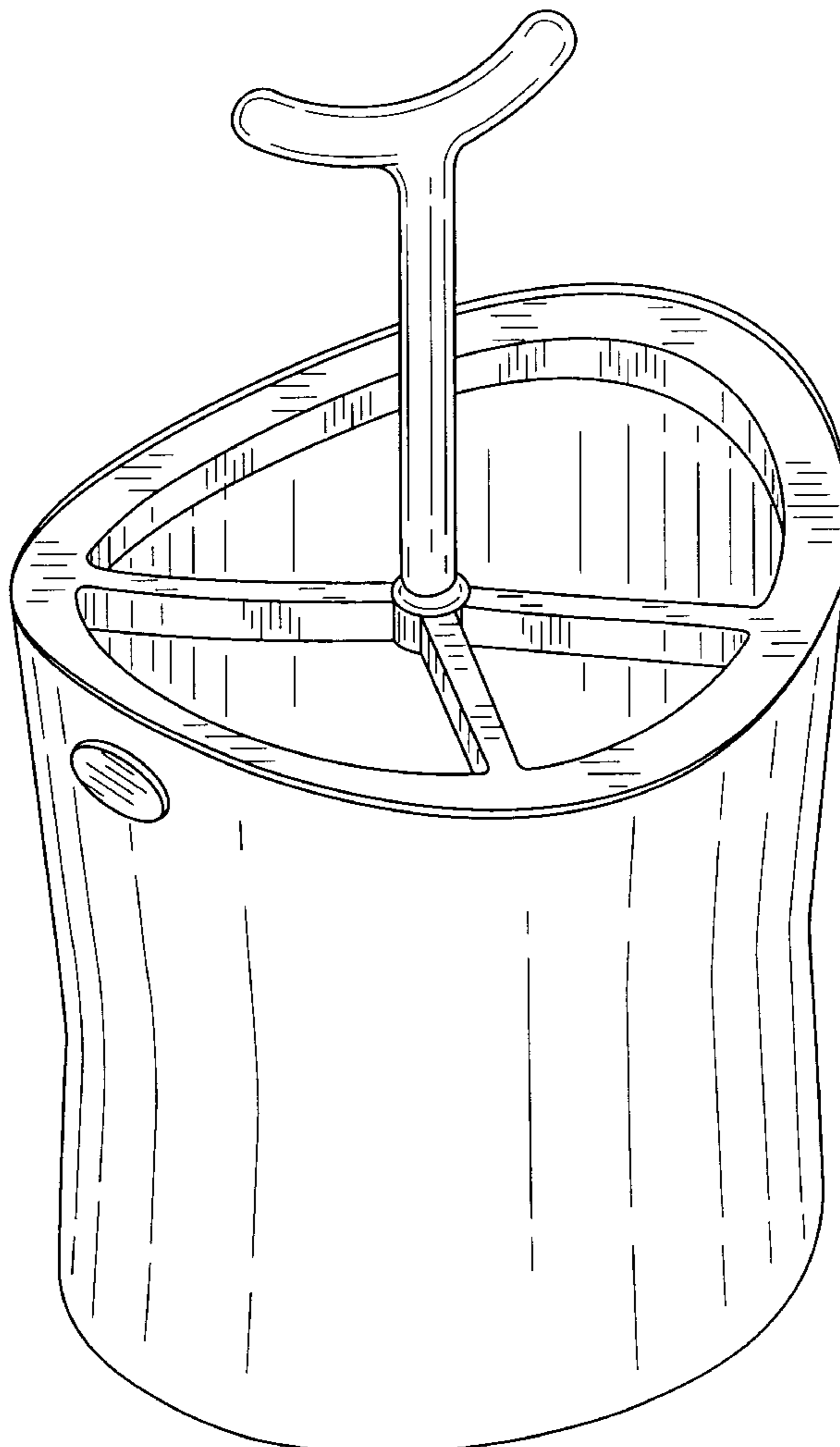
[58] **Field of Search** ..... D7/637-641; D19/65, D19/75, 77, 78, 81-85; D32/2, 3, 55; 211/60.1, 70.6, 70.7, 71.01

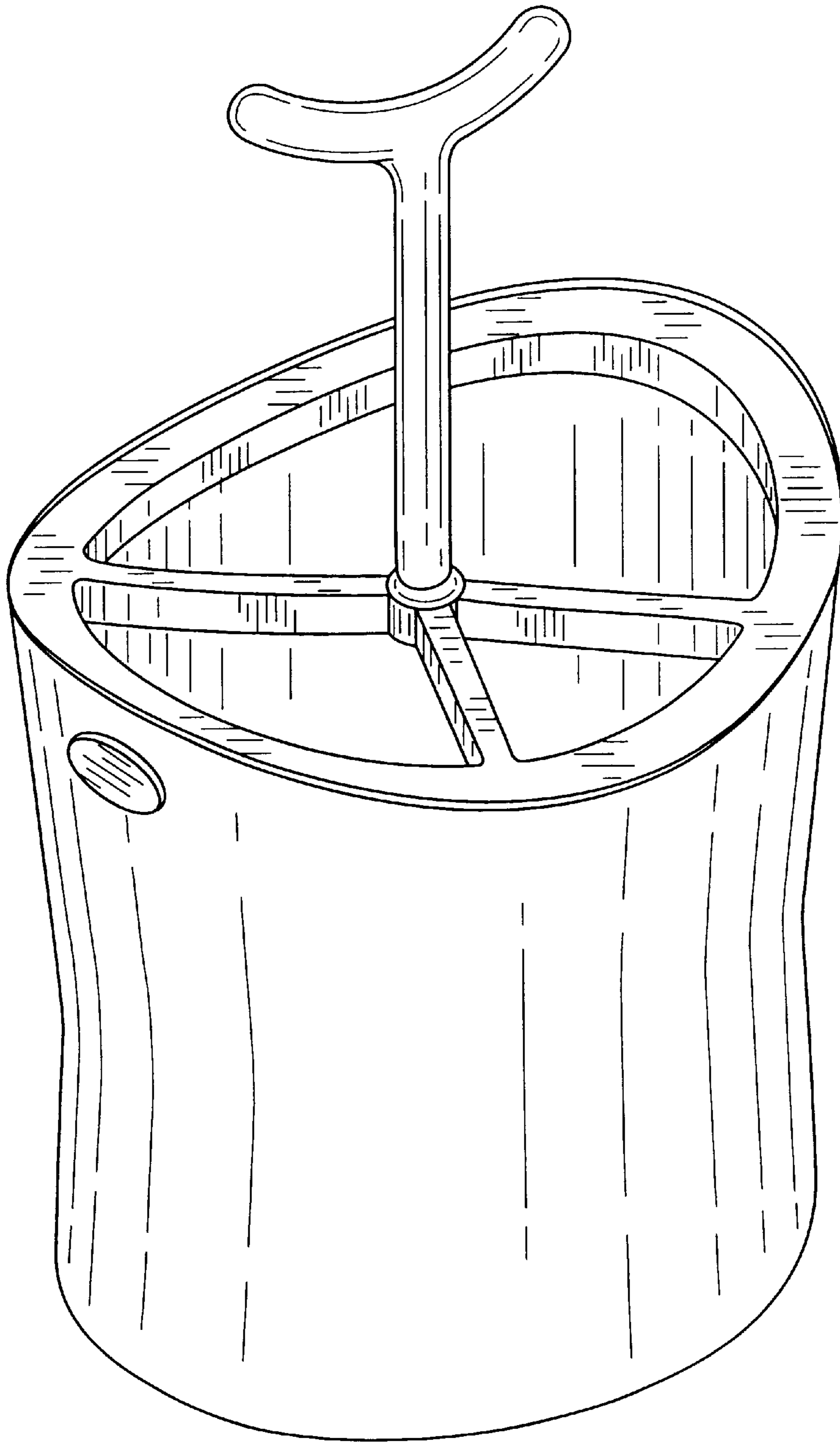
[56] **References Cited**

**U.S. PATENT DOCUMENTS**

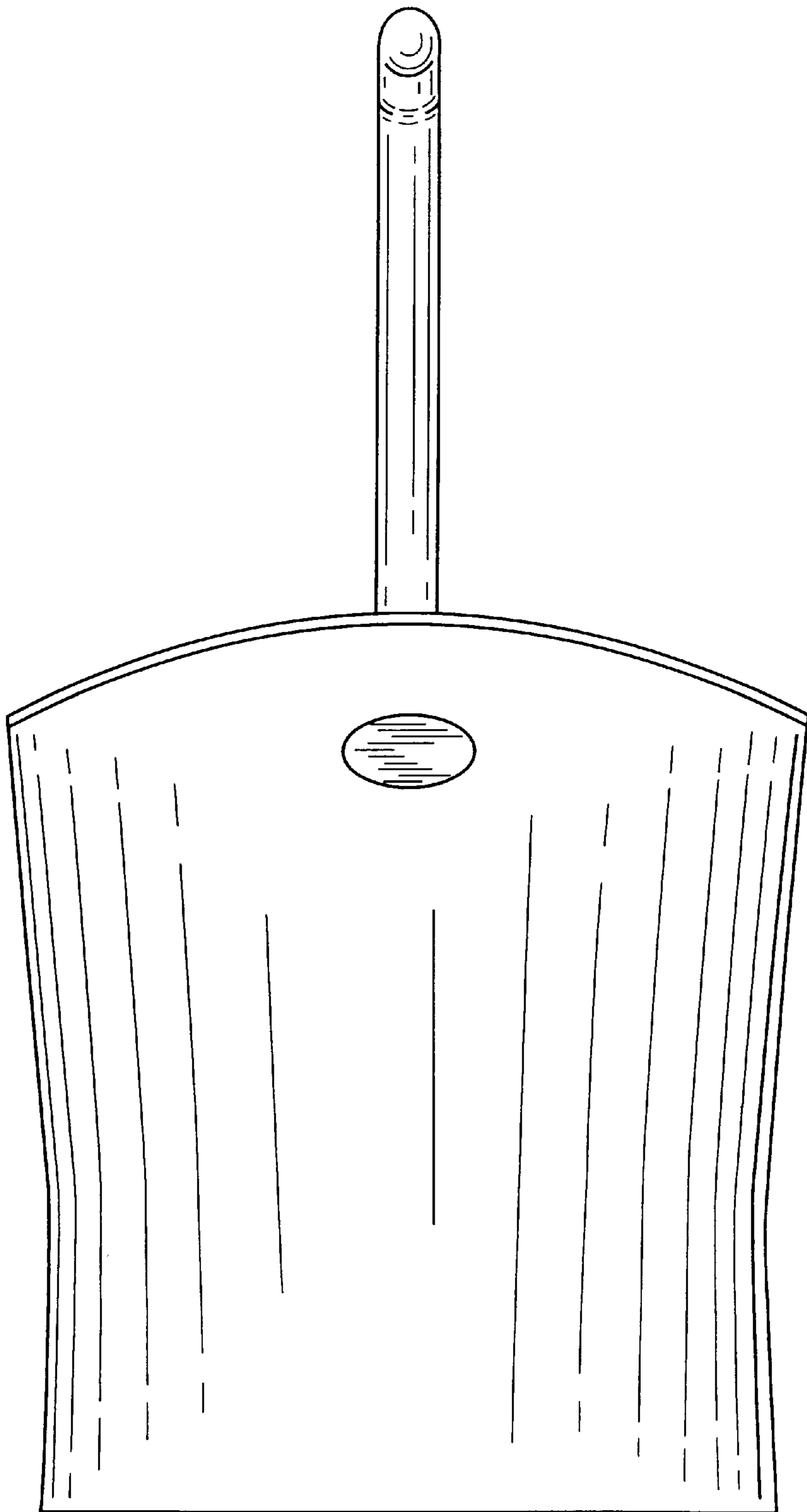
D. 334,265 3/1993 Giugiaro ..... D7/637 X

**1 Claim, 7 Drawing Sheets**

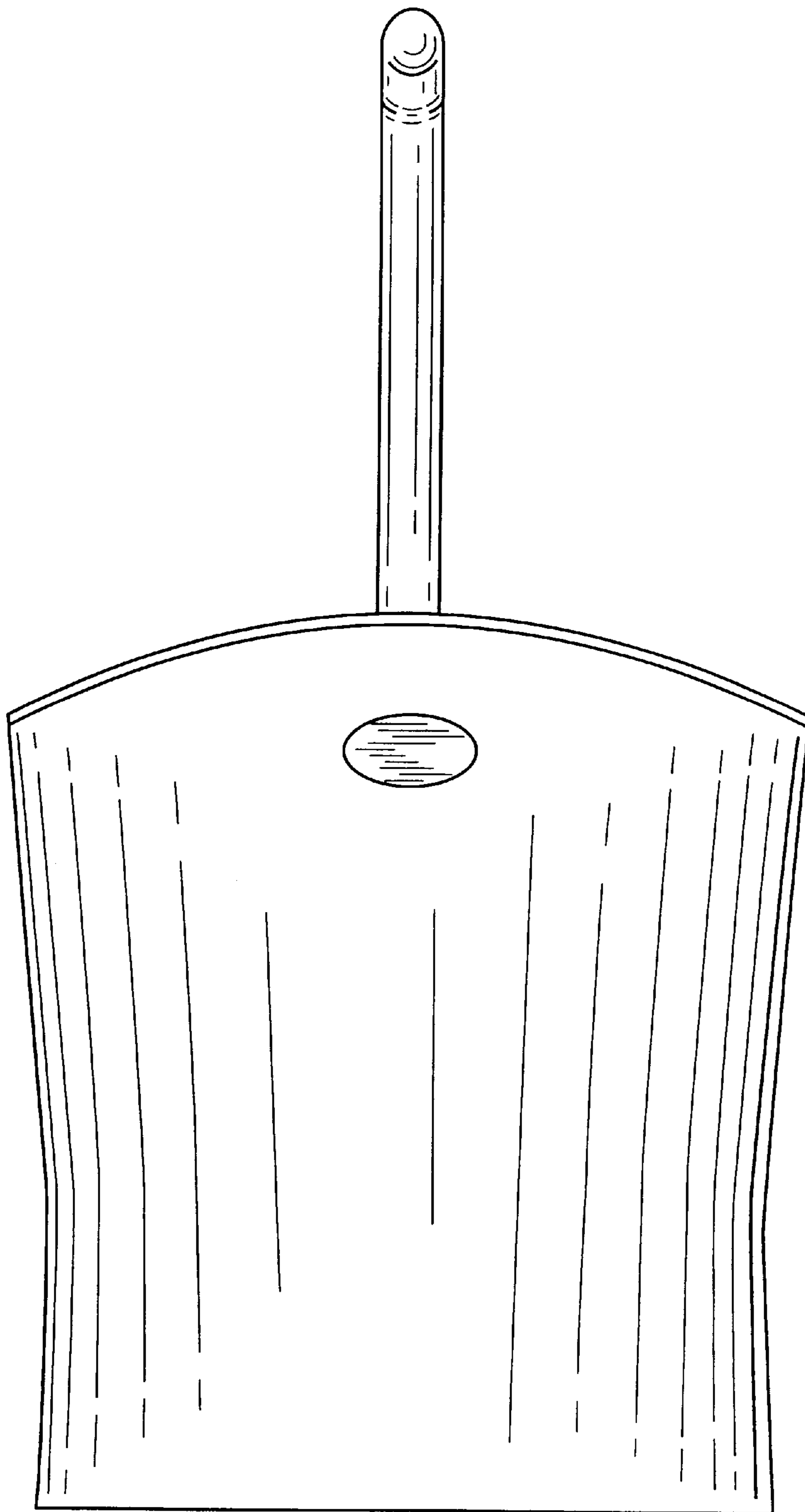




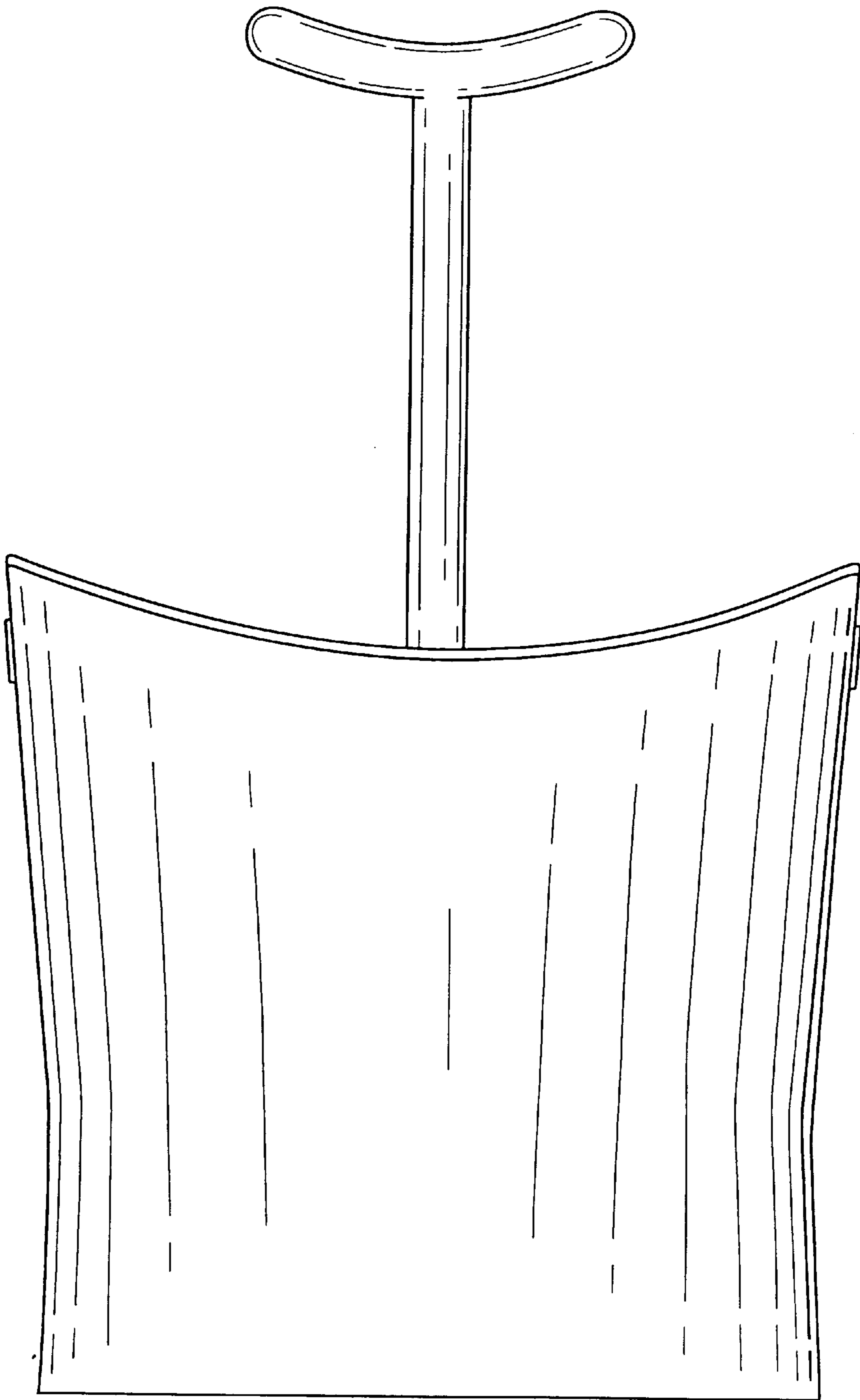
**FIG. 1**



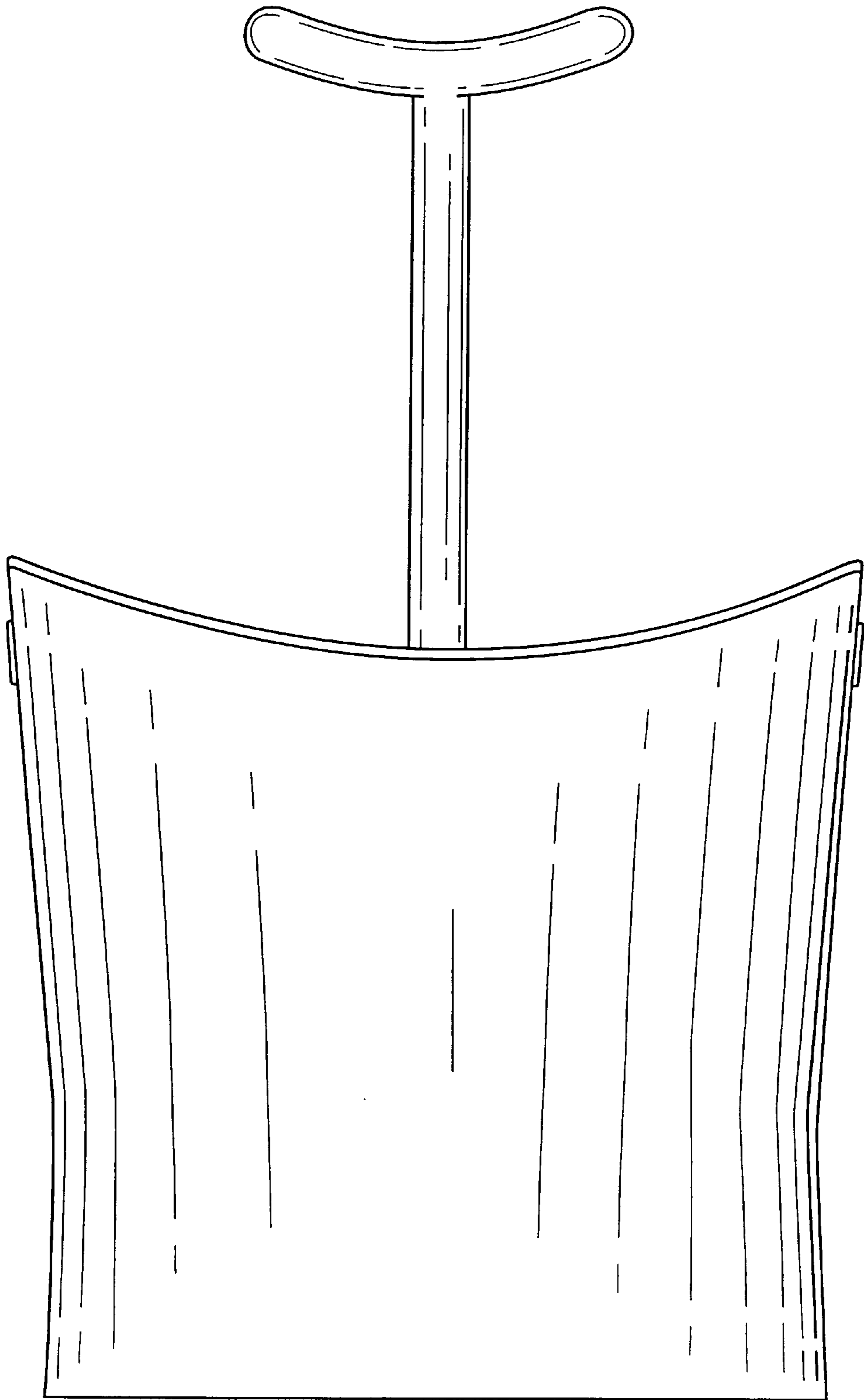
**FIG. 2**



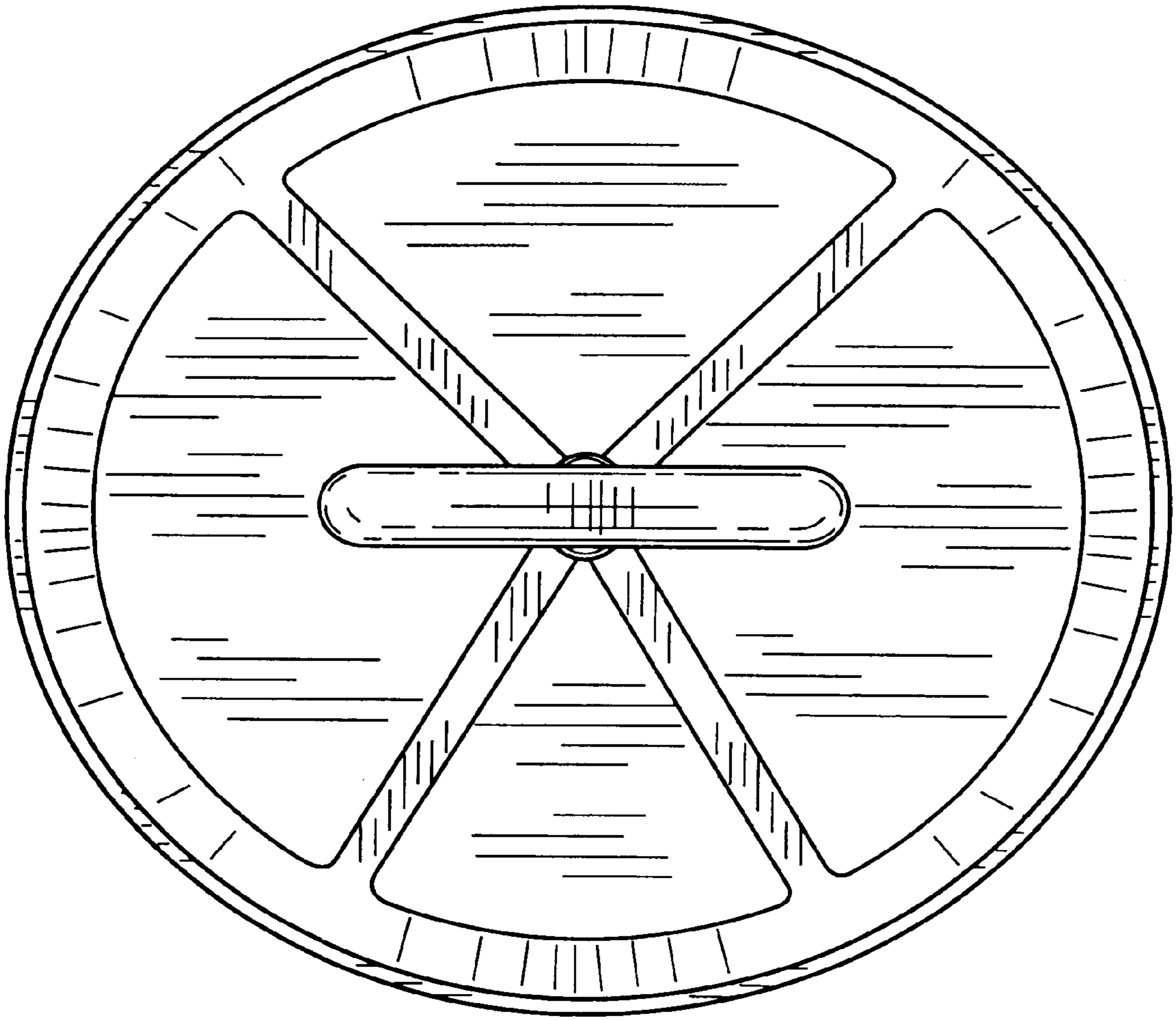
**FIG. 3**



**FIG. 4**

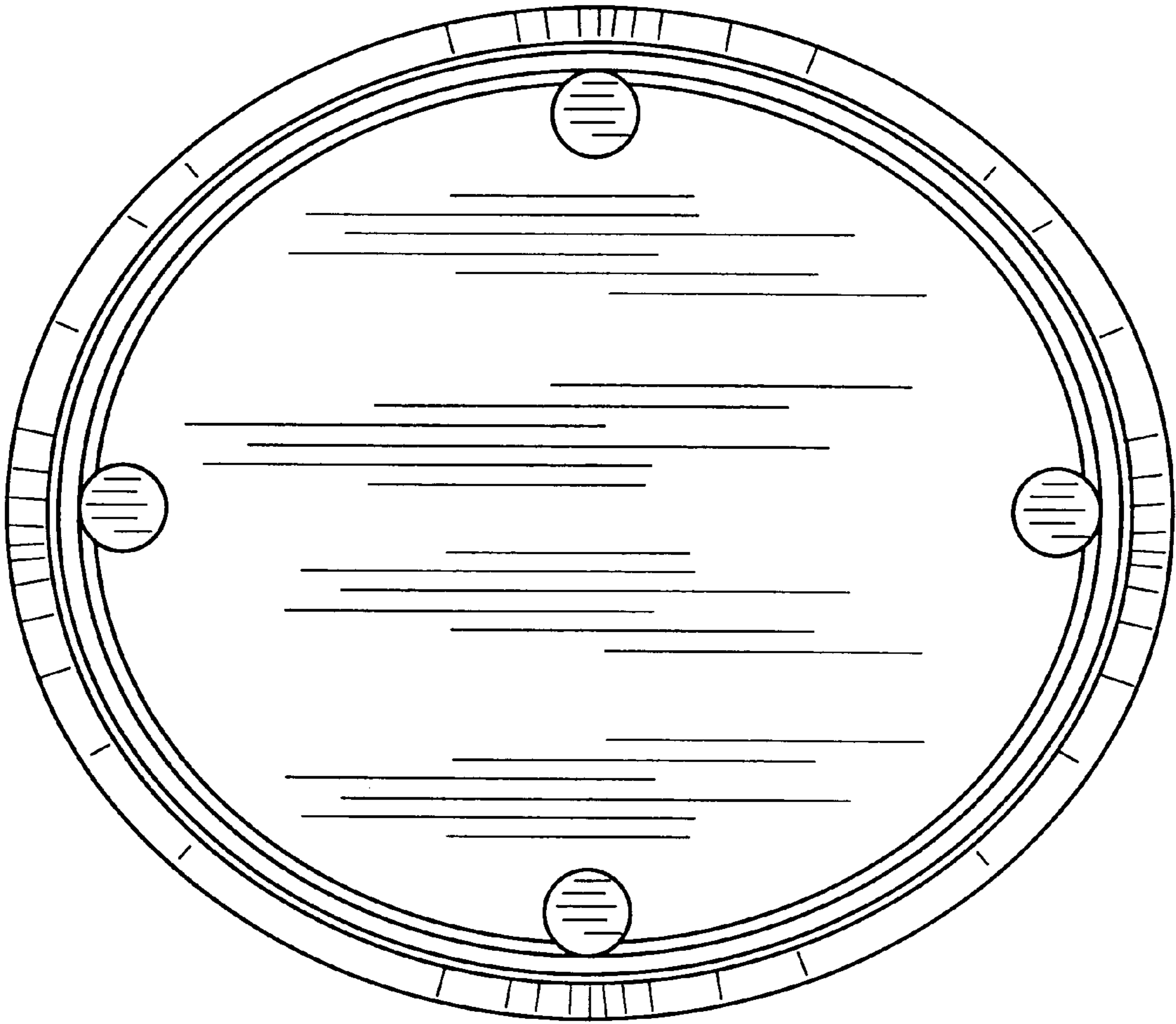


**FIG. 5**



**FIG. 6**





**FIG. 7**