



US00D424883S

United States Patent [19]
Jarvis et al.

[11] **Patent Number: Des. 424,883**
[45] **Date of Patent: ** May 16, 2000**

[54] **ICE AND FOOD CONTAINER**
[75] Inventors: **Charles W. Jarvis**, Irvine; **Larry D. Maddux**, Westminster, both of Calif.
[73] Assignee: **Cambro Manufacturing Company**, Huntington Beach, Calif.
[**] Term: **14 Years**
[21] Appl. No.: **29/110,943**
[22] Filed: **Sep. 16, 1999**
[51] **LOC (7) Cl.** **07-07**
[52] **U.S. Cl.** **D7/605**
[58] **Field of Search** D7/605; D34/12, D34/14, 17, 19; 62/371, 457.1, 457.7; 220/592.2, 592.24-592.27, 915.1, 915.2; 280/43.1, 43.24, 47.34, 47, 26, 651, 652, 645, 655.1

D. 369,695 5/1996 Imotani D7/605 X
Primary Examiner—Terry A. Wallace
Attorney, Agent, or Firm—George F. Bethel

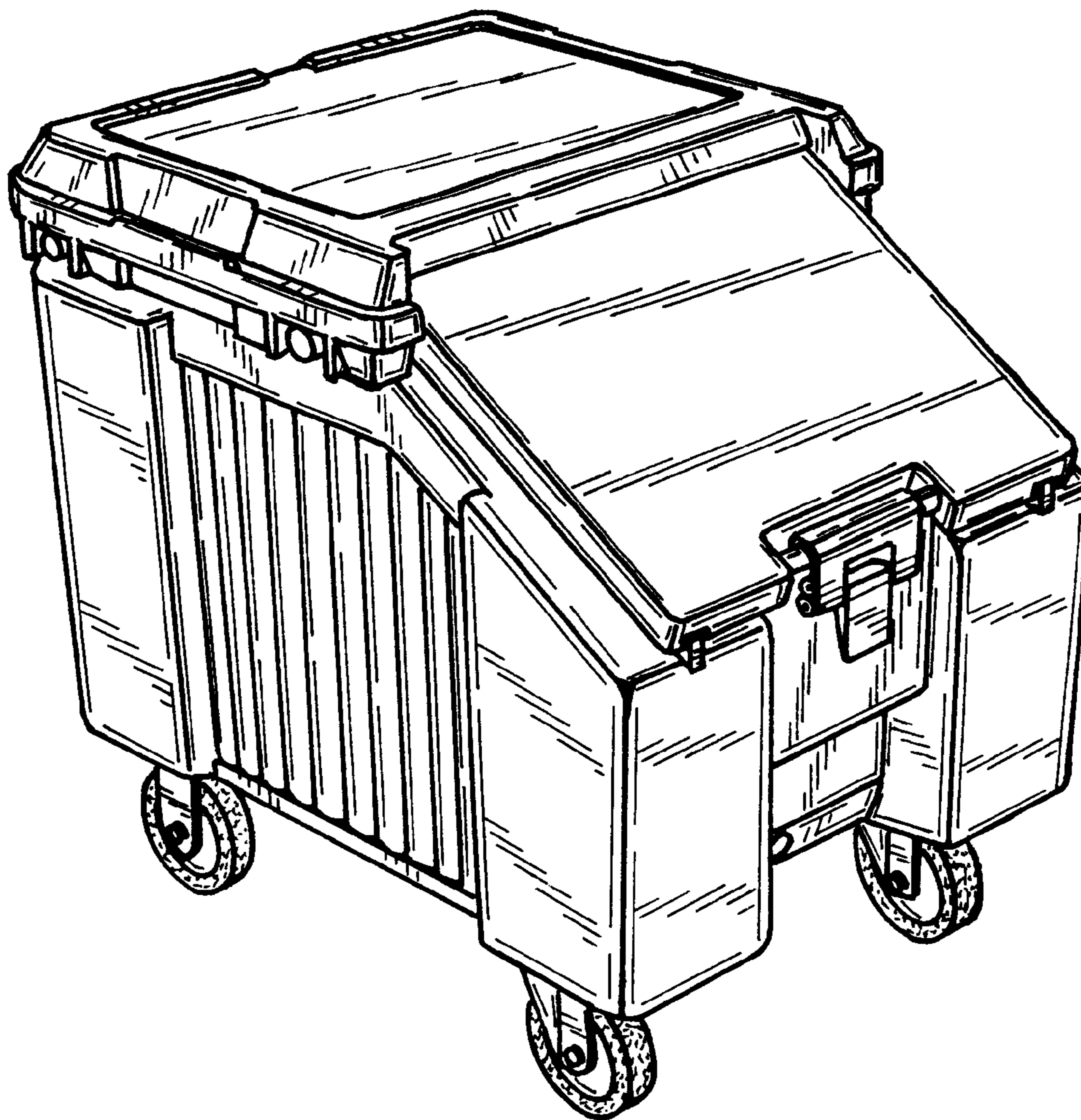
[57] **CLAIM**
We claim the ornamental design for an ice and food container, as shown and described.

DESCRIPTION

FIG. 1 shows a perspective view of the ice and food container of this invention.
FIG. 2 shows a side elevation view looking from the left side of FIG. 1.
FIG. 3 shows a front elevation view looking from the right side of FIG. 1.
FIG. 4 shows a top plan view.
FIG. 5 shows a rear elevation view.
FIG. 6 shows a side elevation view looking from the right side of FIG. 1.
FIG. 7 shows a bottom plan view looking upwardly at the bottom of the ice and food container.

[56] **References Cited**
U.S. PATENT DOCUMENTS
D. 366,599 1/1996 Brown et al. D7/605

1 Claim, 3 Drawing Sheets



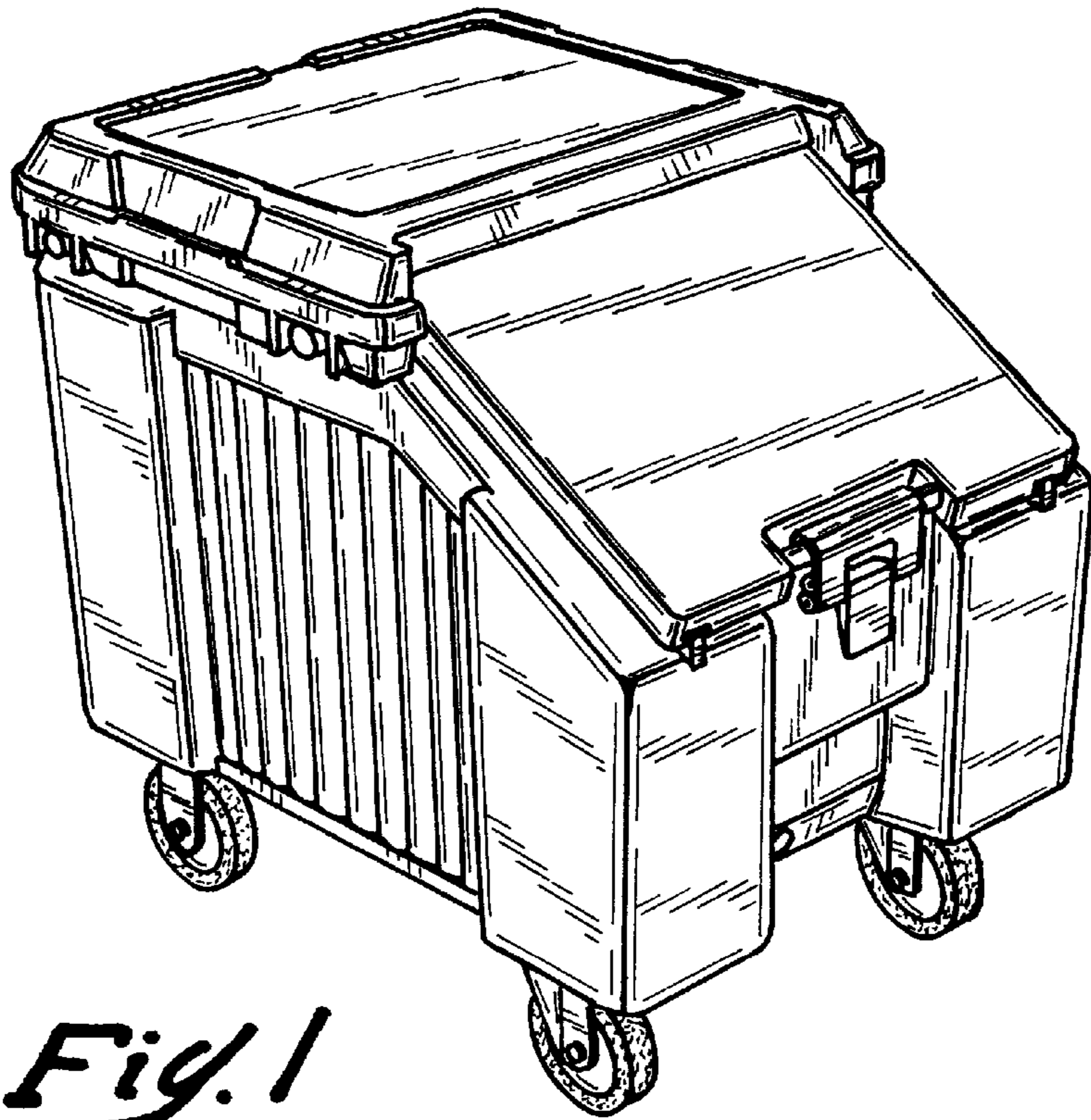
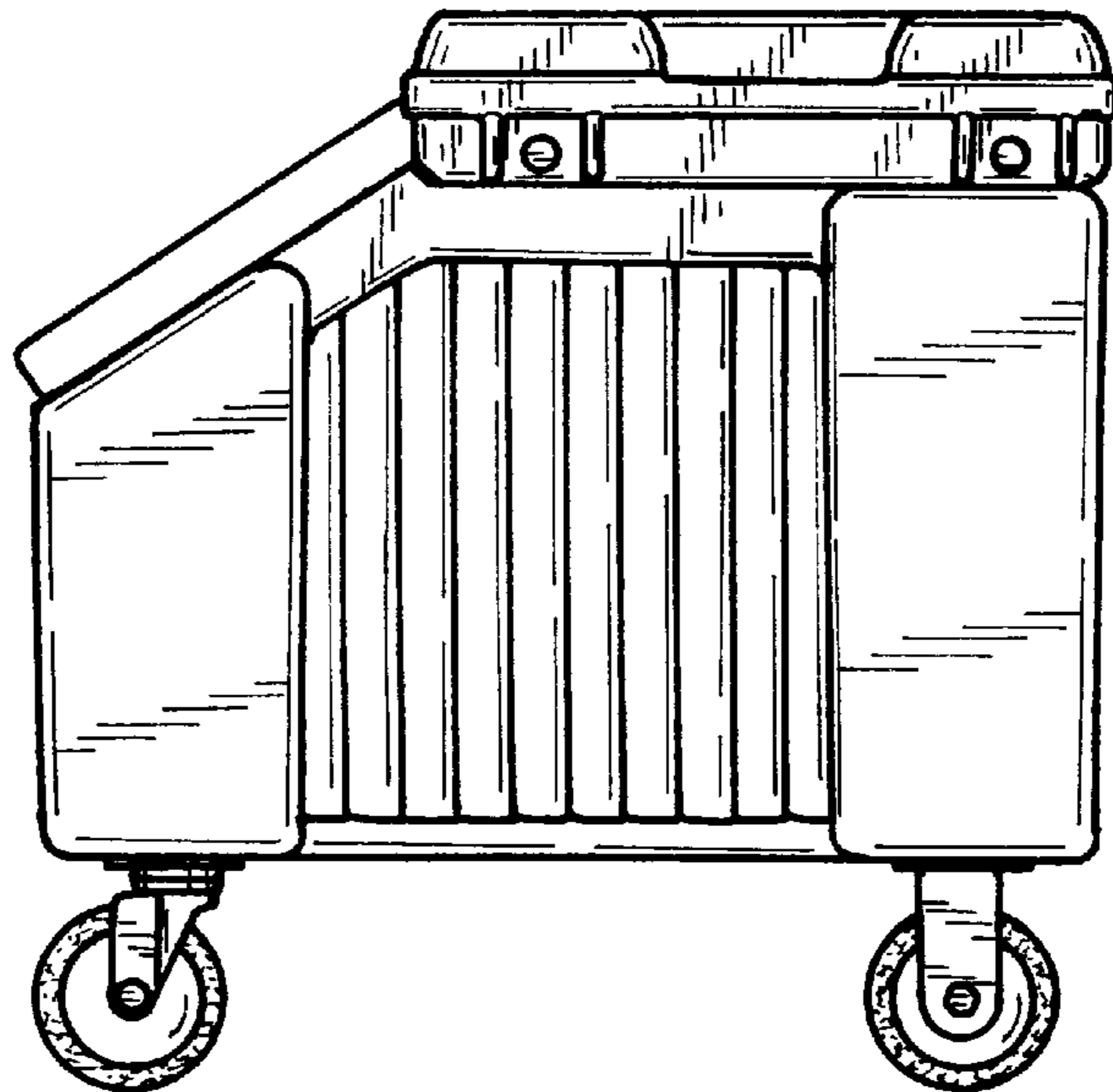


Fig. 1

Fig. 6



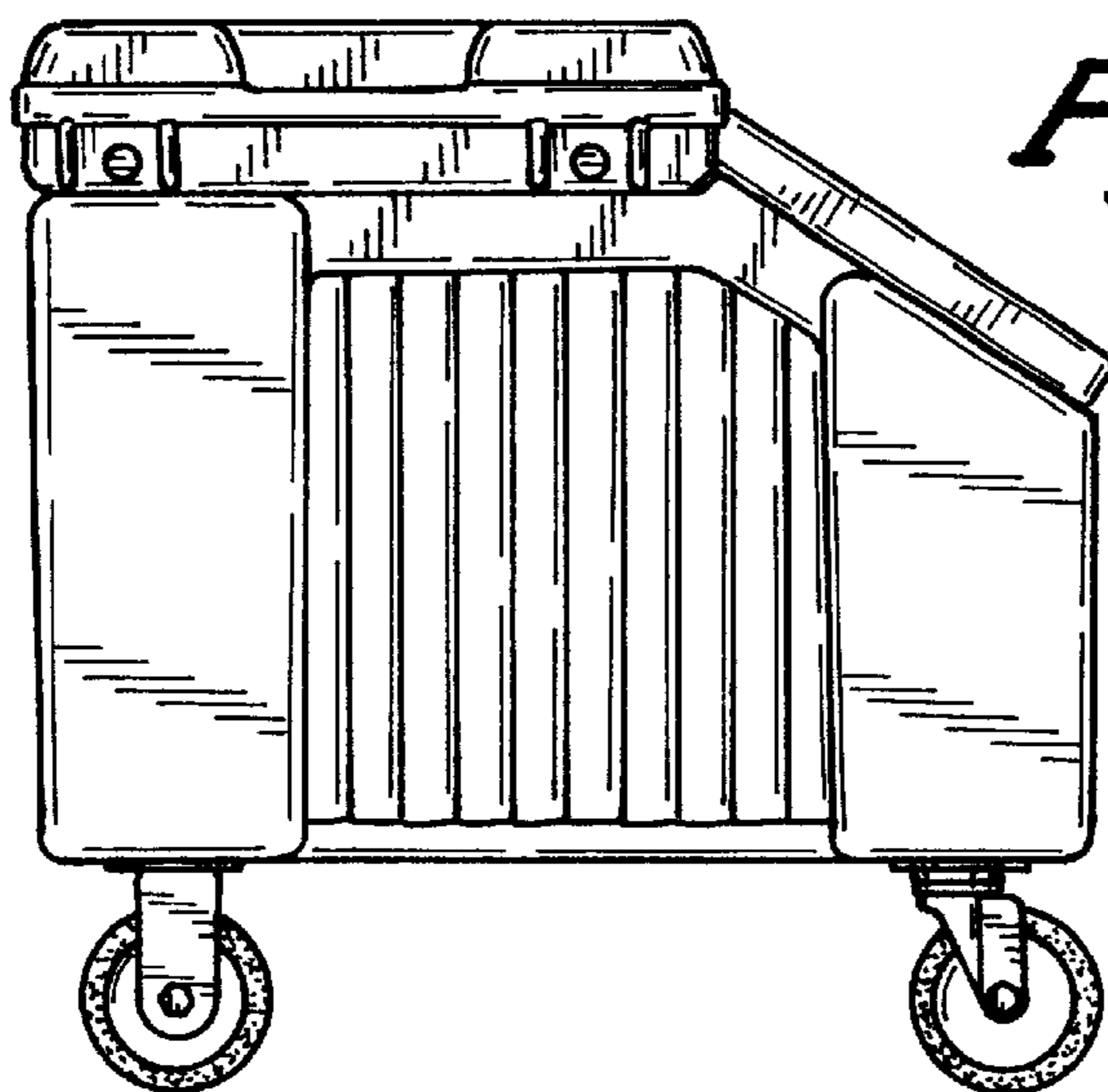


Fig. 2

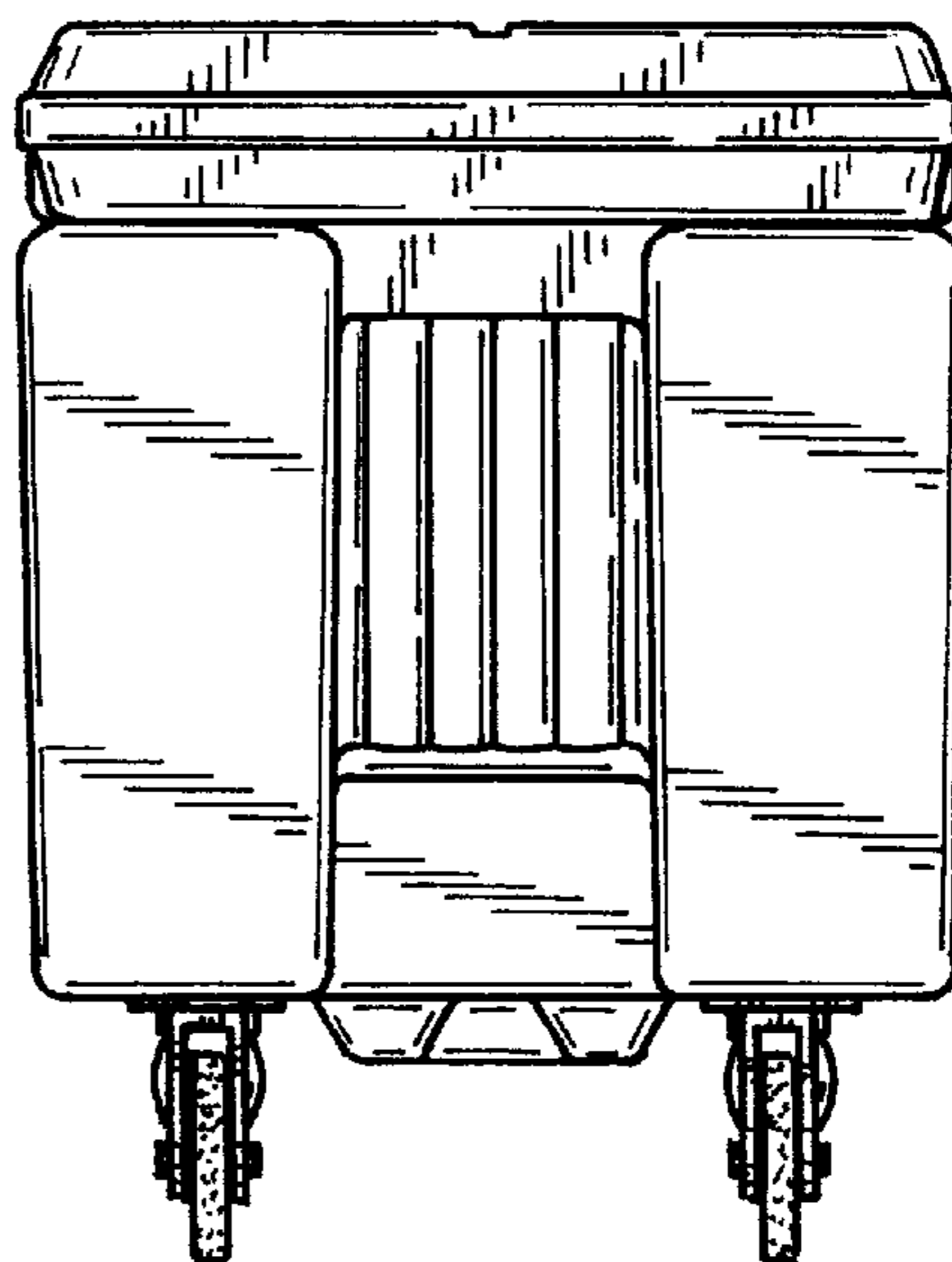


Fig. 5

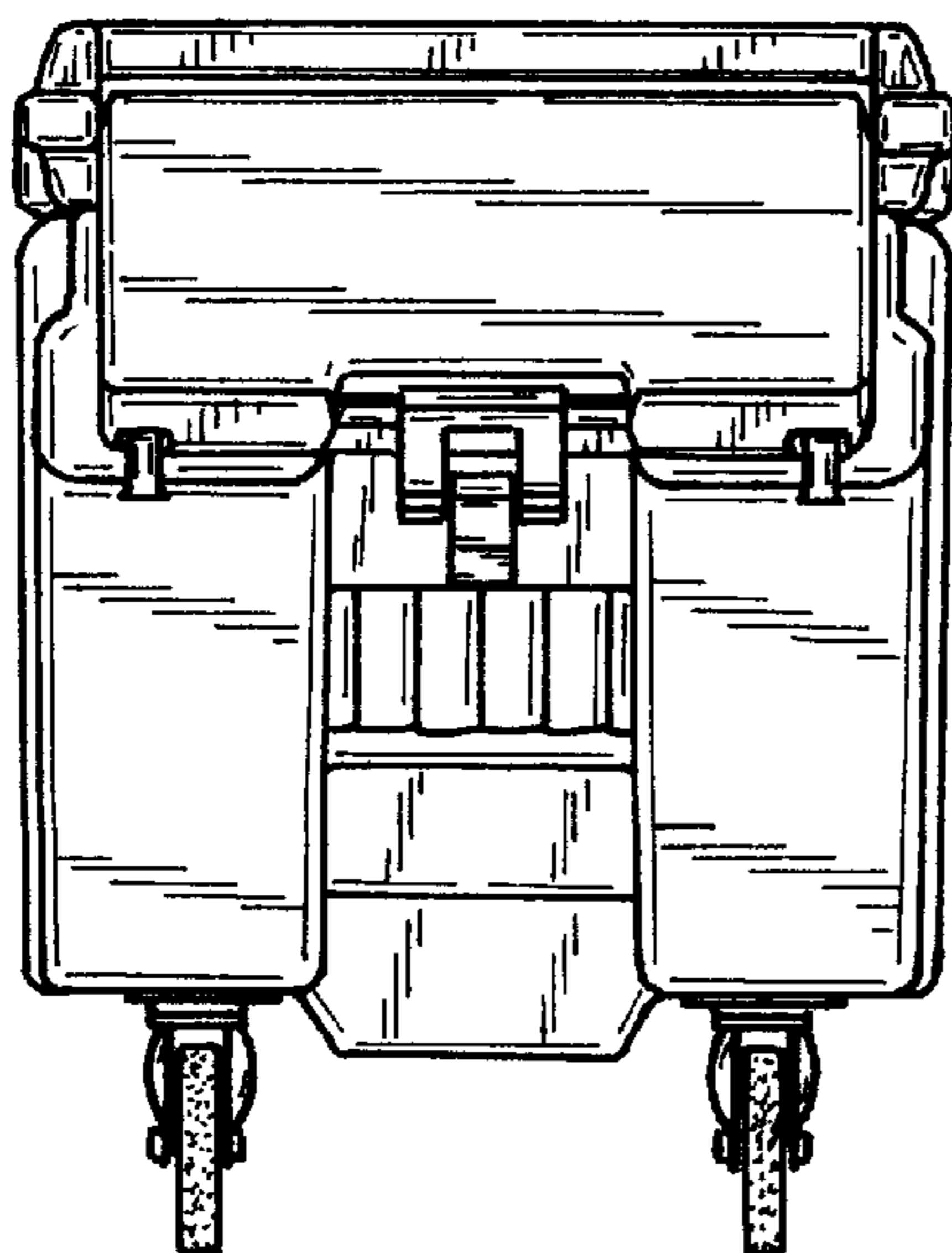


Fig. 3

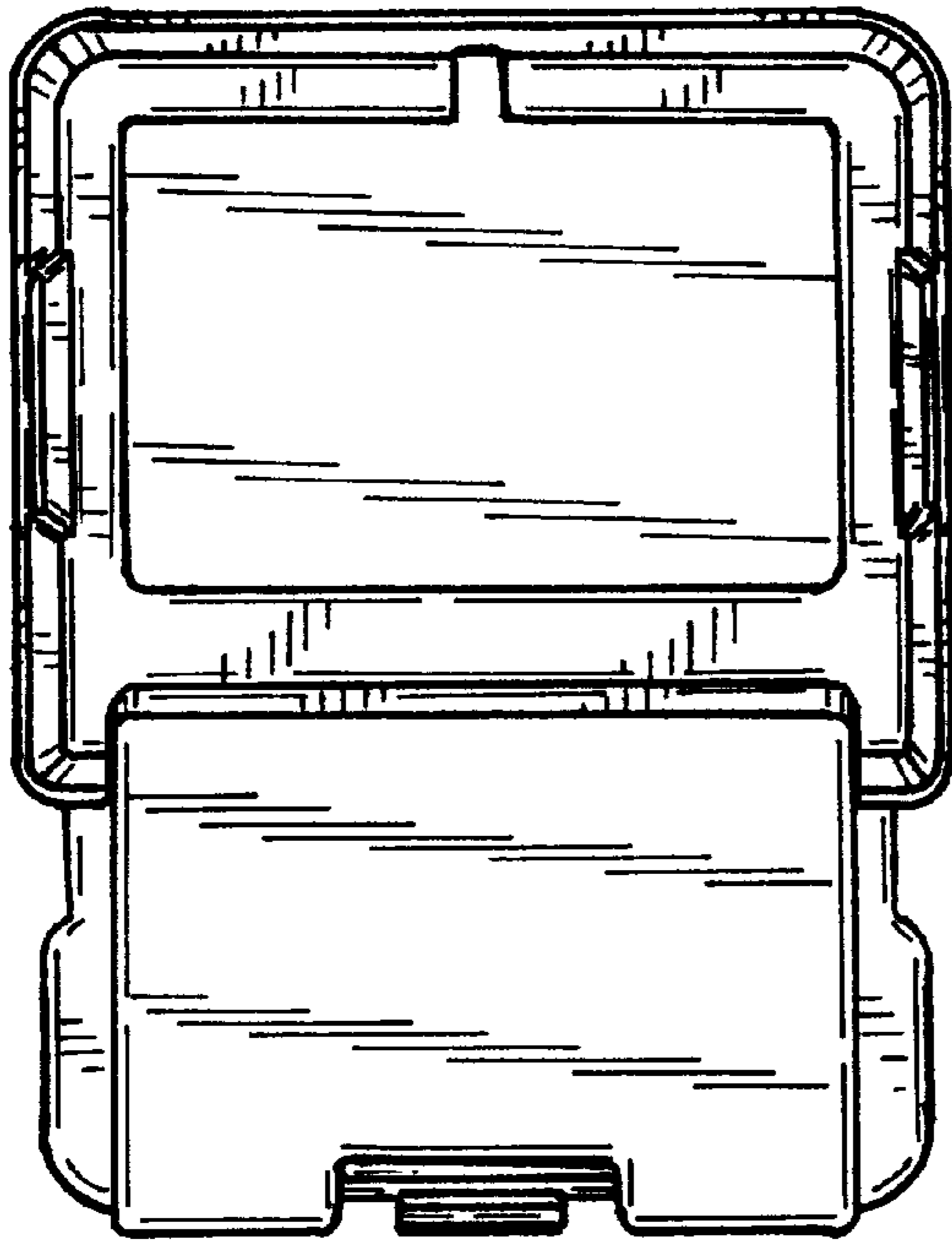


Fig. 4

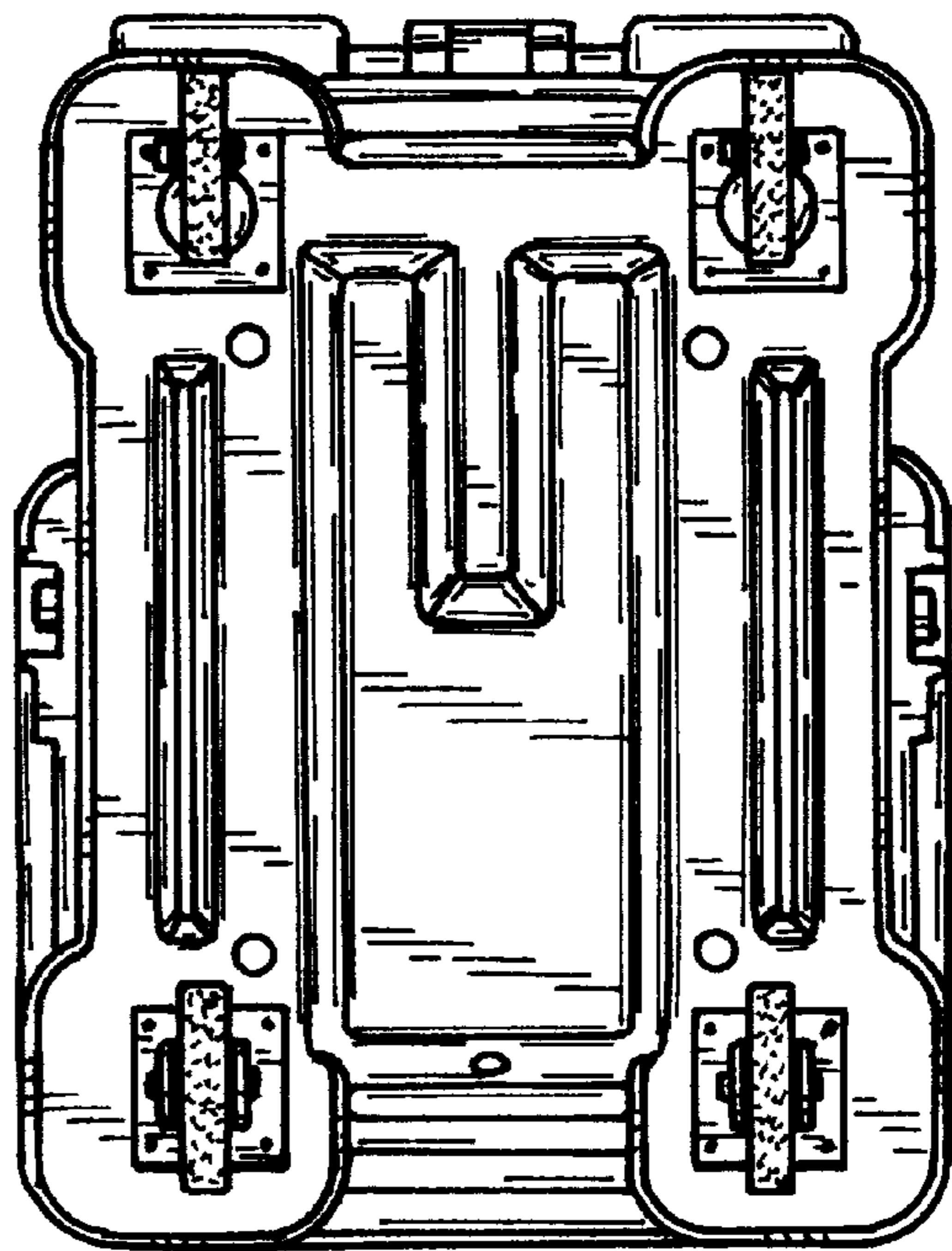


Fig. 7