



US00D424881S

# United States Patent [19] Sundberg

[11] Patent Number: **Des. 424,881**

[45] Date of Patent: **\*\* May 16, 2000**

[54] TABLEWARE PLATE

[75] Inventor: **Brian C. Sundberg**, Chester, N.H.

[73] Assignee: **Safety 1st, Inc.**, Canton, Mass.

[\*\*] Term: **14 Years**

[21] Appl. No.: **29/100,391**

[22] Filed: **Feb. 10, 1999**

[51] LOC (7) Cl. .... **07-01**

[52] U.S. Cl. .... **D7/545; D7/543; D7/558;**  
D7/554.2

[58] Field of Search ..... D7/501, 505, 538,  
D7/540, 541, 542, 543, 545, 546, 549,  
553.6, 553.7, 558, 555, 557, 562, 564,  
565, 572, 576, 586, 608, 357, 360, 354,  
396.4, 396.5, 393, 396.1, 585, 588, 554.2,  
544, 504, 611, 614, 552.1, 547, 629, 609;  
220/628, 23.83, 23.8, 575, 574

[56] **References Cited**

### U.S. PATENT DOCUMENTS

D. 232,294 8/1974 Christian et al. .... D7/553.1

D. 292,165 10/1987 Oh ..... D7/360  
D. 310,930 10/1990 Unger ..... D7/586  
D. 363,644 10/1995 Wyatt et al. .... D7/553.6  
D. 364,998 12/1995 Held ..... D7/545  
D. 365,498 12/1995 Lillelund et al. .... D7/505  
D. 376,295 12/1996 Ahern, Jr. et al. .... D7/549  
D. 415,422 10/1999 McCann ..... D7/553.6 X

*Primary Examiner*—M. N. Pandozzi  
*Attorney, Agent, or Firm*—Wolf, Greenfield & Sacks, P.C.

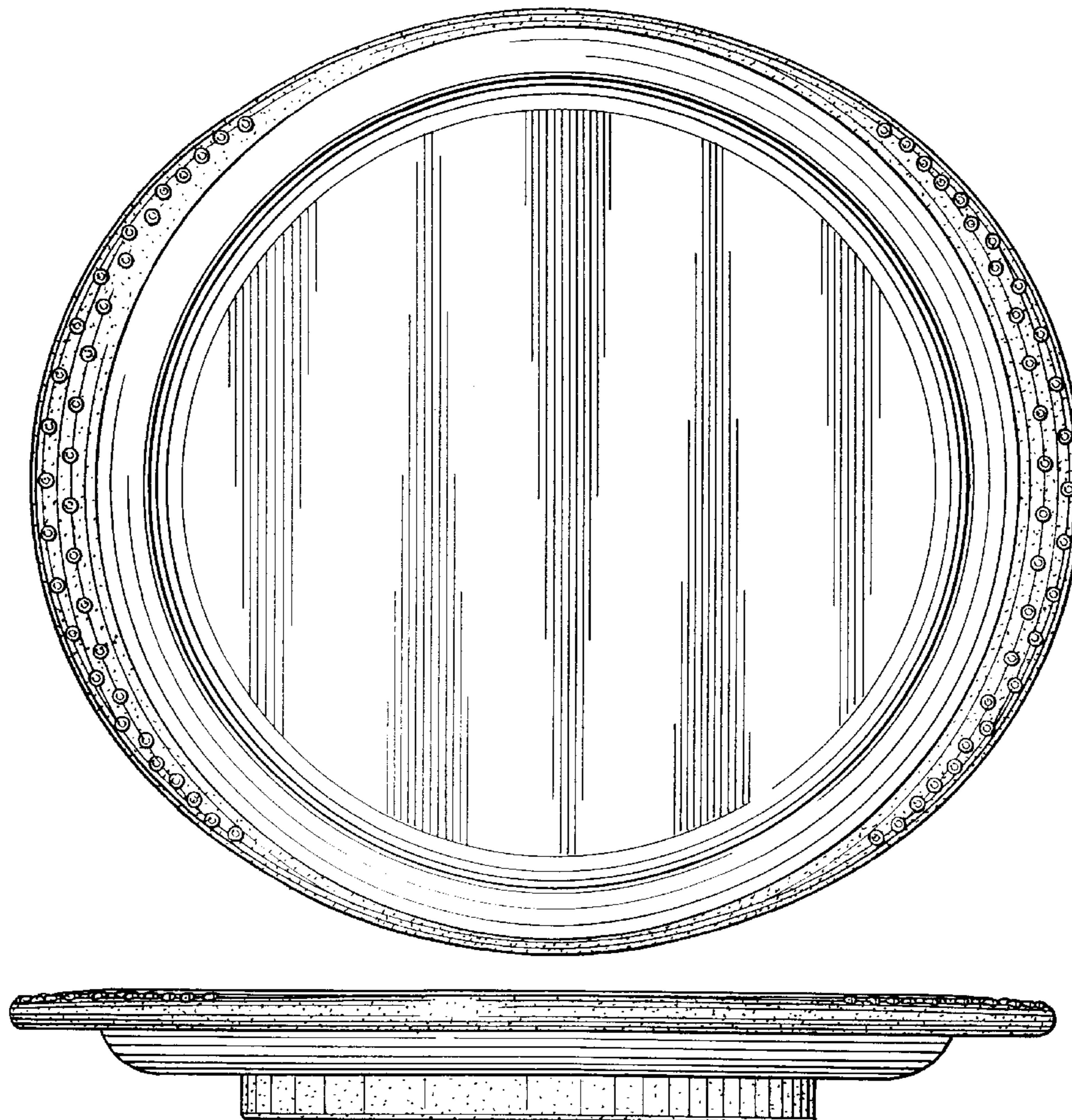
### [57] CLAIM

The ornamental design for a tableware plate, as shown.

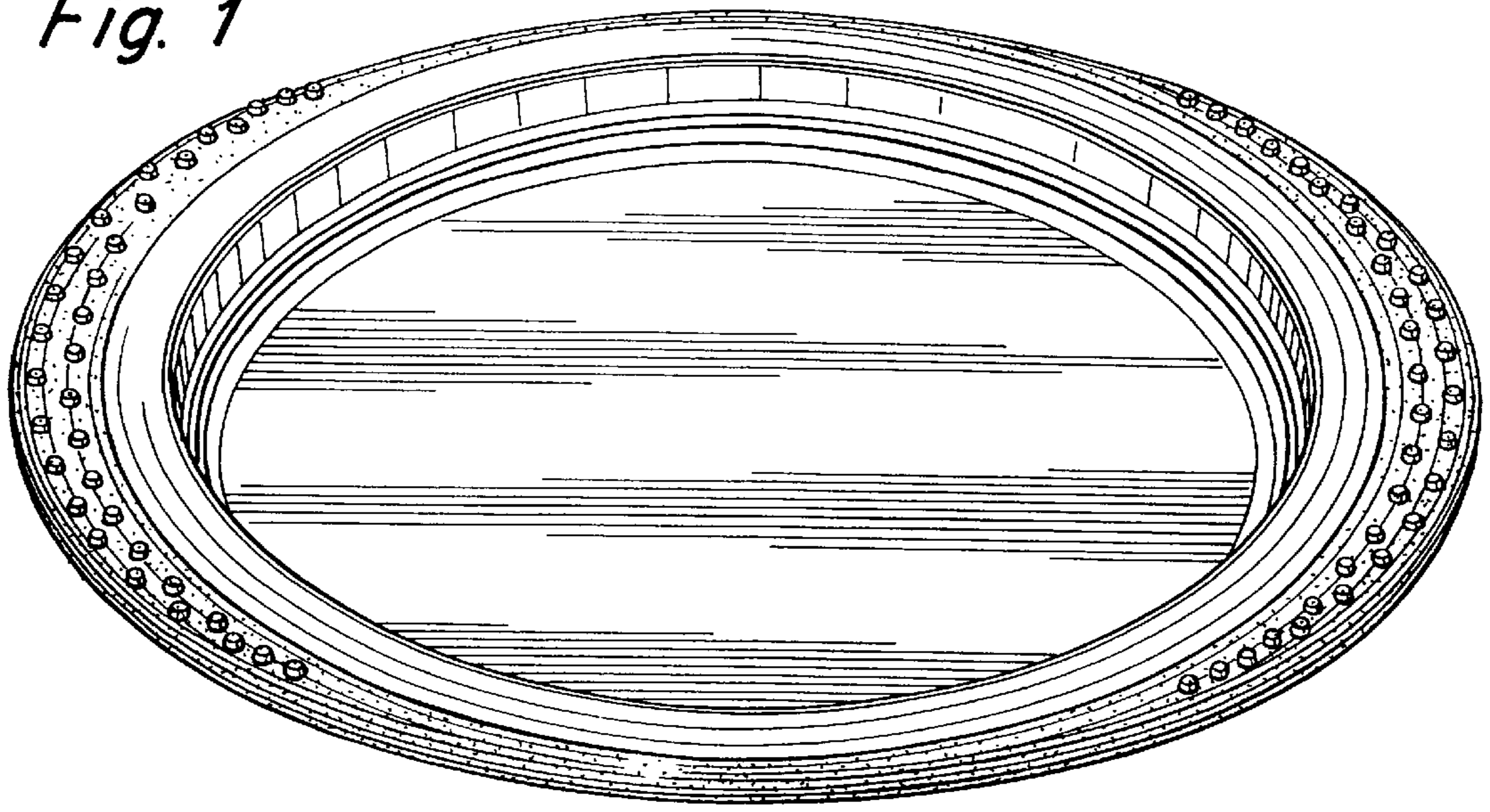
### DESCRIPTION

FIG. 1 is a top front perspective view of a tableware plate embodying my new design;  
FIG. 2 is a top plan view thereof;  
FIG. 3 is a front elevation view thereof, the rear elevation view being identical thereto;  
FIG. 4 is a left side elevation view thereof, the right side elevation view being identical thereof; and,  
FIG. 5 is a bottom plan view thereof.

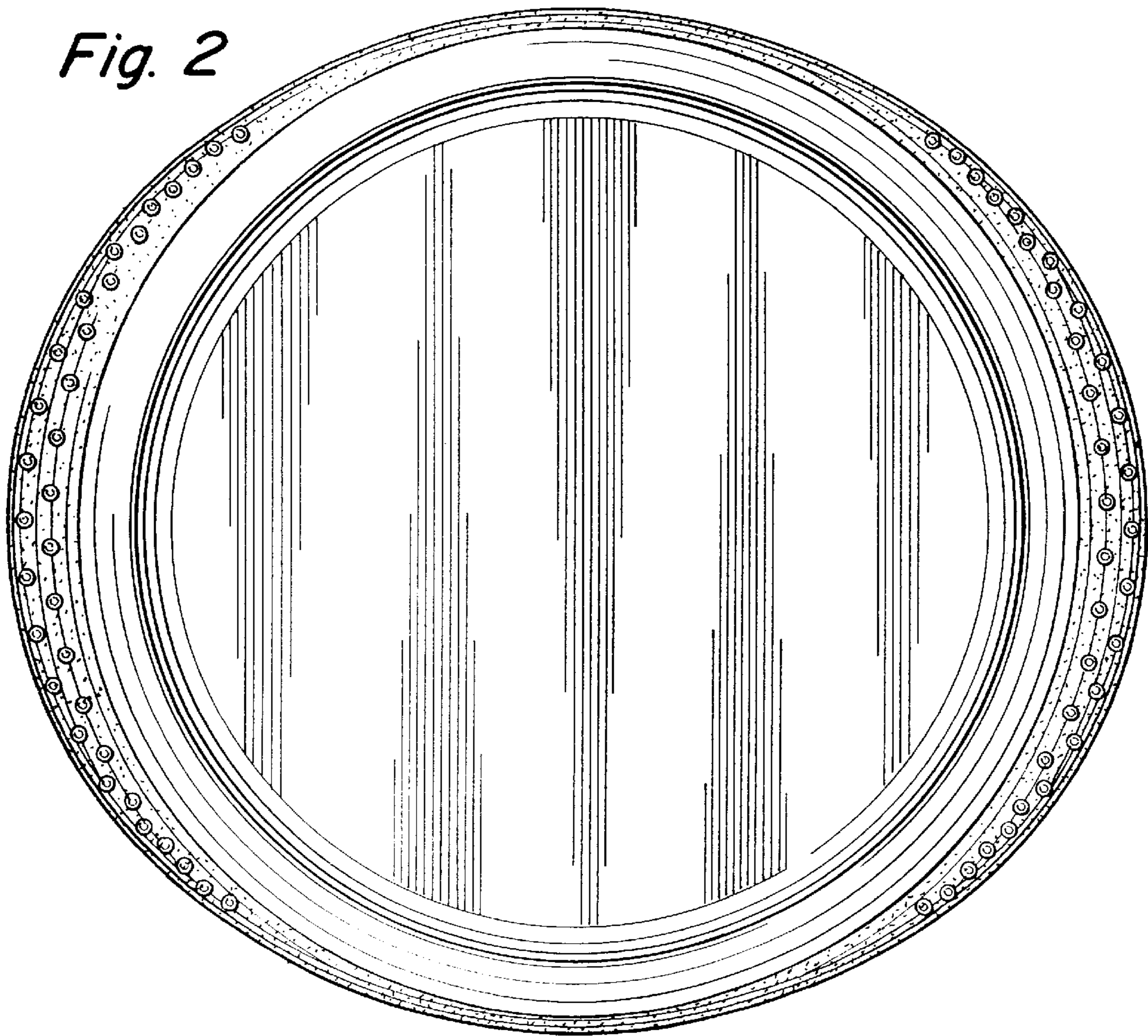
**1 Claim, 2 Drawing Sheets**



*Fig. 1*

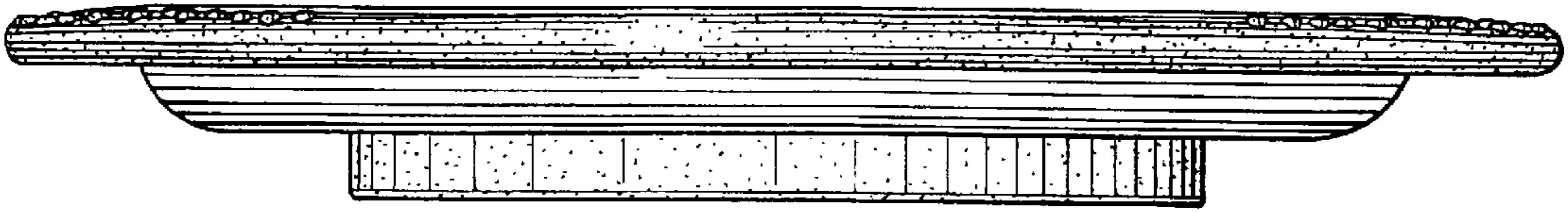


*Fig. 2*

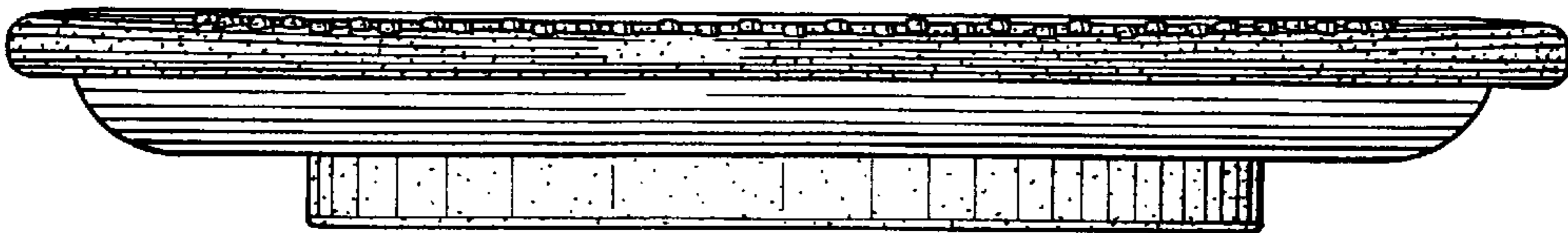




*Fig. 3*



*Fig. 4*



*Fig. 5*

