



US00D424879S

United States Patent [19]

Biber

[11] Patent Number: **Des. 424,879**

[45] Date of Patent: **** May 16, 2000**

[54] **SQUARE BOWL**

[75] Inventor: **James R. Biber**, Stanfordville, N.Y.

[73] Assignee: **Pentagram Design, Inc.**, New York, N.Y.

[**] Term: **14 Years**

[21] Appl. No.: **29/102,870**

[22] Filed: **Apr. 2, 1999**

[51] **LOC (7) Cl.** **07-01**

[52] **U.S. Cl.** **D7/543; D7/361; D7/552.1**

[58] **Field of Search** D7/361, 396.4, D7/395.5, 393, 394, 395, 396.1, 585, 554.7, 544, 504, 503, 611, 614, 552.1, 547, 629, 609, 502, 501, 505, 538, 540, 541, 542, 543, 545, 546, 549, 553.4, 553.7, 558, 555, 557, 562, 564, 565, 572, 576, 586, 608, 357, 360, 354; 206/538, 562; 220/574, 575

[56] **References Cited**

U.S. PATENT DOCUMENTS

D. 110,117 6/1938 Weis D7/361

D. 186,900	12/1959	Griese	D7/361
D. 218,348	8/1970	Aubecq	D7/361
D. 245,059	7/1977	Bardin	D7/361
D. 246,884	1/1978	Finke	D7/361
323,894	8/1885	Whitten	D7/361 X
D. 340,834	11/1993	Lin	D7/361
D. 347,964	6/1994	Davis	D7/361
D. 363,002	10/1995	Douglas	D7/543
836,983	11/1906	Millwee	D7/361 X
4,462,388	7/1984	Bohl et al.	D7/357 X

Primary Examiner—M. N. Pandozzi
Attorney, Agent, or Firm—Proskauer Rose LLP

[57] **CLAIM**

The ornamental design for a square bowl, as shown.

DESCRIPTION

FIG. 1 is a front perspective view of the inventive square bowl;
FIG. 2 is a front view thereof;
FIG. 3 is a right side view thereof;
FIG. 4 is a left side view thereof;
FIG. 5 is a top planar view thereof; and,
FIG. 6 is a bottom planar view thereof.

1 Claim, 3 Drawing Sheets

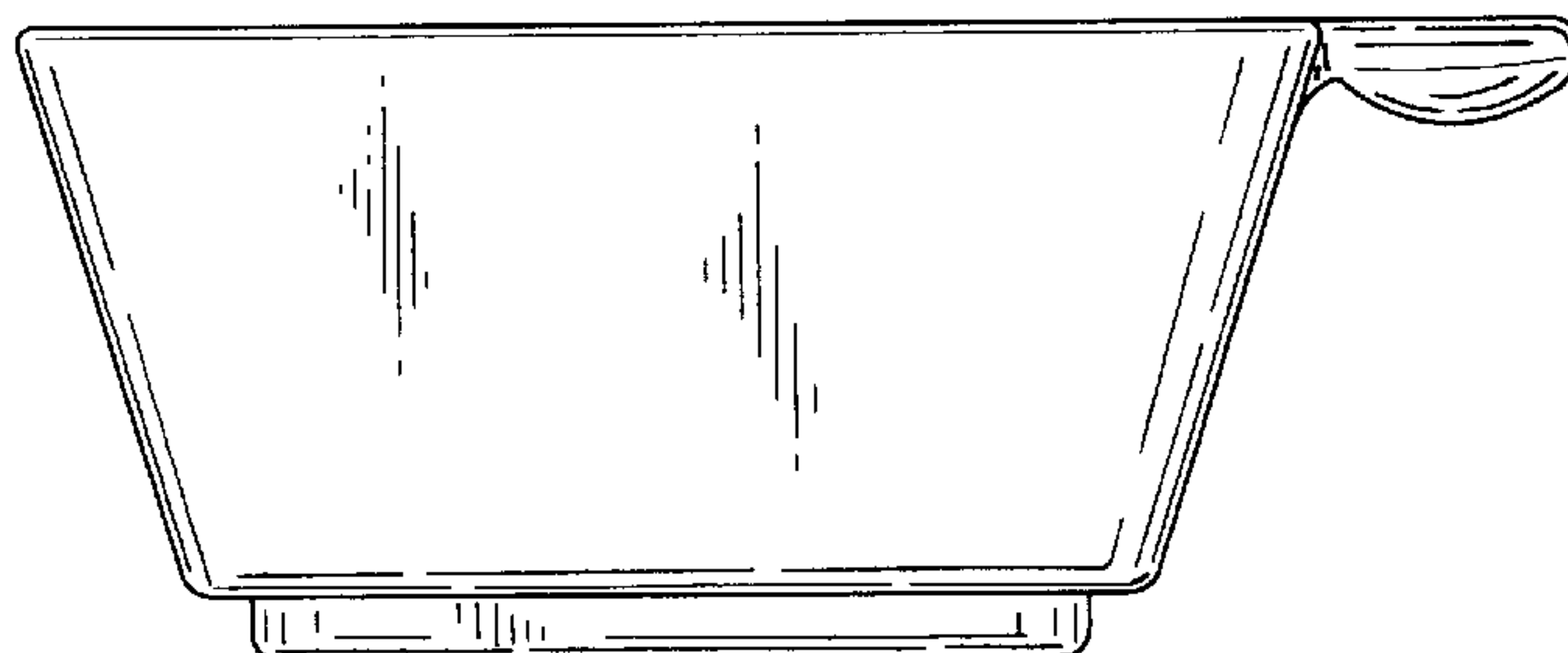
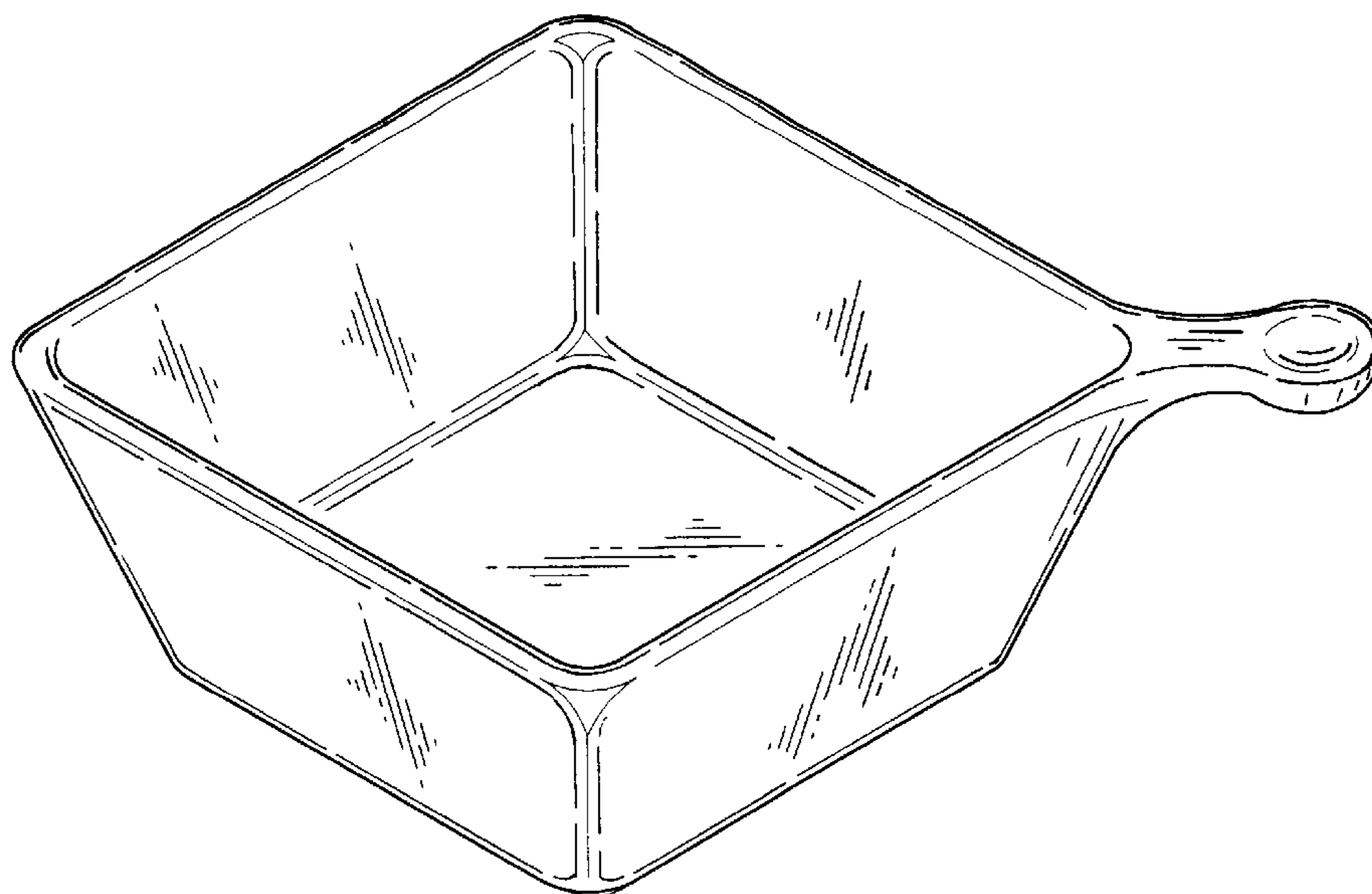


FIG. 1

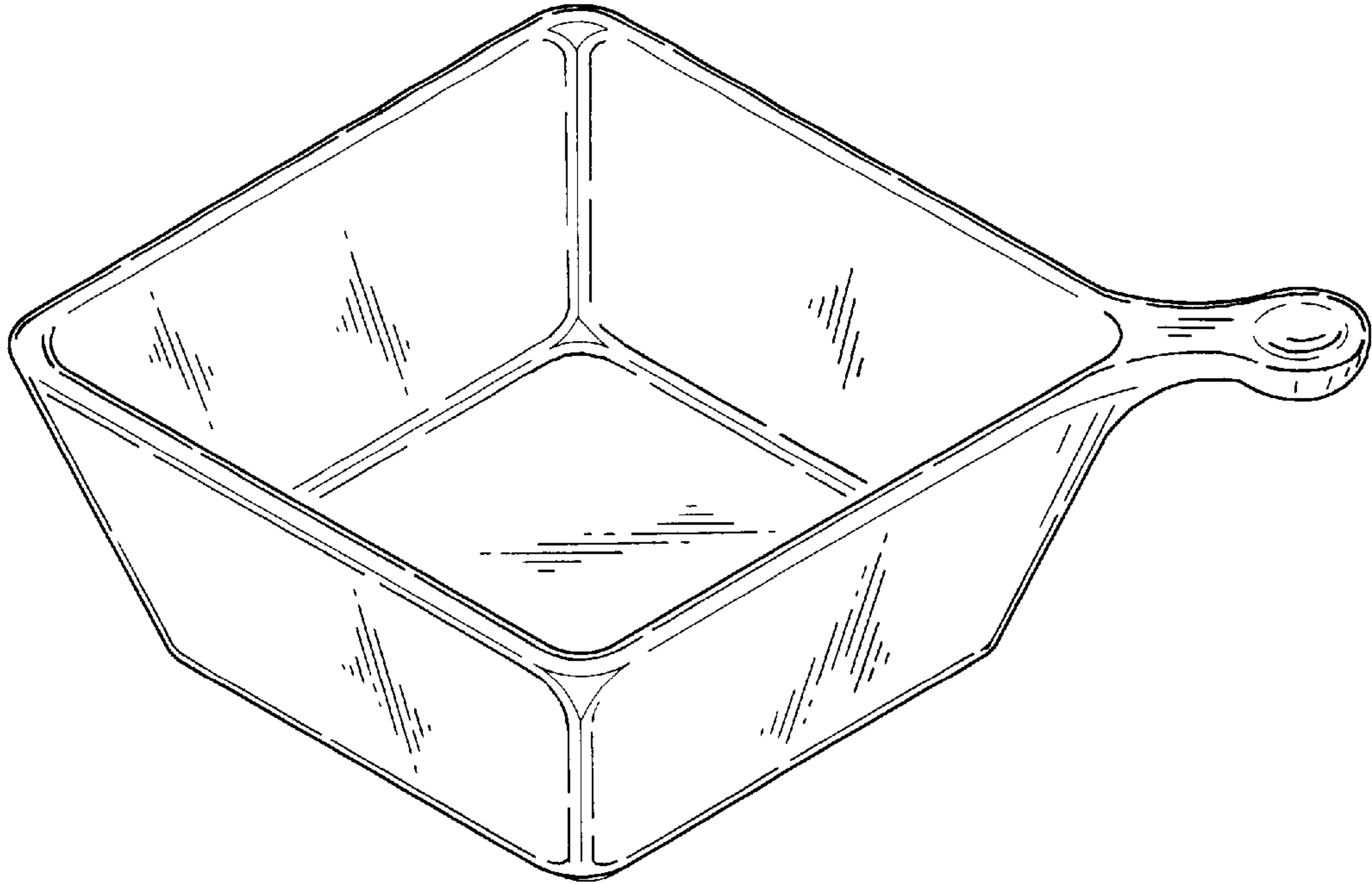


FIG. 2

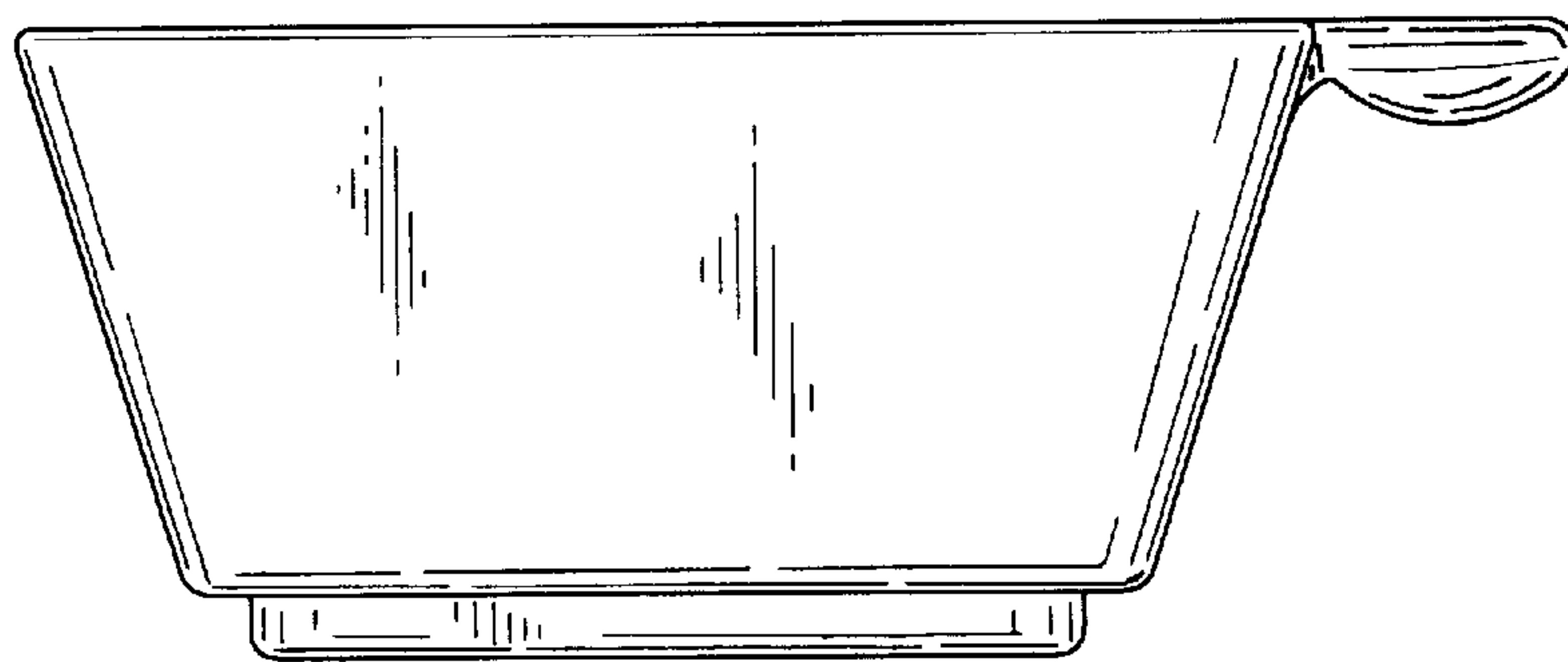


FIG. 3

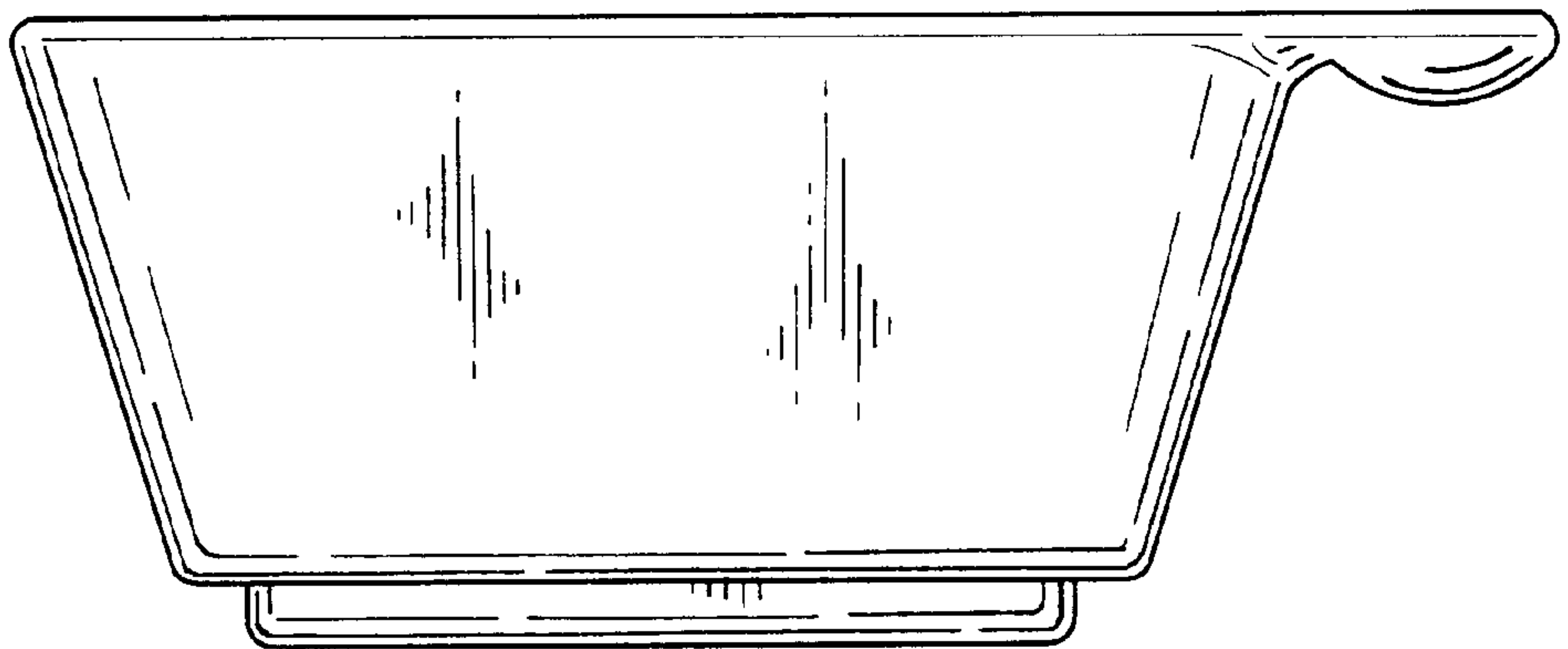


FIG. 4

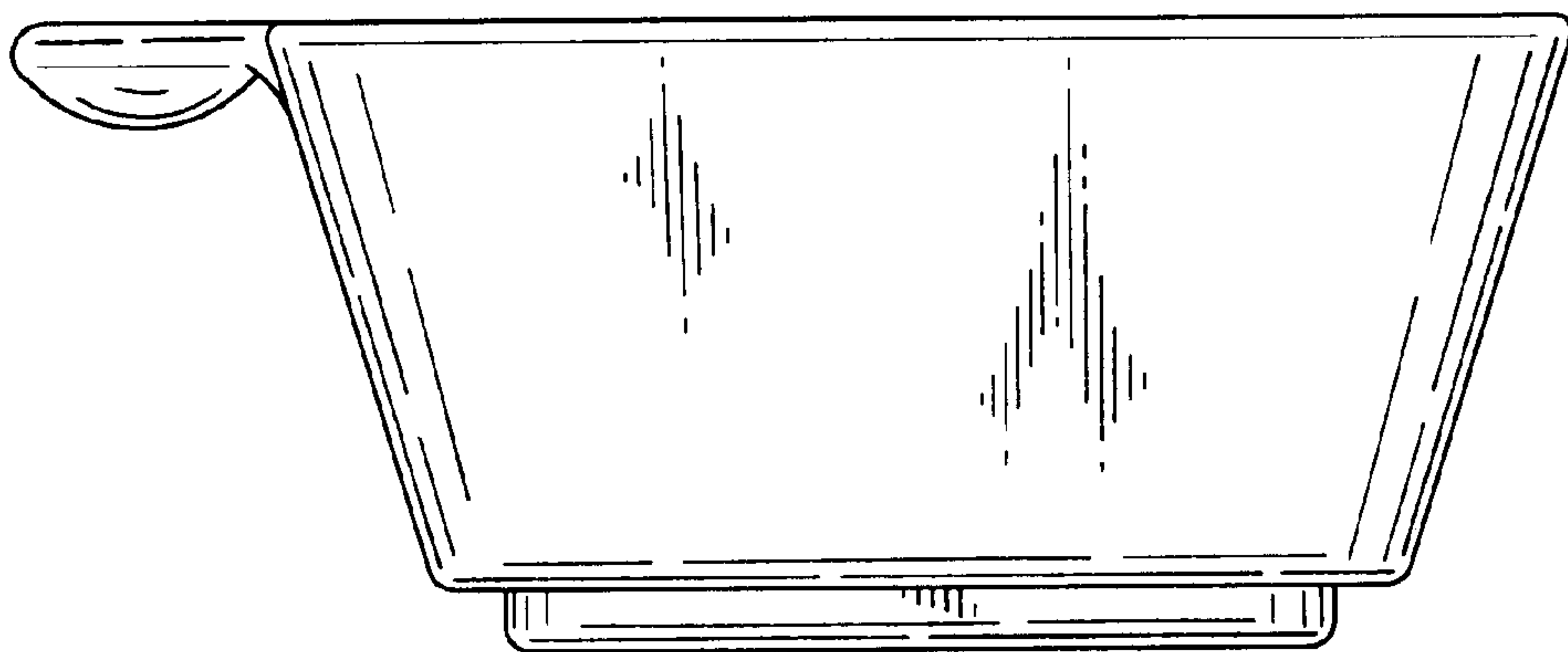


FIG. 5

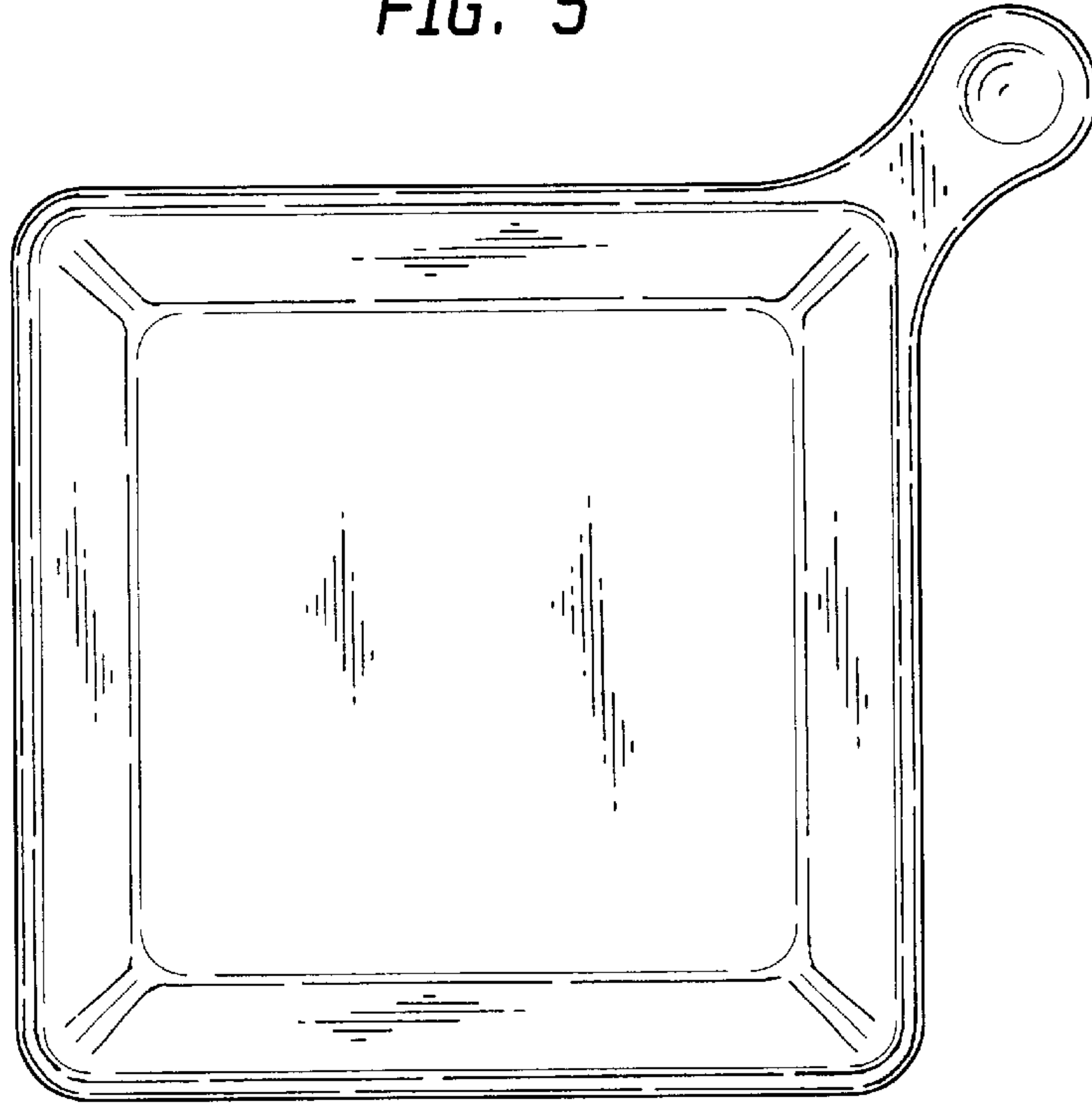


FIG. 6

