



US00D424870S

United States Patent [19] Thurlow

[11] Patent Number: Des. 424,870

[45] Date of Patent: ** May 16, 2000

[54] HANDLE WITH HOOK

[76] Inventor: Heida L. Thurlow, 10814 Riverview,
Houston, Tex. 77042

[**] Term: 14 Years

[21] Appl. No.: 29/104,333

[22] Filed: Apr. 30, 1999

Related U.S. Application Data

[63] Continuation of application No. 29/077,769, Oct. 9, 1997,
abandoned.

[51] LOC (7) Cl. 07-04

[52] U.S. Cl. D7/395

[58] Field of Search D7/395, 401.2,
D7/683-696; 16/110 R, 111 R, 114 R, 114 A,
116 R; 30/322-328; 294/7, 8

[56] References Cited

U.S. PATENT DOCUMENTS

D. 169,412	4/1953	Bordelon	D7/683
D. 282,518	2/1986	Mahoney	D7/688
D. 289,564	4/1987	Harford	D7/688 X
D. 308,804	6/1990	Hiscott et al.	D7/688 X
D. 310,946	10/1990	White	D7/683
2,489,606	11/1949	Allen	D7/688 X
4,005,310	1/1977	Baisch	30/324 X
4,556,245	12/1985	Gruenwald	294/31.2
4,653,468	3/1987	Lemme et al.	16/110 A

Primary Examiner—Terry A. Wallace
Attorney, Agent, or Firm—Browning Bushman

[57] CLAIM

The ornamental design for a handle with hook, as shown and described.

DESCRIPTION

FIG. 1 is a top plan of a handle with hook showing my new design;

FIG. 2 is a side elevational view of the handle shown in FIG. 1;

FIG. 3 is an end view taken generally along line 3—3 of FIG. 1;

FIG. 4 is a sectional view taken generally along line 4—4 of FIG. 1;

FIG. 5 is a top plan of a handle with hook;

FIG. 6 is a side elevational view of the handle with hook shown in FIG. 5;

FIG. 7 is an end view taken generally along line 7—7 of FIG. 6;

FIG. 8 is a cross sectional view taken generally along line 8—8 in FIG. 6;

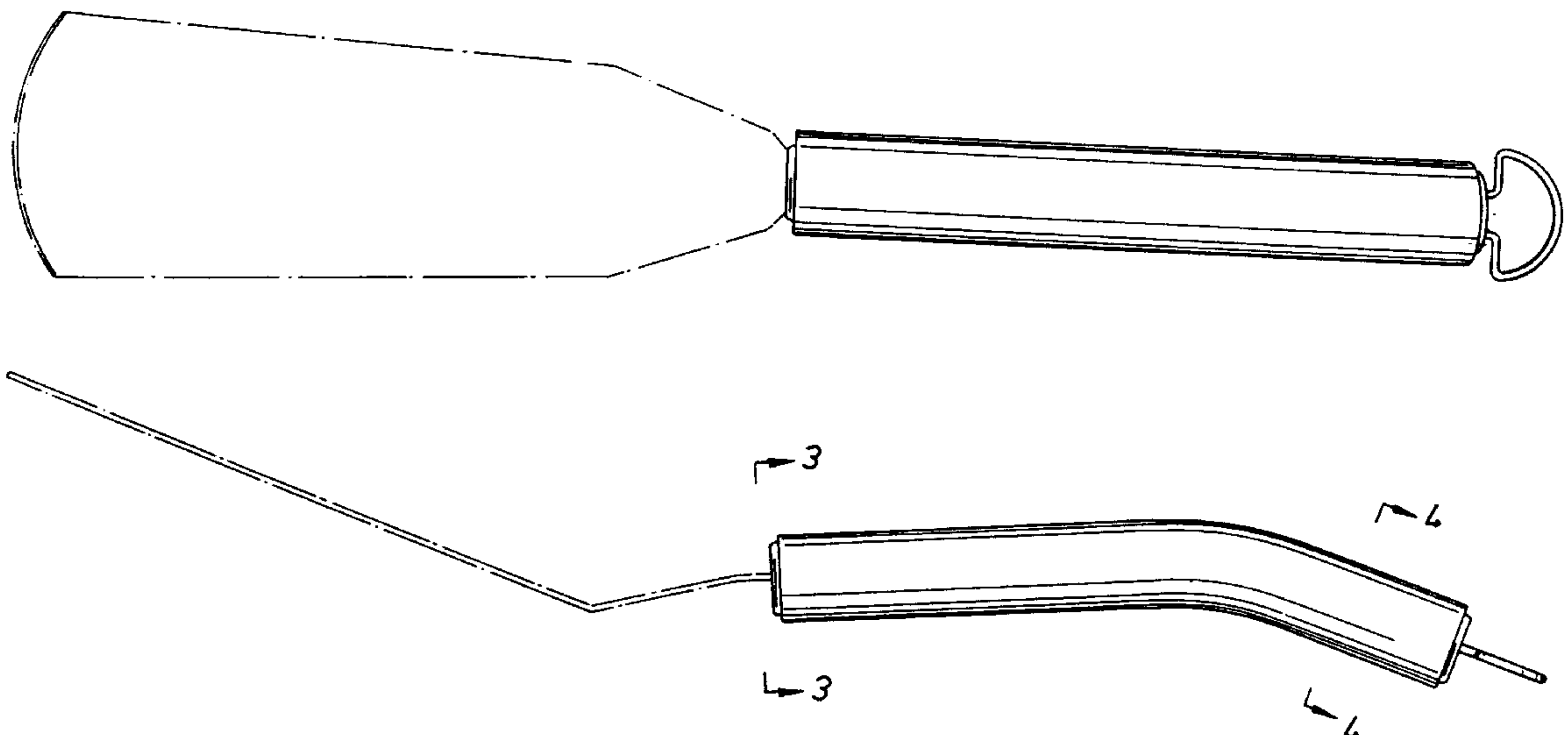
FIG. 9 is a cross sectional view taken through another handle with hook and illustrating an oval cross section, the handle being the same as FIG. 1 except being oval rather than round;

FIG. 10 is a side elevational view of a further handle with hook similar to the handle shown in FIG. 2 but having a rear portion of the handle bent at a slightly decreased angle as compared with the embodiment of FIG. 2; and,

FIG. 11 is a side elevational view of a still further handle with hook similar to the handle shown in FIG. 2 but showing a rear portion of the handle bent at a slightly increased angle as compared with the embodiment shown in FIG. 2.

The broken lines are for illustrative purposes only and form no part of the claimed design.

1 Claim, 3 Drawing Sheets



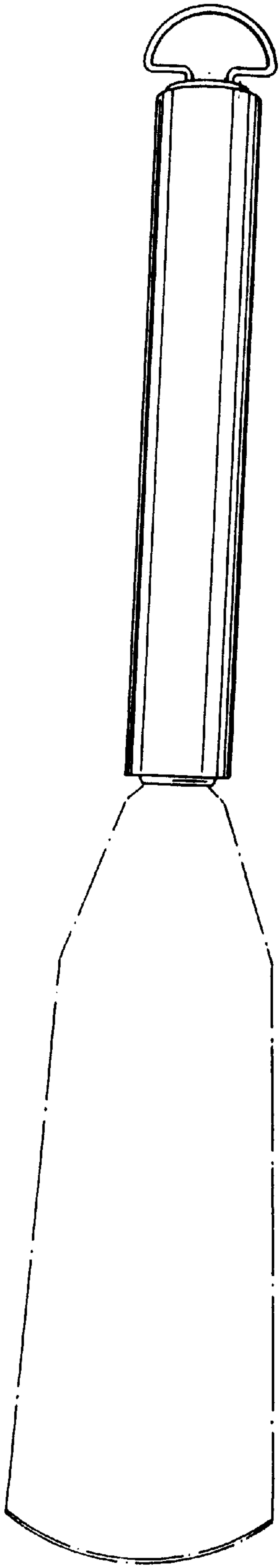


FIG. 1

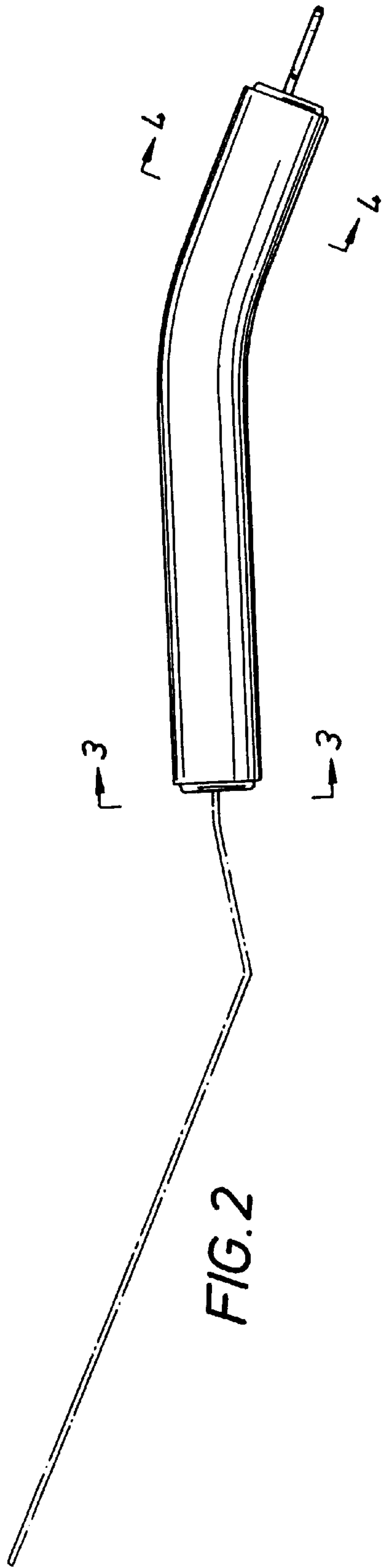


FIG. 2

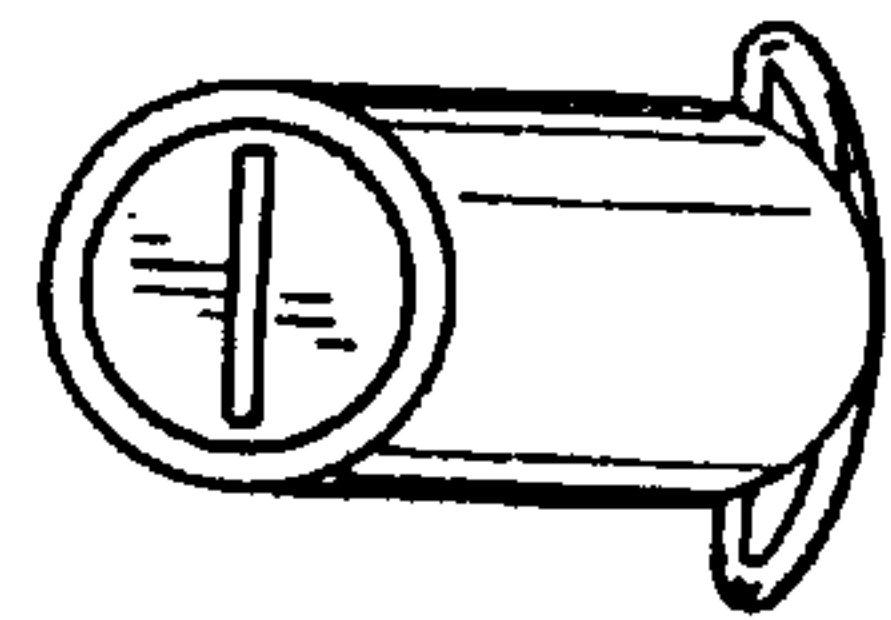


FIG. 3

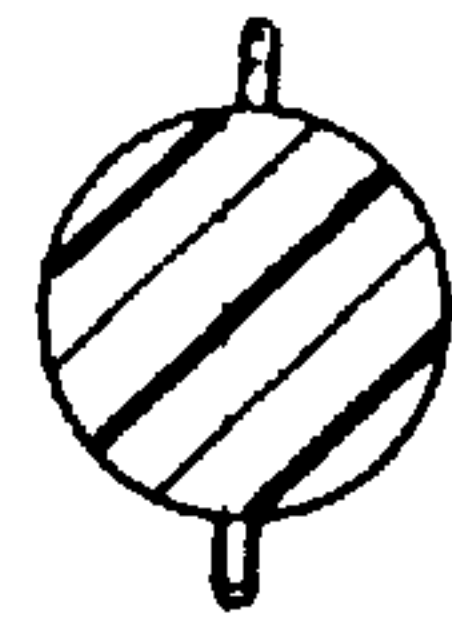
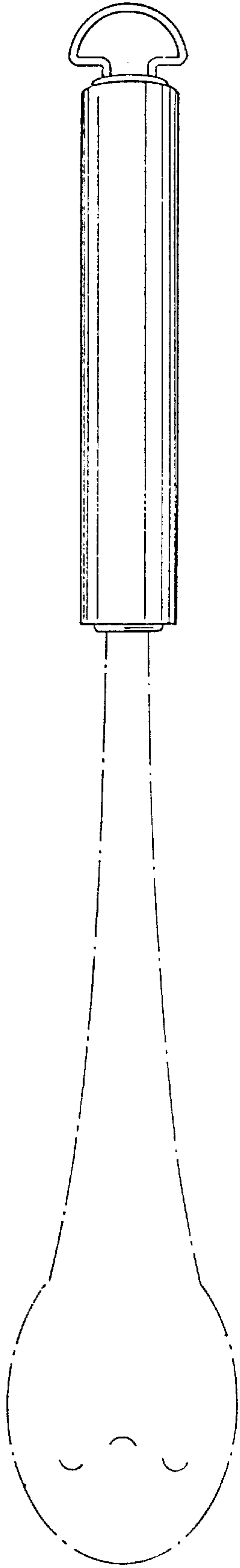


FIG. 4

FIG. 5



7

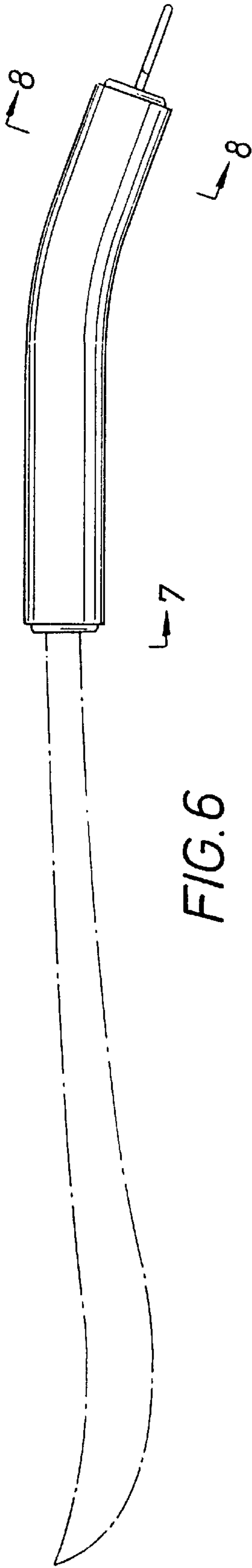


FIG. 6

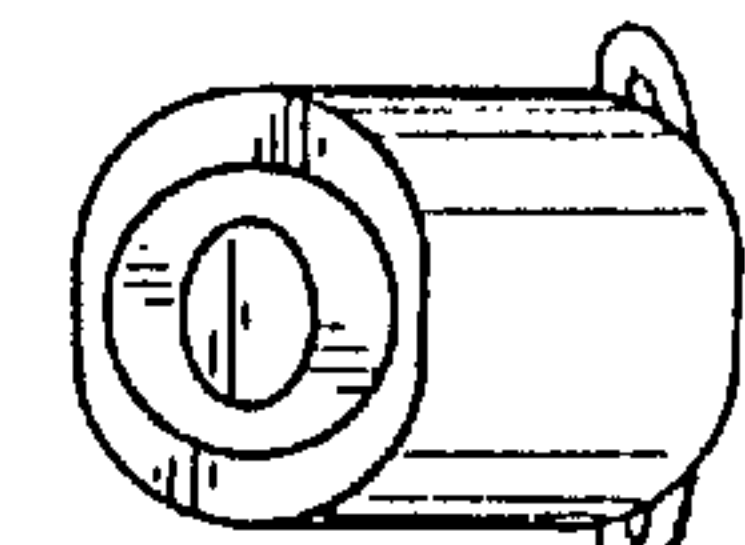


FIG. 7

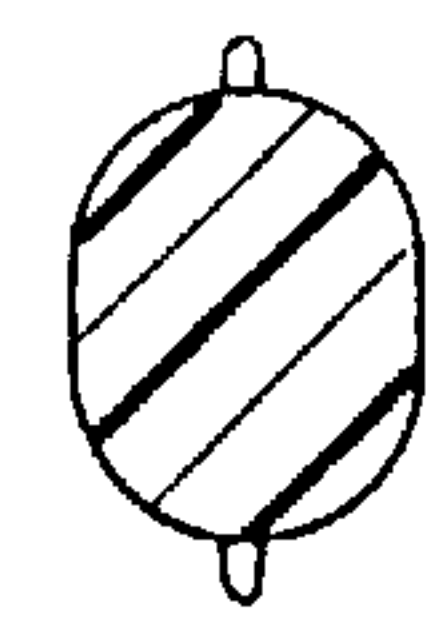


FIG. 8

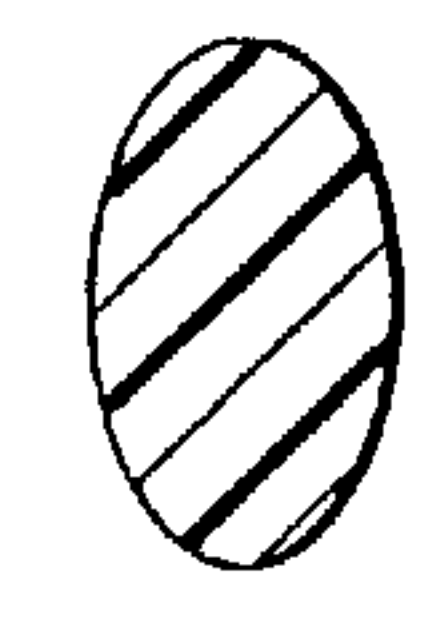


FIG. 9

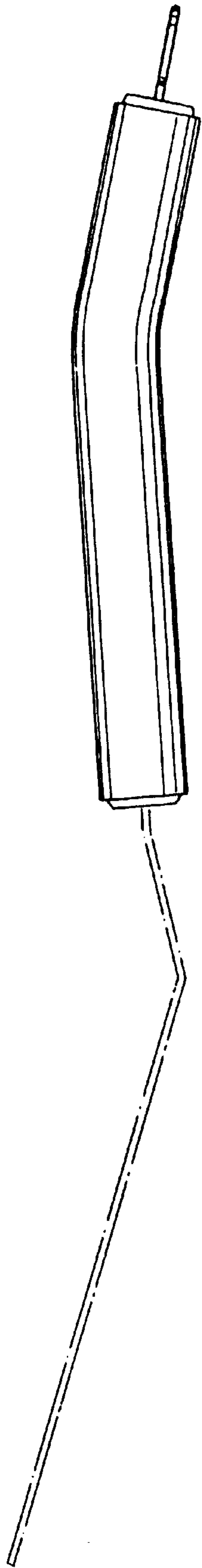


FIG. 10

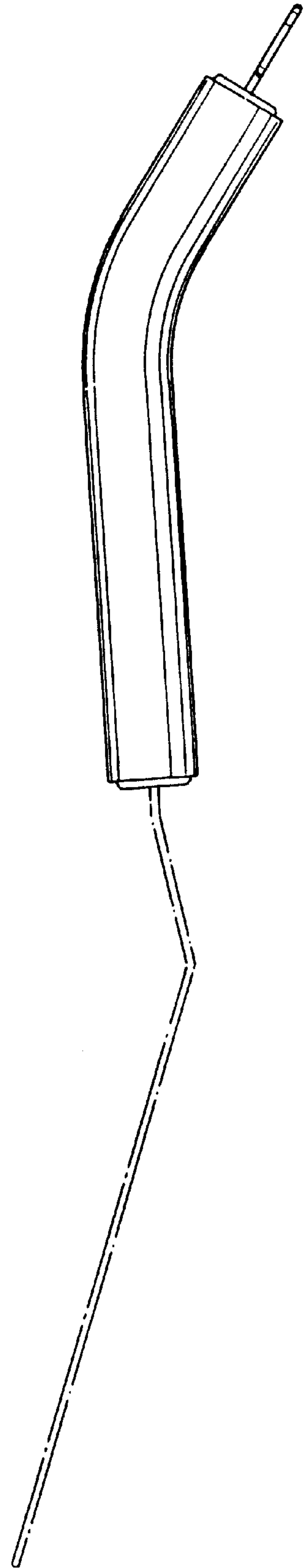


FIG. 11