



US00D424869S

United States Patent [19]
Chau

[11] **Patent Number: Des. 424,869**

[45] **Date of Patent: ** May 16, 2000**

[54] **HANDLE FOR KITCHEN WARE**

[75] Inventor: **Pok Man Chau**, New Territories, The Hong Kong Special Administrative Region of the People's Republic of China

[73] Assignee: **Fortune Well Corporation Limited**, New Territories, The Hong Kong Special Administrative Region of the People's Republic of China

[**] Term: **14 Years**

[21] Appl. No.: **29/101,645**

[22] Filed: **Mar. 8, 1999**

[51] **LOC (7) Cl.** **07-02**

[52] **U.S. Cl.** **D7/395; D7/401.2**

[58] **Field of Search** D7/354-361, 642, D7/645, 649, 650, 653, 662-664, 401.2, 393-395; 16/110 R, 114 R, 114 A, 110 A; 30/147-150, 322, 324, 329, 340, 345; 220/573.1, 912, 776

[56] **References Cited**

U.S. PATENT DOCUMENTS

D. 156,879	1/1950	Grundstrom	D7/395
D. 258,862	4/1981	Goransson	D7/395
D. 408,219	4/1999	Lai	D7/401.2
2,372,954	4/1945	Jester	220/776

Primary Examiner—Caron D. Veynar
Attorney, Agent, or Firm—Smith, Gambrell & Russell, LLP

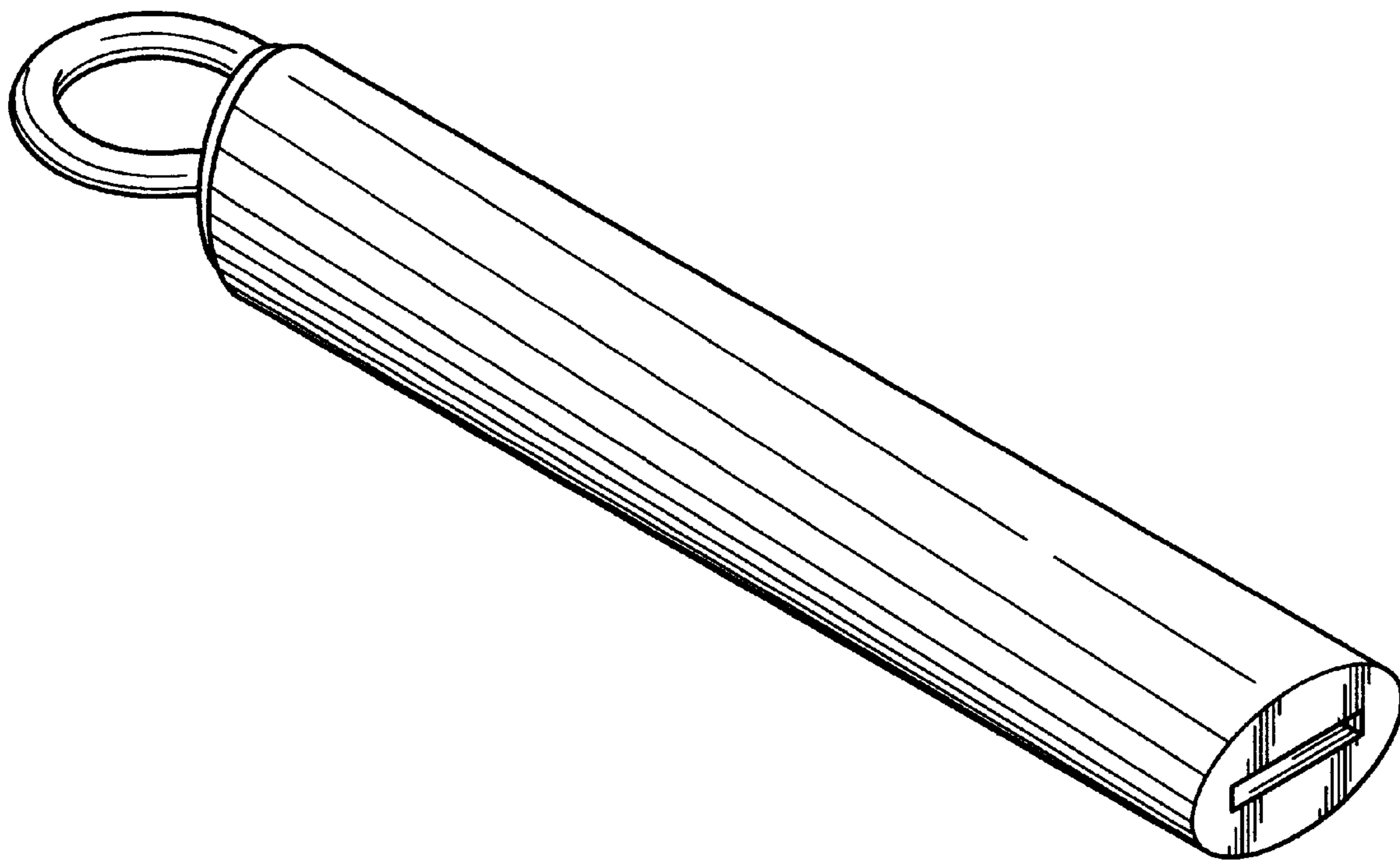
[57] **CLAIM**

The ornamental design for a handle for kitchen ware, as shown and described.

DESCRIPTION

FIG. 1 is a perspective view of a handle for kitchen ware showing my new design;
FIG. 2 is a top view thereof, and bottom view is the same as the top one;
FIG. 3 is a front view thereof, and rear view is the same as the front one;
FIG. 4 is a left side view thereof; and,
FIG. 5 is a right side view thereof.

1 Claim, 2 Drawing Sheets



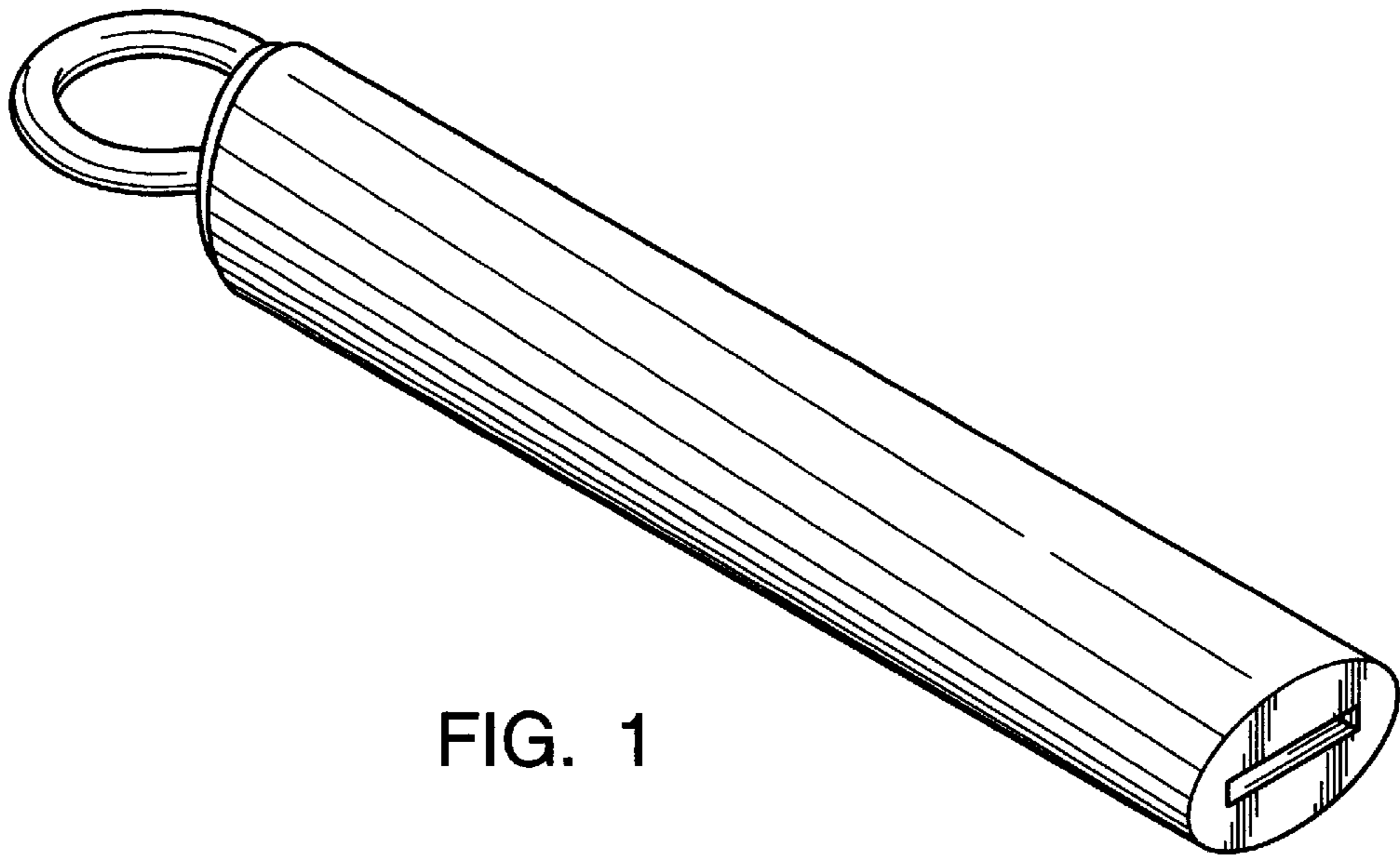


FIG. 1

FIG. 4

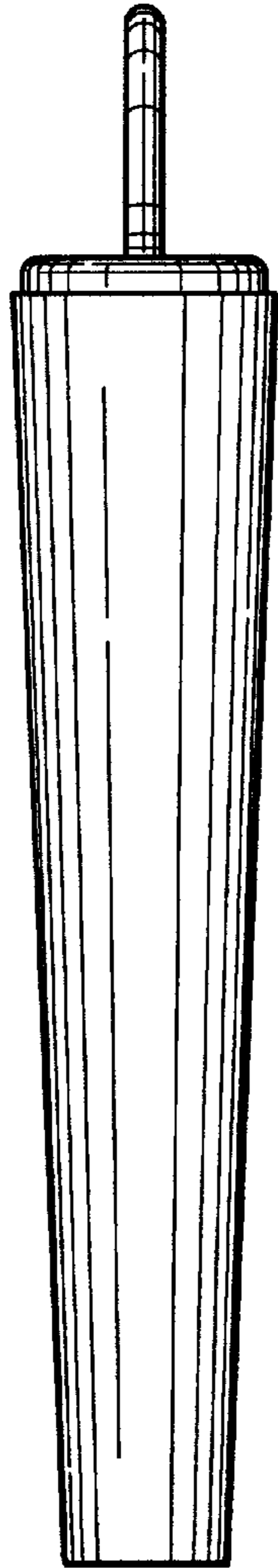
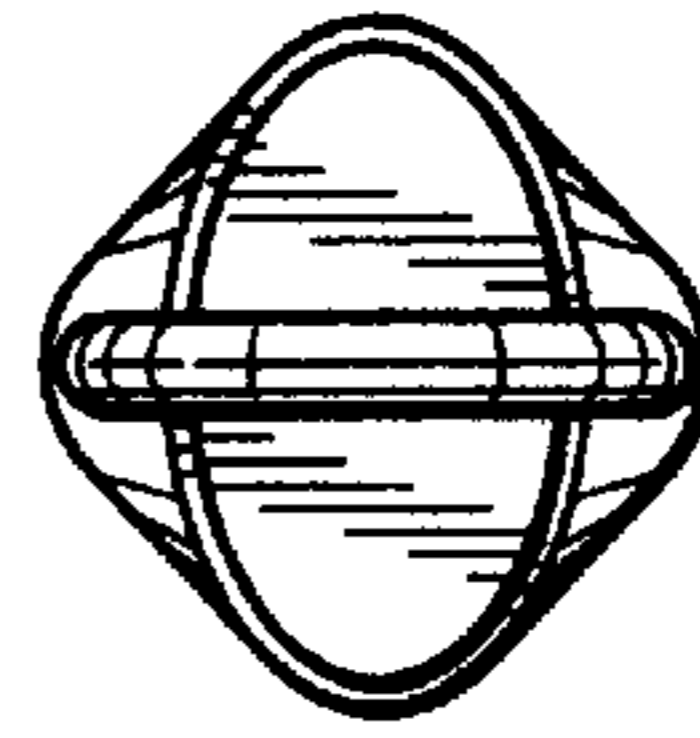


FIG. 3

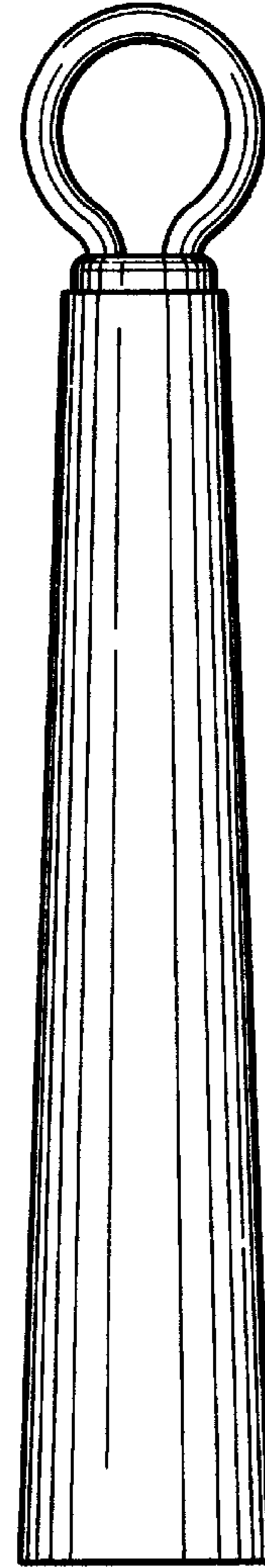


FIG. 2

FIG. 5

