



US00D424867S

United States Patent [19] Van Dullemen

[11] **Patent Number: Des. 424,867**

[45] **Date of Patent: ** May 16, 2000**

[54] **FOOD SLICER**

D. 180,304 5/1957 Van Duyn D7/383
D. 269,347 6/1983 Cantatore et al. D7/383

[75] Inventor: **Marlies Van Dullemen**, En Leiden,
Netherlands

Primary Examiner—Caron D. Veynar
Attorney, Agent, or Firm—Kirschstein, et al.

[73] Assignee: **GEC Avery Limited**, United Kingdom

[**] Term: **14 Years**

[57] **CLAIM**

The ornamental design for a food slicer, as shown.

[21] Appl. No.: **29/102,061**

[22] Filed: **Mar. 16, 1999**

DESCRIPTION

[30] **Foreign Application Priority Data**

Sep. 17, 1998 [GB] United Kingdom 2077676

FIG. 1 is a front, right side, and top, perspective view of a food slicer in accordance with the design of my invention;

[51] **LOC (7) Cl.** **31-00**

FIG. 2 is a front and left side, perspective view thereof;

[52] **U.S. Cl.** **D7/383**

FIG. 3 is a rear and left side, perspective view thereof;

[58] **Field of Search** D7/381, 383, 412,
D7/555; D13/107; 99/353; 269/15; 83/703,
704, 707

FIG. 4 is a rear and right side, perspective view thereof;

FIG. 5 is a right side elevational view thereof; and,

FIG. 6 is a top plan view thereof.

[56] **References Cited**

U.S. PATENT DOCUMENTS

D. 89,839 5/1933 Folk D7/383

1 Claim, 6 Drawing Sheets

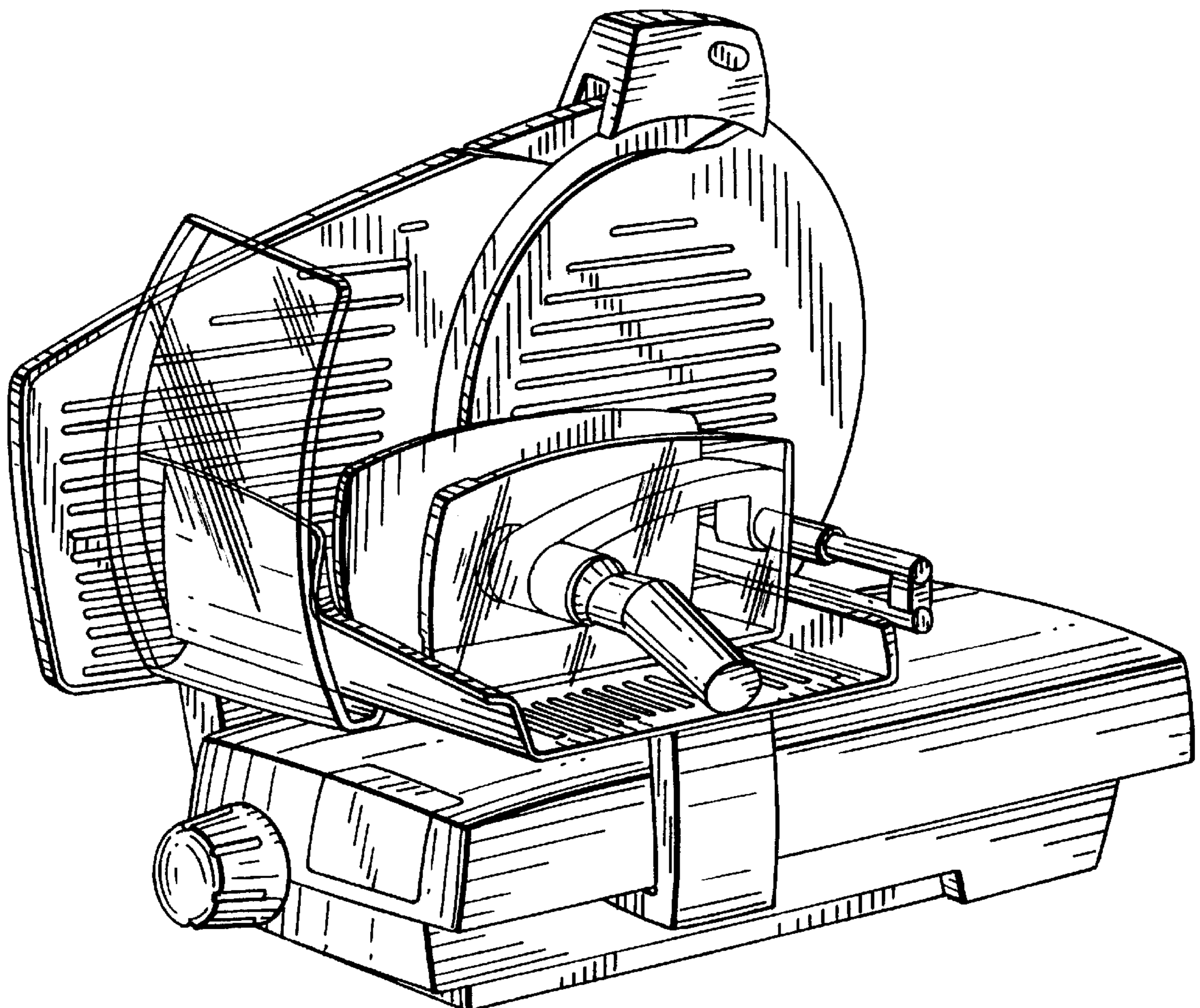


FIG. 1

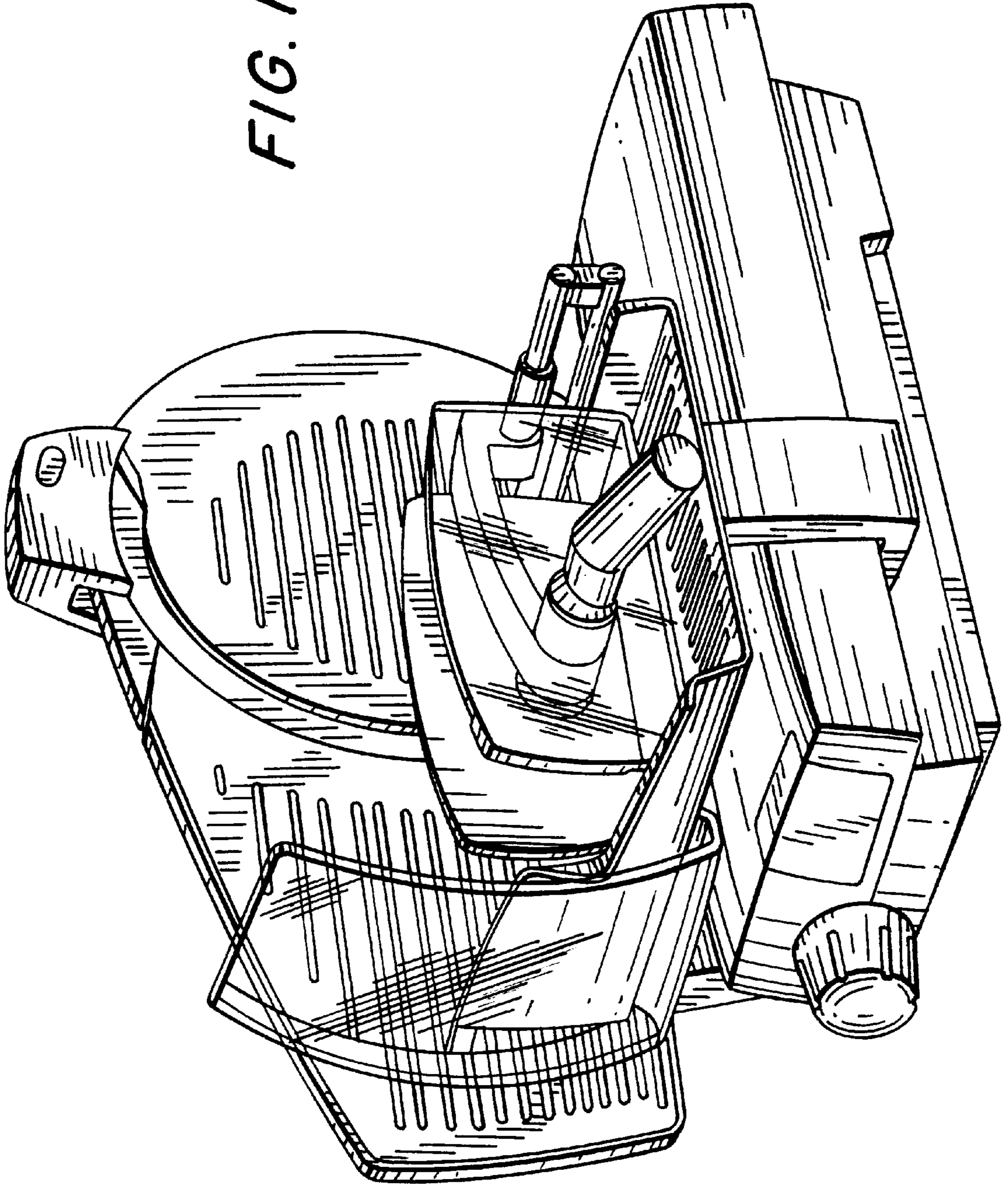
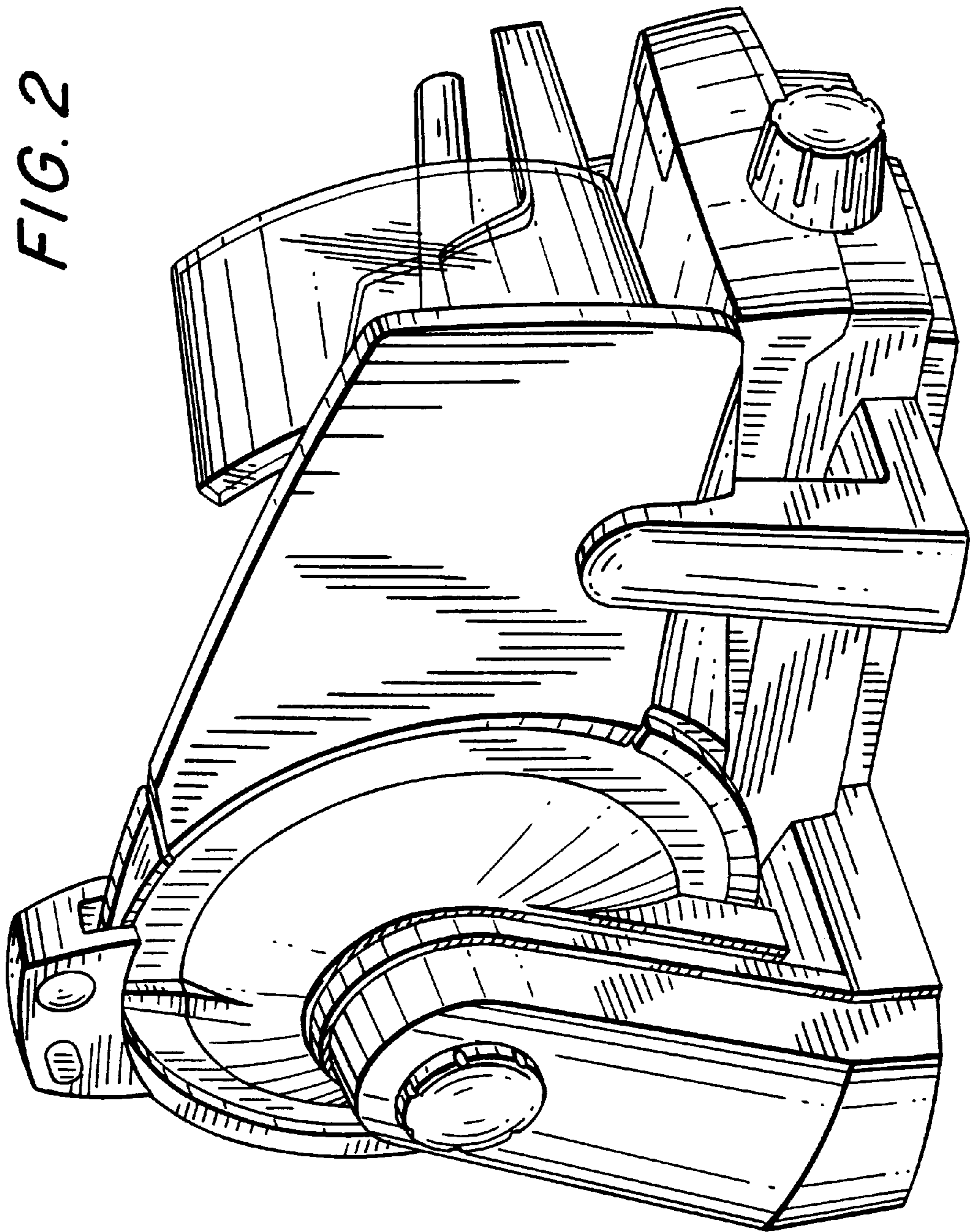


FIG. 2



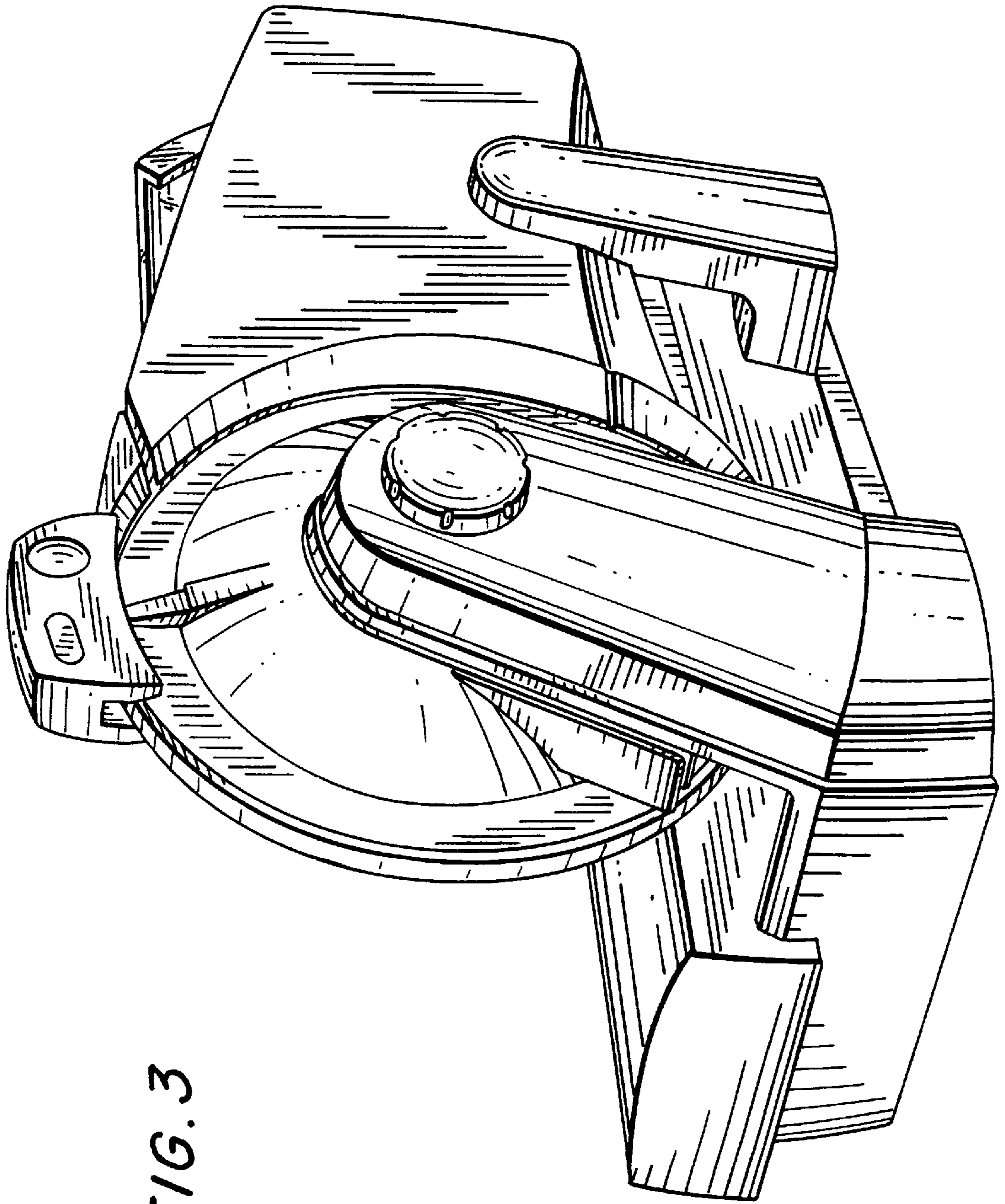


FIG. 3

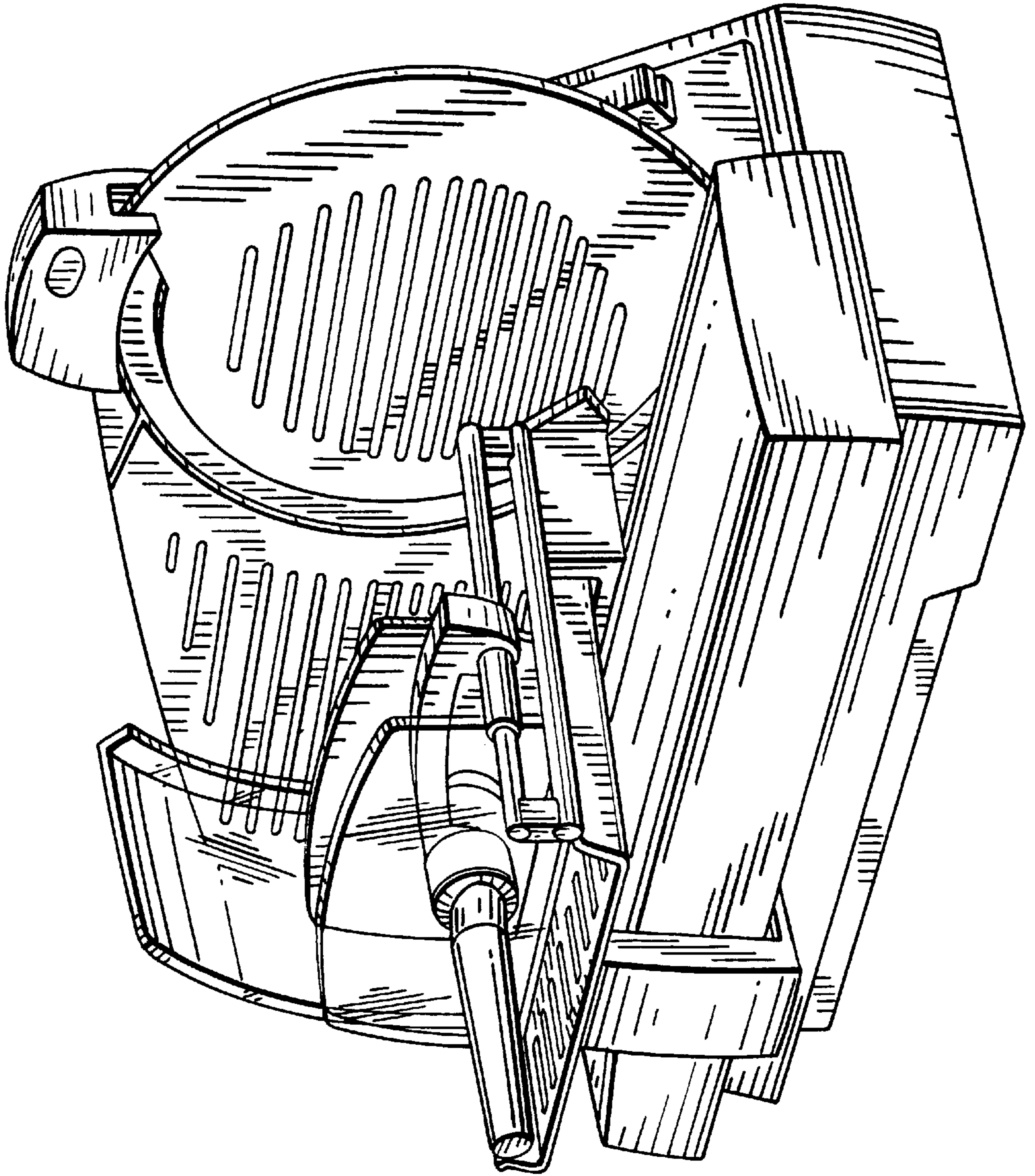


FIG. 4

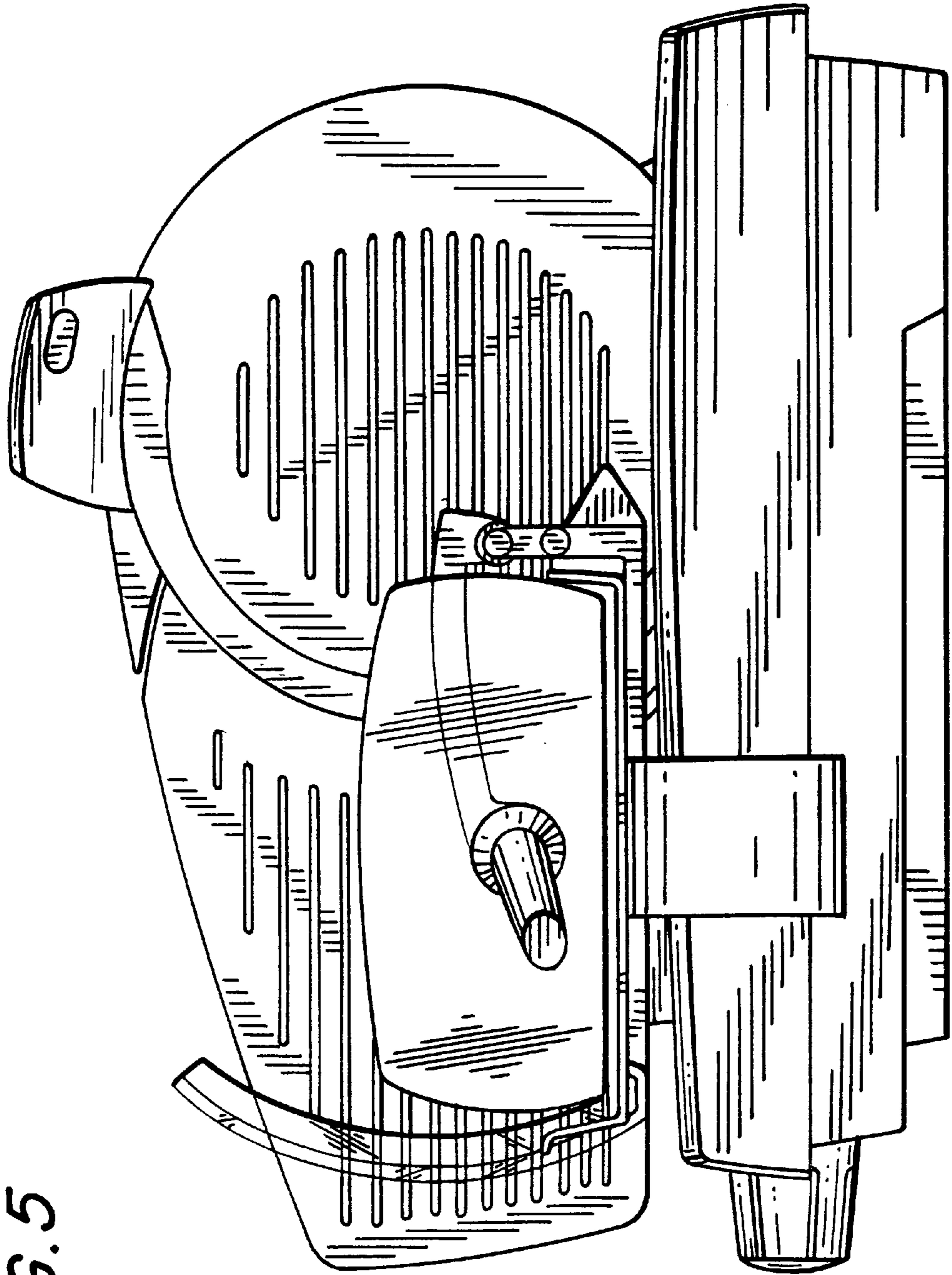


FIG. 5

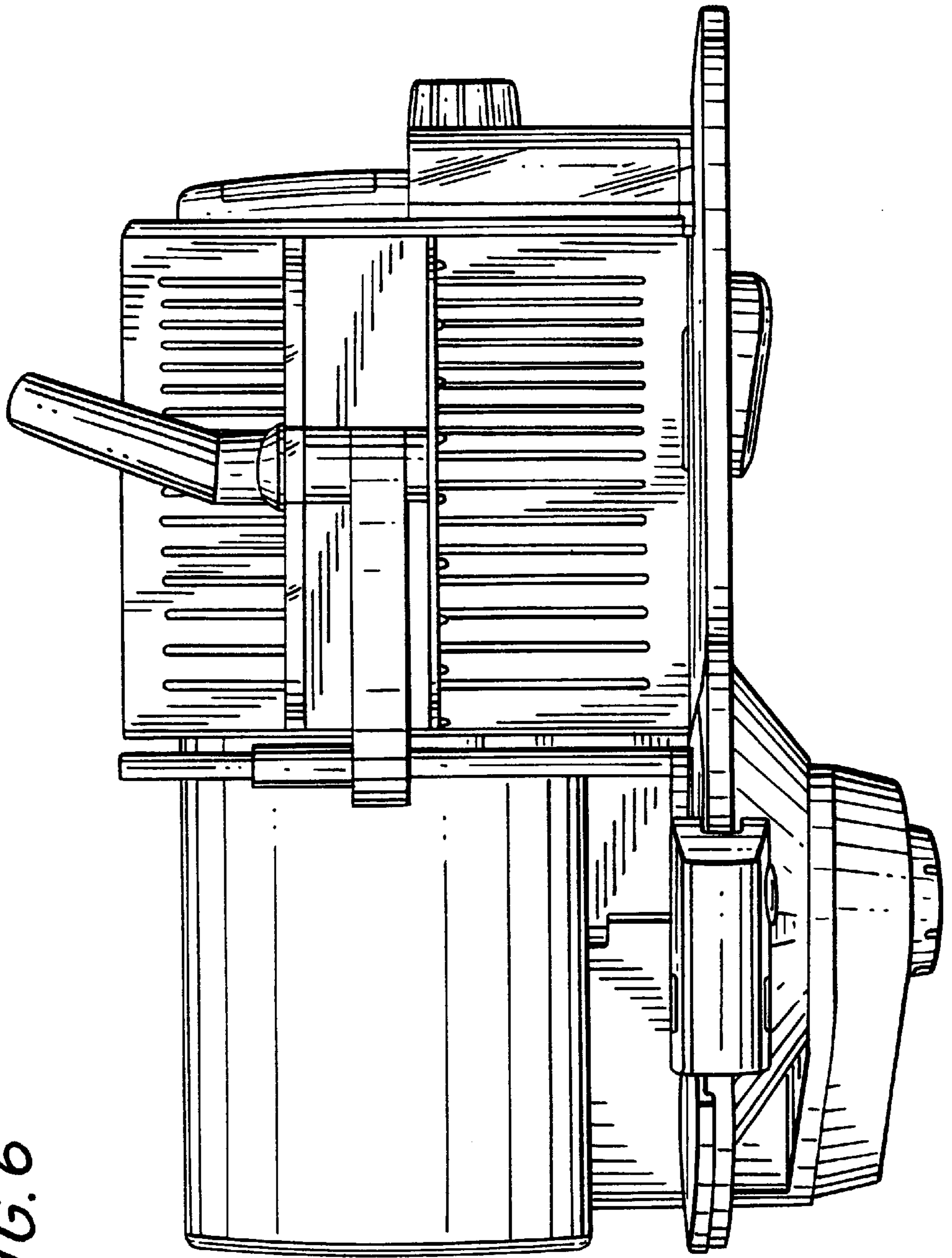


FIG. 6