



US00D424866S

# United States Patent [19] Choi

[11] **Patent Number: Des. 424,866**

[45] **Date of Patent: \*\* May 16, 2000**

[54] **MICRO-SLICER**

[75] **Inventor: David Chung-Wai Choi**, Kowloon, The Hong Kong Special Administrative Region of the People's Republic of China

[73] **Assignee: Edu-Science (H.K.) Ltd.**, The Hong Kong Special Administrative Region of the People's Republic of China

[\*\*] **Term: 14 Years**

[21] **Appl. No.: 29/100,780**

[22] **Filed: Feb. 18, 1999**

[51] **LOC (7) Cl. .... 31-00**

[52] **U.S. Cl. .... D7/381**

[58] **Field of Search** ..... D7/376, 381, 383, D7/384, 385, 693, 694, 695, 697, 213; 83/862, 863, 859, 932, 955; D15/127

[56] **References Cited**

### U.S. PATENT DOCUMENTS

D. 90,534 8/1933 McArdle et al. .... D7/383

D. 378,972 4/1997 Hug et al. .... D7/381  
D. 388,665 1/1998 So ..... D7/381 X  
965,384 7/1910 Gebauer ..... D7/381 X  
1,744,422 1/1930 Taylor ..... D7/412 X

*Primary Examiner*—Caron D. Veynar  
*Attorney, Agent, or Firm*—Samuels, Gauthier & Stevens

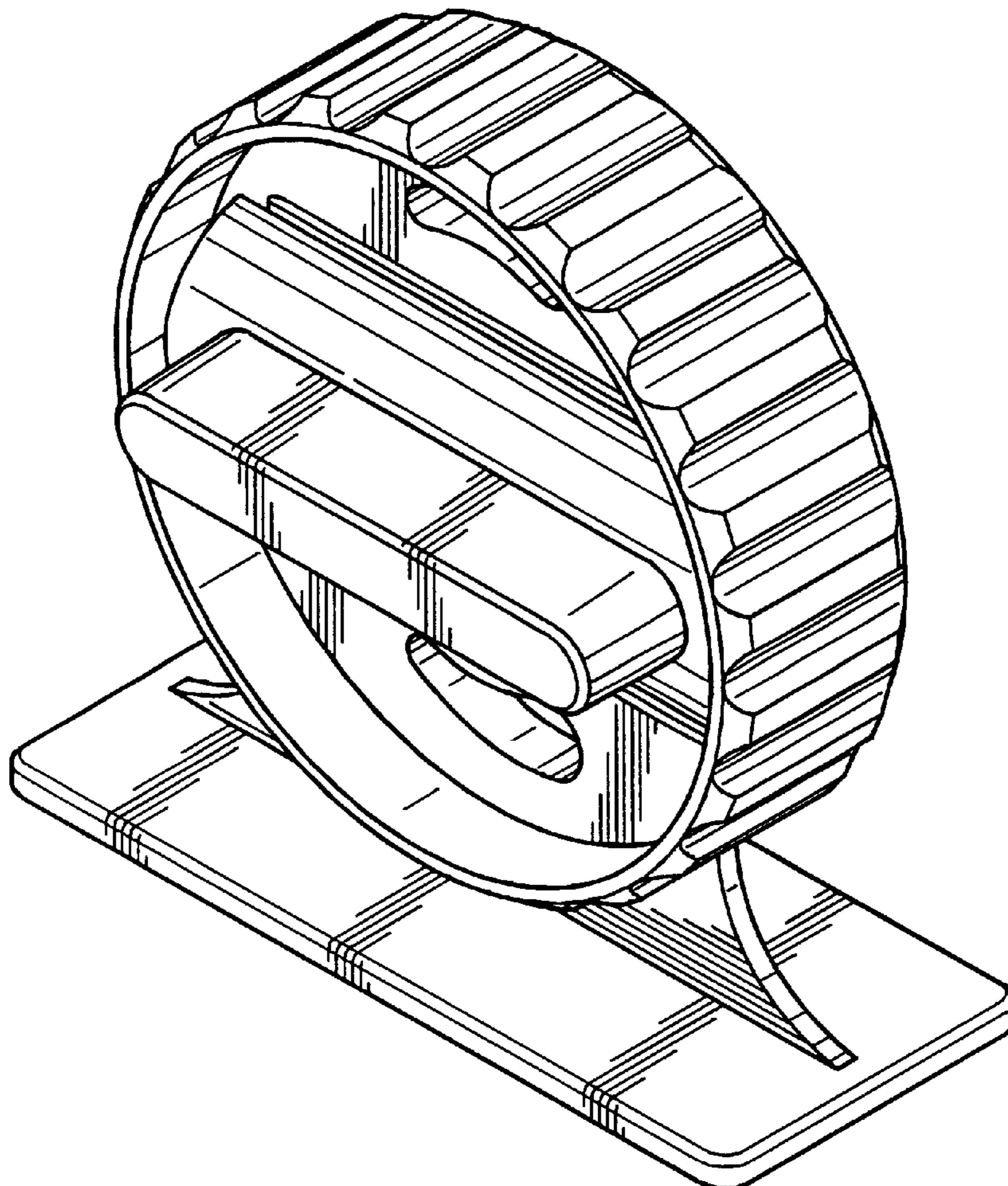
### [57] CLAIM

The ornamental design for a “micro-slicer”, as shown and described.

### DESCRIPTION

FIG. 1 is the front perspective view showing my new design; FIG. 2 is the front view thereof; FIG. 3 is the left-hand view thereof; FIG. 4 is the top view thereof; FIG. 5 is the rear view thereof; FIG. 6 is the right-hand view thereof; and, FIG. 7 is the bottom view thereof.

**1 Claim, 3 Drawing Sheets**



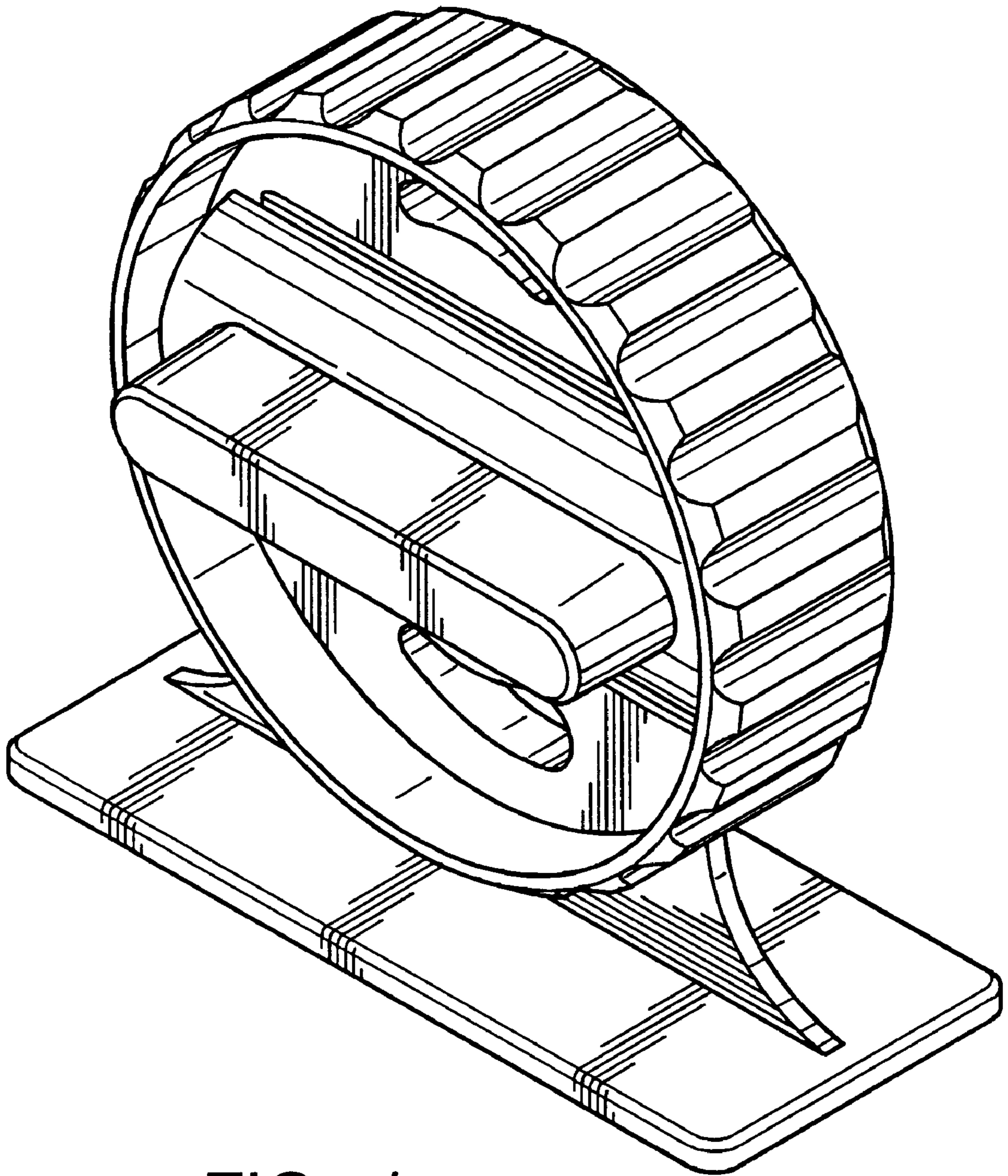


FIG. 1

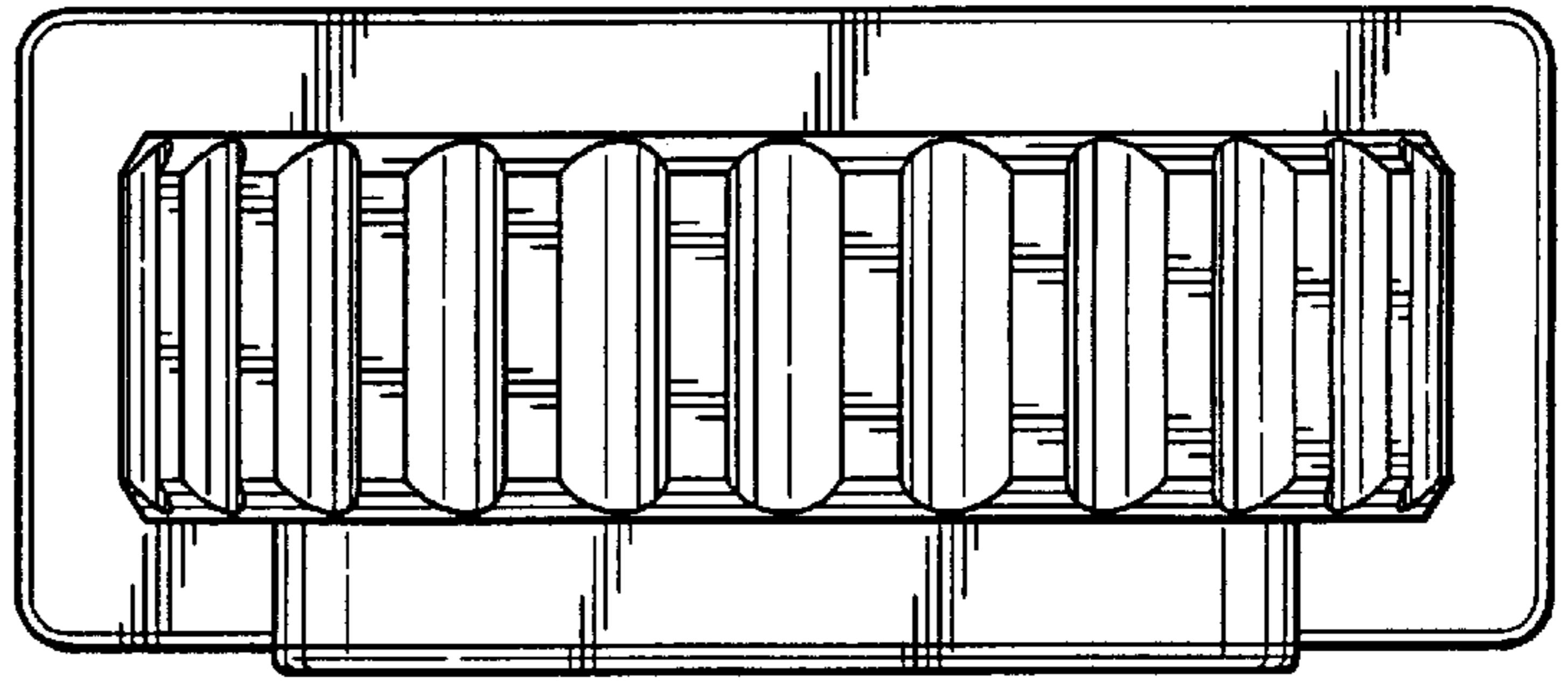


FIG. 4

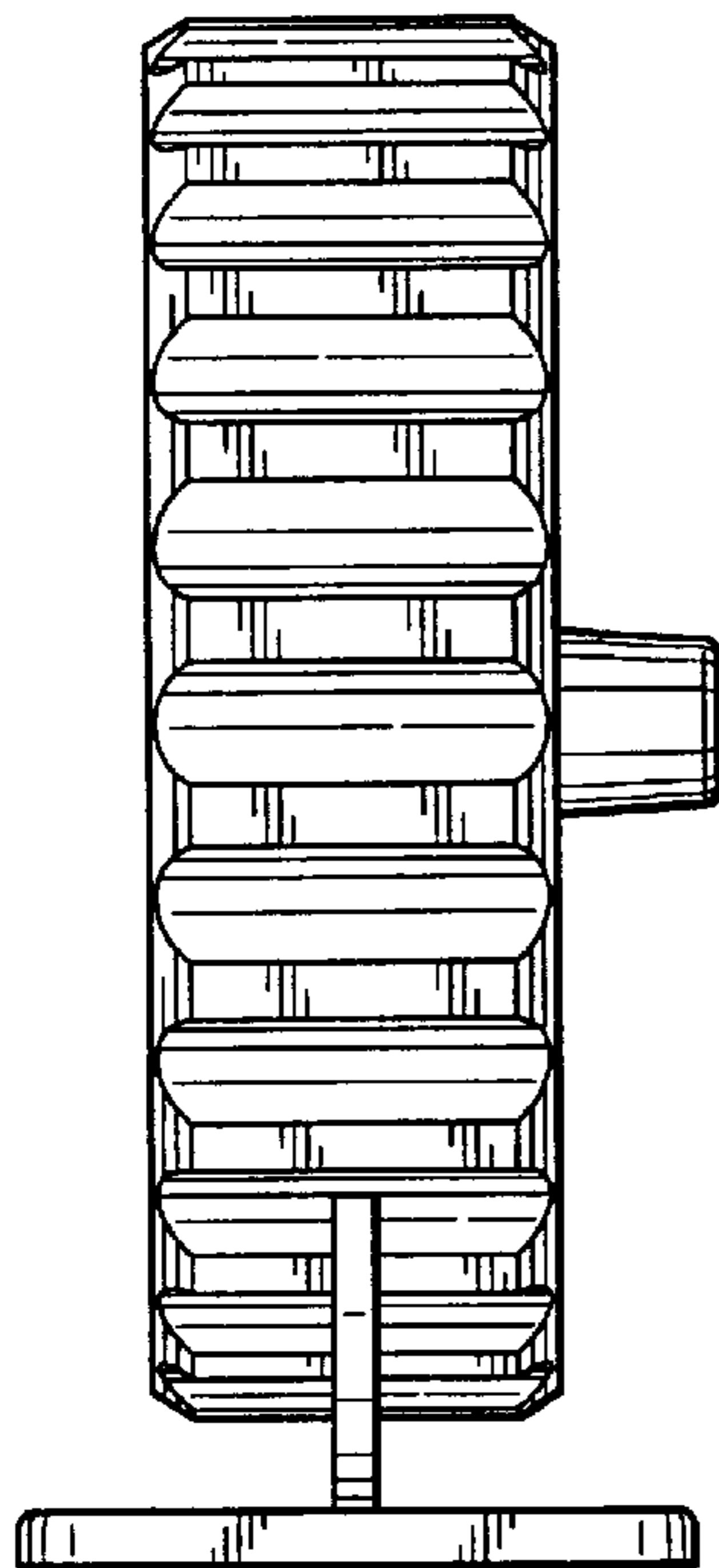


FIG. 3

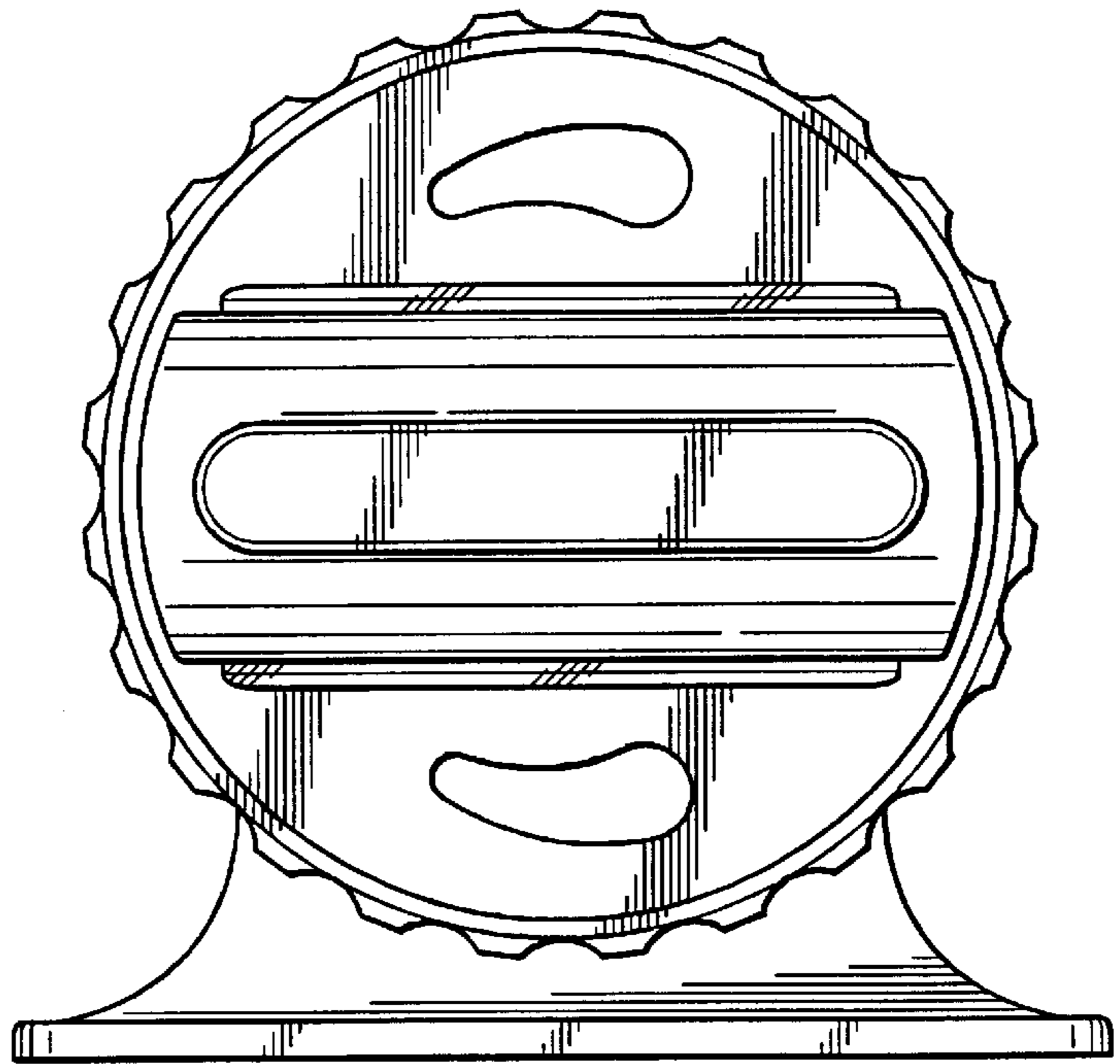


FIG. 2



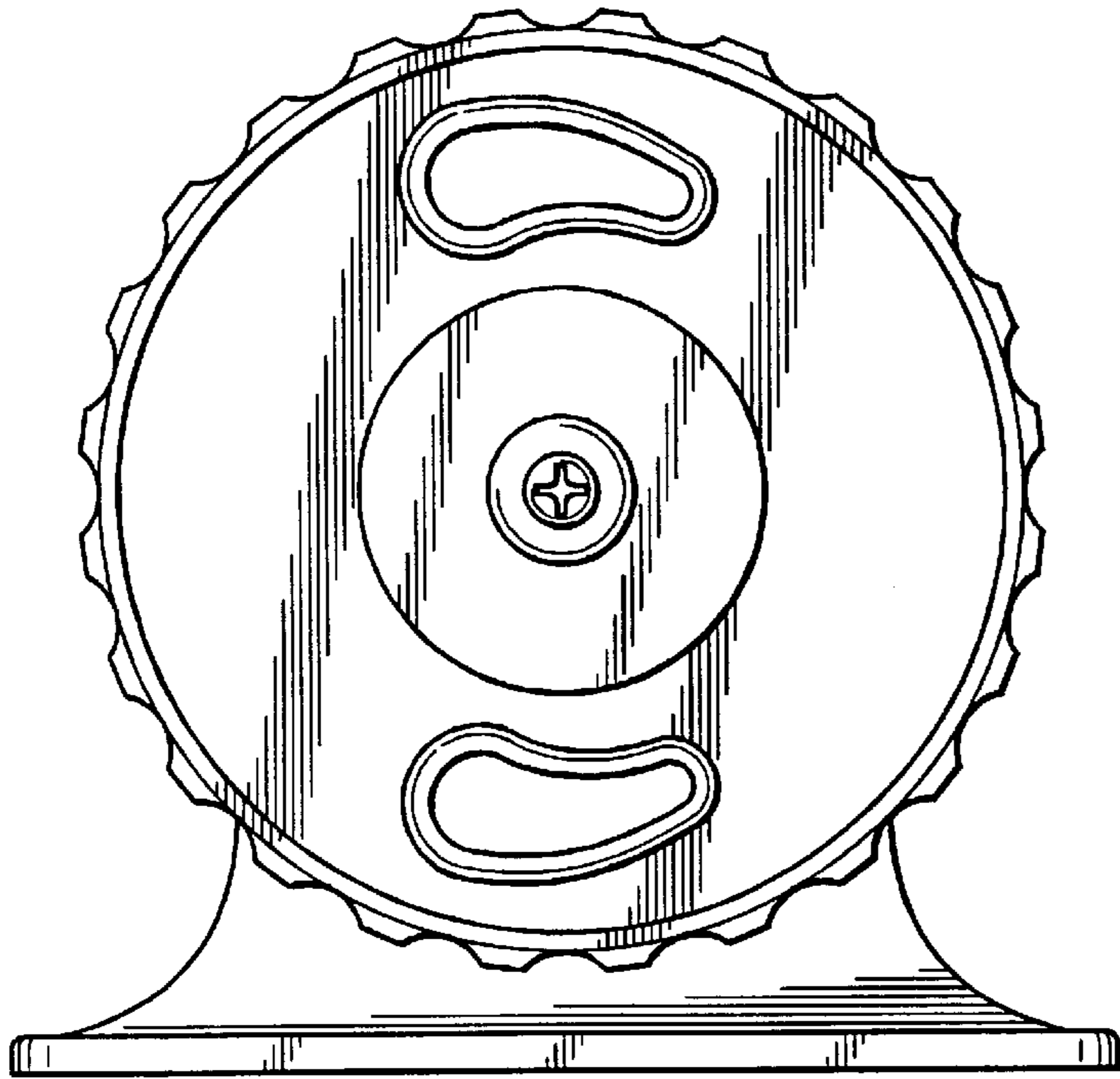


FIG. 5

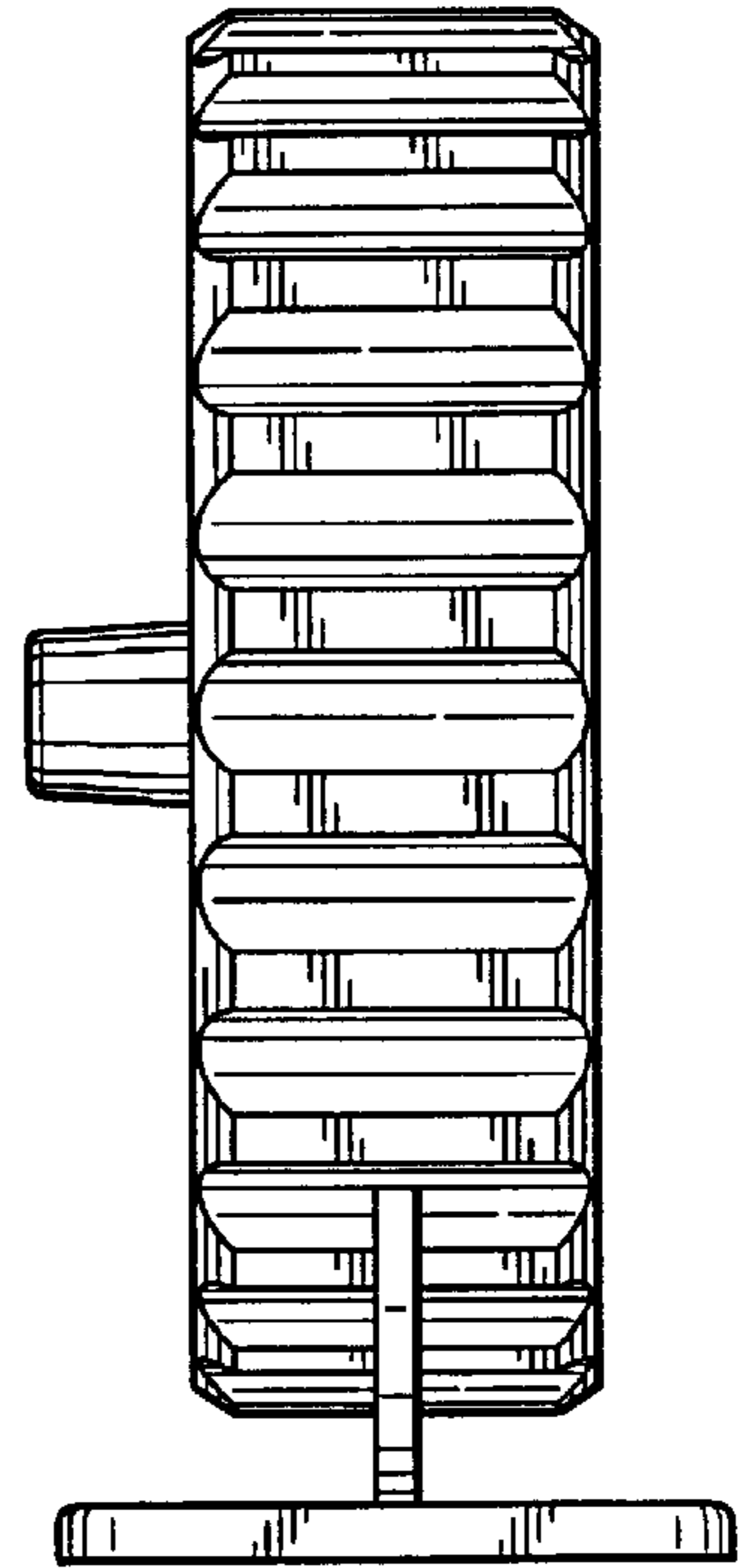


FIG. 6

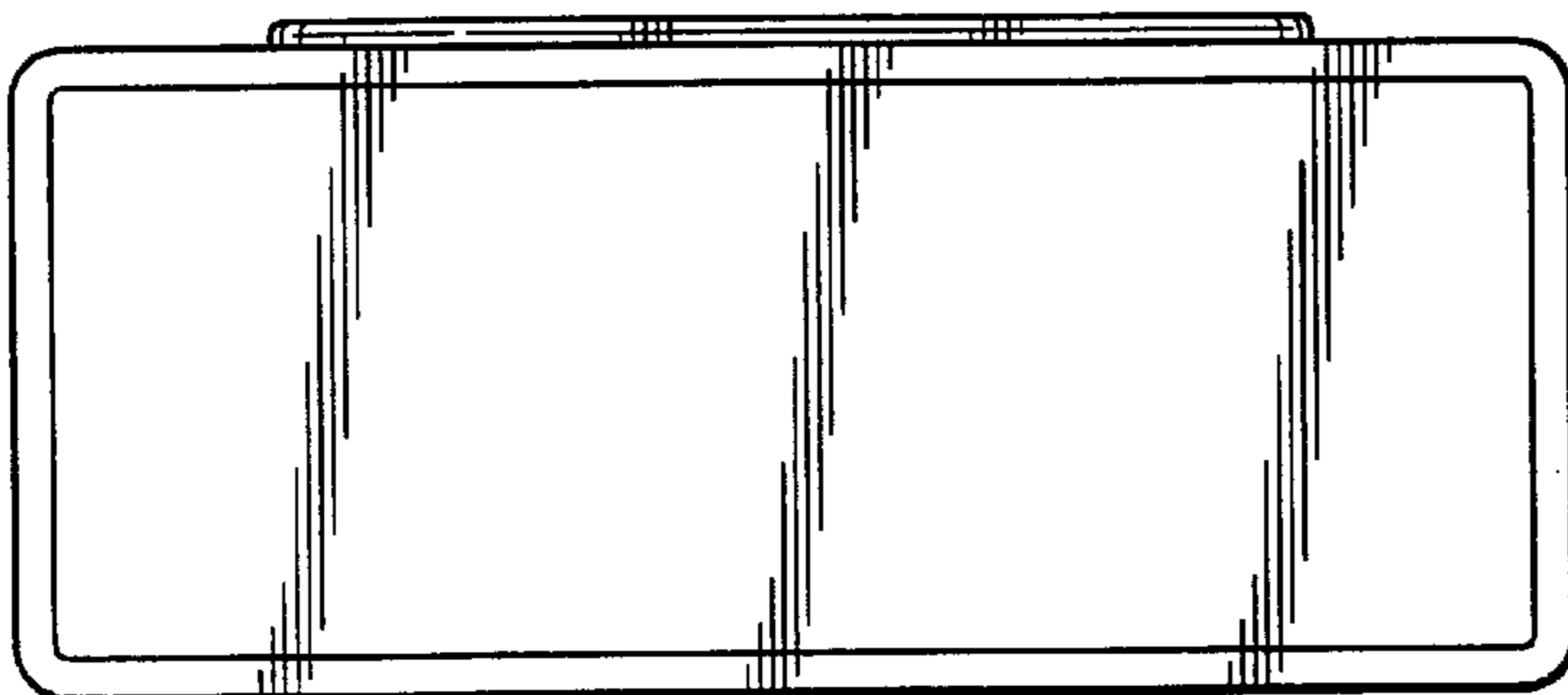


FIG. 7