



US00D424865S

United States Patent [19]

Crescenzi et al.

[11] Patent Number: **Des. 424,865**

[45] Date of Patent: **** May 16, 2000**

[54] **BLENDER WITH SOUND ENCLOSURE**

[75] Inventors: **Donald Crescenzi**, Killingworth;
Thomas Rockwell, Terryville; **Guy Casalino**, Weatogue; **Frank Chiappetta**, Woodbury; **Paul Turnrose**, Forestville, all of Conn.

[73] Assignee: **Dynamics Corporation of America**, New Hartford, Conn.

[**] Term: **14 Years**

[21] Appl. No.: **29/081,493**

[22] Filed: **Jan. 5, 1998**

[51] **LOC (7) Cl.** **31-00**

[52] **U.S. Cl.** **D7/378**

[58] **Field of Search** D7/323, 376-386,
D7/412, 413; 241/282.1, 282.2; 366/129,
130, 197, 199, 204, 205, 314; 400/689,
690, 690.1

[56] **References Cited**

U.S. PATENT DOCUMENTS

- D. 295,012 4/1988 Gelber D7/412
- D. 309,547 7/1990 Kane D7/323

- D. 310,932 10/1990 Mitsubayashi D7/378
- D. 311,658 10/1990 Mitsubayashi D7/378
- D. 320,716 10/1991 Maass D7/378
- D. 347,966 6/1994 Doggett D7/378
- 3,537,691 11/1970 Tsuruta et al. 241/282.2

Primary Examiner—Caron D. Veynar
Attorney, Agent, or Firm—McCormick, Paulding & Huber LLP

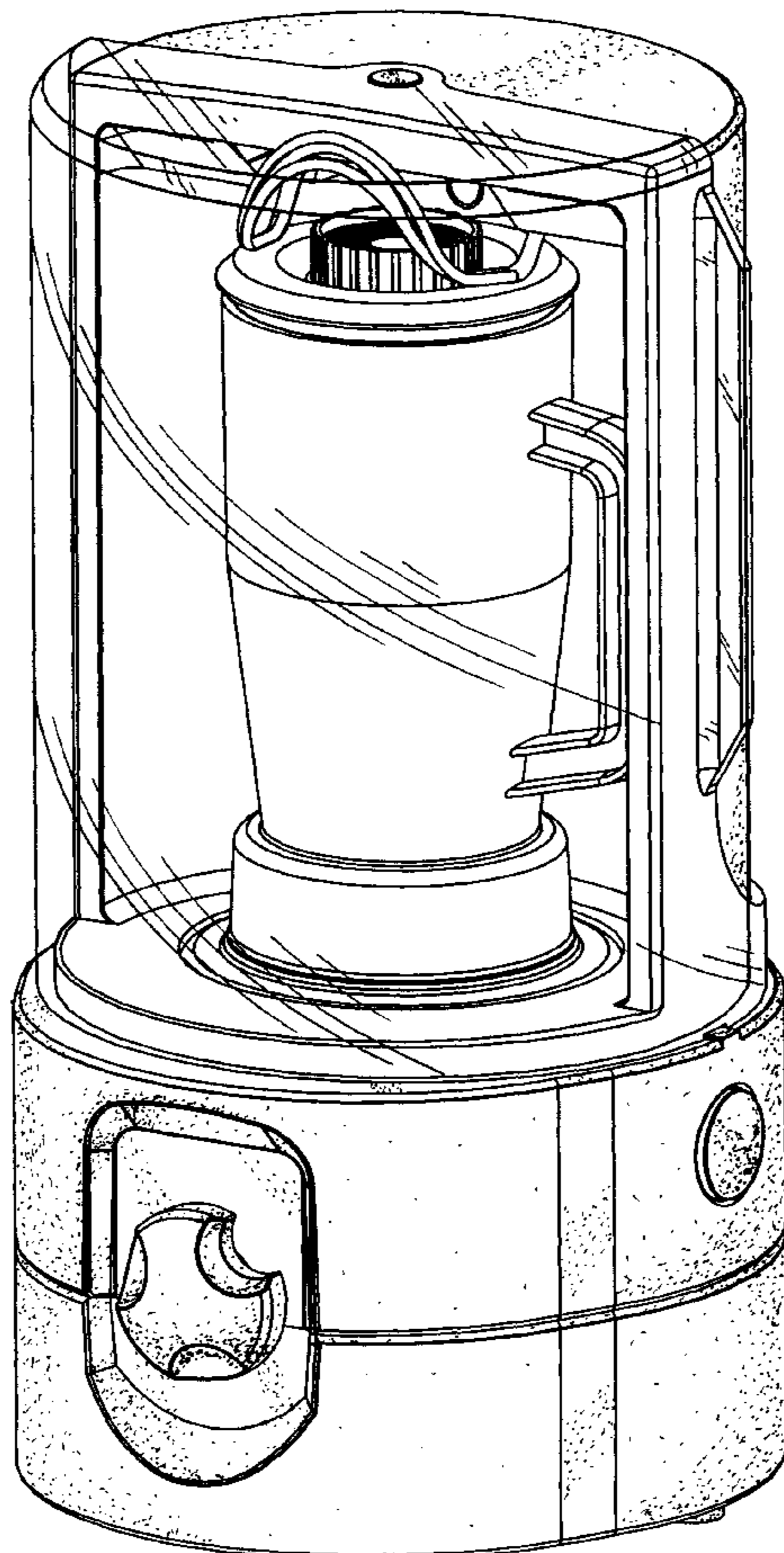
[57] **CLAIM**

The ornamental design for the blender with sound enclosure, as shown and described.

DESCRIPTION

FIG. 1 is a perspective view of the blender with sound enclosure.
 FIG. 2 is a top view of the blender with sound enclosure.
 FIG. 3 is a bottom view of the blender with sound enclosure.
 FIG. 4 is a front view of the blender with sound enclosure.
 FIG. 5 is a right hand side view of the blender with sound enclosure.
 FIG. 6 is a rear view of the blender with sound enclosure; and,
 FIG. 7 is a left hand side view of the blender with sound enclosure.

1 Claim, 6 Drawing Sheets



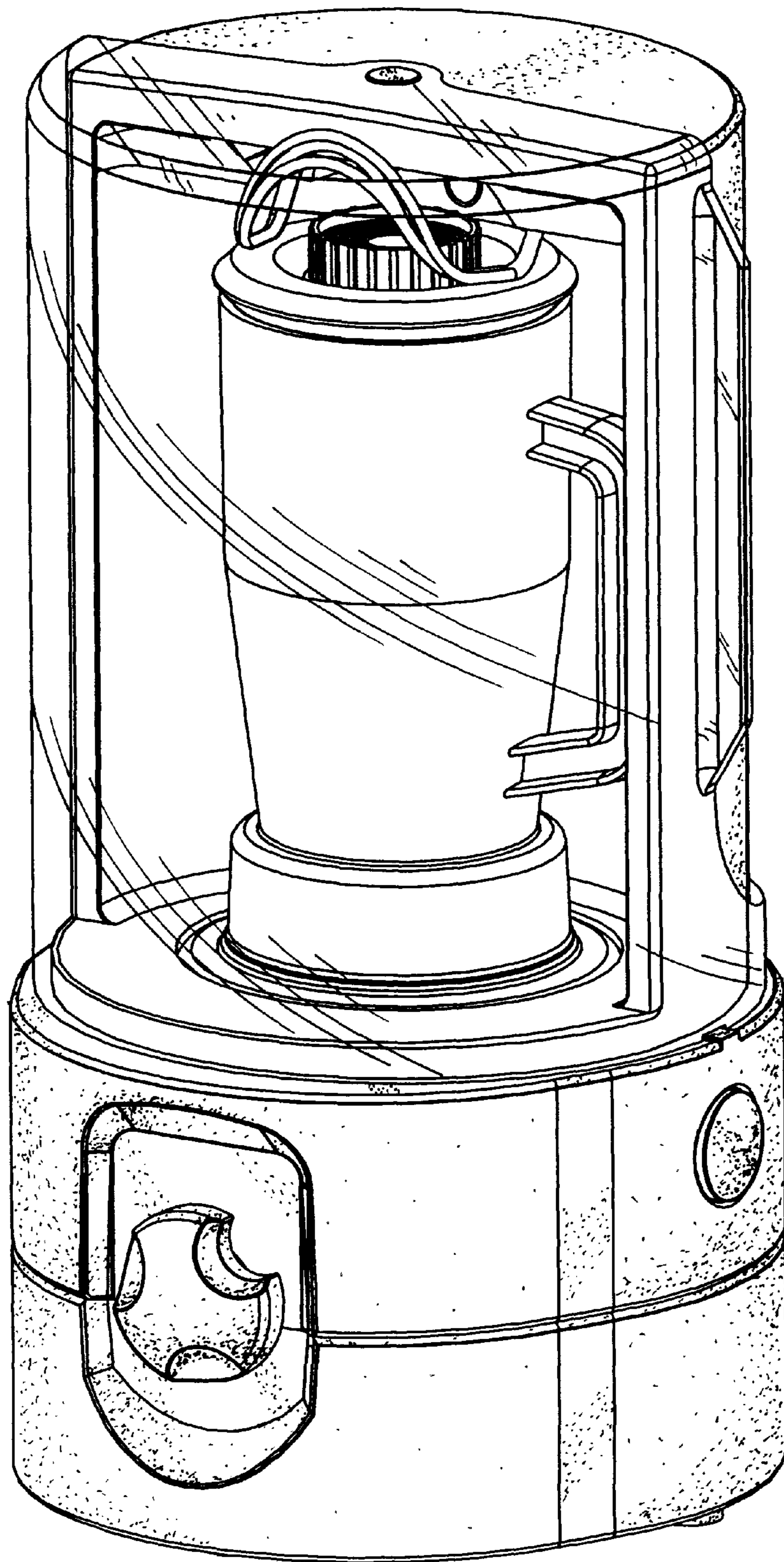


FIG. 1

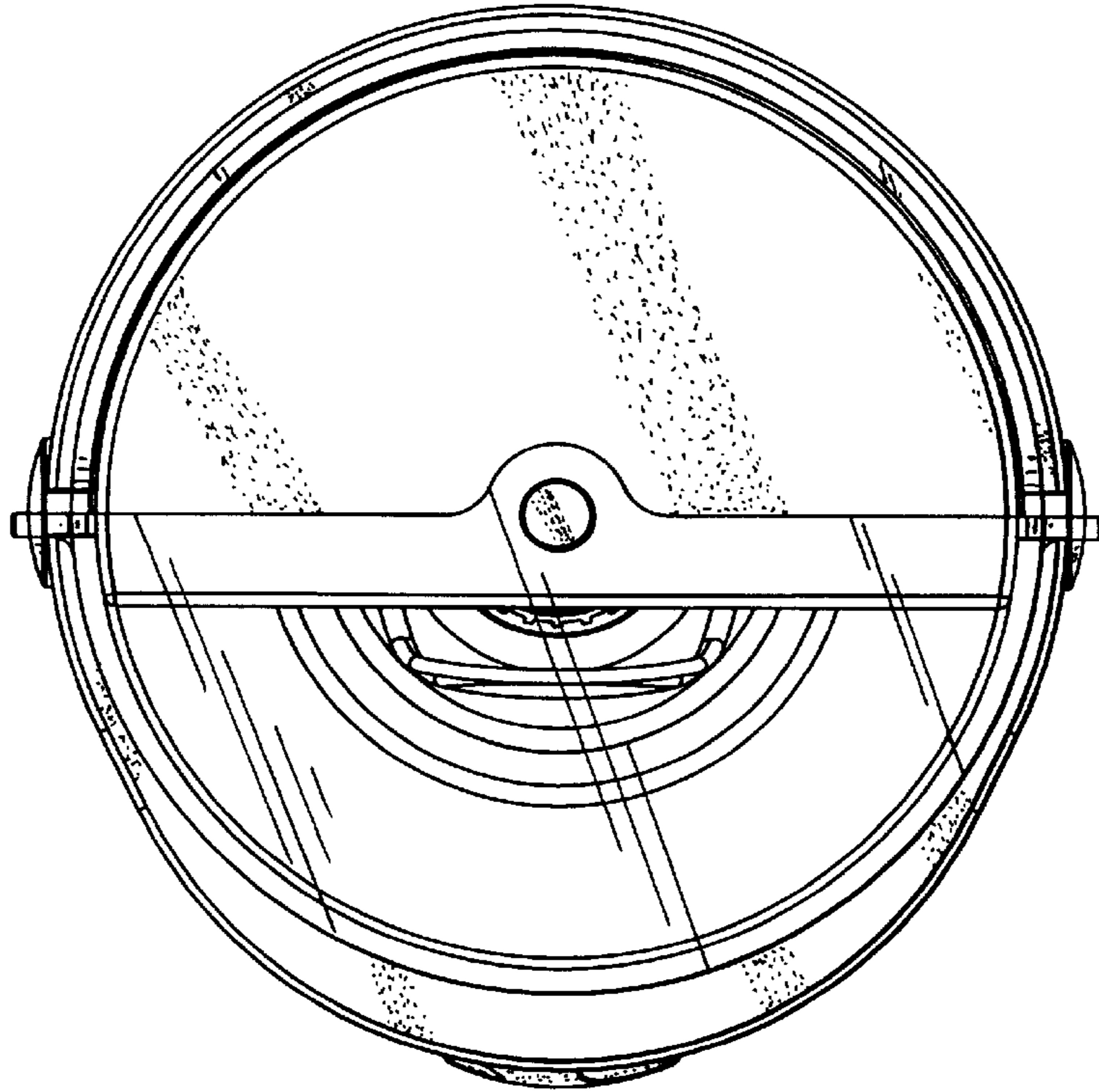


FIG. 2

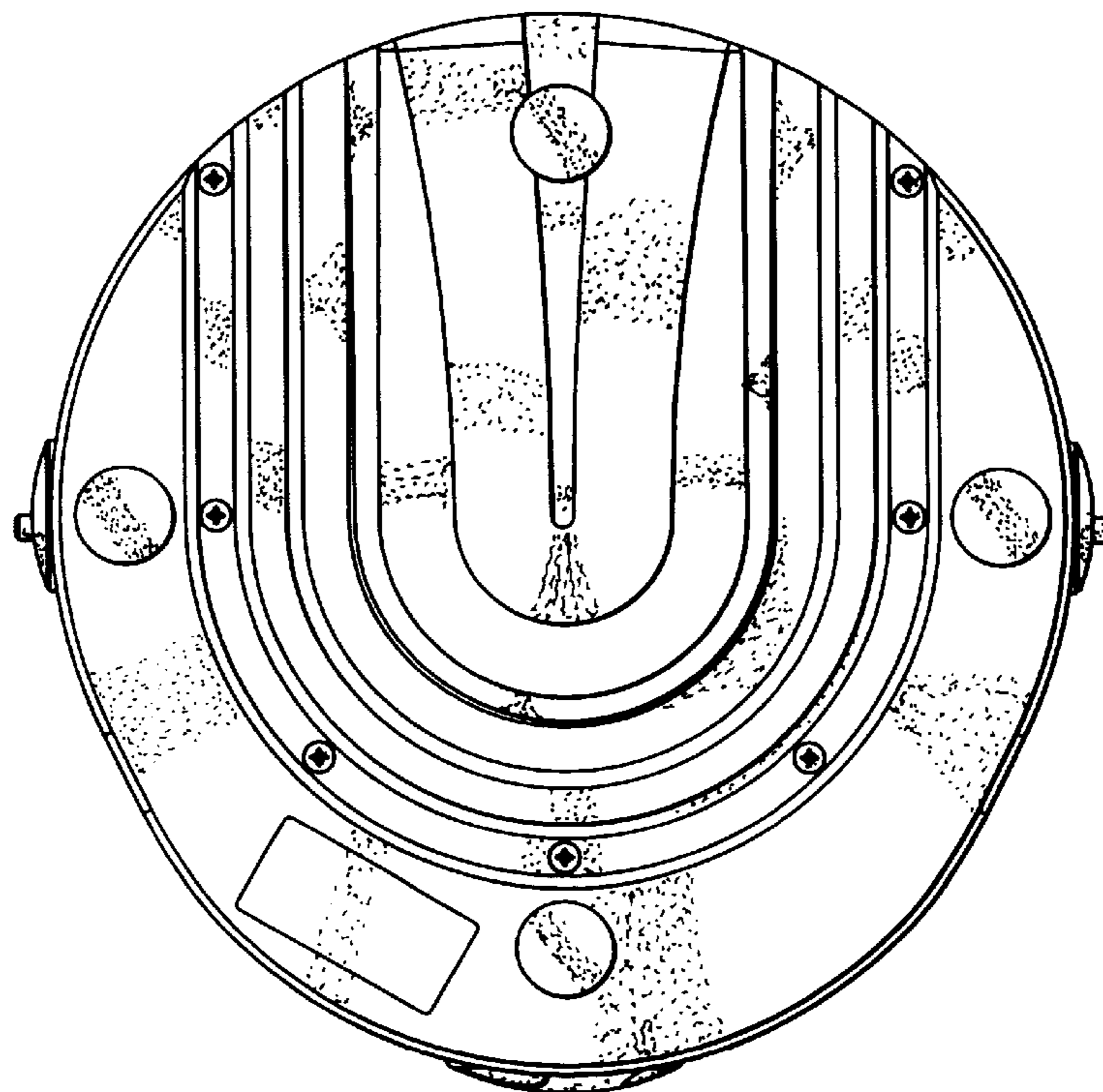


FIG. 3

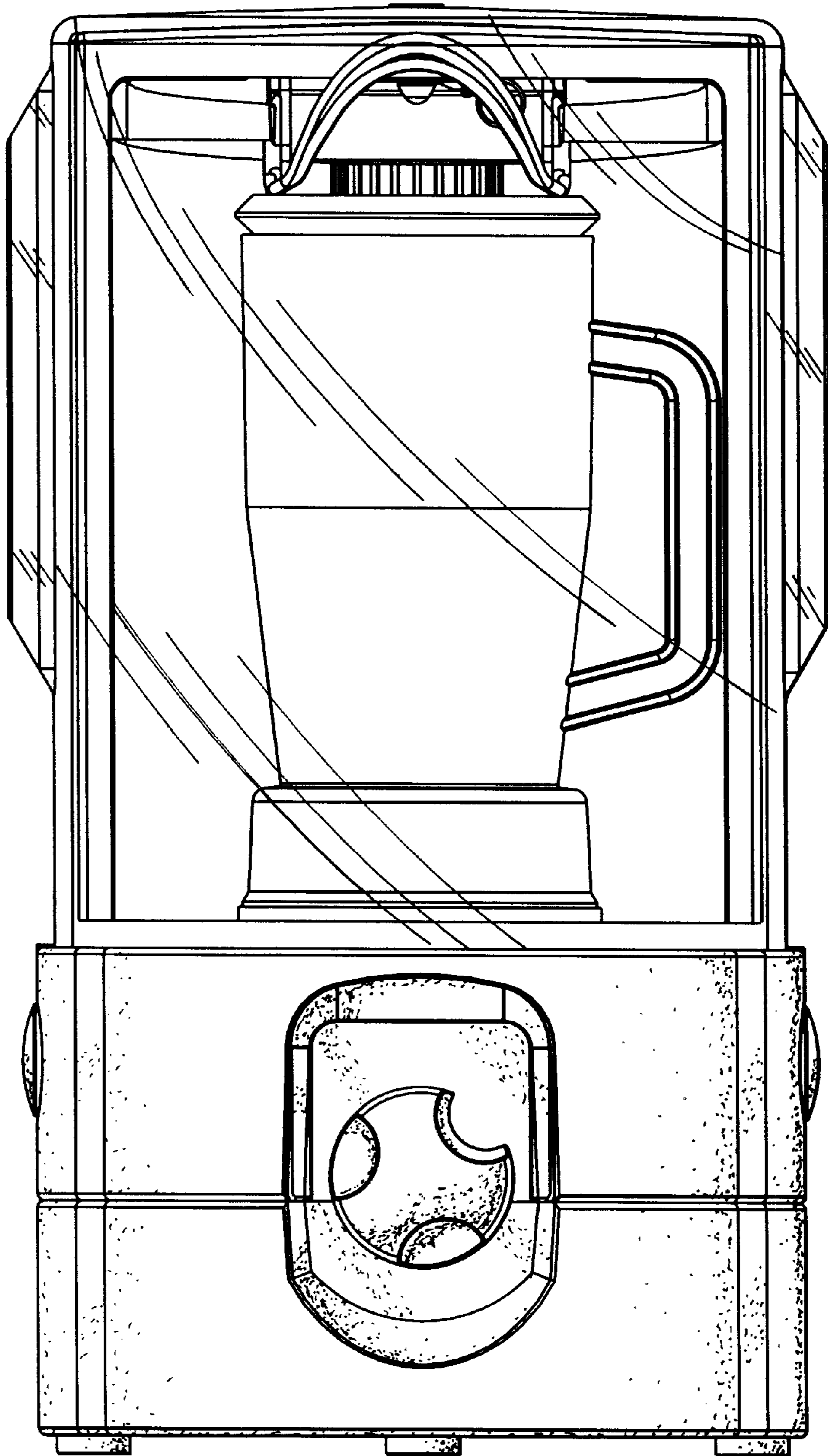


FIG. 4

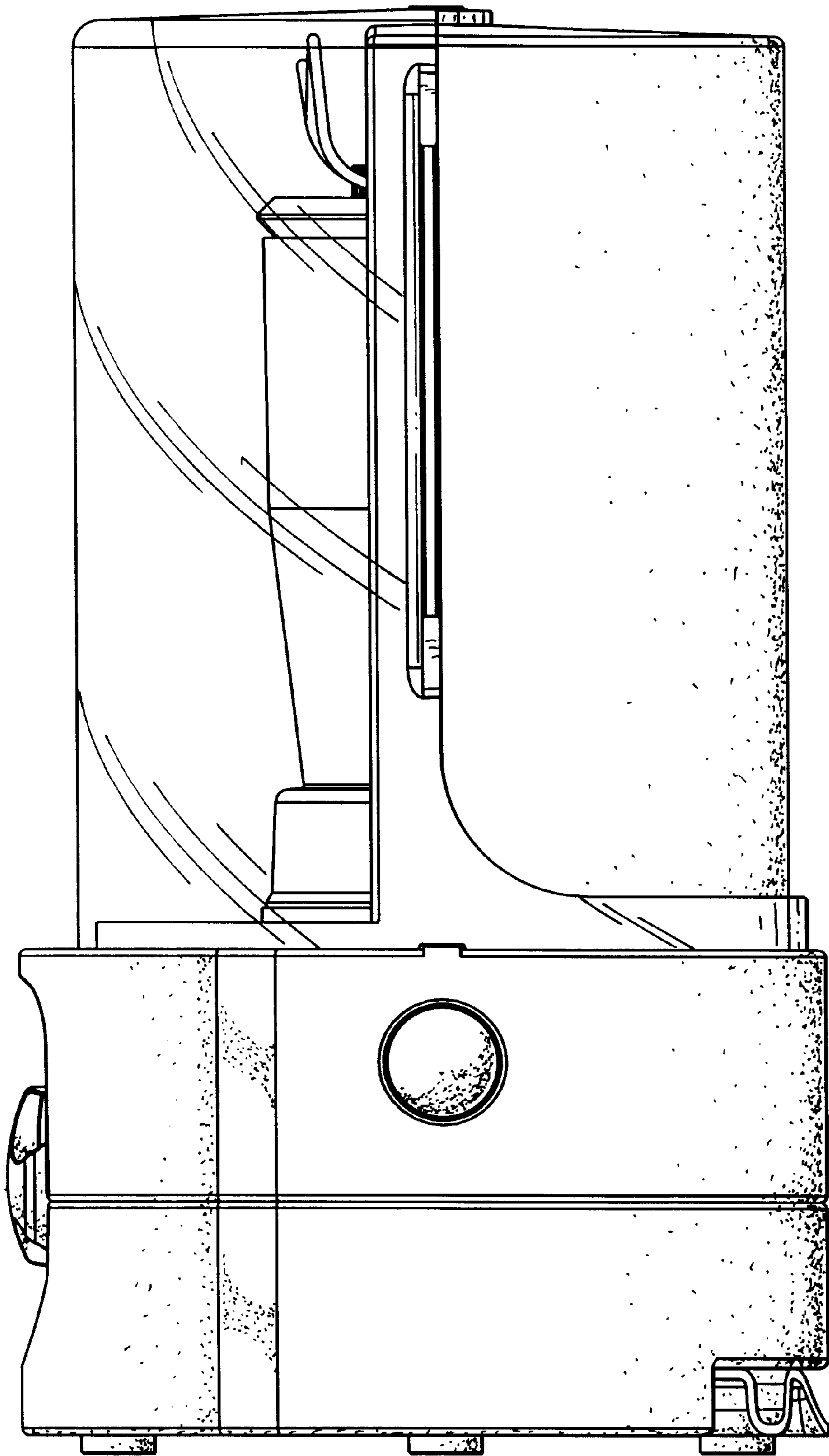


FIG. 5

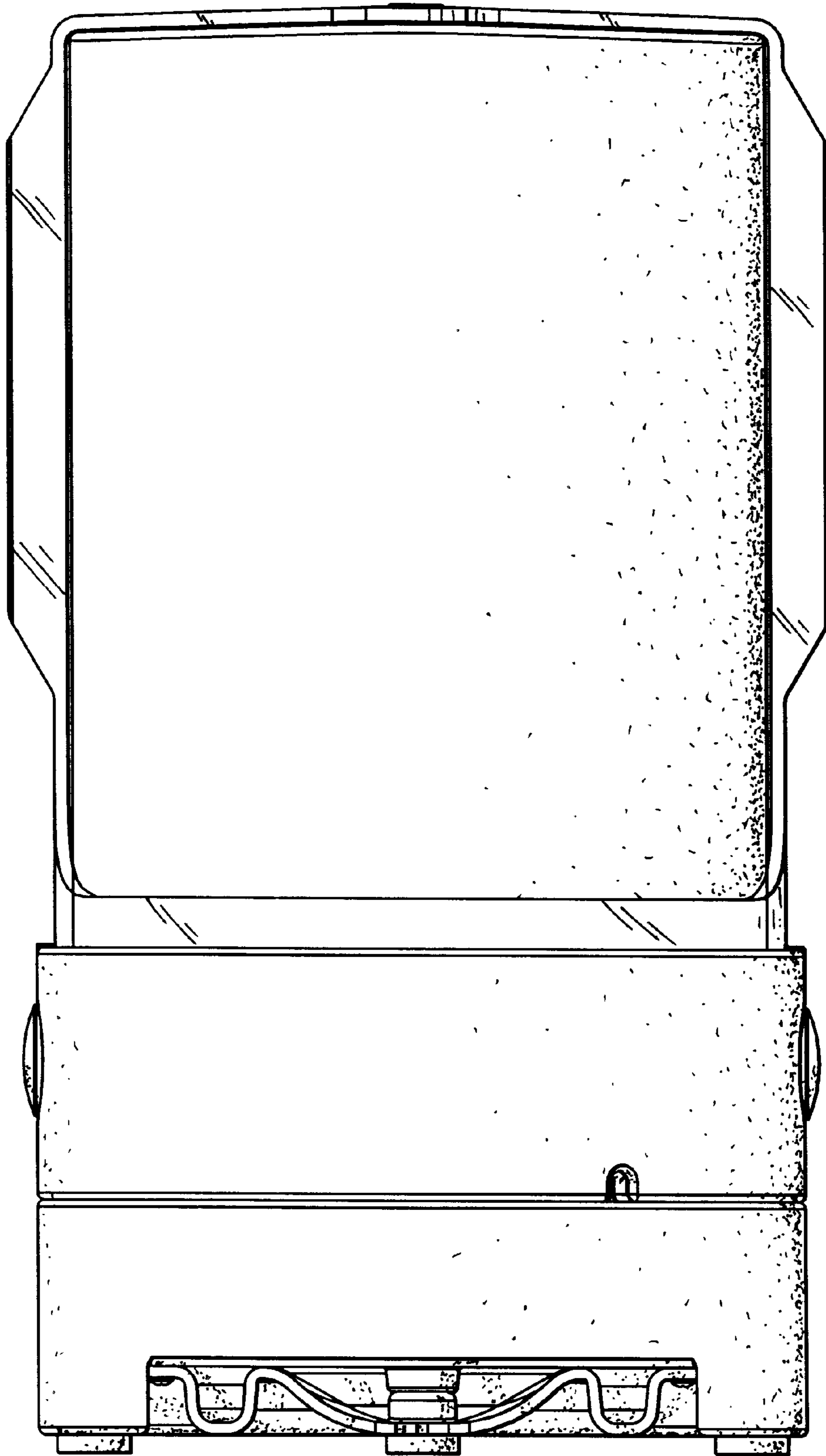


FIG. 6

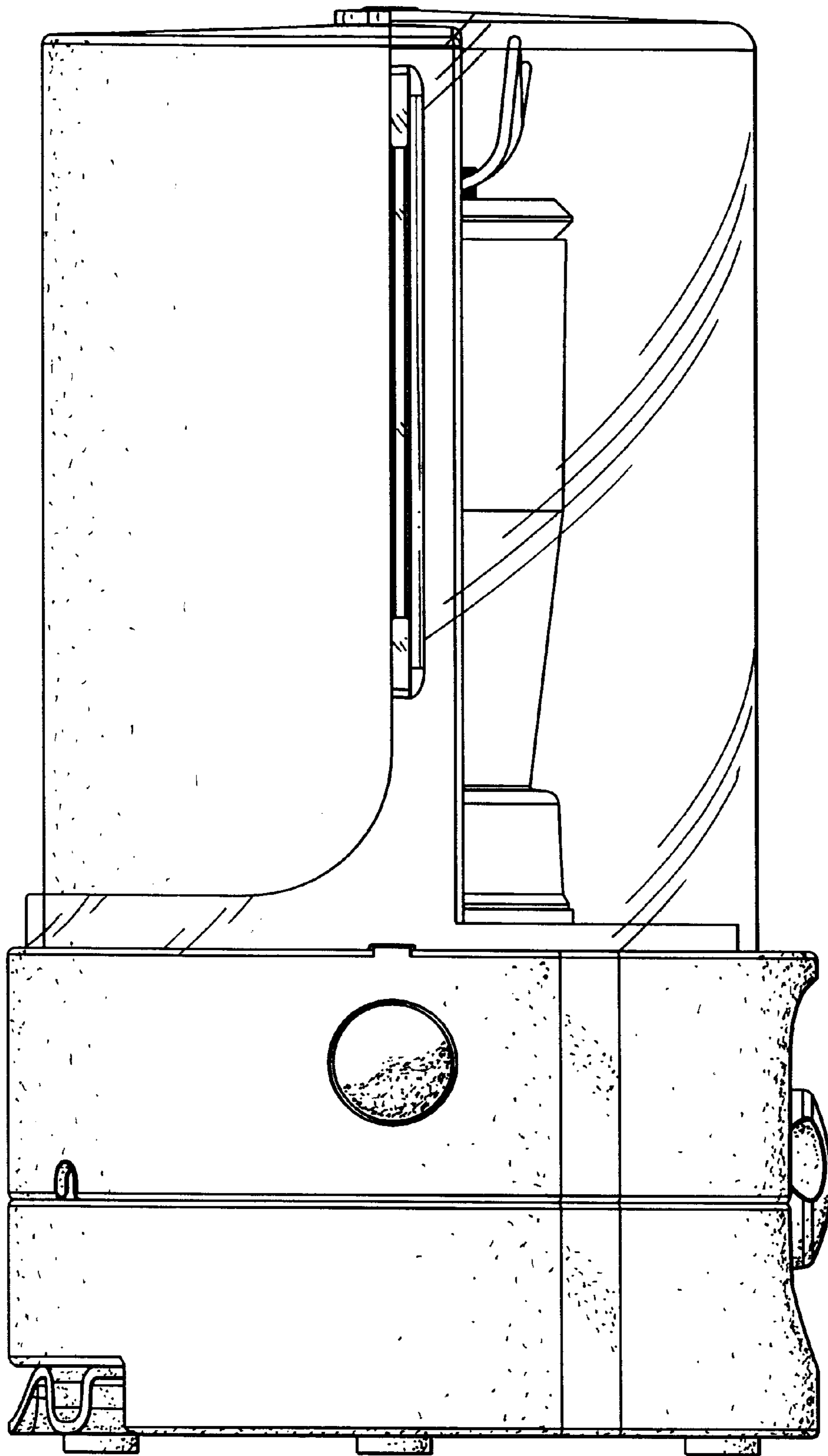


FIG. 7