



US00D424863S

United States Patent [19] Varakian

[11] Patent Number: **Des. 424,863**

[45] Date of Patent: **** May 16, 2000**

[54] **REVERSIBLE BAKING TIN**

[75] Inventor: **Robert A. Varakian**, Pine Brook, N.J.

[73] Assignee: **B. Via International Housewares, Inc.**,
Franklin Park, Ill.

[**] Term: **14 Years**

[21] Appl. No.: **29/084,463**

[22] Filed: **Mar. 4, 1998**

[51] **LOC (7) Cl.** **07-02**

[52] **U.S. Cl.** **D7/354; D7/409**

[58] **Field of Search** D7/323, 354, 357,
D7/359, 409, 550.1, 552.2, 553.1, 553.2,
553.3, 553.4, 554.3; 99/324, 422, 426;
206/557, 564; 220/573.1, 574, 500, 912

[56] **References Cited**

U.S. PATENT DOCUMENTS

| | | | | |
|------------|---------|----------------|-------|----------|
| D. 64,912 | 6/1924 | McCorkell | | D7/553.5 |
| D. 241,106 | 8/1976 | Krieger et al. | | D7/551.1 |
| D. 251,176 | 2/1979 | Lewis | | D7/359 |
| D. 257,116 | 9/1980 | Lakatos et al. | | D7/357 |
| D. 268,981 | 5/1983 | Monson | | D7/359 |
| D. 289,488 | 4/1987 | Gyebnar | | D7/391 |
| D. 292,357 | 10/1987 | Narain | | D7/554.3 |

| | | | | |
|------------|---------|-----------------|-------|----------|
| D. 346,528 | 5/1994 | Crawford et al. | | D7/357 |
| D. 361,514 | 8/1995 | Krupa et al. | | D9/456 |
| D. 384,778 | 10/1997 | Powers et al. | | D7/550 X |
| 2,198,647 | 4/1940 | Wolcott | | 99/340 |
| 3,831,507 | 8/1974 | Wheaton | | 99/428 |
| 4,011,431 | 3/1977 | Levin | | 219/524 |

Primary Examiner—Caron D. Veynar
Attorney, Agent, or Firm—Wolf, Greenfield & Sacks, P.C.

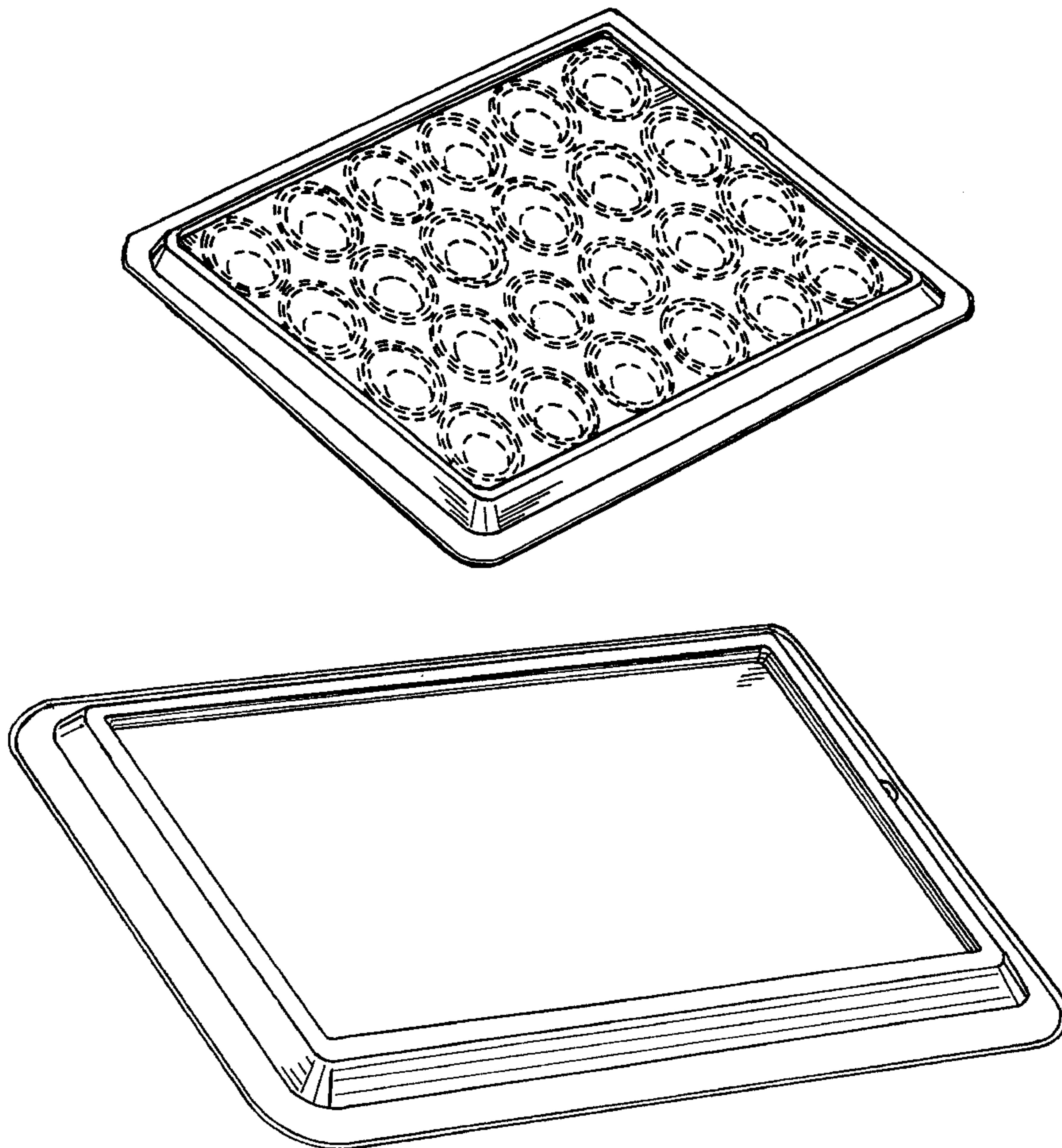
[57] **CLAIM**

The ornamental design for a reversible baking tin, as shown and described.

DESCRIPTION

FIG. 1 is a side, top, perspective view of the reversible baking tin;
FIG. 2 is a top view thereof;
FIG. 3 is a front side view thereof, the rear side view being a mirror image of the front side view;
FIG. 4 is a left side view thereof, the right side view being a mirror image of the left side view;
FIG. 5 is a side, bottom, perspective view thereof; and,
FIG. 6 is a bottom view thereof.
The broken line showing of muffin cups in FIGS. 1 and 2 are for illustrative purposes only and form no part of the claimed design.

1 Claim, 3 Drawing Sheets



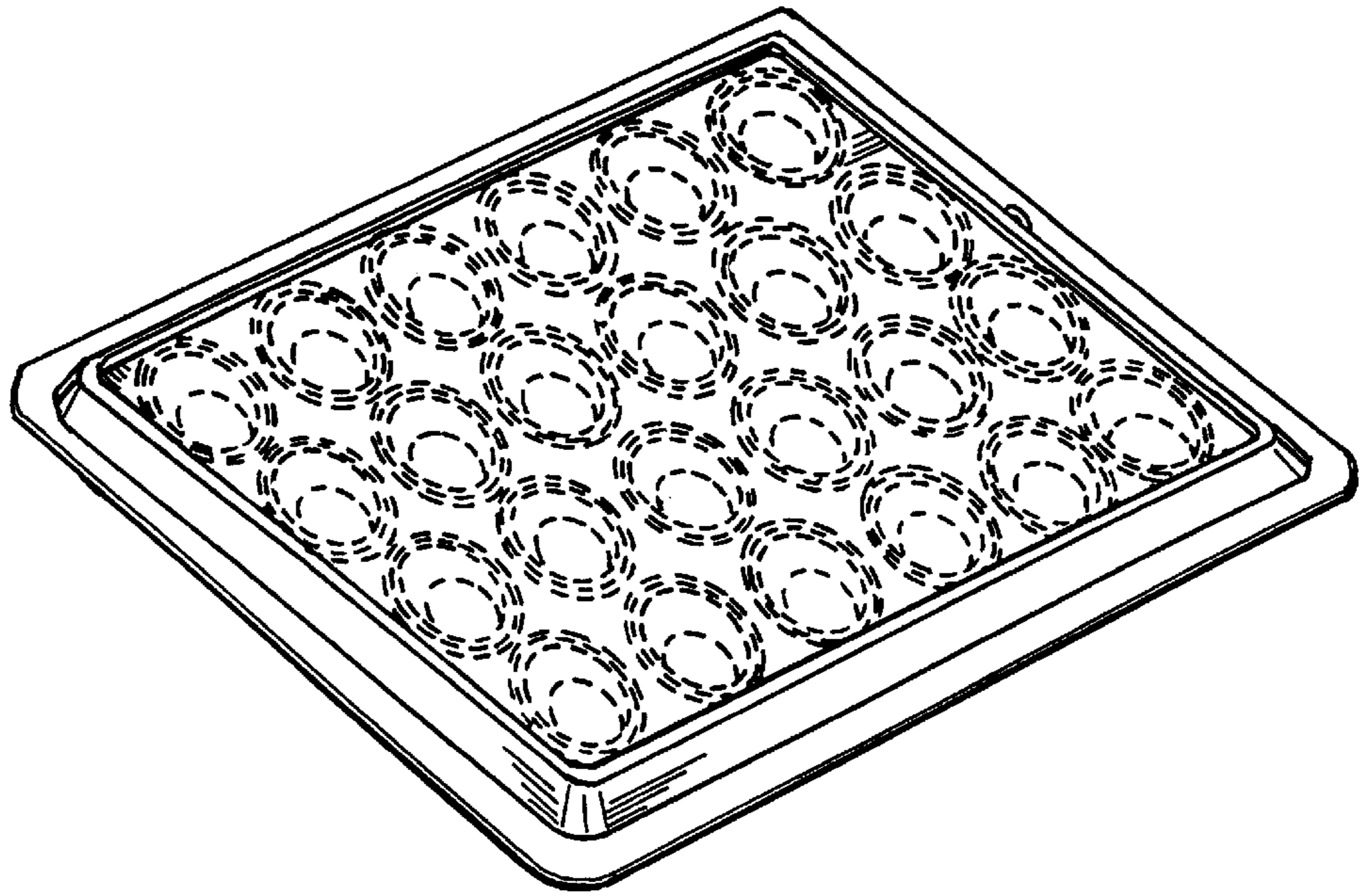


Fig. 1

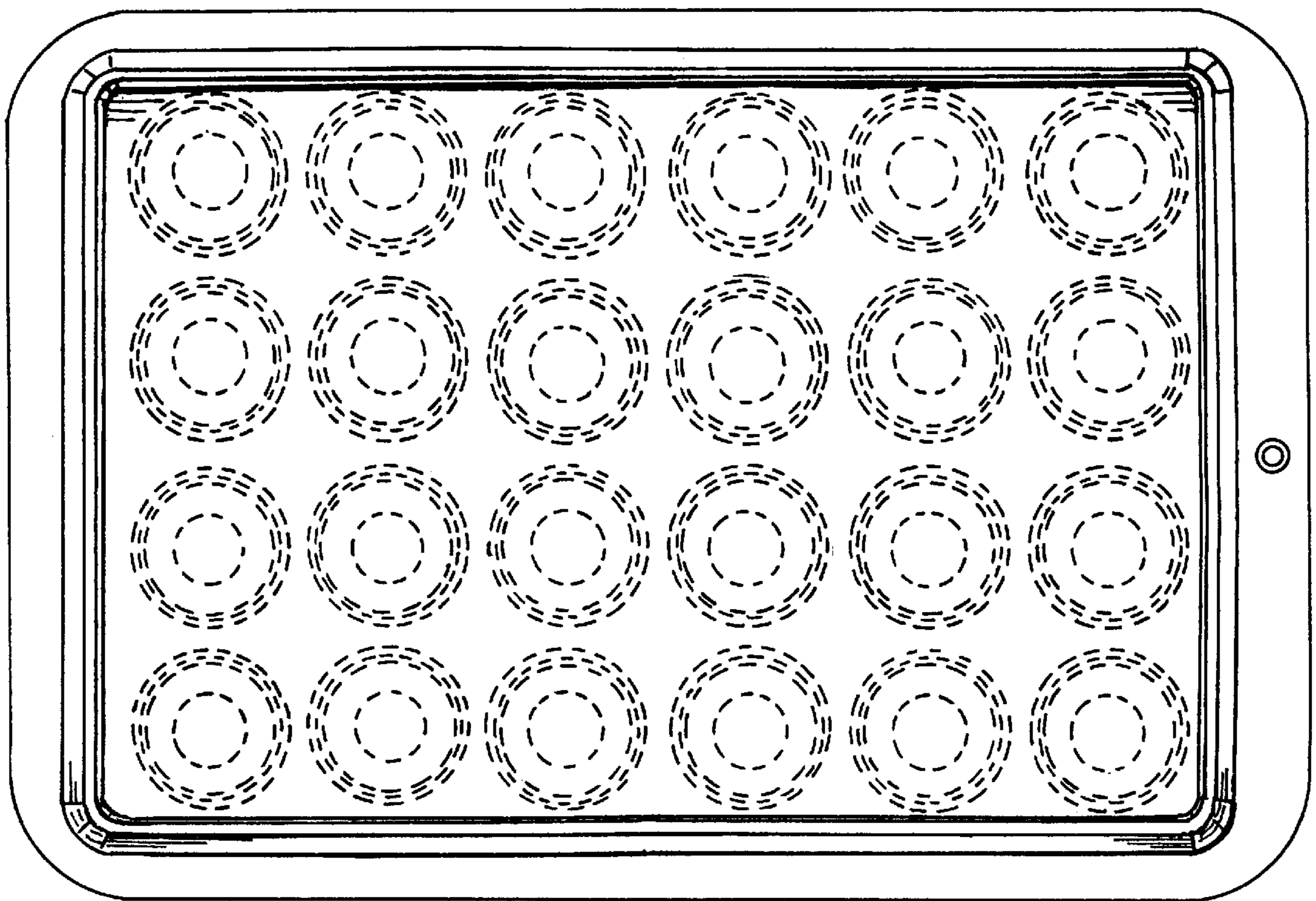


Fig. 2

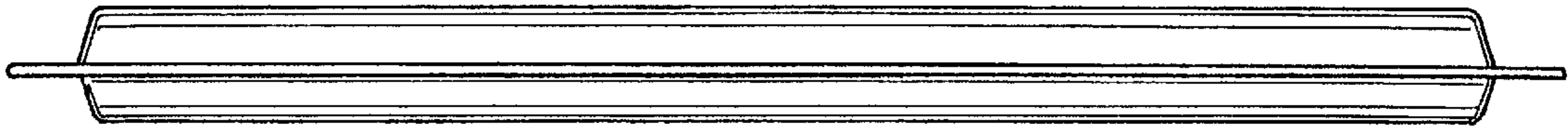


Fig. 3

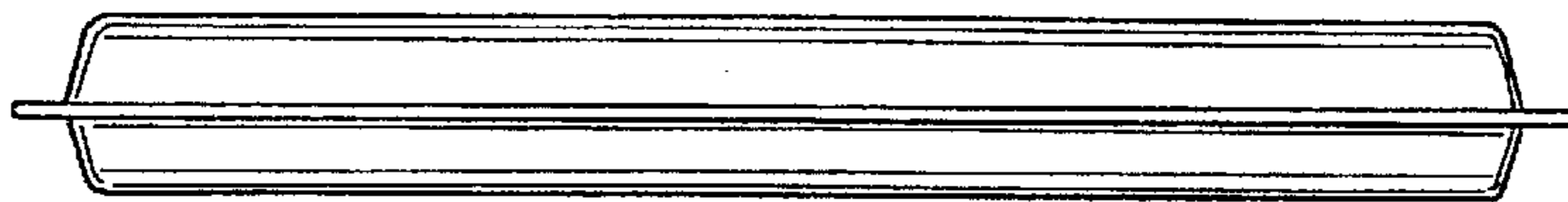


Fig. 4

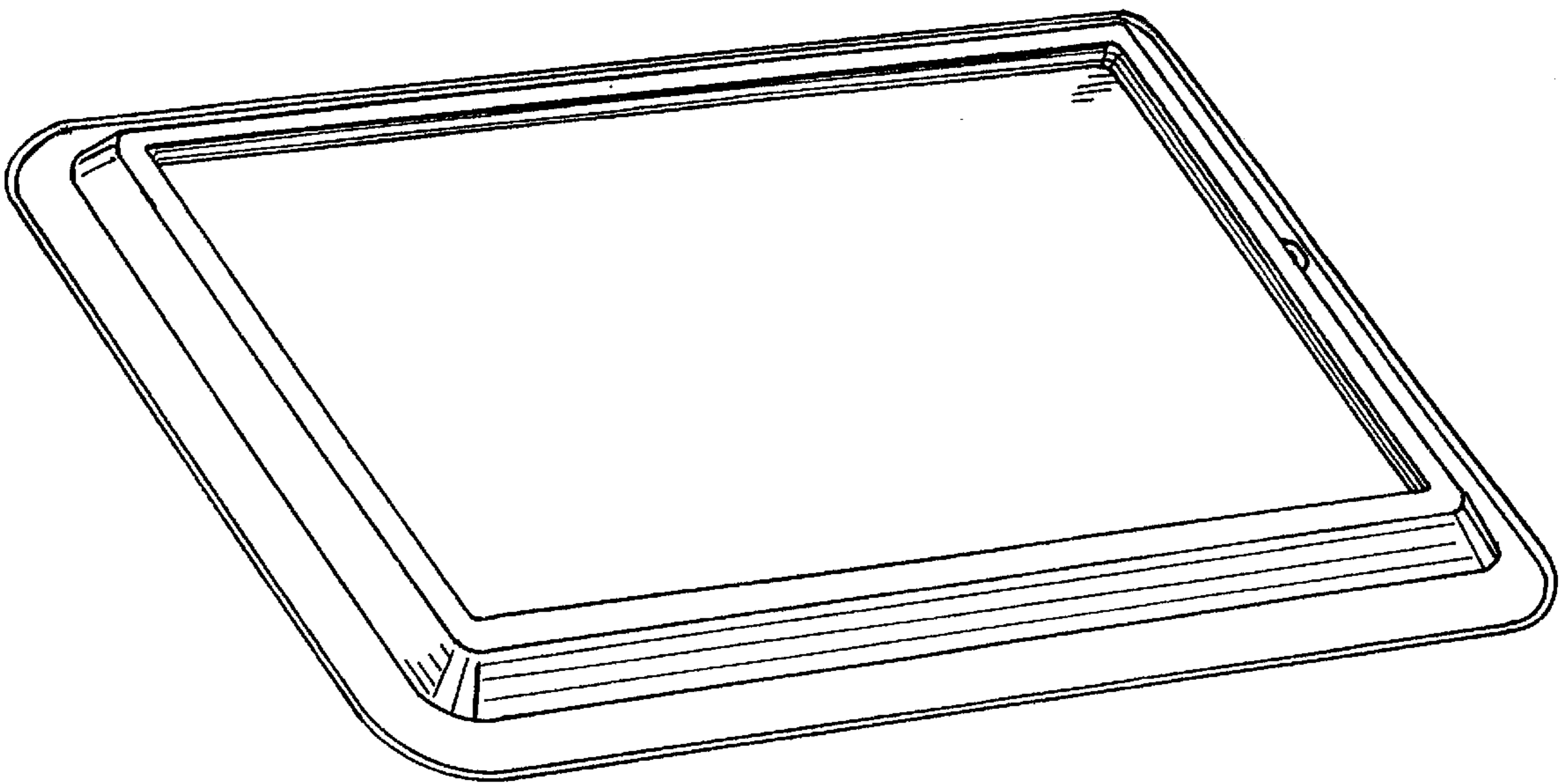


Fig. 5

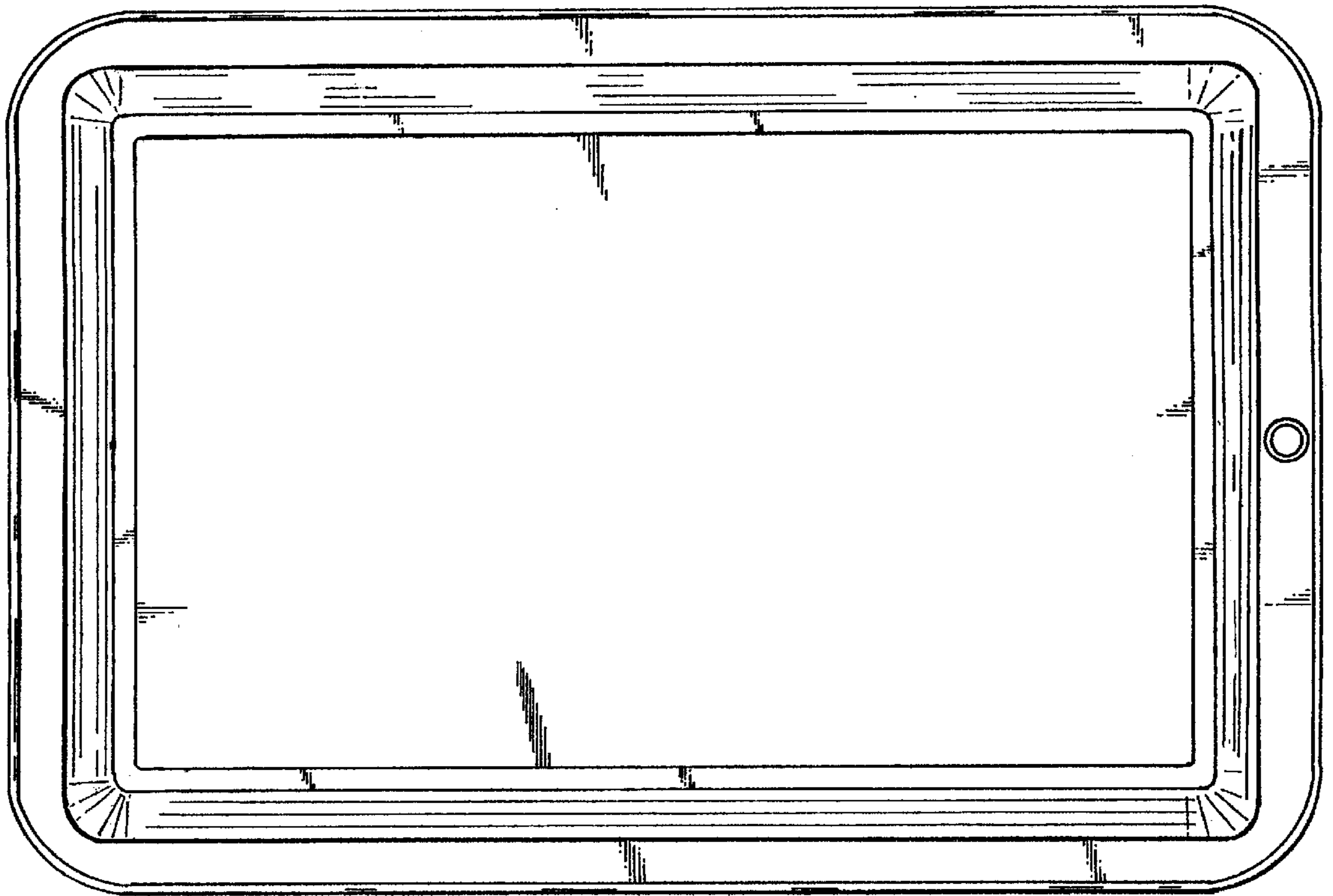


Fig. 6