



US00D424861S

United States Patent [19] Hughes

[11] **Patent Number: Des. 424,861**

[45] **Date of Patent: ** May 16, 2000**

[54] **TOASTER**

[75] Inventor: **Sean Patrick Hughes**, Hong Kong, China

[73] Assignee: **U.S. Philips Corporation**, New York, N.Y.

[**] Term: **14 Years**

[21] Appl. No.: **29/106,115**

[22] Filed: **Jun. 8, 1999**

[30] **Foreign Application Priority Data**

Dec. 18, 1998 [WO] WIPO DMA/004 324

[51] **LOC (7) Cl.** **07-02**

[52] **U.S. Cl.** **D7/330**

[58] **Field of Search** D7/323, 328-330, D7/387, 390; 99/329 R, 331, 332, 334, 335, 372, 385, 389

[56] **References Cited**

U.S. PATENT DOCUMENTS

D. 107,552 12/1937 Scharfenberg D7/330

D. 148,936 3/1948 Laylon D7/330
D. 155,009 8/1949 Huck D7/330
D. 384,542 10/1997 Pena Angarita D7/330
D. 384,543 10/1997 Pena Angarita D7/330
D. 396,165 7/1998 Pena Angarita D7/330

Primary Examiner—Caron D. Veynar
Attorney, Agent, or Firm—Ernestine C. Bartlett

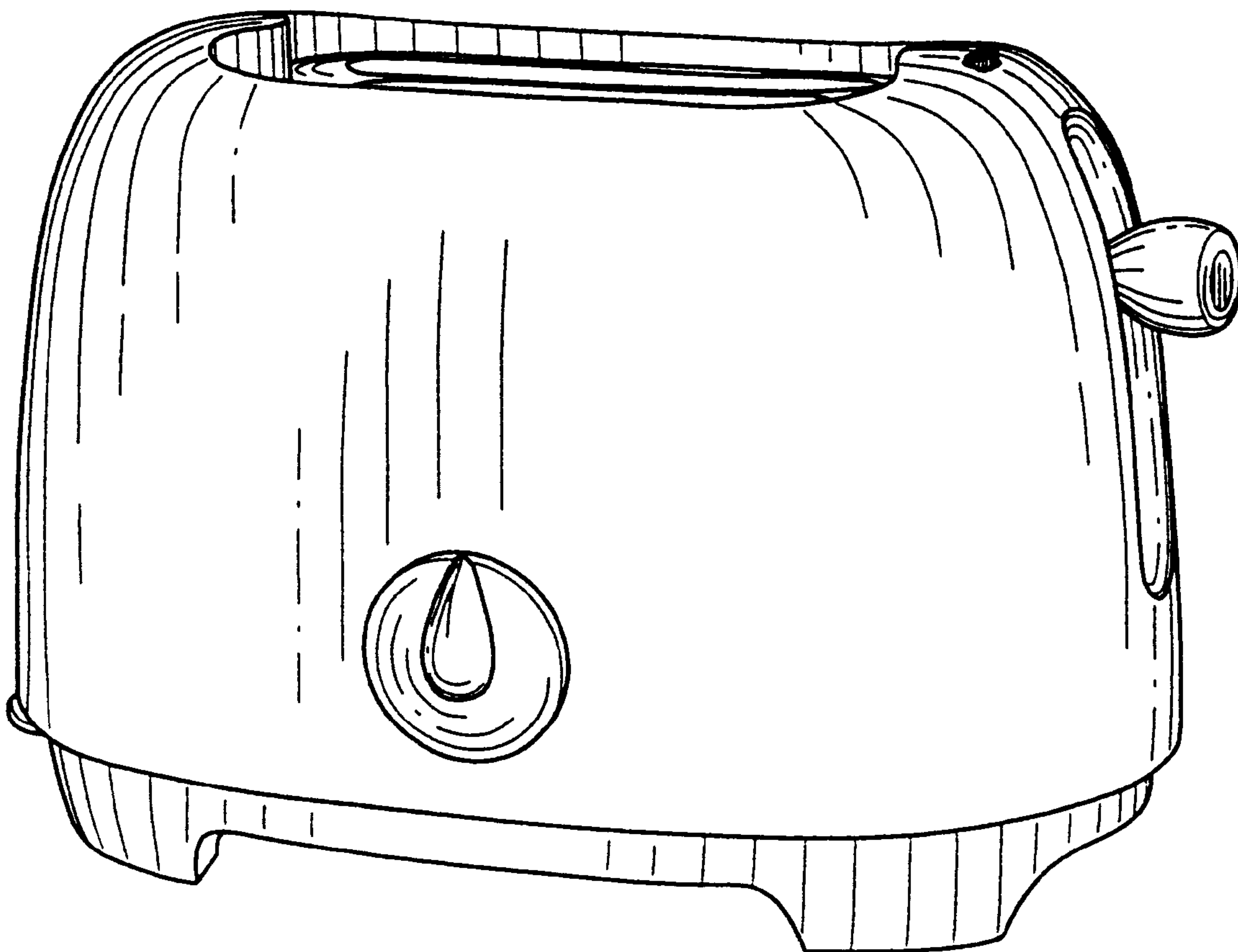
[57] **CLAIM**

The ornamental design for a toaster, as shown.

DESCRIPTION

FIG. 1 is a perspective view showing my design;
FIG. 2 is a front elevational view thereof;
FIG. 3 is a rear elevational view thereof;
FIG. 4 is a right side elevational view thereof;
FIG. 5 is a left side elevational view thereof;
FIG. 6 is a top plan view thereof; and,
FIG. 7 is a bottom plan view thereof.

1 Claim, 4 Drawing Sheets



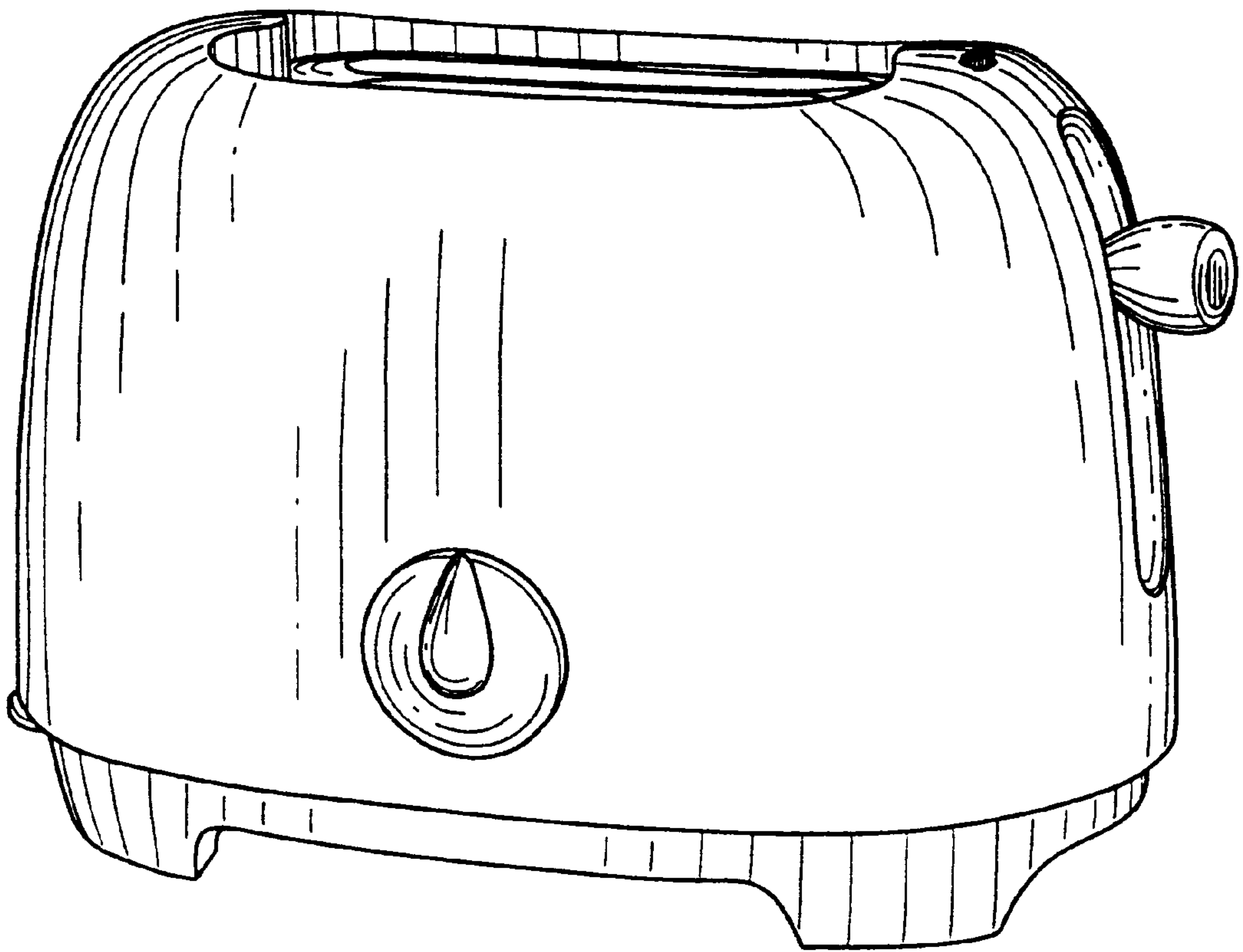


FIG.1

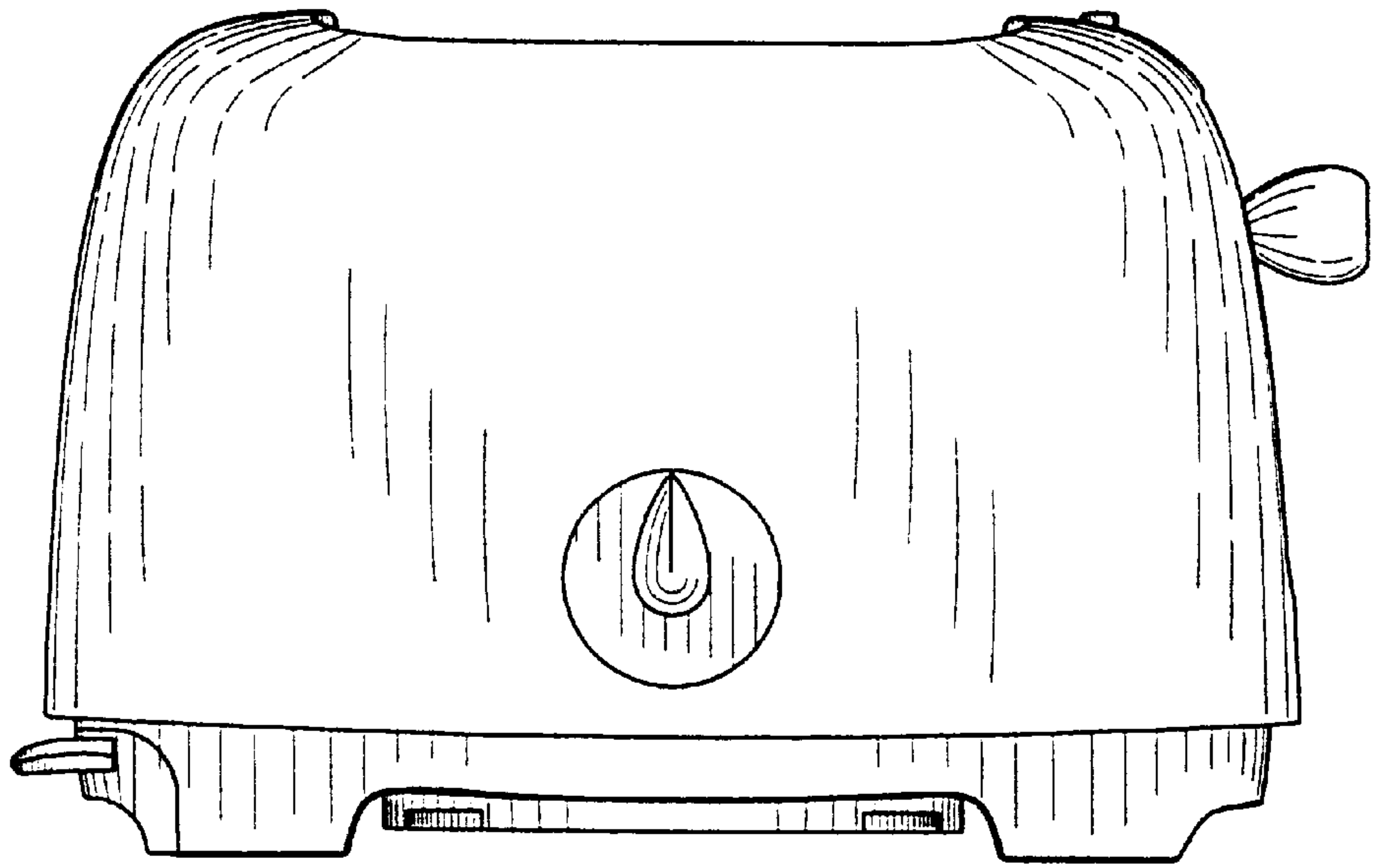


FIG. 2

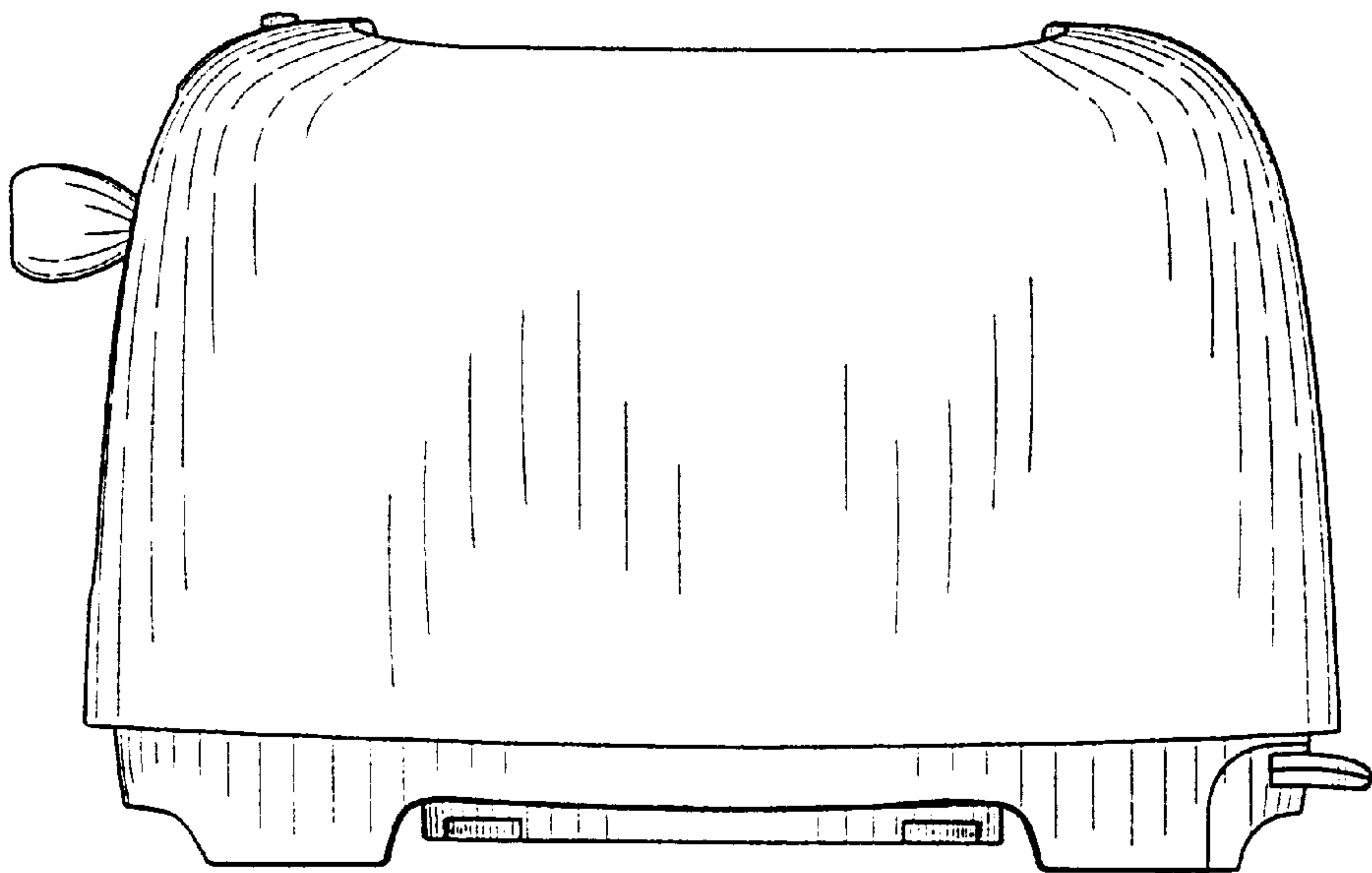


FIG. 3

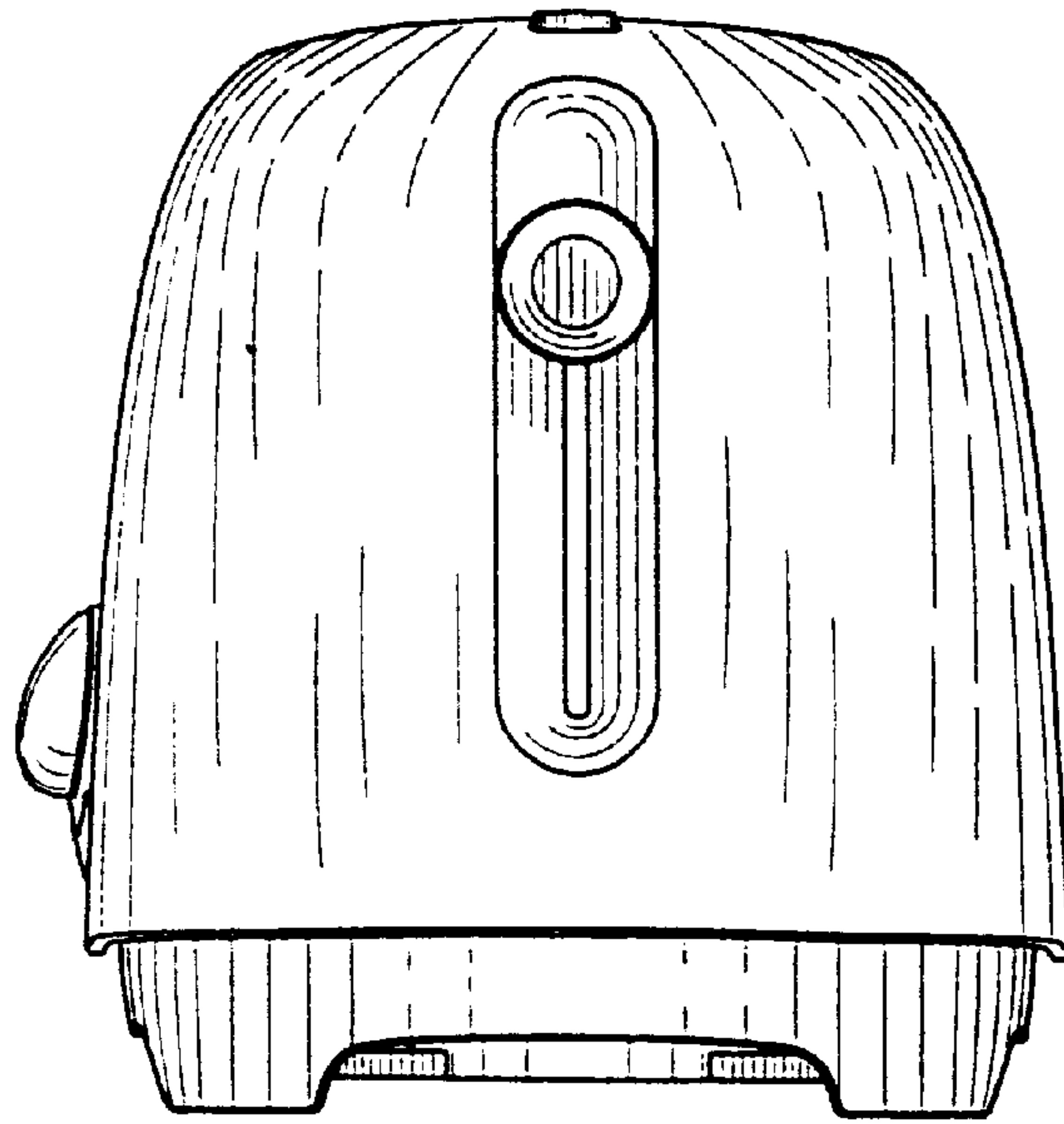


FIG. 4

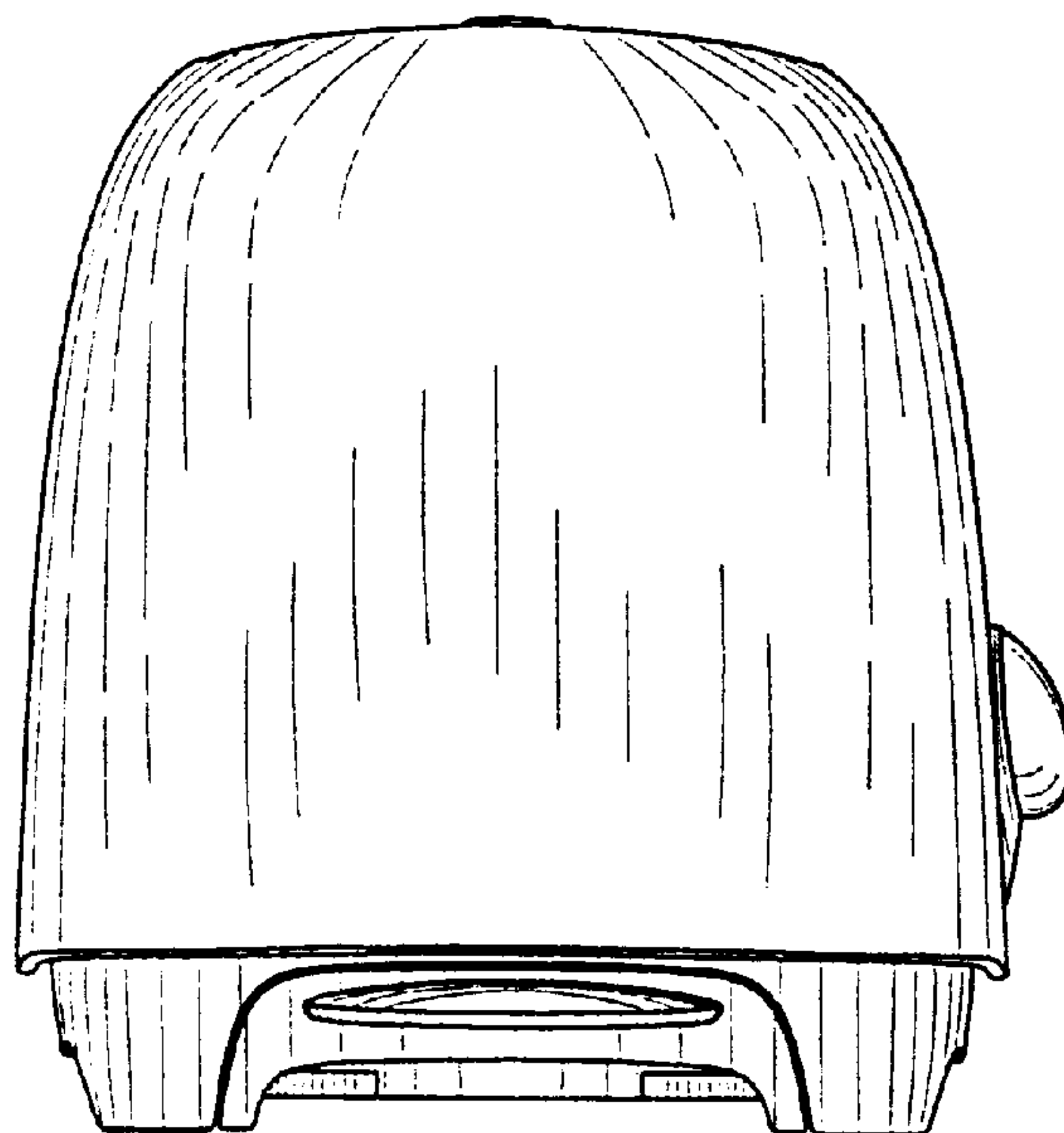


FIG. 5

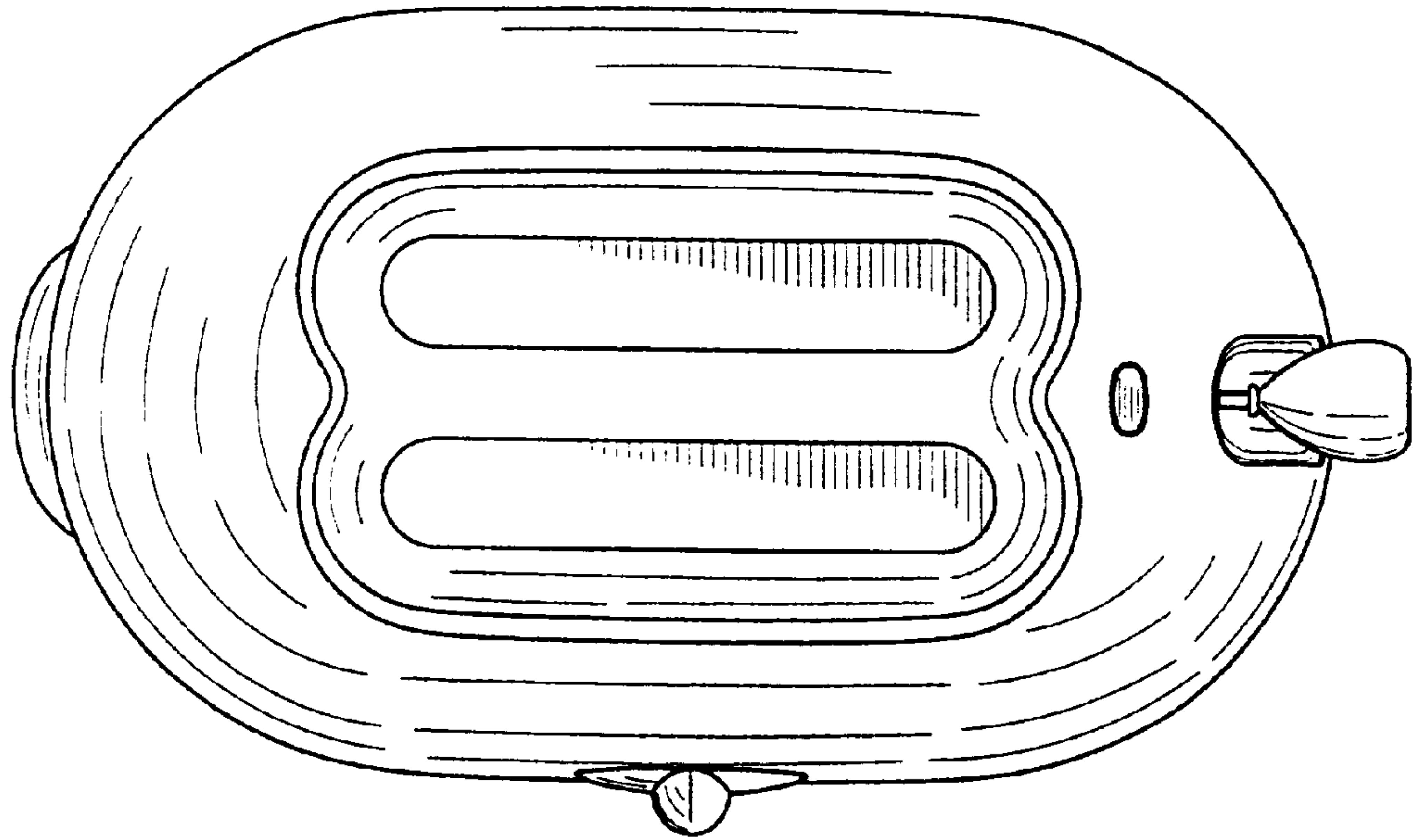


FIG. 6

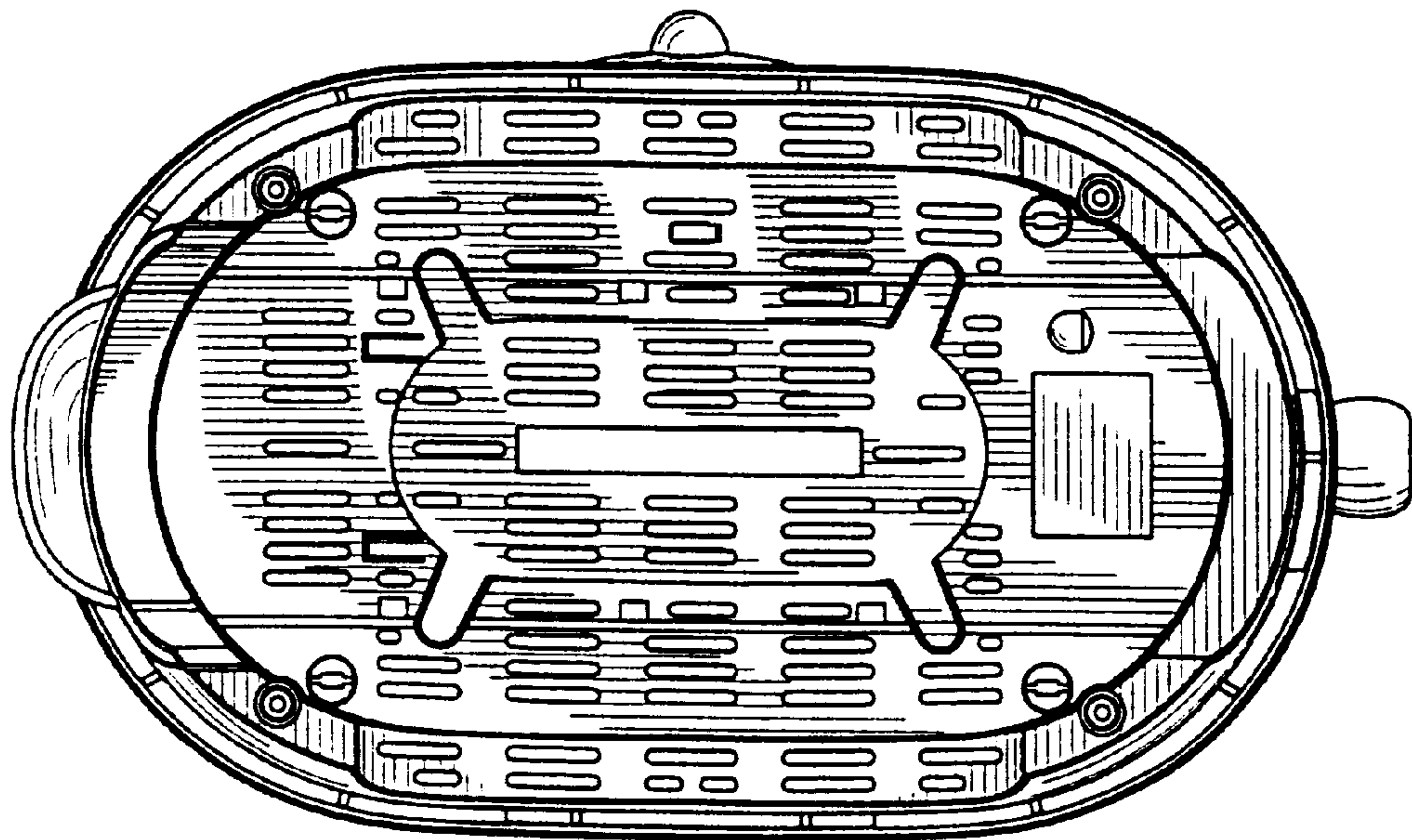


FIG. 7