



US00D424859S

# United States Patent [19] Hamilton

[11] Patent Number: Des. 424,859

[45] Date of Patent: \*\* May 16, 2000

[54] PERSONAL CARE TEXTILE ARTICLE WITH LABEL

[75] Inventor: Robert J. Hamilton, Cornelius, N.C.

[73] Assignee: Pillowtex Corporation, Dallas, Tex.

[\*\*] Term: 14 Years

[21] Appl. No.: 29/097,514

[22] Filed: Dec. 8, 1998

[51] LOC (7) Cl. .... 06-13

[52] U.S. Cl. .... D6/608; D20/22

[58] Field of Search ..... D6/608; D20/10, D20/22-28; 428/41.9; 2/46; 15/210.1, 209.1; 40/299.01, 626, 360, 661.04, 630, 631, 638

### [56] References Cited

#### U.S. PATENT DOCUMENTS

4,266	11/1845	Hyatt .	
220,430	10/1879	Sands .....	40/638
D. 317,995	7/1991	Crowley-McGregor .....	D6/608
D. 335,760	5/1993	Warren et al. ....	D2/314
D. 356,600	3/1995	Hibbs .....	D20/22
D. 364,798	12/1995	Bright et al. ....	D8/394
D. 382,757	8/1997	Vick .....	D6/608
D. 385,742	11/1997	Bird .....	D6/608
D. 396,596	8/1998	Simon .....	D6/608
867,433	10/1907	Smith .	
882,452	3/1908	Brown .	
1,436,365	11/1922	Steinau .	
1,658,263	2/1928	Stanley .....	40/638
1,682,540	8/1928	Schlegelmilch .	
1,755,128	4/1930	Peters .	
1,907,393	5/1933	Tooley .	
1,927,584	9/1933	Fallar .....	40/2
2,096,960	10/1937	Colby .....	40/4
2,121,865	6/1938	Flood .....	281/5
2,246,984	6/1941	Palmer .....	40/2
2,490,496	12/1949	Williamson .....	40/2
2,531,631	11/1950	Jordan .....	40/2
2,739,399	3/1956	Henson .....	40/2
2,752,703	7/1956	Halperin .....	40/2
2,756,525	7/1956	Greenberger .....	40/20
2,845,728	8/1958	Huber .....	40/2

3,350,799	11/1967	Japs .....	40/2
3,395,470	8/1968	Voice .....	40/2
3,442,037	5/1969	Grimm et al. ....	40/299.01
3,537,194	11/1970	Engle .....	40/2
3,885,334	5/1975	Banks .....	40/2 R
3,925,585	12/1975	Aoyagi .....	428/42
3,963,124	6/1976	Banks .....	206/527
4,584,238	4/1986	Gen et al. ....	428/349
4,650,219	3/1987	Sigman .....	283/70
5,326,610	7/1994	Moss .....	15/208 X
5,343,648	9/1994	Bracken .....	40/638
5,639,532	6/1997	Wells .....	15/208 X
5,704,144	1/1998	Groth .....	40/638 X

### OTHER PUBLICATIONS

*Modern Plastics*, vol. 28, Issue 3, p. 34, Nov. 1950.  
"Shape B" label, Every Ready Label Catalog, p. 17, 1981.  
White Multipurpose Self-Adhesive Labels, Miller's Office Products, p. 637, Jan. 4, 1995.

*Primary Examiner*—Susan J. Lucas  
*Assistant Examiner*—Jennifer Rivard  
*Attorney, Agent, or Firm*—Baker & Botts, L.L.P.

### [57] CLAIM

The ornamental design for a personal care textile article with label, as shown and described.

### DESCRIPTION

FIG. 1 is a top perspective view of a personal care textile article with a label shown in folded state;  
FIG. 2 is a top plan view thereof;  
FIG. 3 is a front, elevational view thereof;  
FIG. 4 is a rear, elevational view thereof;  
FIG. 5 is a right side elevational view thereof;  
FIG. 6 is a left side elevational view thereof;  
FIG. 7 is a top perspective view of a personal care textile article with label shown in an unfolded state.  
FIG. 8 is a top plan view thereof;  
FIG. 9 is a right side elevational view thereof;  
FIG. 10 is a left side elevational view thereof; and,  
FIG. 11 is a top perspective view of a personal care textile article with label shown in an alternate folded state.  
The broken lines shown for illustrative purposes only and form no part of the claimed design.

1 Claim, 2 Drawing Sheets

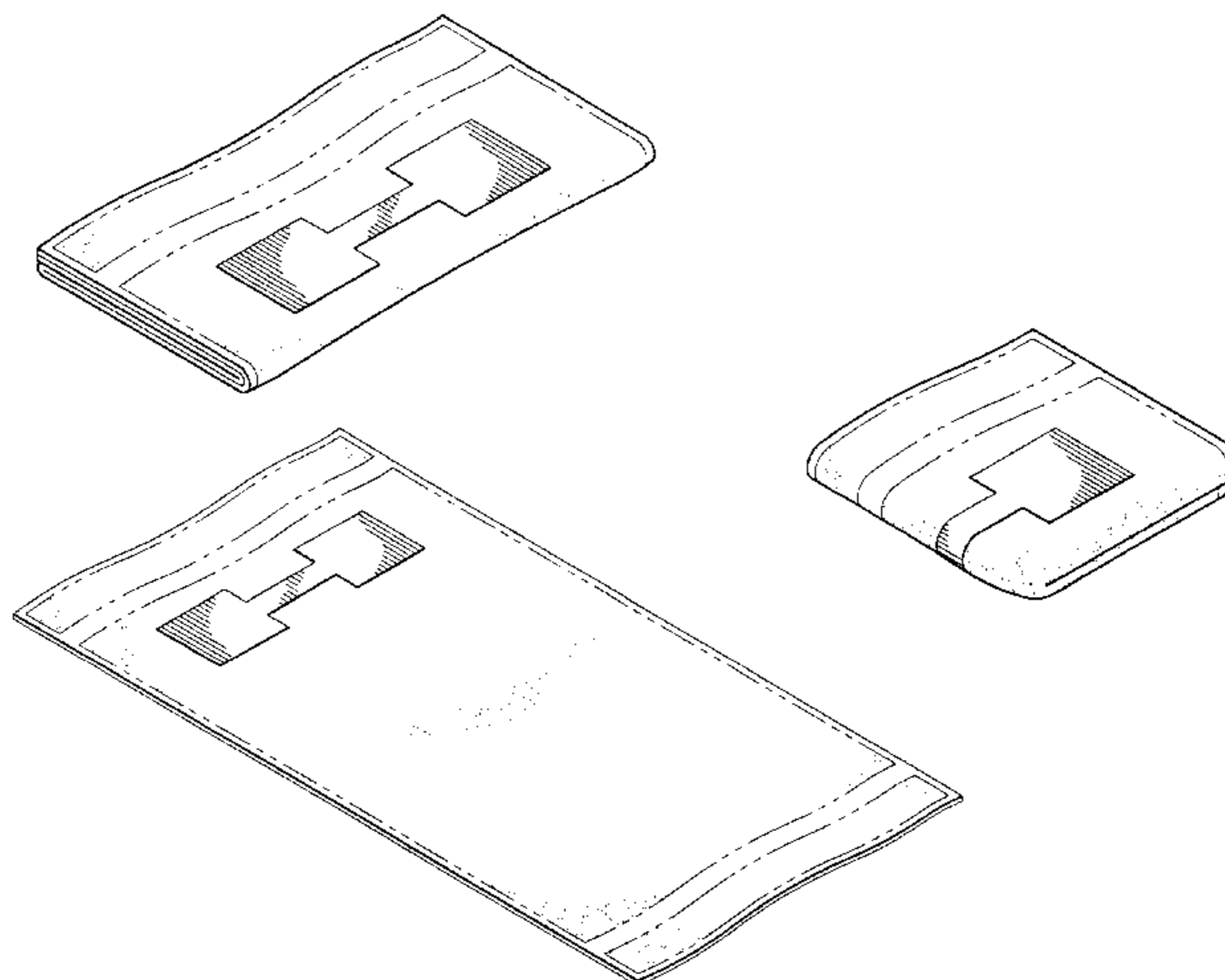


FIG. 1

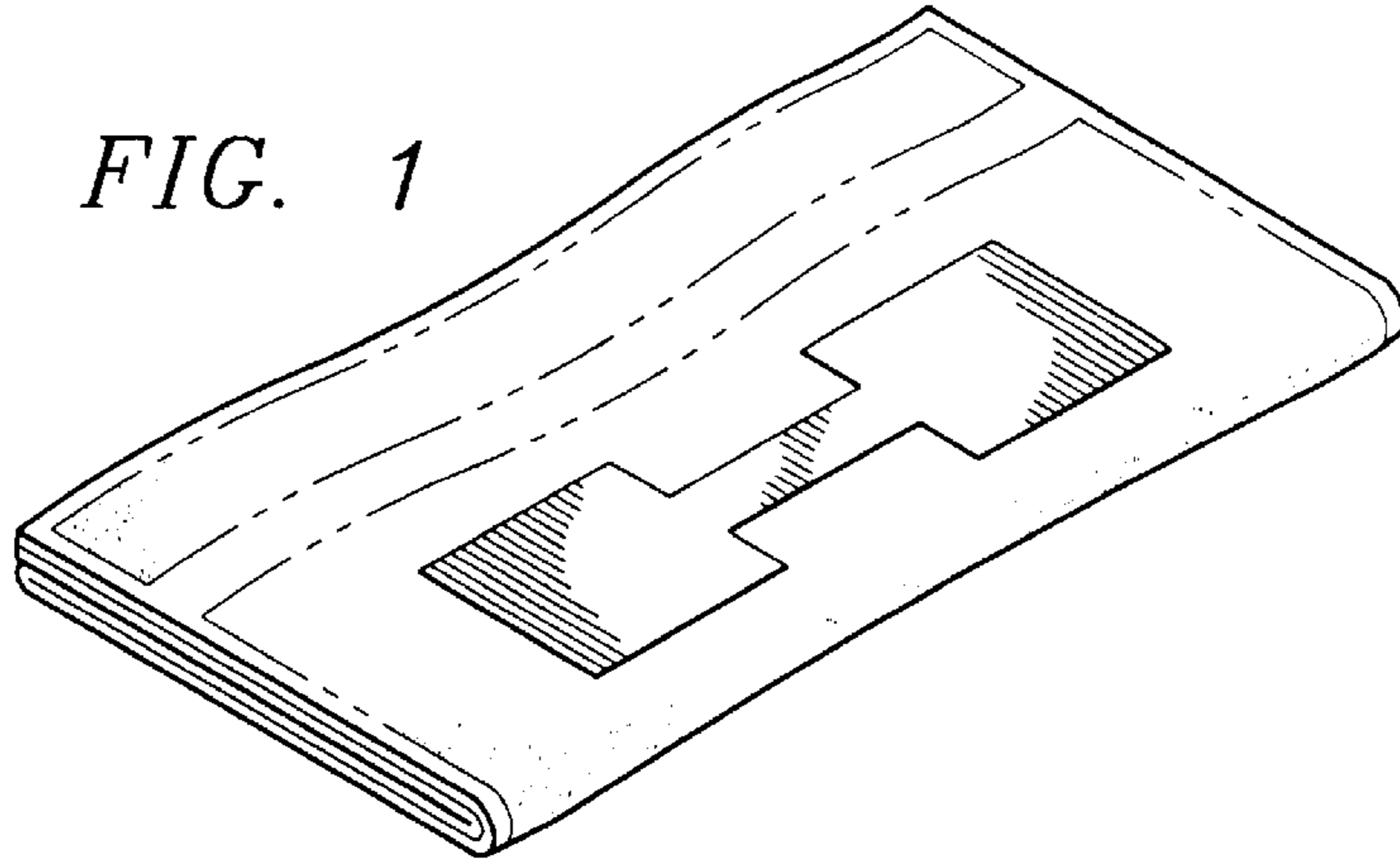


FIG. 2

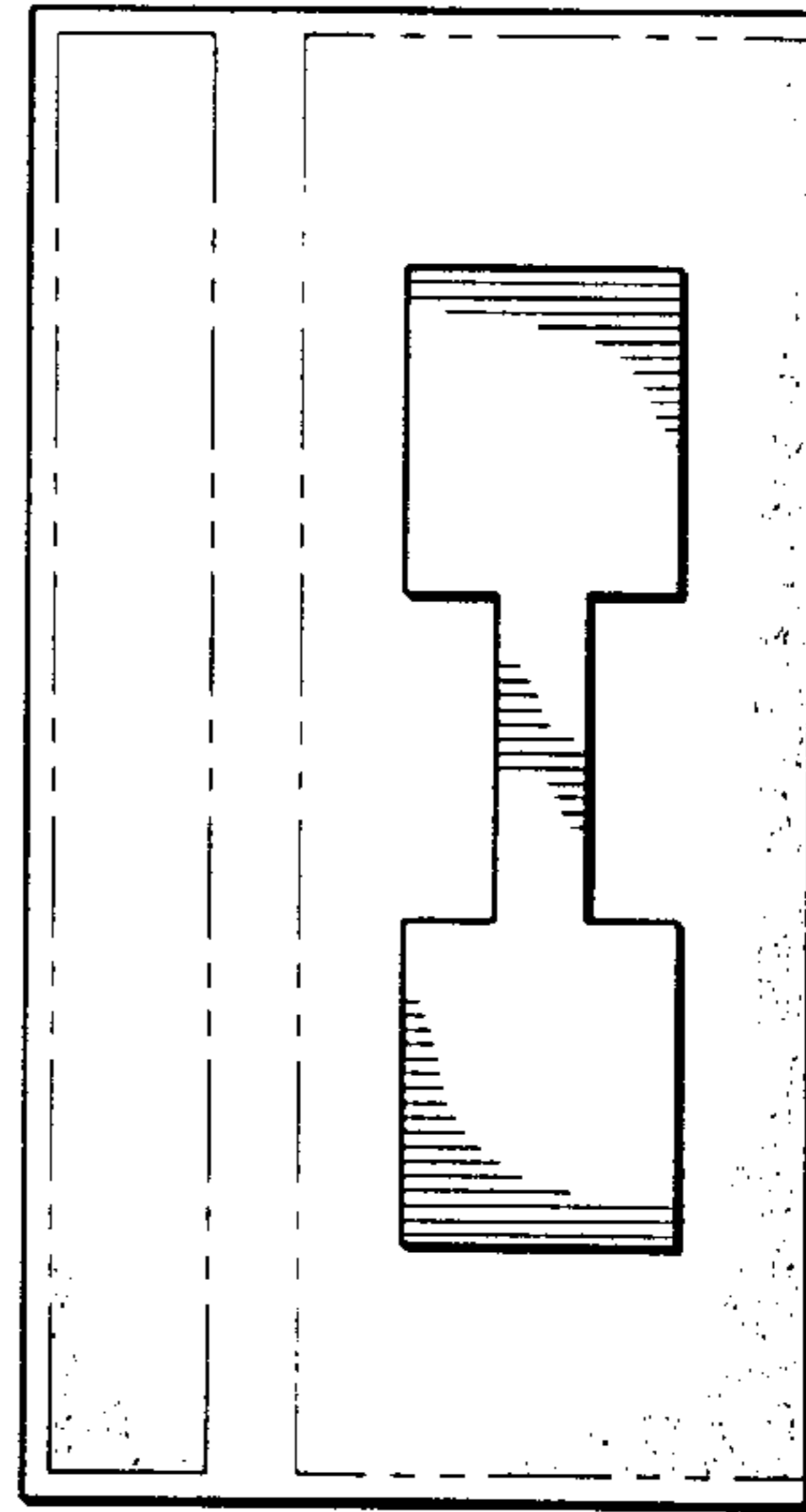


FIG. 3

FIG. 4

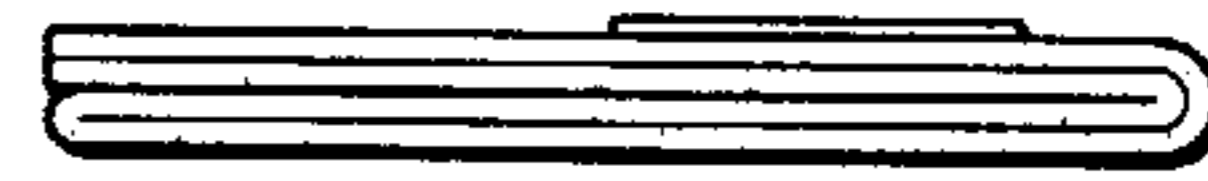


FIG. 5

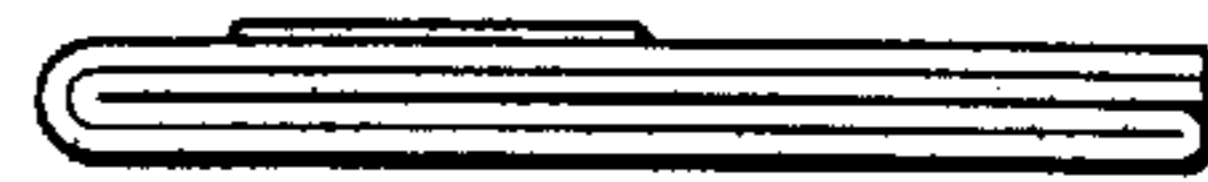


FIG. 6

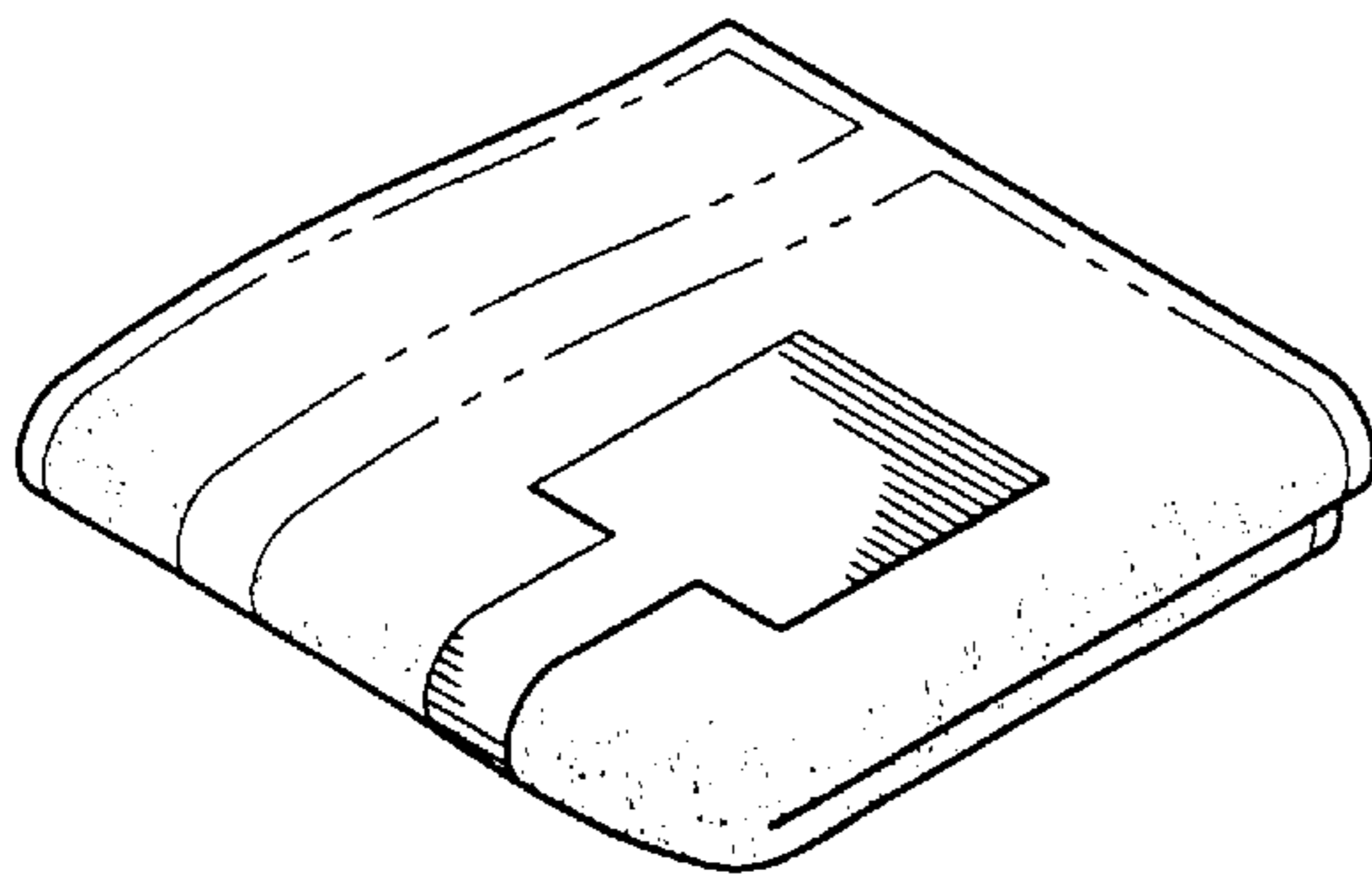


FIG. 11

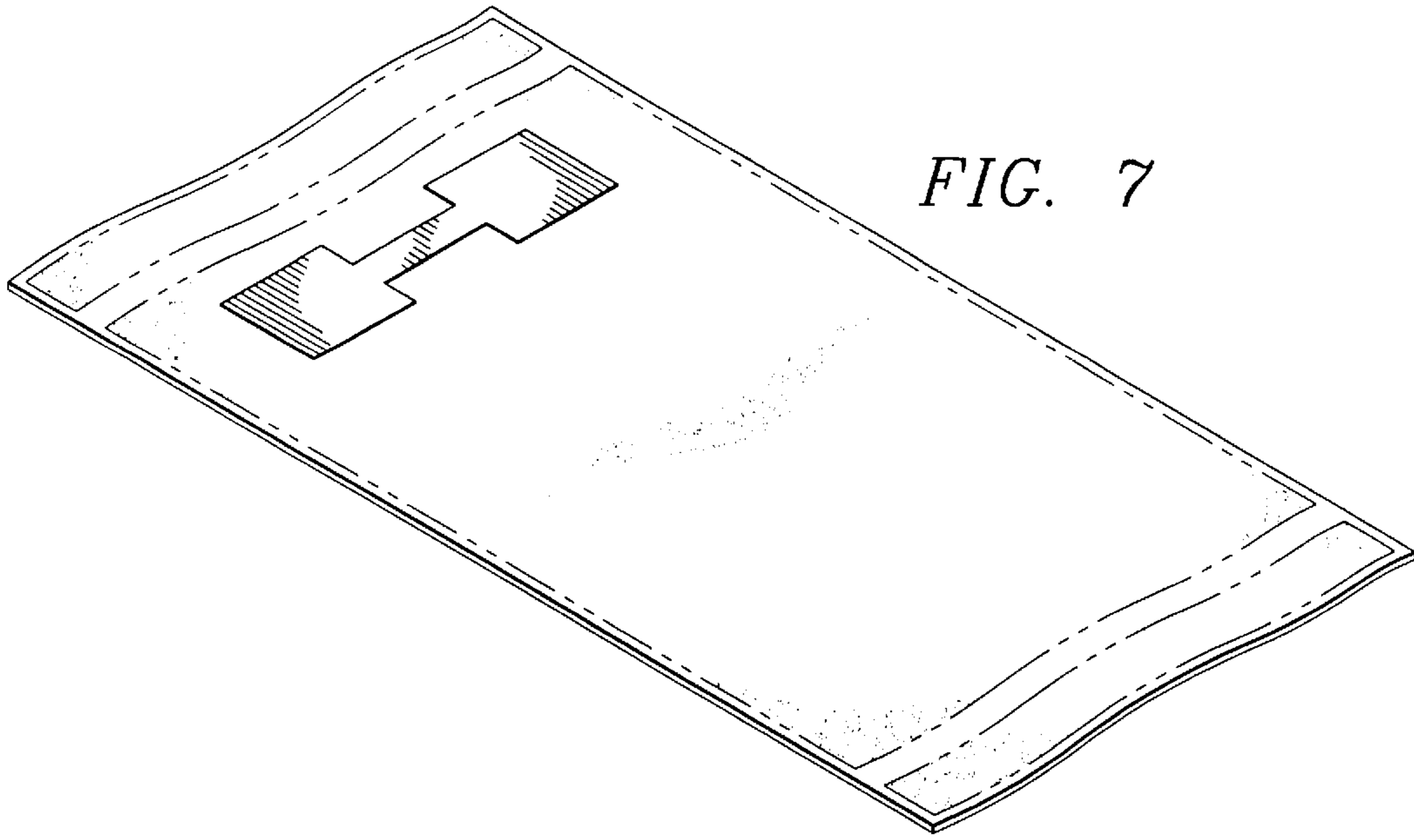


FIG. 7

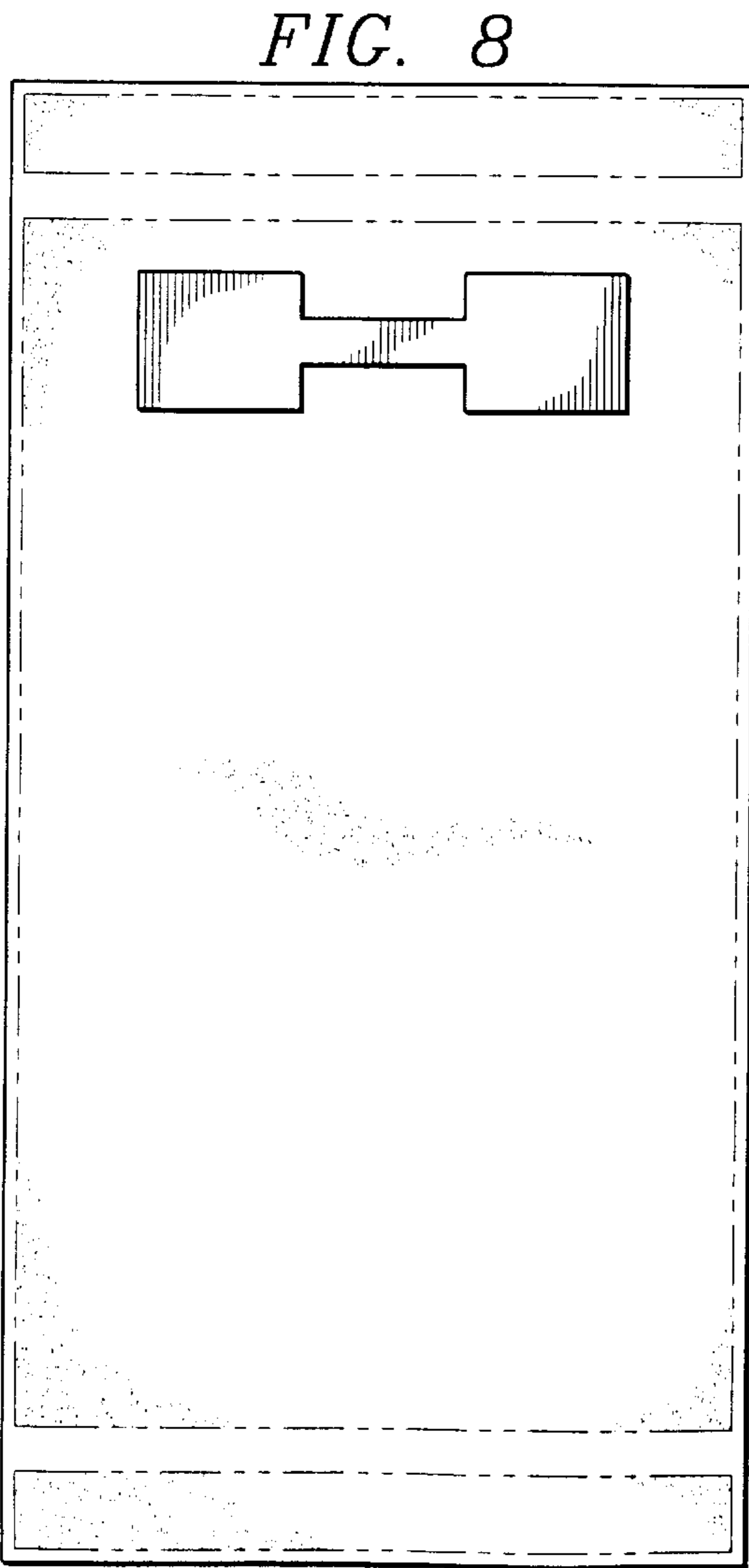


FIG. 8

FIG. 9 FIG. 10

