



US00D424855S

**United States Patent** [19]  
**Murphy**

[11] **Patent Number: Des. 424,855**

[45] **Date of Patent: \*\* May 16, 2000**

[54] **COMBINED TOOTHBRUSH HOLDER AND  
TIMER**

[76] Inventor: **Billy Murphy**, 20 A Washington Street  
#8, Cork City, Ireland

[\*\*] Term: **14 Years**

[21] Appl. No.: **29/107,545**

[22] Filed: **Jul. 8, 1999**

[51] **LOC (7) Cl.** ..... **23-02**

[52] **U.S. Cl.** ..... **D6/528**

[58] **Field of Search** ..... D6/527, 528, 534;  
D10/40; 211/13.1, 60.1, 65, 66, 70.6; 206/209,  
209.1

[56] **References Cited**

**U.S. PATENT DOCUMENTS**

D. 361,685 8/1995 Choi ..... D6/527 X  
2,926,487 3/1960 Stone ..... 206/209.1 X

*Primary Examiner*—Brian N. Vinson

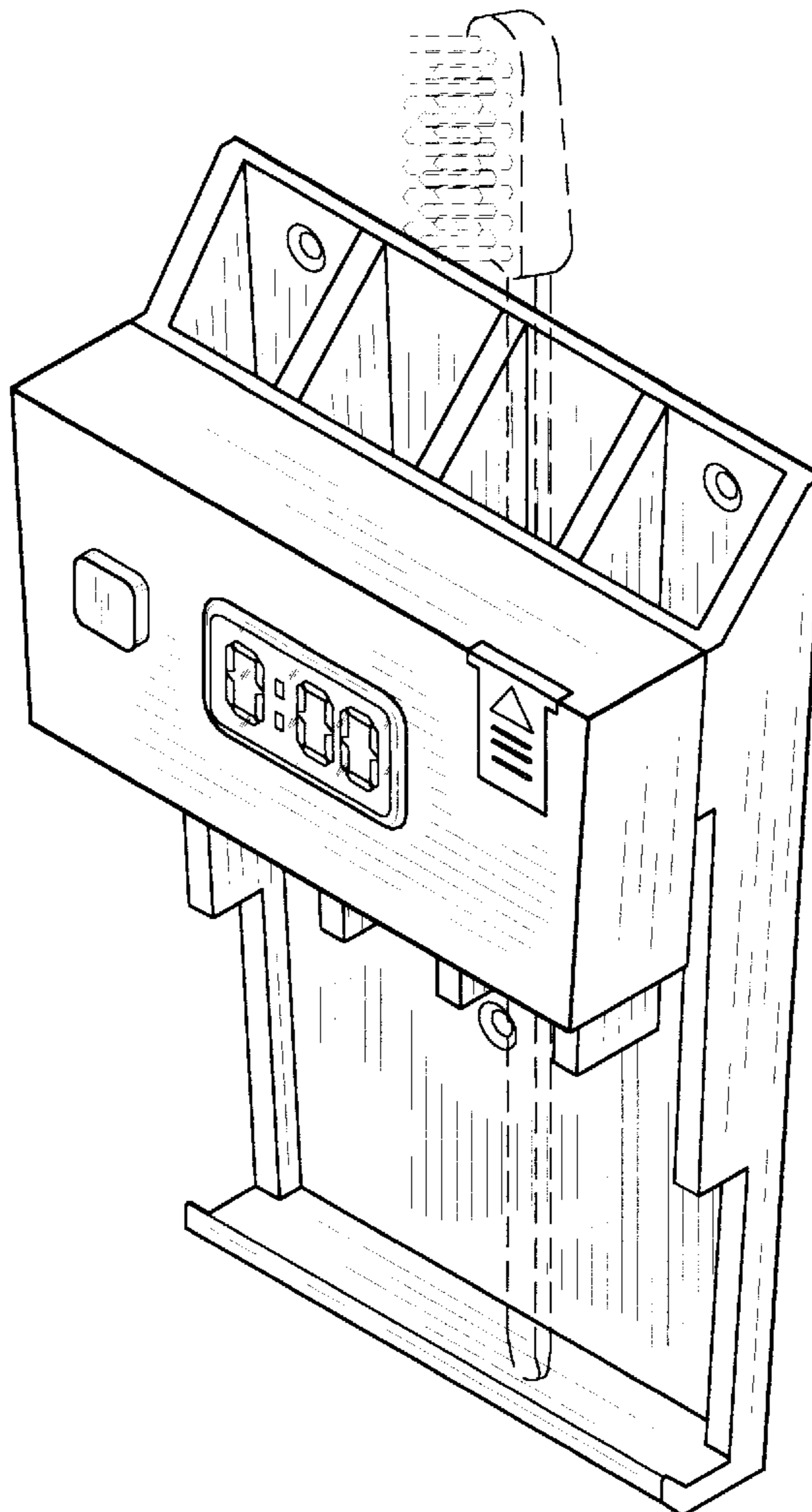
[57] **CLAIM**

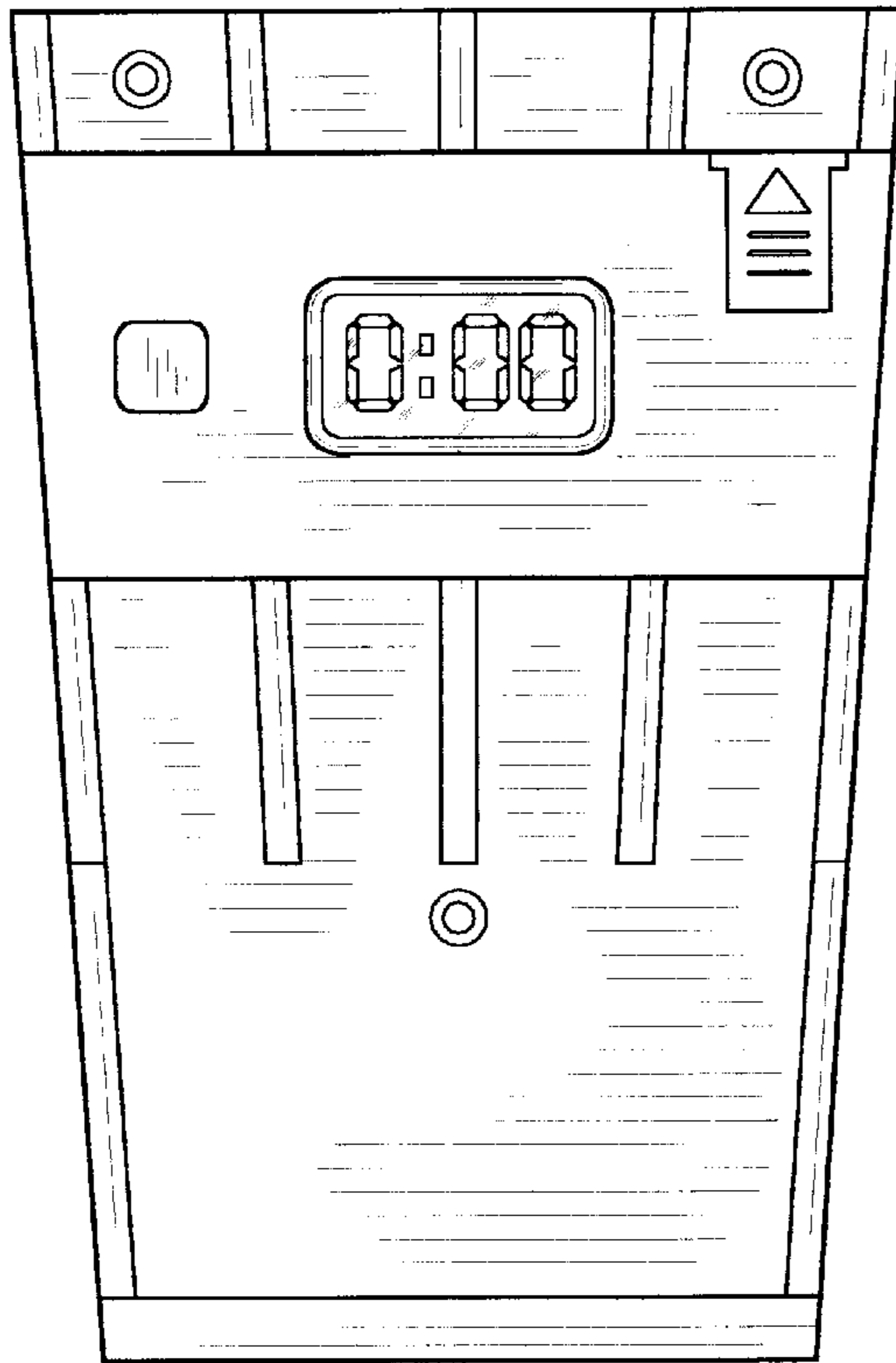
The ornamental design for a combined toothbrush holder and timer, as shown and described.

**DESCRIPTION**

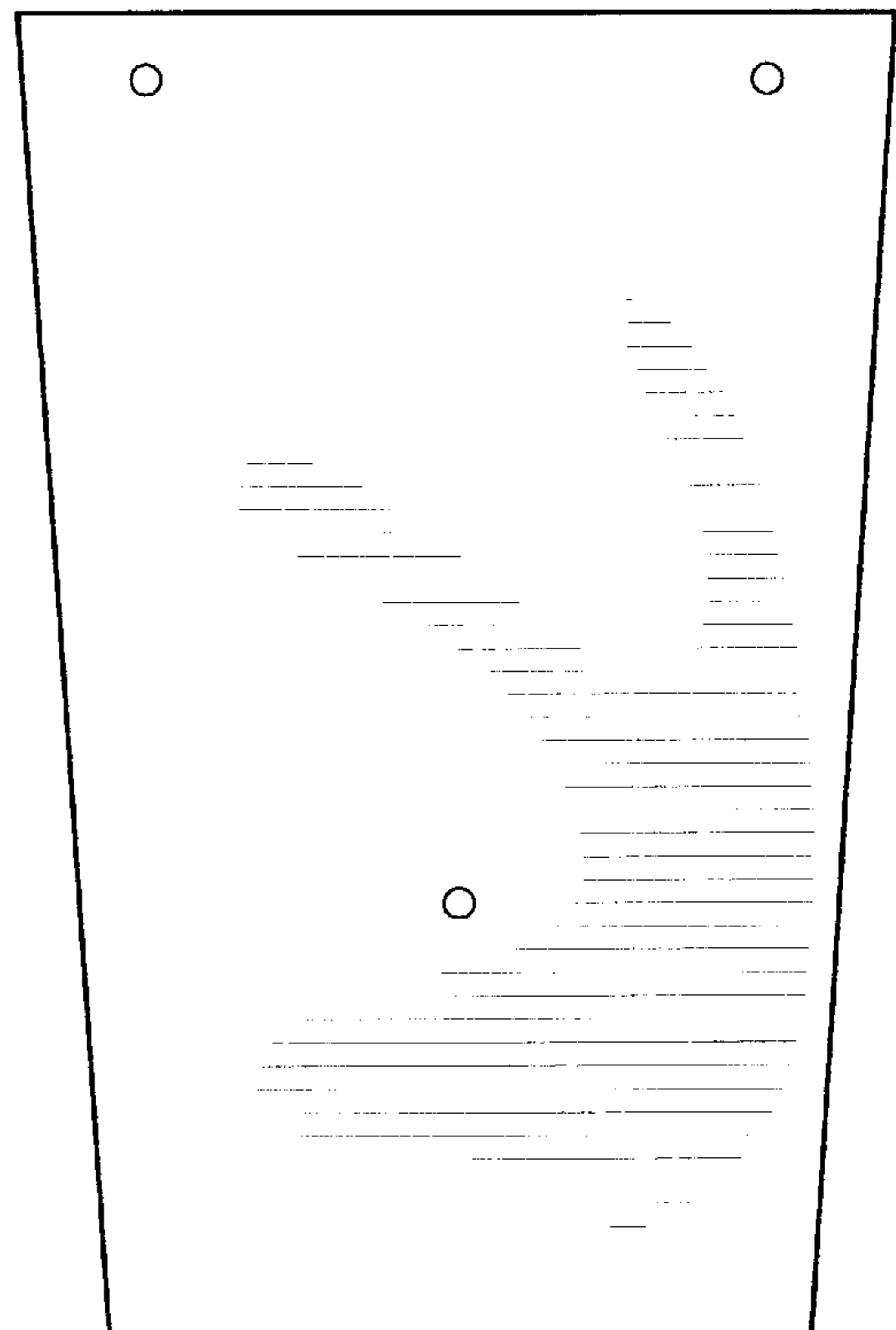
FIG. 1 is a front elevational view of the combined toothbrush holder and timer of the present invention; FIG. 2 is a rear elevational view of the combined toothbrush holder and timer of FIG. 1; FIG. 3 is a left side elevational view of the combined toothbrush holder and timer of FIG. 1; FIG. 4 is a right side elevational view of the combined toothbrush holder and timer of FIG. 1; FIG. 5 is a top plan view of the combined toothbrush holder and timer of FIG. 1; FIG. 6 is a bottom plan view of the combined toothbrush holder and timer of FIG. 1; and, FIG. 7 is a top, front, right side perspective view of the combined toothbrush holder and timer of FIG. 1. The broken lines showing of a toothbrush in FIG. 7 are for illustrative purposes only and form no part of the claimed design.

**1 Claim, 3 Drawing Sheets**

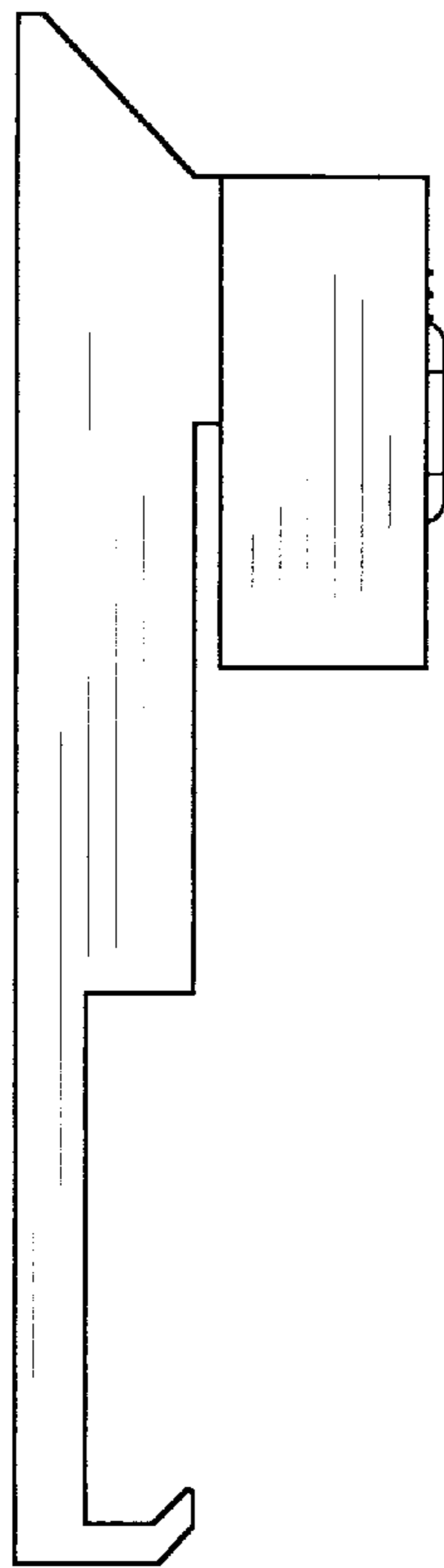




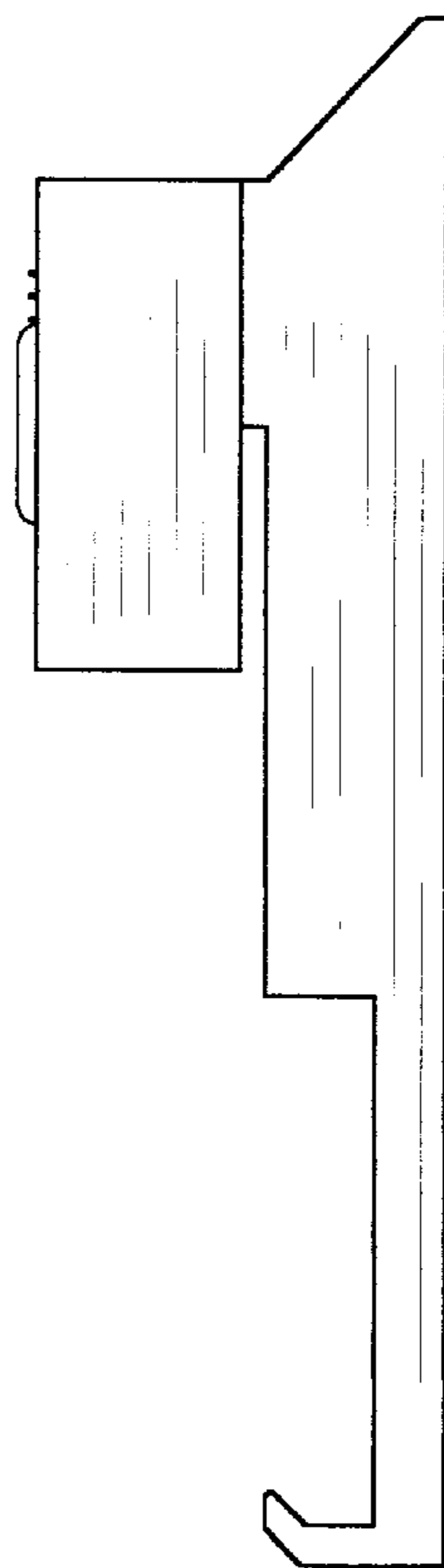
*Fig. 1*



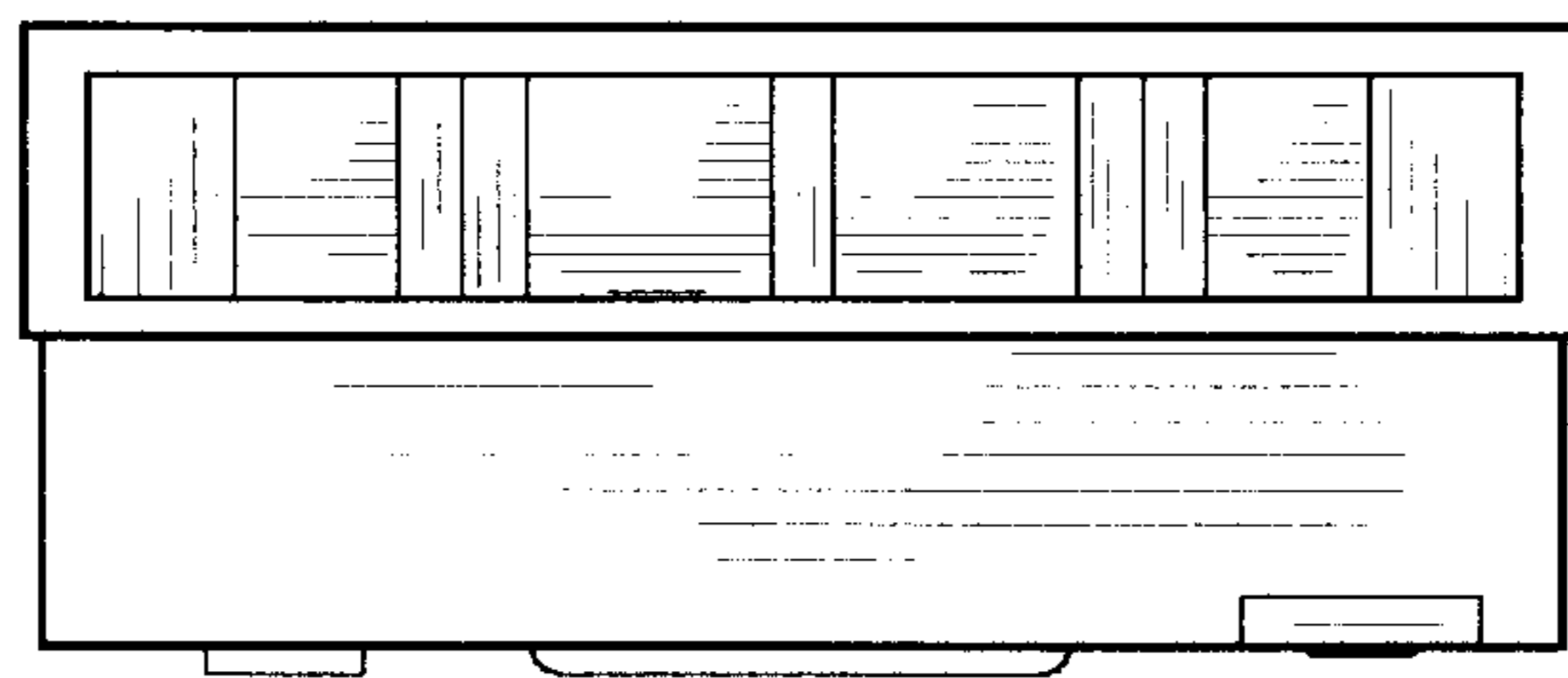
*Fig. 2*



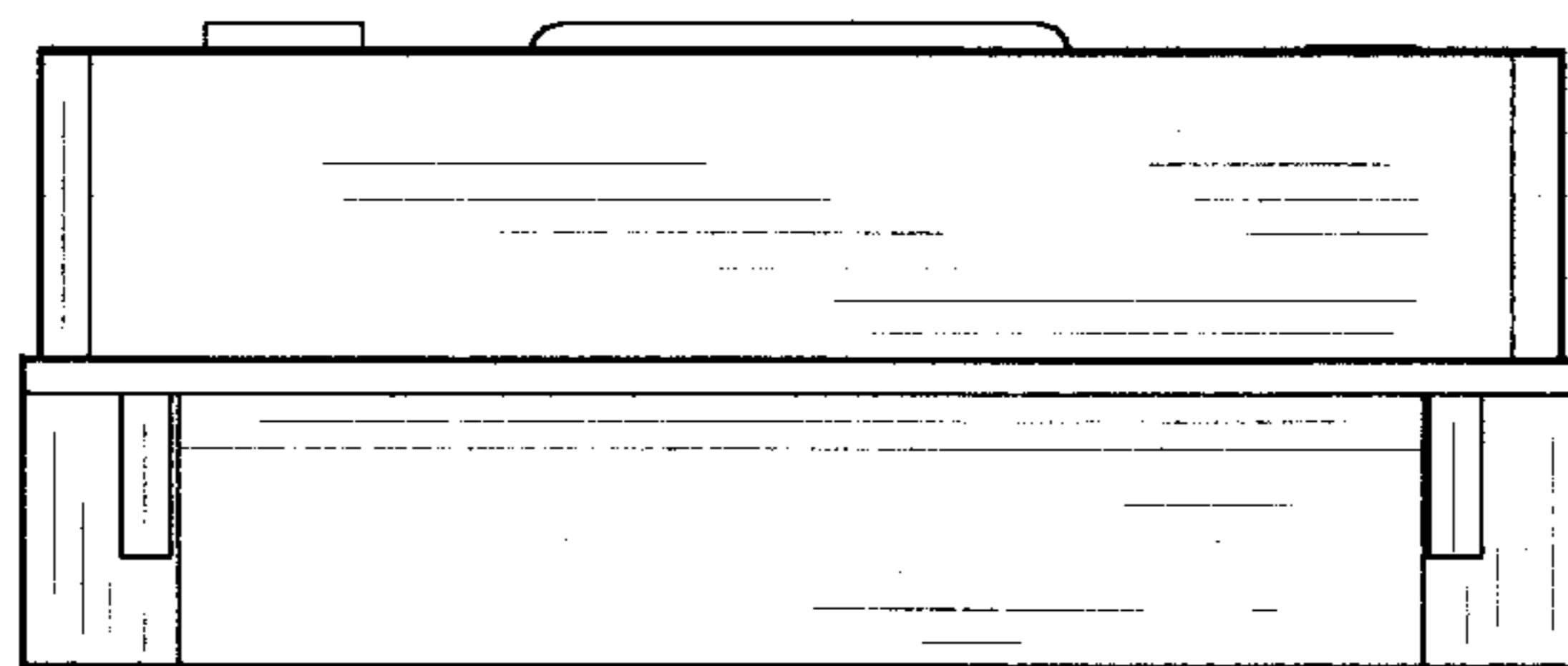
*Fig. 3*



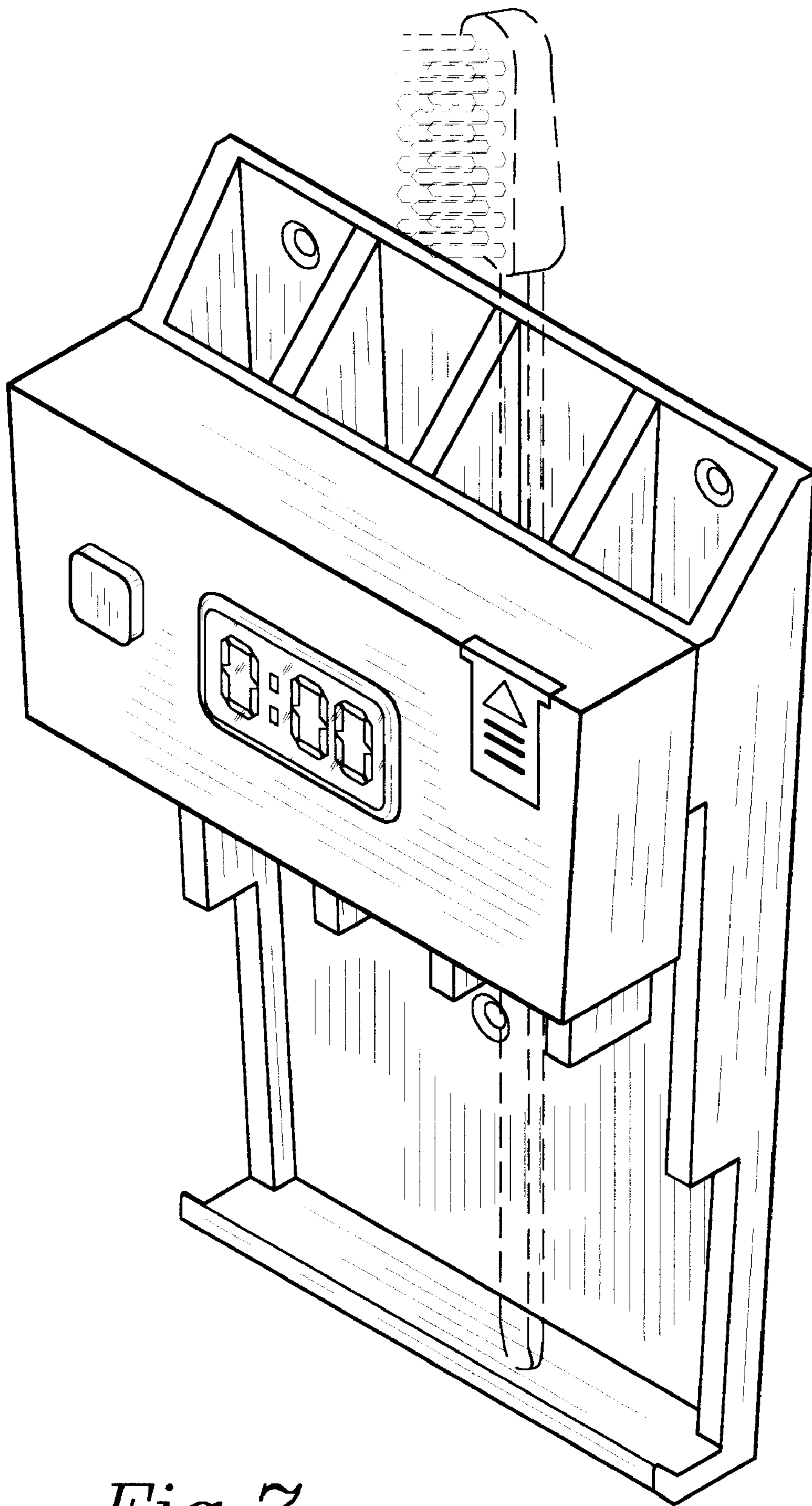
*Fig. 4*



*Fig. 5*



*Fig. 6*



*Fig. 7*