



US00D424853S

United States Patent [19]
Singletary et al.

[11] **Patent Number: Des. 424,853**
[45] **Date of Patent: ** May 16, 2000**

[54] **TOWEL DISPENSER**
[75] Inventors: **Jennifer Leigh Singletary,**
Lawrenceville; **Ricky Wayne Purcell,**
Alpharetta, both of Ga.
[73] Assignee: **Kimberly-Clark Worldwide, Inc.,**
Neenah, Wis.
[**] Term: **14 Years**
[21] Appl. No.: **29/108,373**
[22] Filed: **Jul. 26, 1999**
[51] **LOC (7) Cl. 07-07**
[52] **U.S. Cl. D6/522**
[58] **Field of Search D6/518, 522, 523;**
242/570, 590; 312/34.8, 34.22, 34.1

D. 348,579 7/1994 Brandenburg 6/523
D. 349,827 8/1994 Brandenburg 6/545
D. 351,520 10/1994 Frazier et al. 6/523
D. 354,871 1/1995 Frazier et al. 6/522
D. 359,868 7/1995 Brandenburg et al. 6/545
D. 360,092 7/1995 Frazier et al. 6/518
D. 365,713 1/1996 Chen 6/522
D. 398,797 9/1998 Brandenburg et al. D6/522
D. 403,905 1/1999 Tramontina D6/522
5,261,557 11/1993 Bytell et al. 220/662

Primary Examiner—Brian N. Vinson
Attorney, Agent, or Firm—Steven D. Flack

[57] **CLAIM**

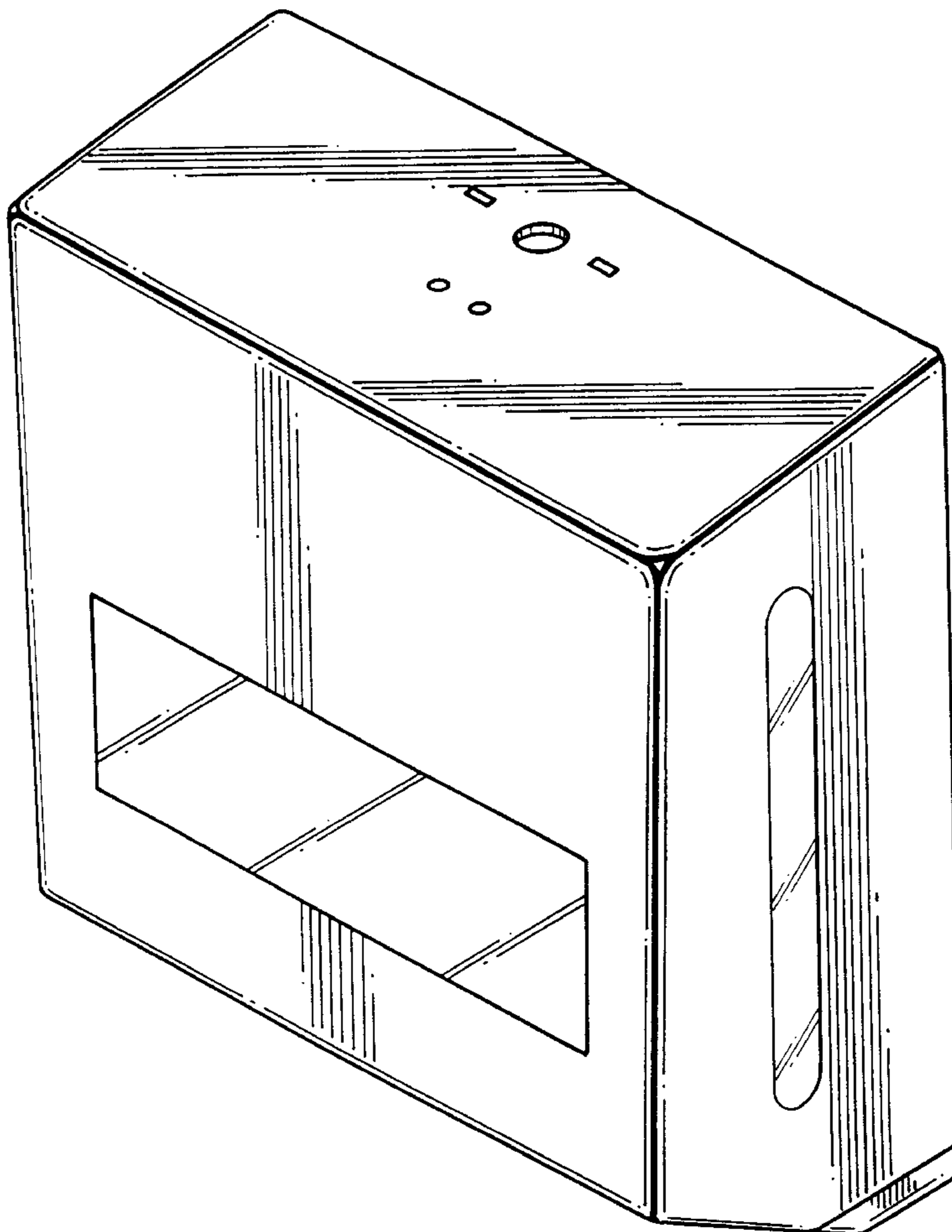
We claim the ornamental design for a towel dispenser, as shown and described.

DESCRIPTION

FIG. 1 is a side perspective view of the towel dispenser.
FIG. 2 is a front side view of the towel dispenser.
FIG. 3 is a left side view of the towel dispenser.
FIG. 4 is a right side view of the towel dispenser.
FIG. 5 is a back side view of the towel dispenser.
FIG. 6 is a top side view of the towel dispenser; and,
FIG. 7 is a bottom side view of the towel dispenser.

[56] **References Cited**
U.S. PATENT DOCUMENTS
D. 316,788 5/1991 Fischer et al. 6/522
D. 341,970 12/1993 Brandenburg 6/522
D. 342,407 12/1993 Morand 6/522
D. 345,664 4/1994 Brandenburg 6/545
D. 346,518 5/1994 Brandenburg 6/518

1 Claim, 6 Drawing Sheets



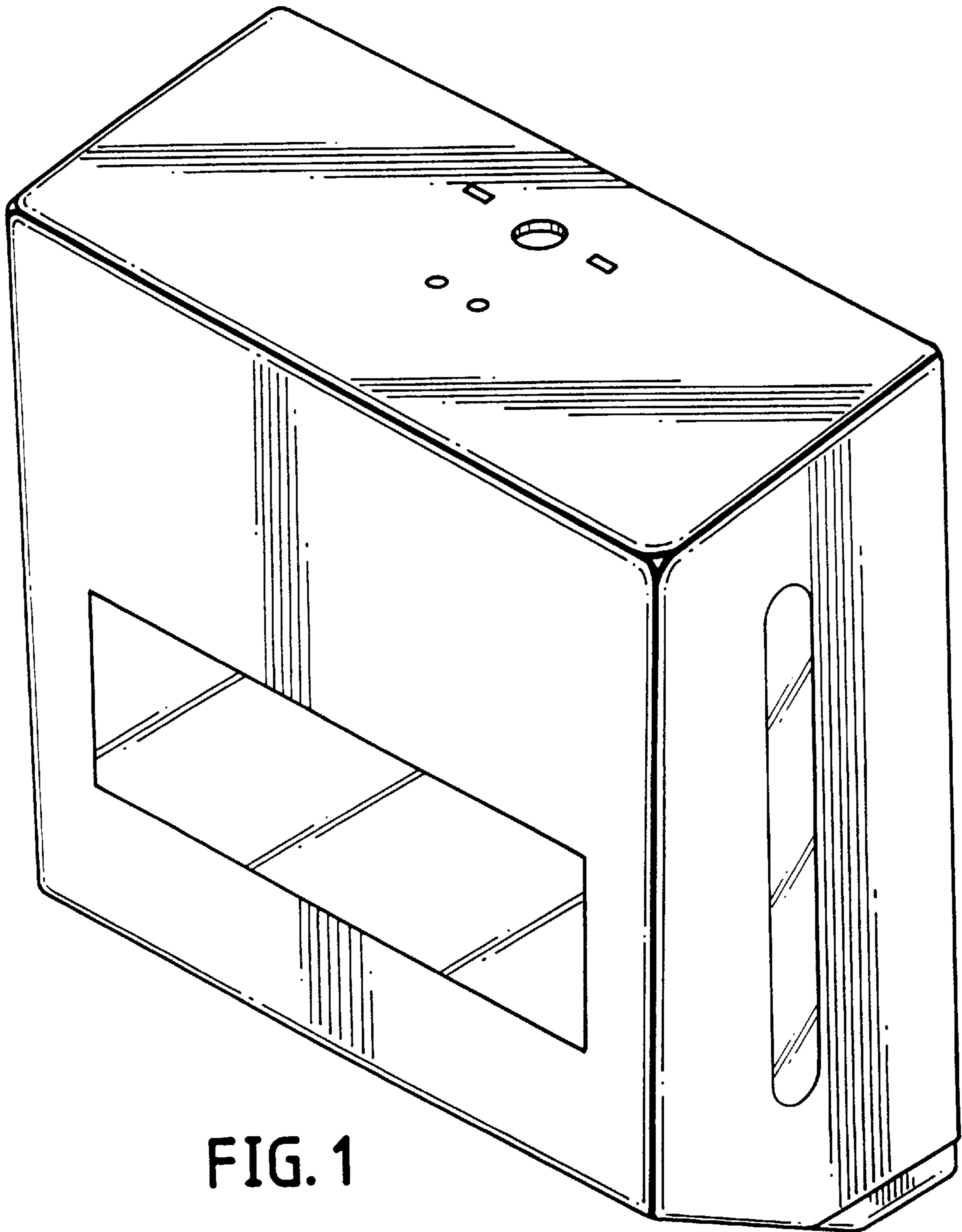


FIG. 1

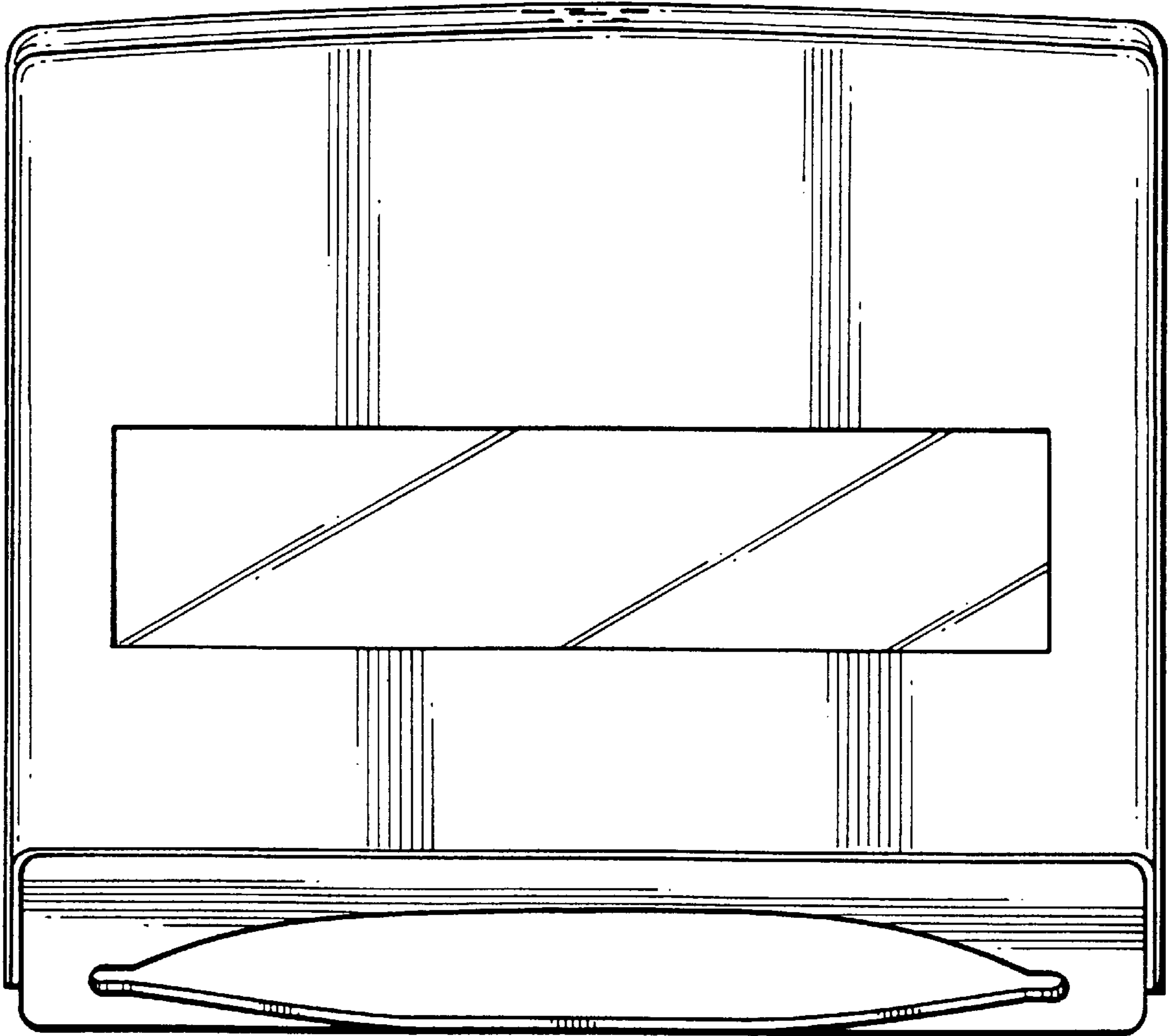


FIG. 2

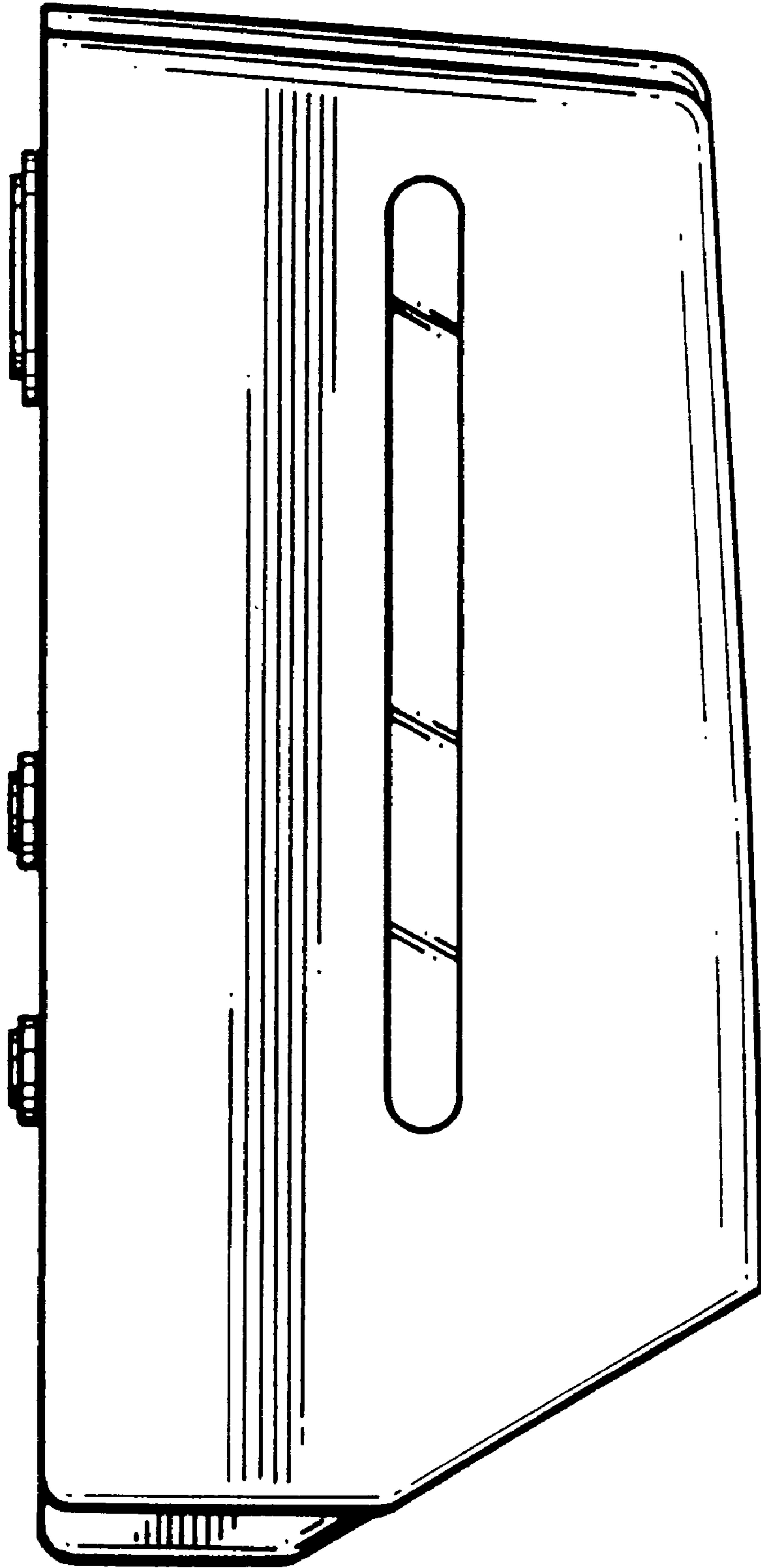


FIG. 3

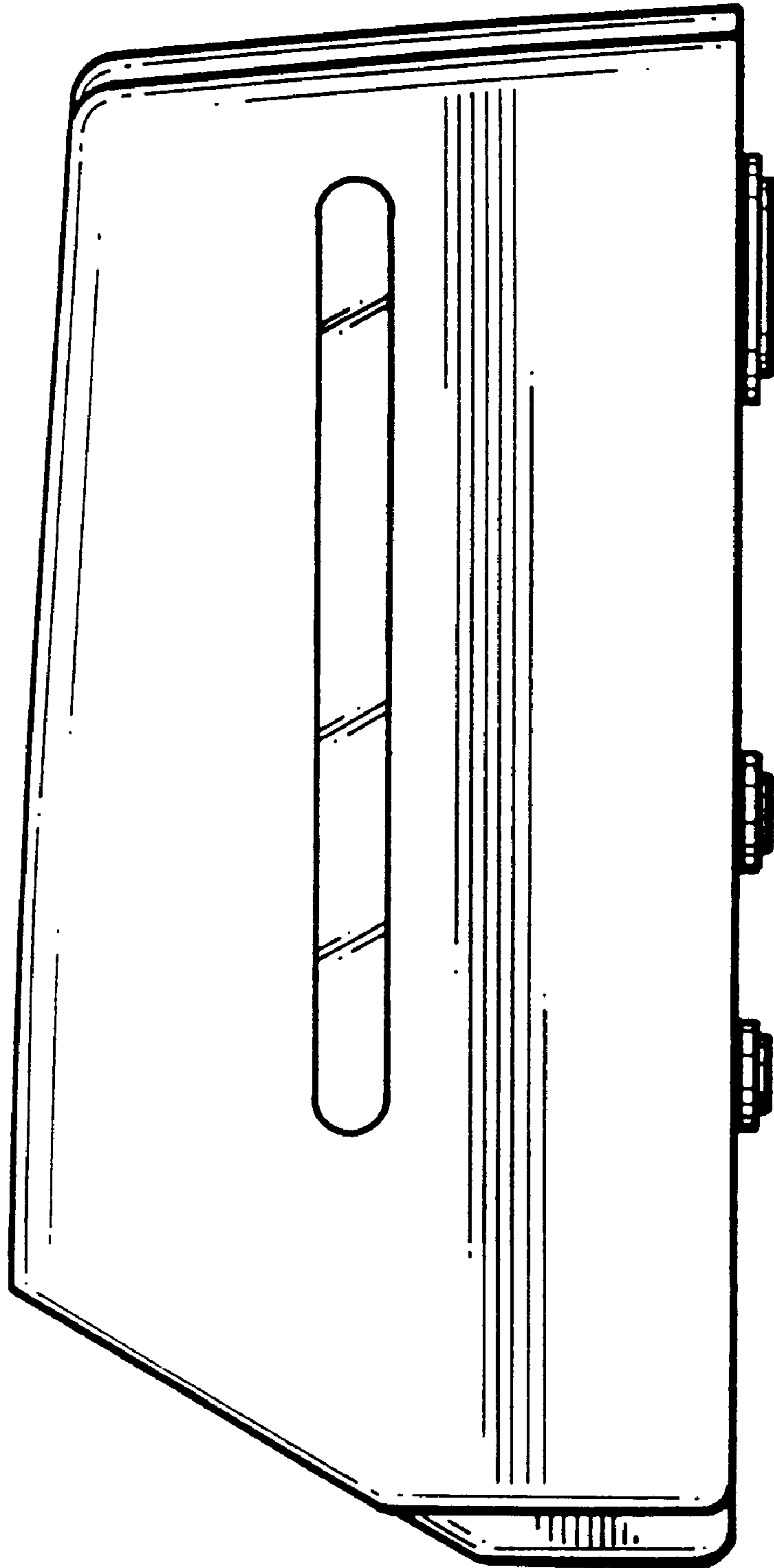


FIG. 4

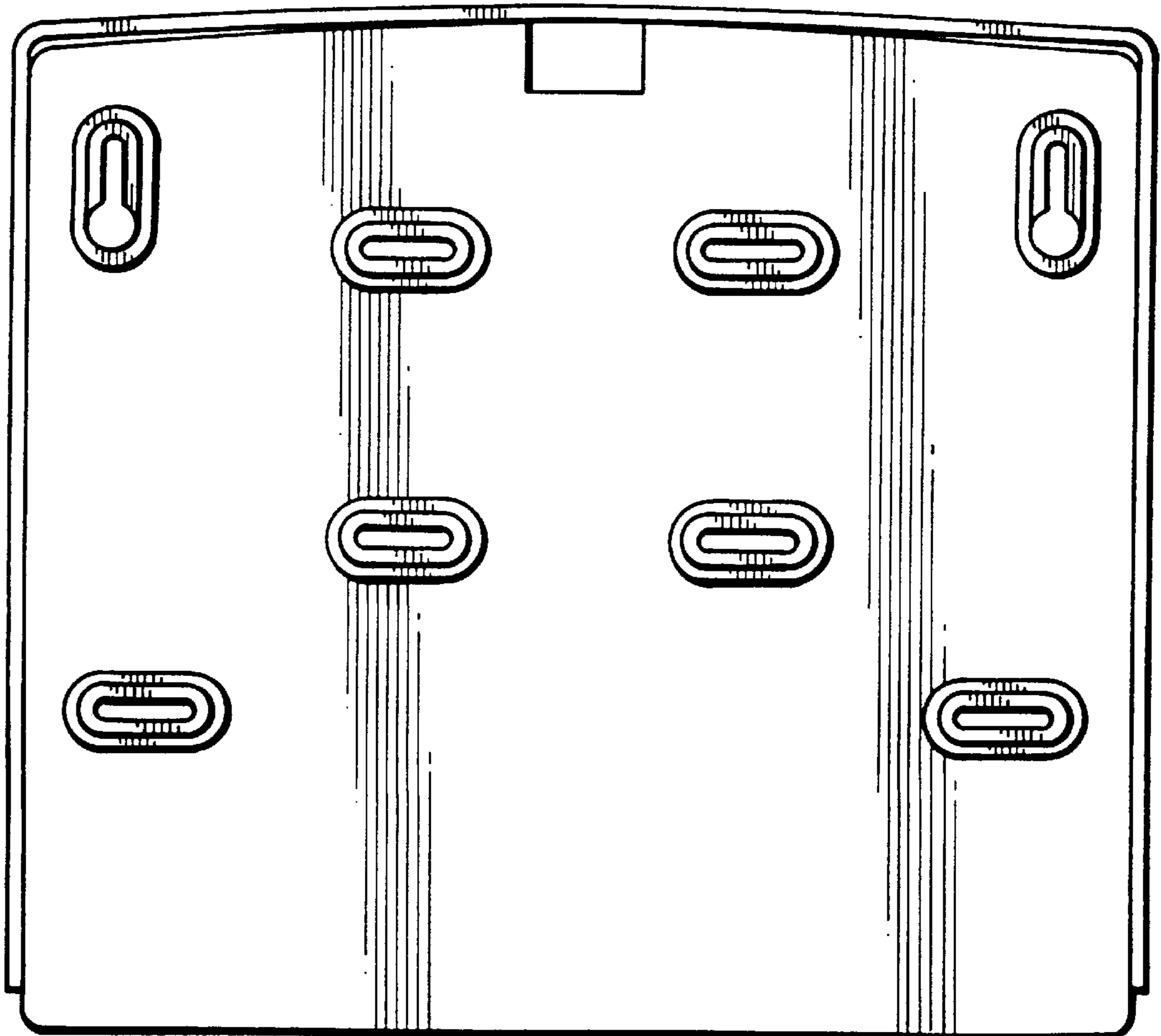


FIG. 5

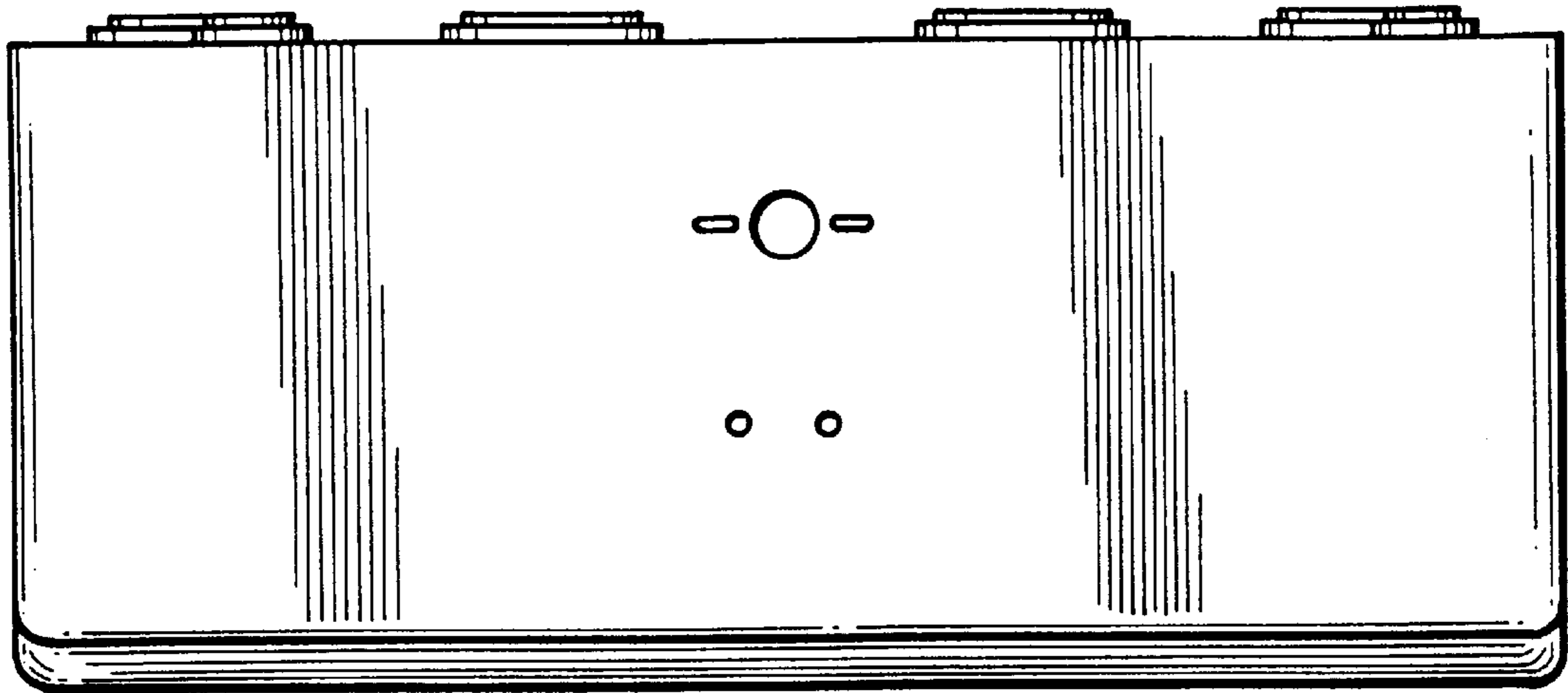


FIG. 6

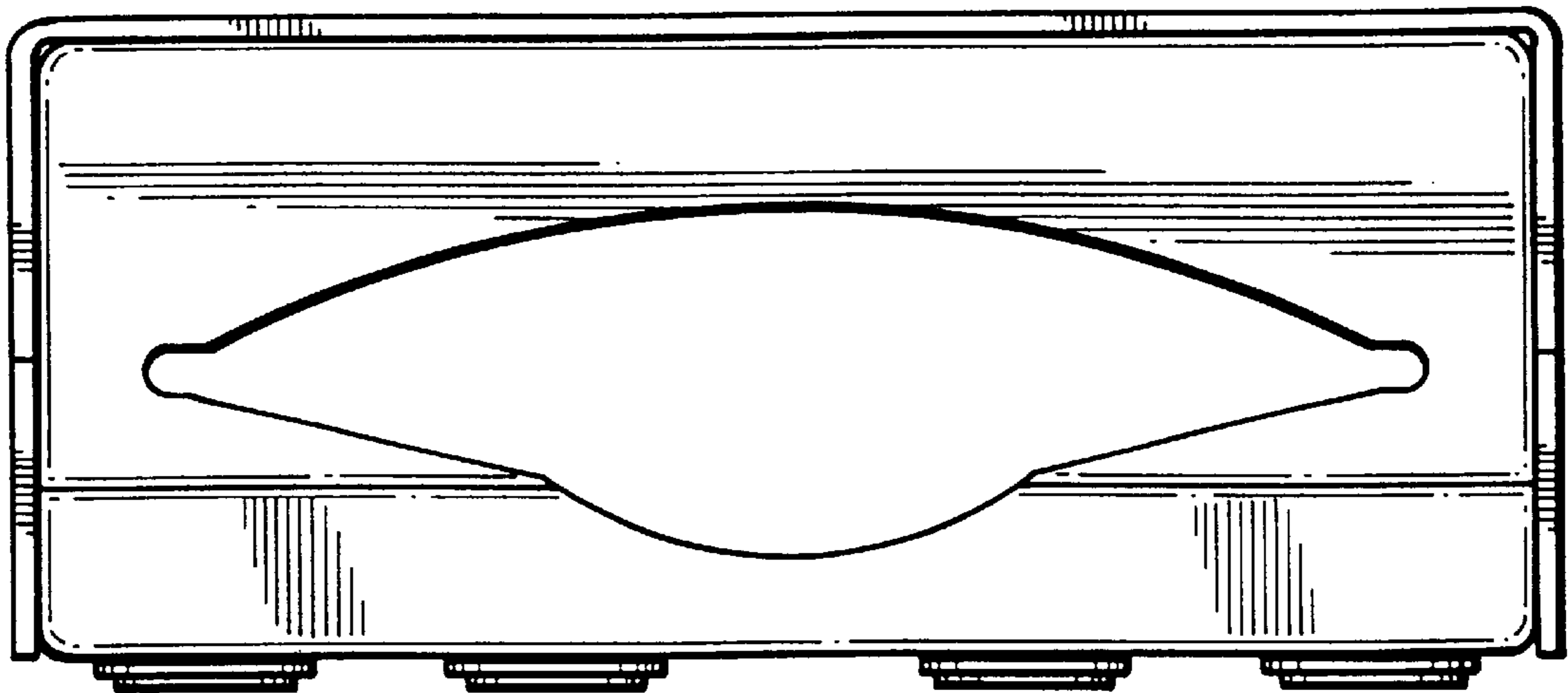


FIG. 7