



US00D424852S

United States Patent [19] Winter

[11] **Patent Number: Des. 424,852**

[45] **Date of Patent: ** May 16, 2000**

[54] **TISSUE HOLDER**

[75] Inventor: **Paul H. Winter**, Wilmington, Del.

[73] Assignee: **Zenith Products Corp.**, New Castle, Del.

[**] Term: **14 Years**

[21] Appl. No.: **29/101,787**

[22] Filed: **Mar. 10, 1999**

[51] **LOC (7) Cl.** **07-07**

[52] **U.S. Cl.** **D6/518**

[58] **Field of Search** D6/518, 522, 523;
211/13.1, 86, 87; 242/570, 590, 555, 596,
598; 312/34.8

[56] **References Cited**

U.S. PATENT DOCUMENTS

D. 264,406 5/1982 Arnott D6/522
D. 326,580 6/1992 Brazis D6/522

D. 327,193 6/1992 Crook et al. D6/523
D. 403,191 12/1998 Paul et al. D6/523

Primary Examiner—Brian N. Vinson
Attorney, Agent, or Firm—Edgar A. Zarins; Lloyd D. Doigan

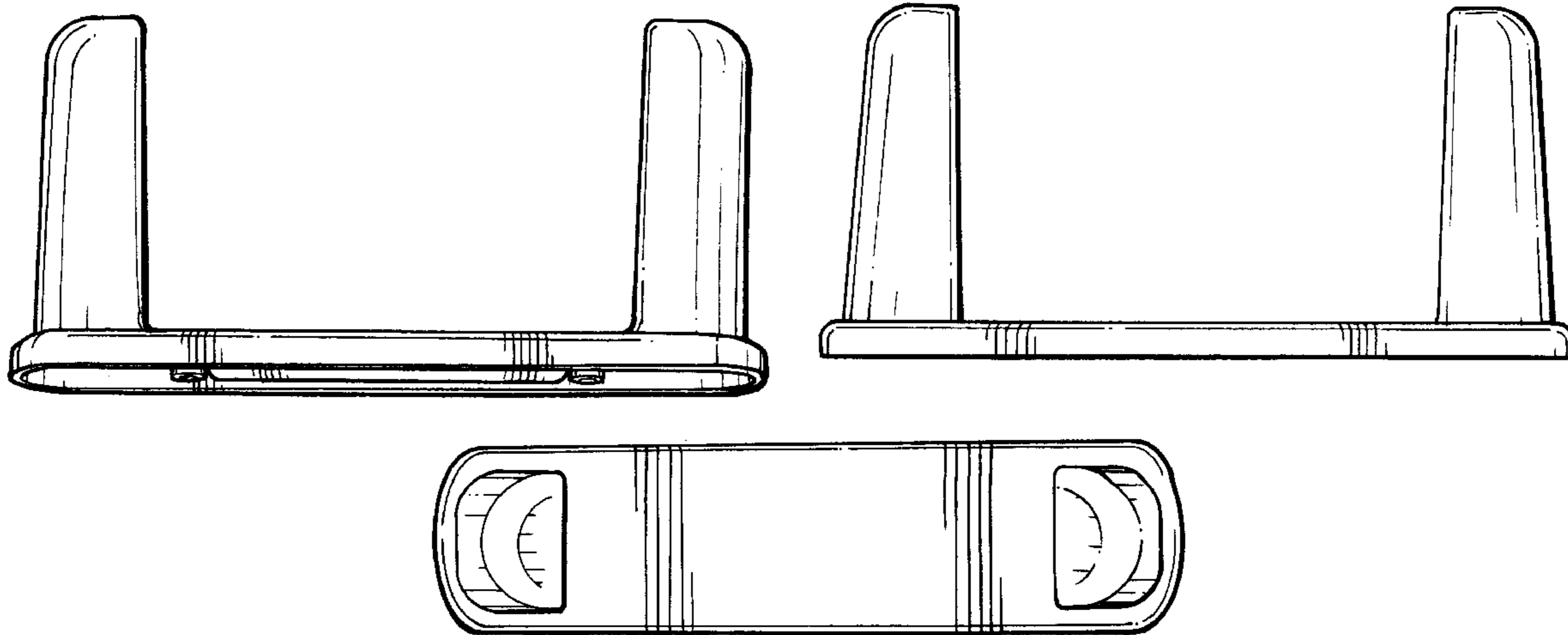
[57] **CLAIM**

The ornamental design for a tissue holder, as shown and described.

DESCRIPTION

FIG. 1 is a perspective view of a tissue holder showing my new design;
FIG. 2 is a top plan view thereof, the bottom side being a mirror image of the side shown;
FIG. 3 is a front elevational view thereof;
FIG. 4 is a rear elevational view thereof; and,
FIG. 5 is an end view thereof, the opposite end being a mirror image of the end shown.

1 Claim, 2 Drawing Sheets



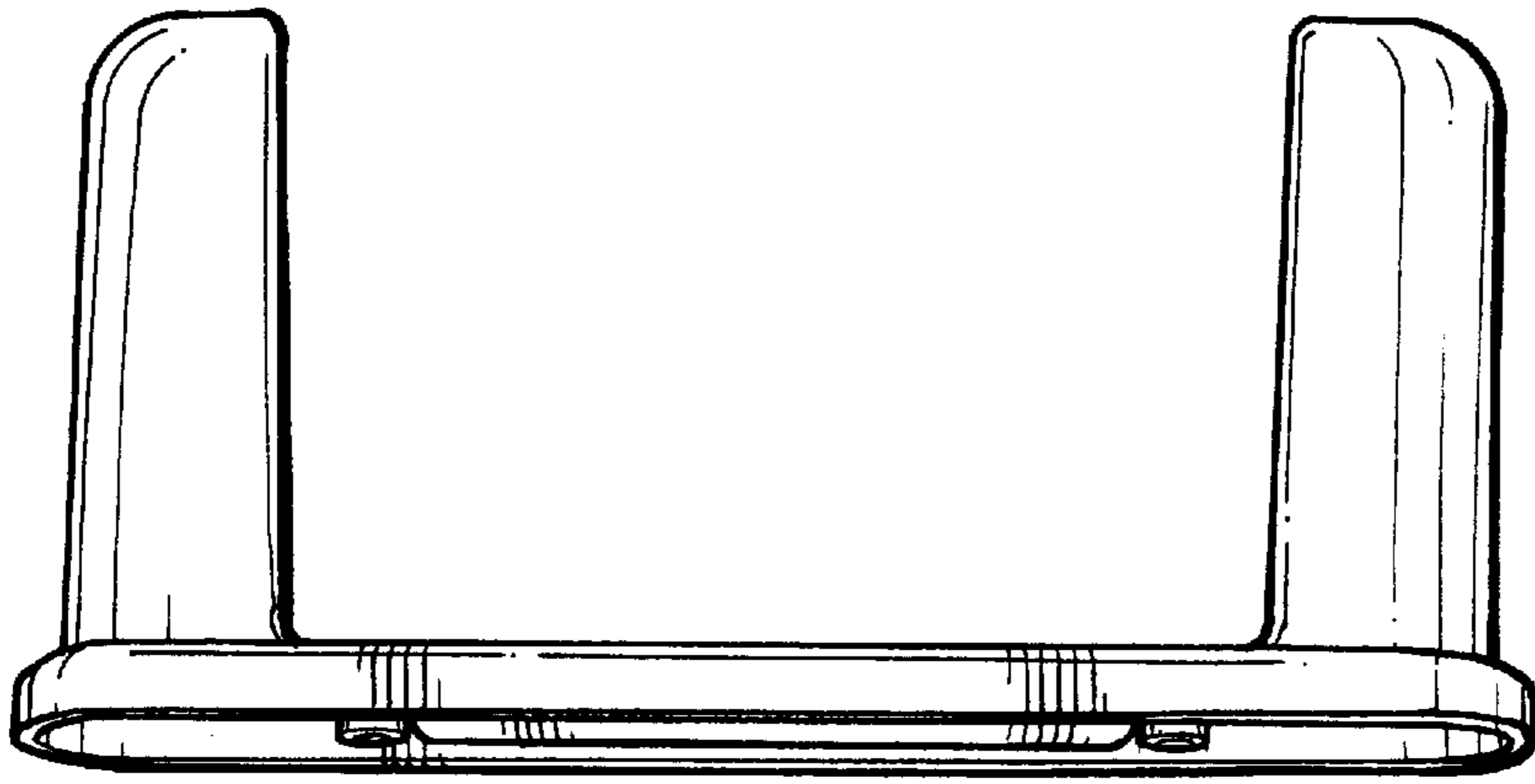


Fig-1

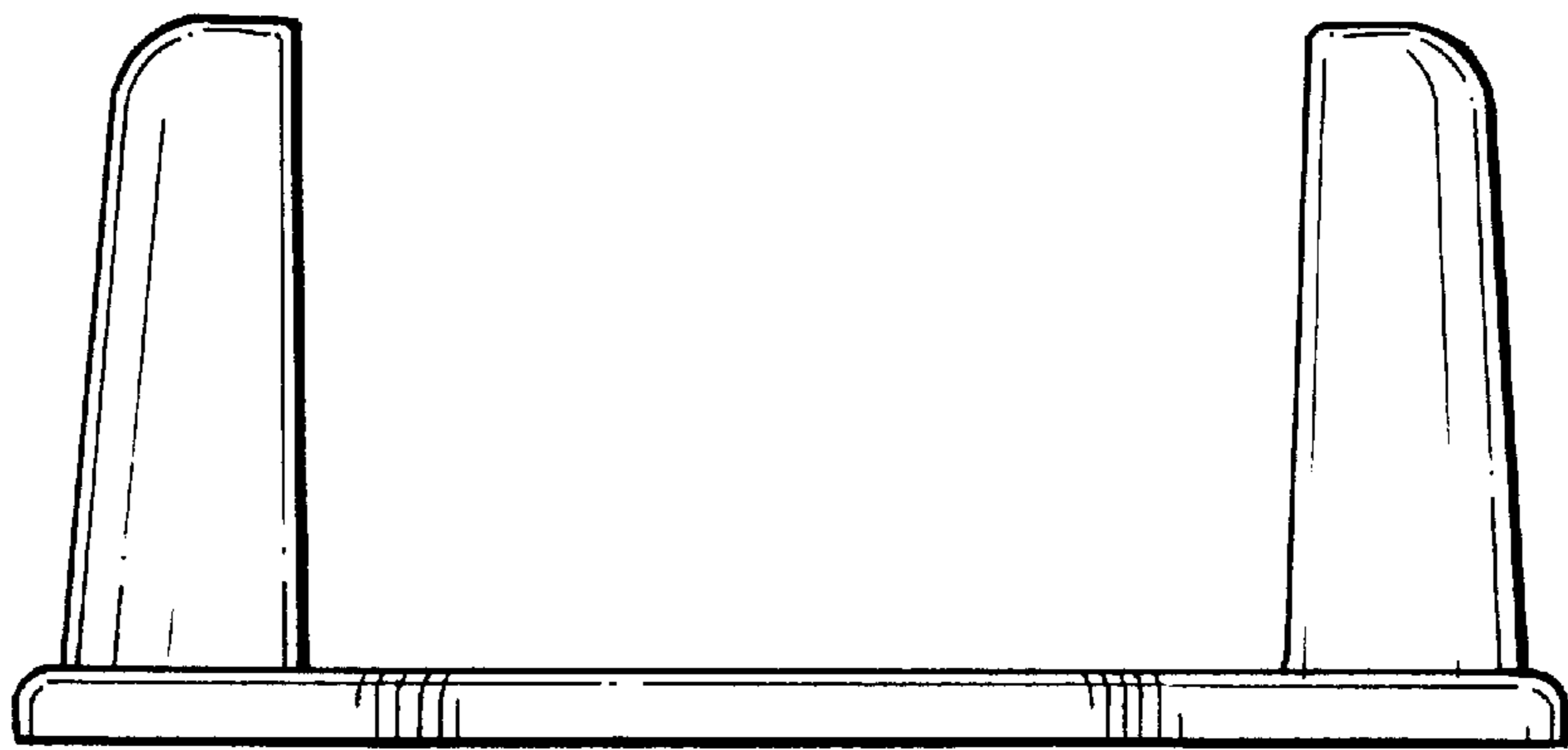
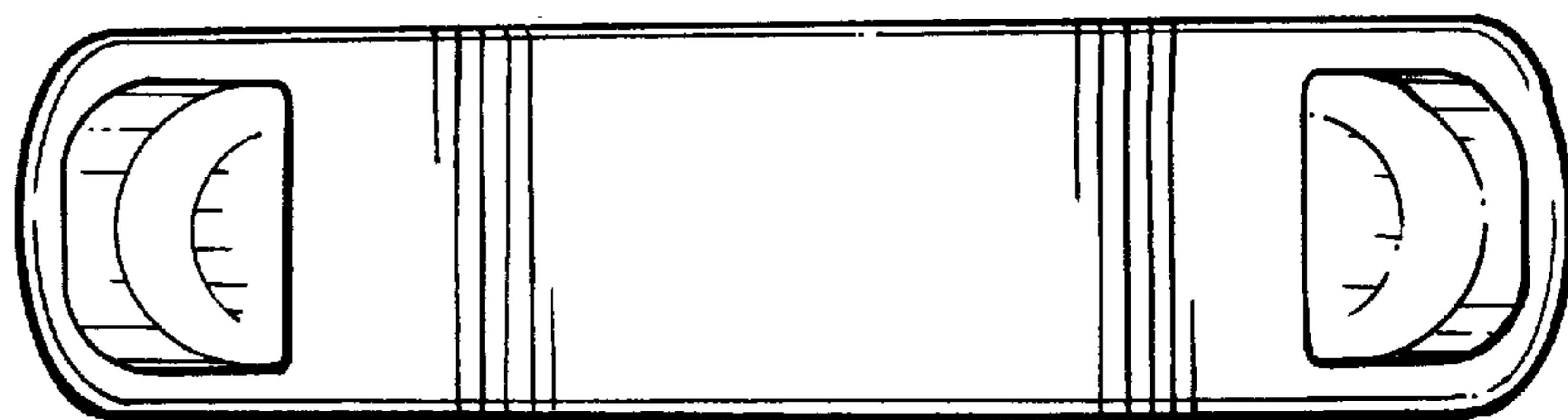


Fig-2

Fig-3



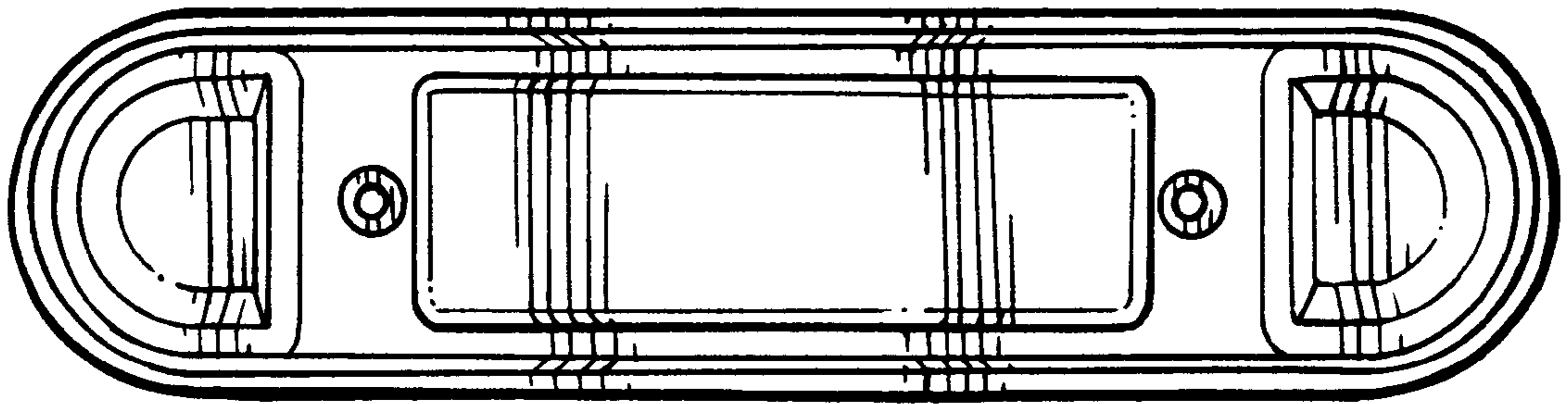


Fig-4

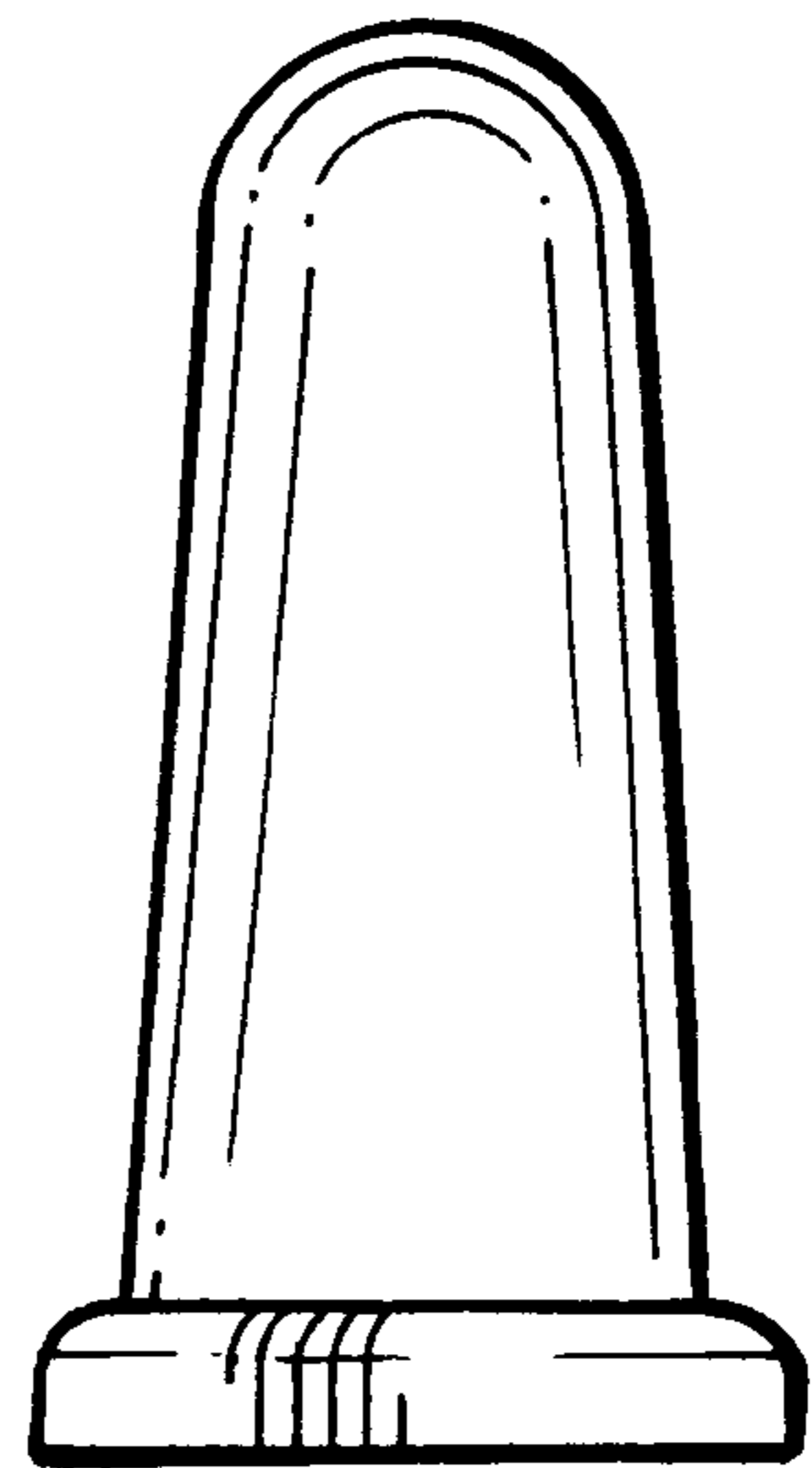


Fig-5