



US00D424851S

United States Patent [19]

[11] Patent Number: Des. 424,851

Smith et al.

[45] Date of Patent: ** May 16, 2000

[54] **GOODS DISPENSER**

[76] Inventors: **Paul C. Smith**, P.O. Box 120, Camp Meeker, Calif. 95419; **Thomas L. Nixon**, P.O. Box 1200, Occidental, Calif. 95465

[**] Term: **14 Years**

[21] Appl. No.: **29/102,312**

[22] Filed: **Mar. 22, 1999**

[51] **LOC (7) Cl.** **07-07**

[52] **U.S. Cl.** **D6/515**

[58] **Field of Search** D6/515, 517, 518; 206/409, 233; 221/30, 31, 33, 37; 312/34.1, 34.4

[56] **References Cited**

U.S. PATENT DOCUMENTS

D. 167,890	10/1952	Hallward	D6/518
D. 278,005	3/1985	Wolff	D6/518
D. 297,774	9/1988	Sussman	D6/518
D. 365,482	12/1995	Larimore	D6/518
D. 403,543	1/1999	Grasso et al.	D6/518
5,129,545	7/1992	Parks	221/33 X

Primary Examiner—Brian N. Vinson

[57] **CLAIM**

The ornamental design for a goods dispenser, as shown and described.

DESCRIPTION

FIG. 1 is a bottom, front, and right side perspective view of a goods dispenser showing a first embodiment of our new design;

FIG. 2 is a bottom, front, and right side perspective view of a goods dispenser showing a second embodiment of our new design;

FIG. 3 is a bottom, front, and right side perspective view of a goods dispensers showing a third embodiment of our new design;

FIG. 4 is a bottom, front, and right side perspective view of a goods dispenser showing a fourth embodiment of our new design;

FIG. 5 is a front elevational view of the first embodiment thereof;

FIG. 6 is a front elevational view of the second embodiment thereof;

FIG. 7 is a front elevational view of the third embodiment thereof;

FIG. 8 is a front elevational view of the fourth embodiment thereof;

FIG. 9 is a right side elevational view of the first embodiment thereof, the left side being a mirror image of that shown, with the side elevations of the second and third embodiments being identical in appearance;

FIG. 10 is a right side elevational view of the fourth embodiment thereof, the left side being a mirror image of that shown;

FIG. 11 is rear elevational view of the first embodiment thereof, with the rear elevations of the second, third, and fourth elevations being identical in appearance;

FIG. 12 is a bottom plan view of the first embodiment thereof;

FIG. 13 is a bottom plan view of the second embodiment thereof;

FIG. 14 is a bottom plan view of the third embodiment thereof;

FIG. 15 is a bottom plan view of the fourth embodiment thereof;

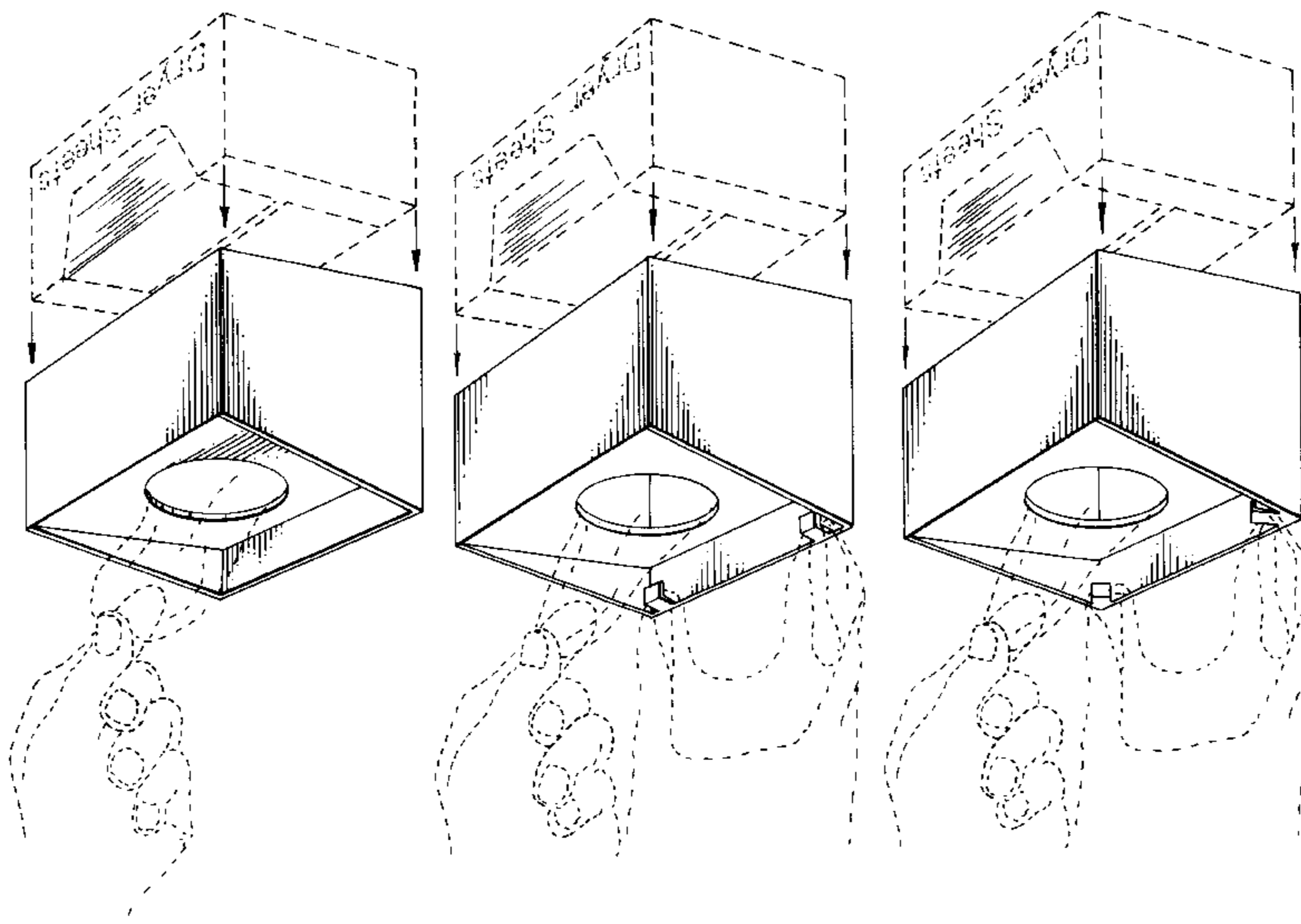
FIG. 16 is a top plan view of the first embodiment thereof, with the top plan view of the fourth embodiment being identical in appearance;

FIG. 17 is a top plan view of the second embodiment thereof; and,

FIG. 18 is a top plan view of the third embodiment thereof.

The broken-line disclosure of dryer sheet cartons, dryer sheets and hands in the views are for illustrative purposes only and form no part of the claimed design.

1 Claim, 9 Drawing Sheets



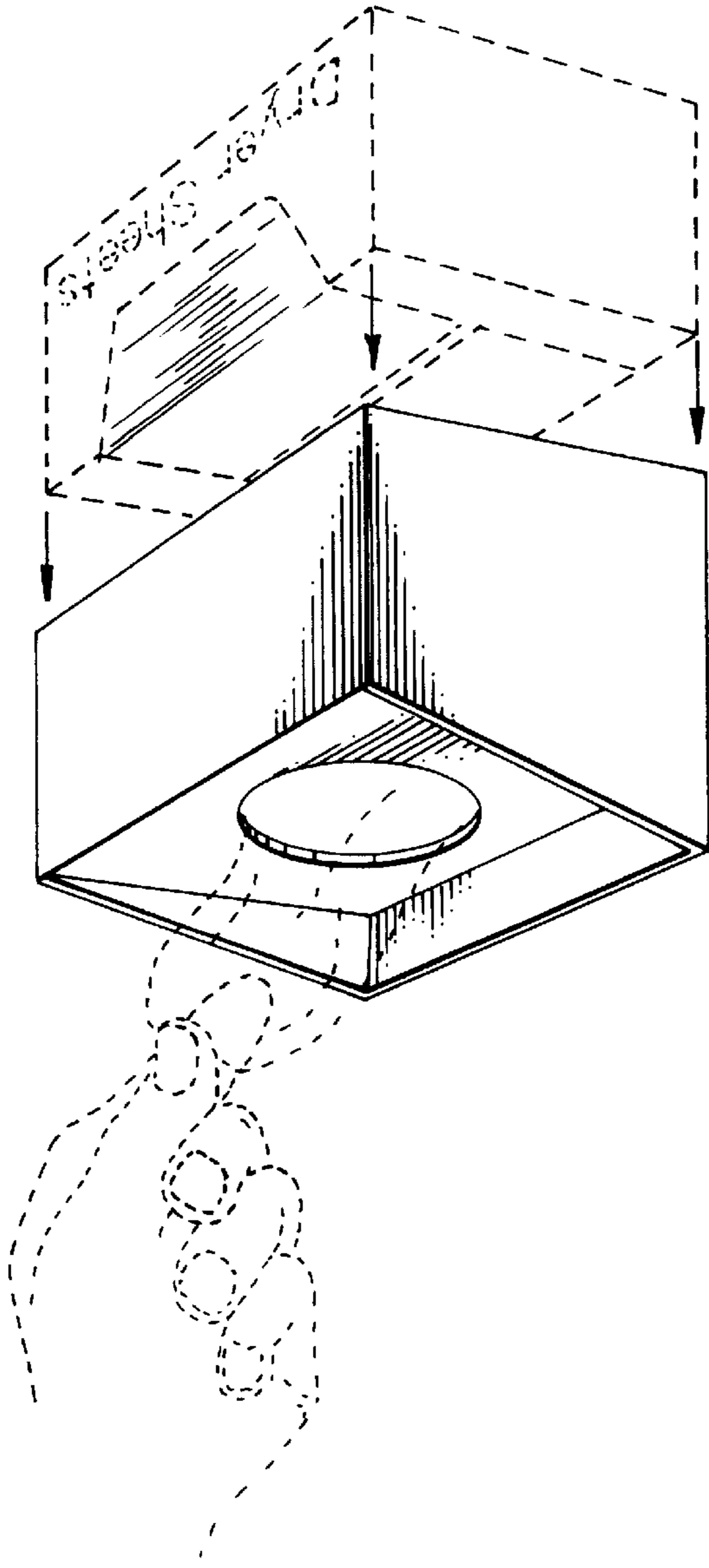


Fig. 1

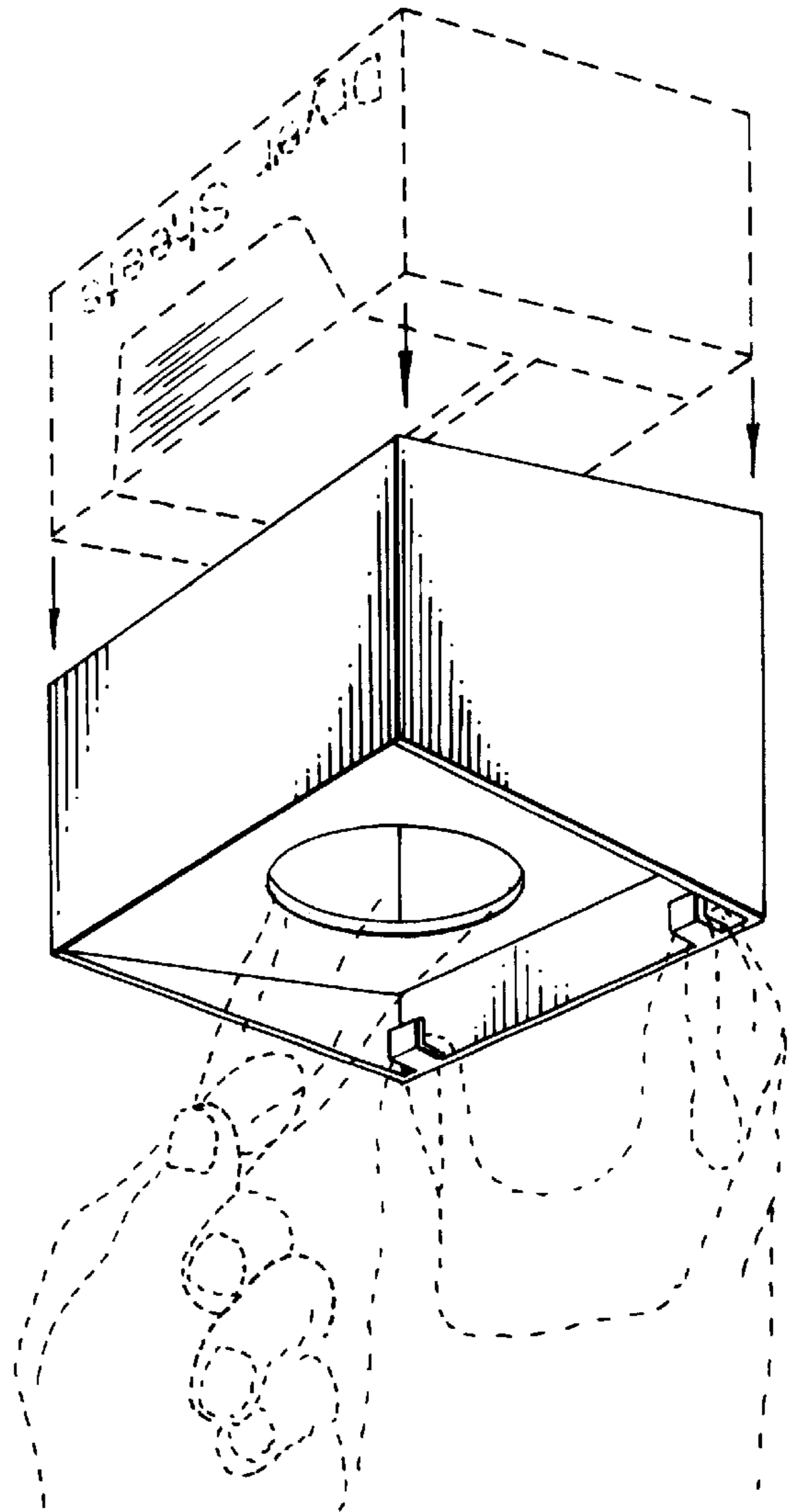


Fig. 2

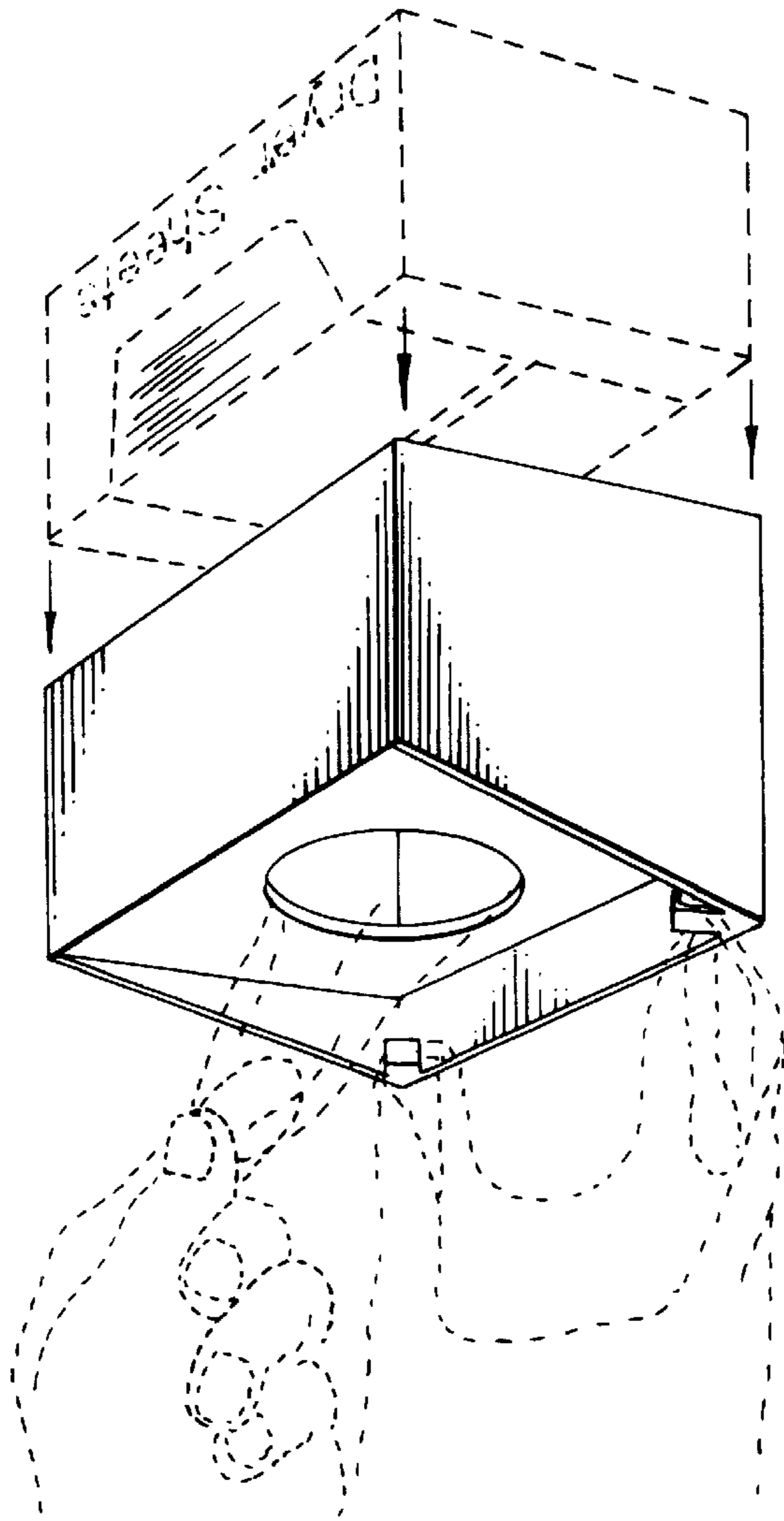


Fig. 3

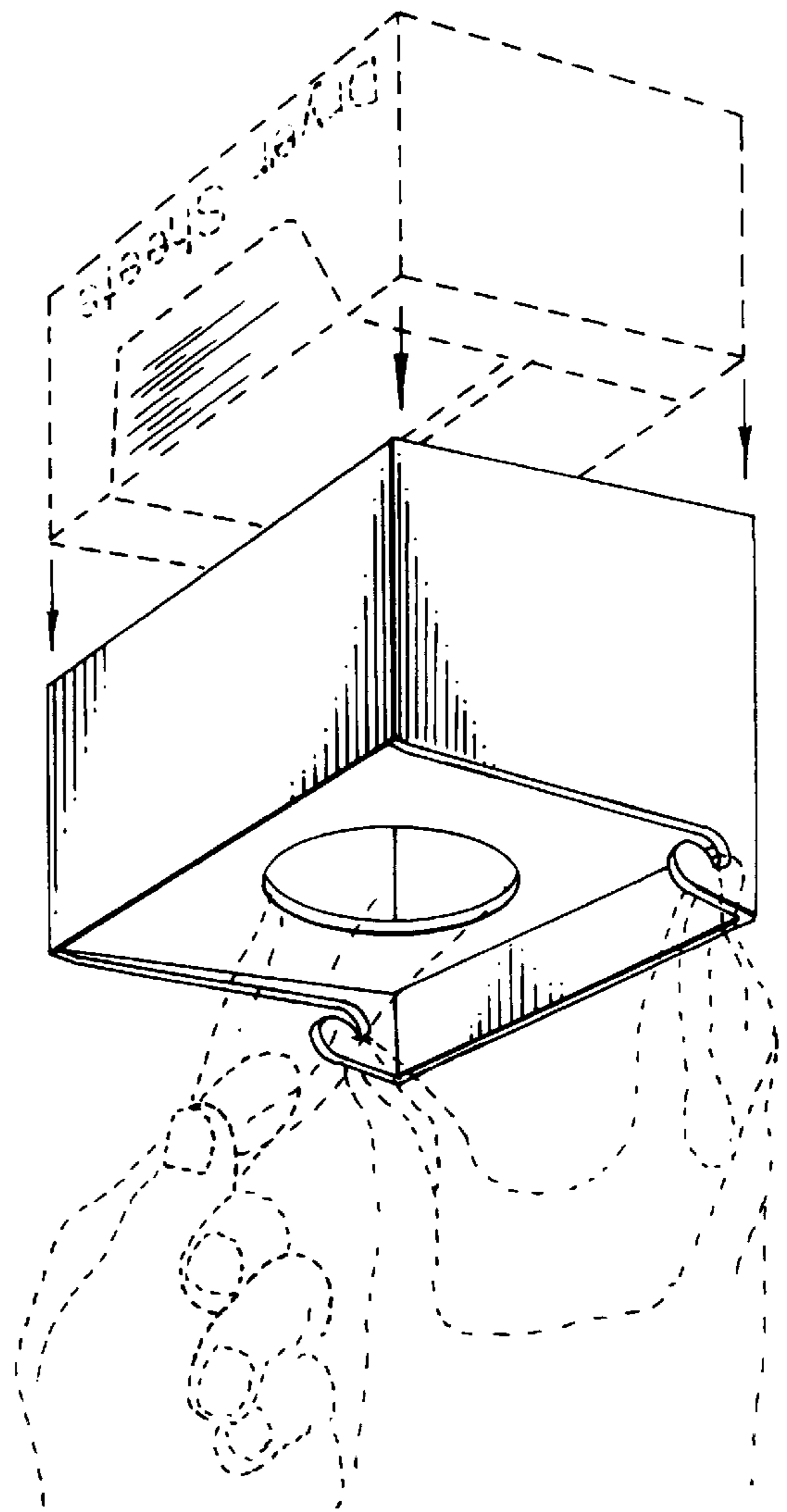


Fig. 4

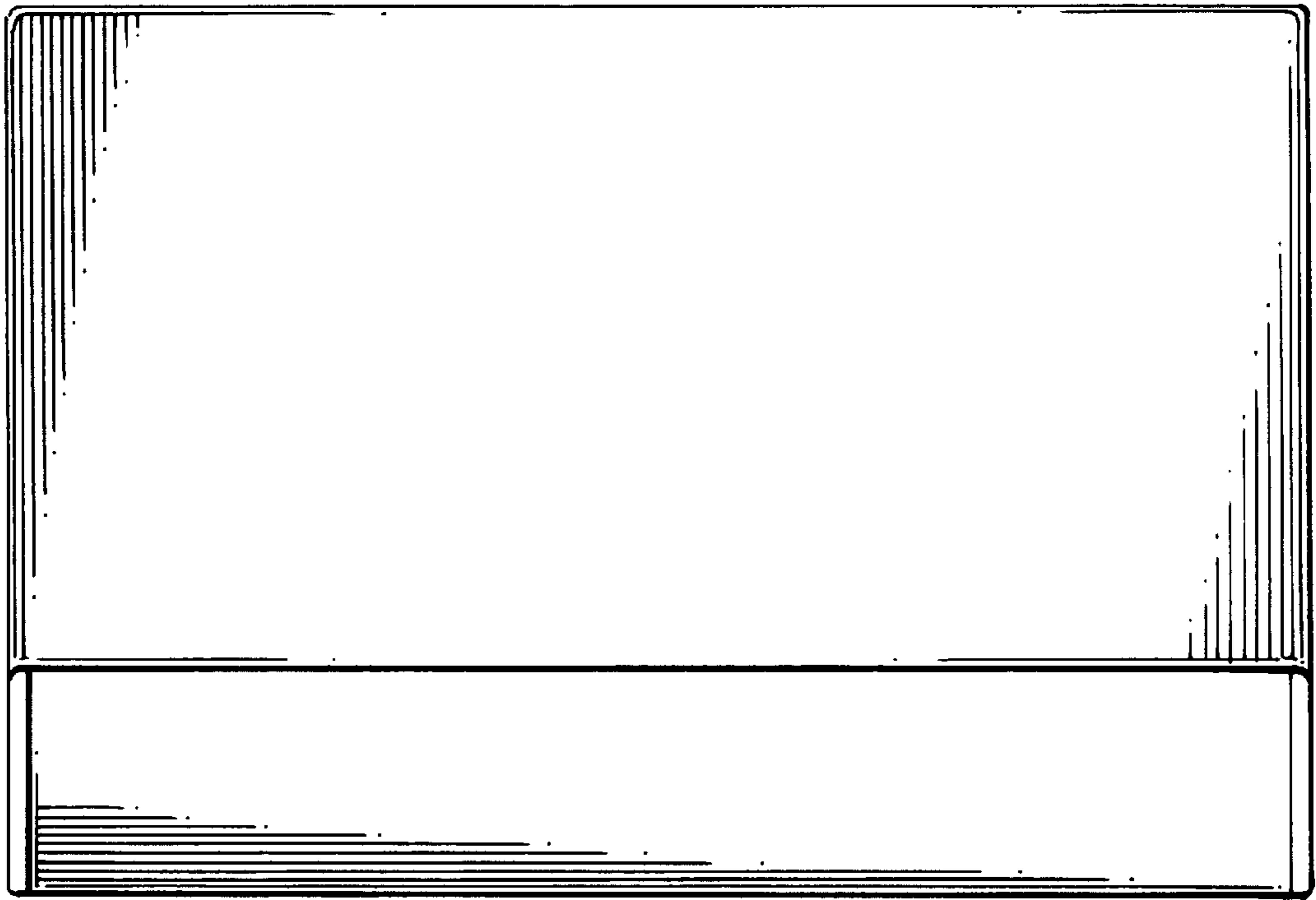


Fig. 5

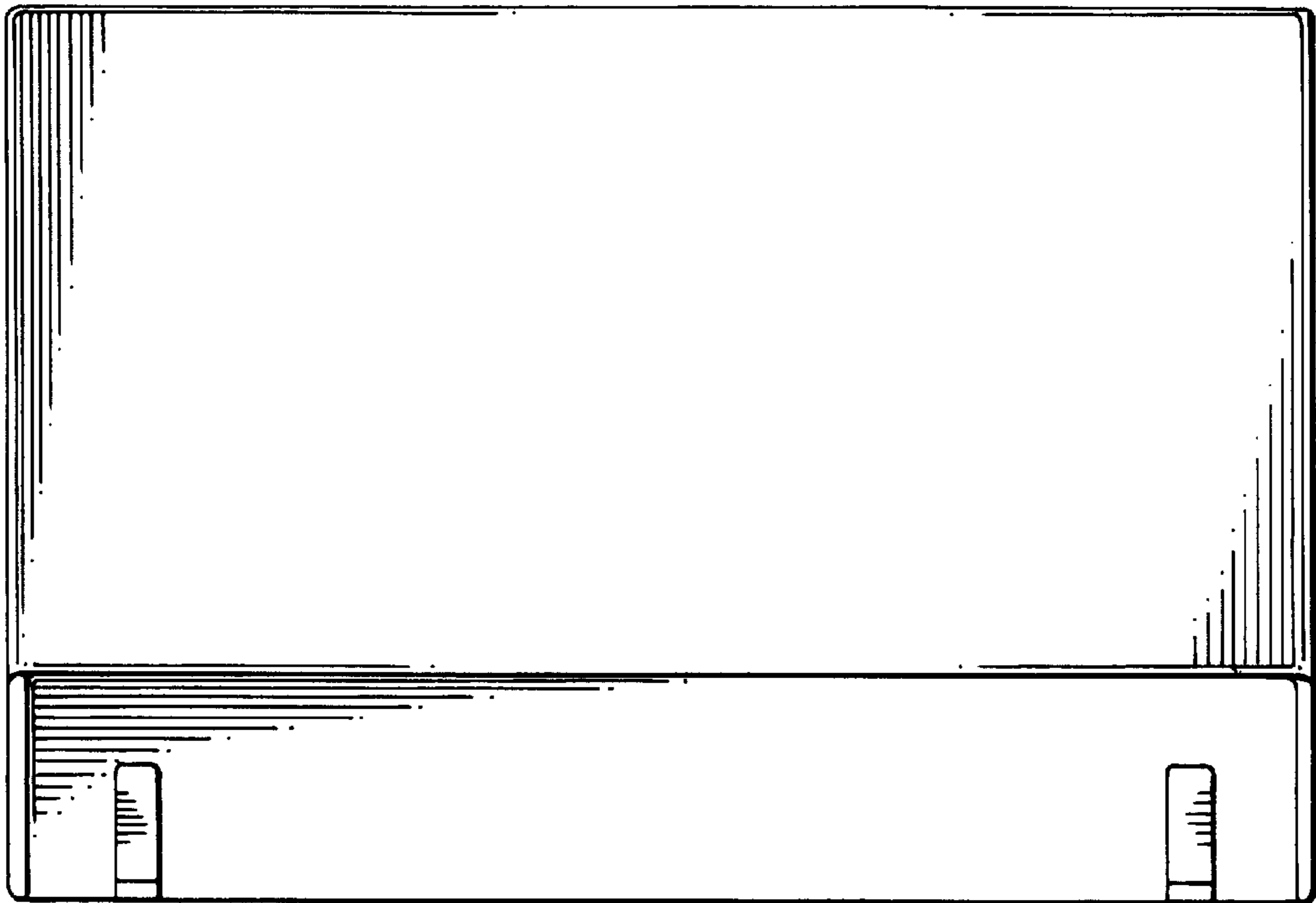


Fig. 6

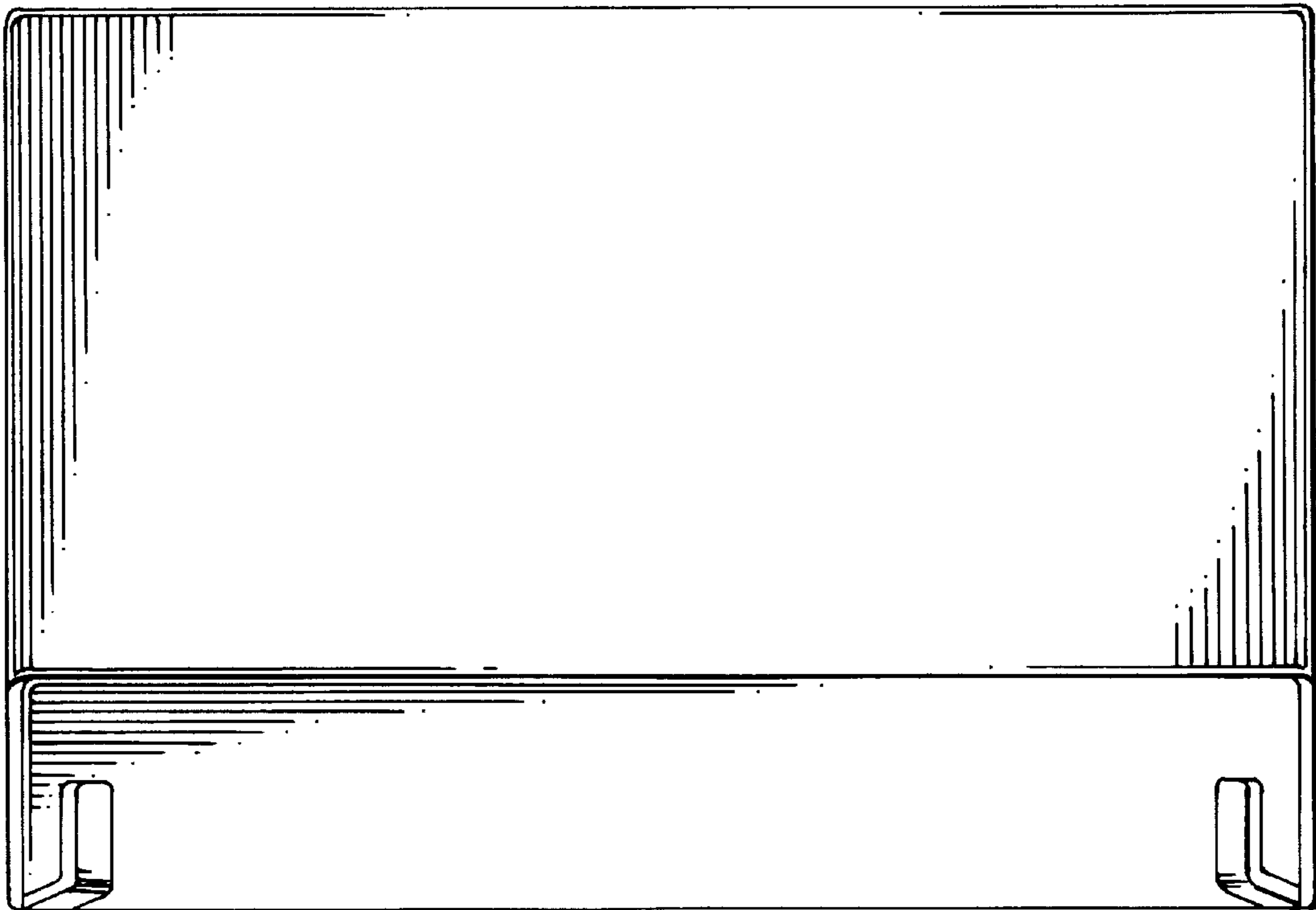


Fig. 7

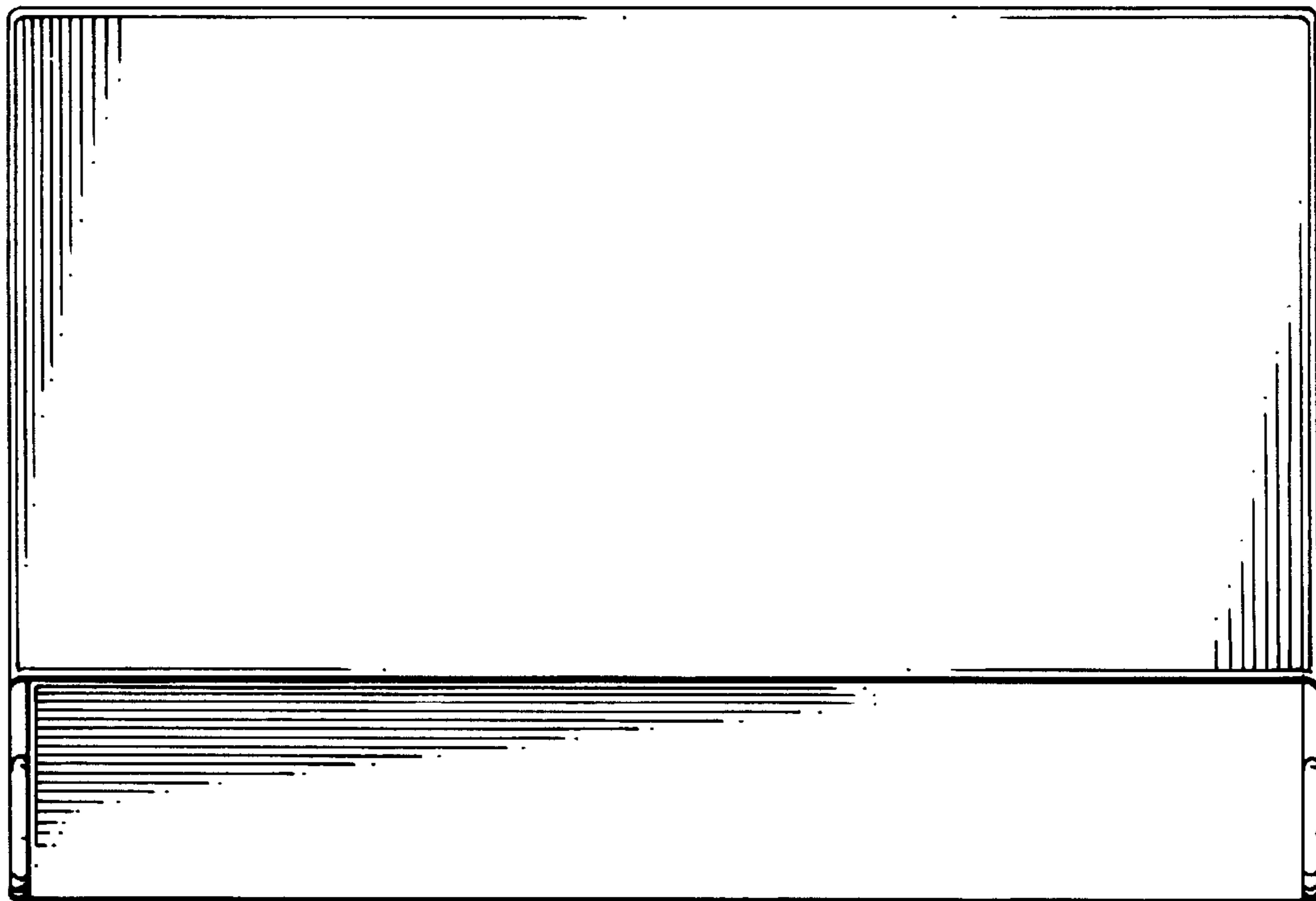


Fig. 8

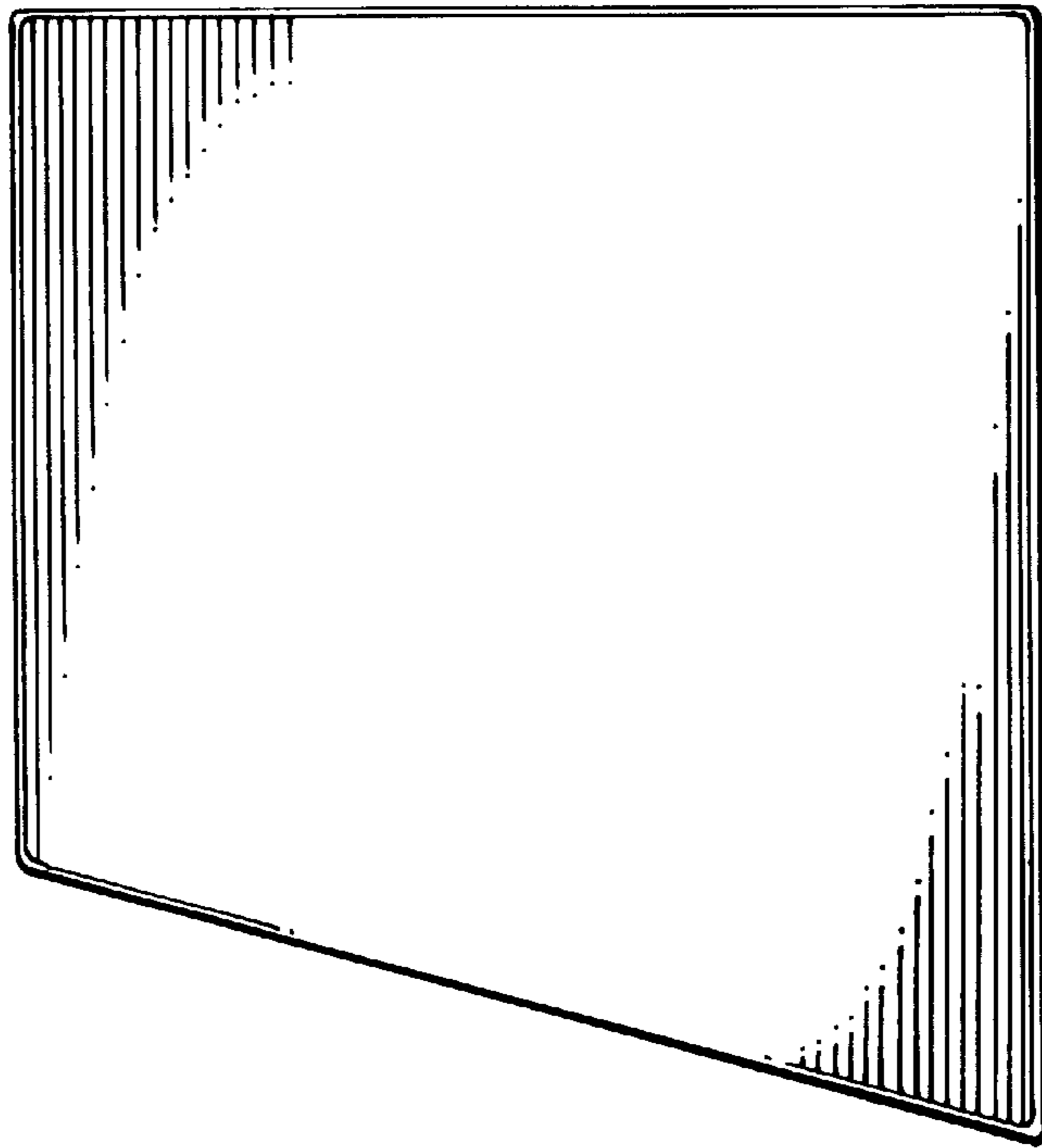


Fig. 9

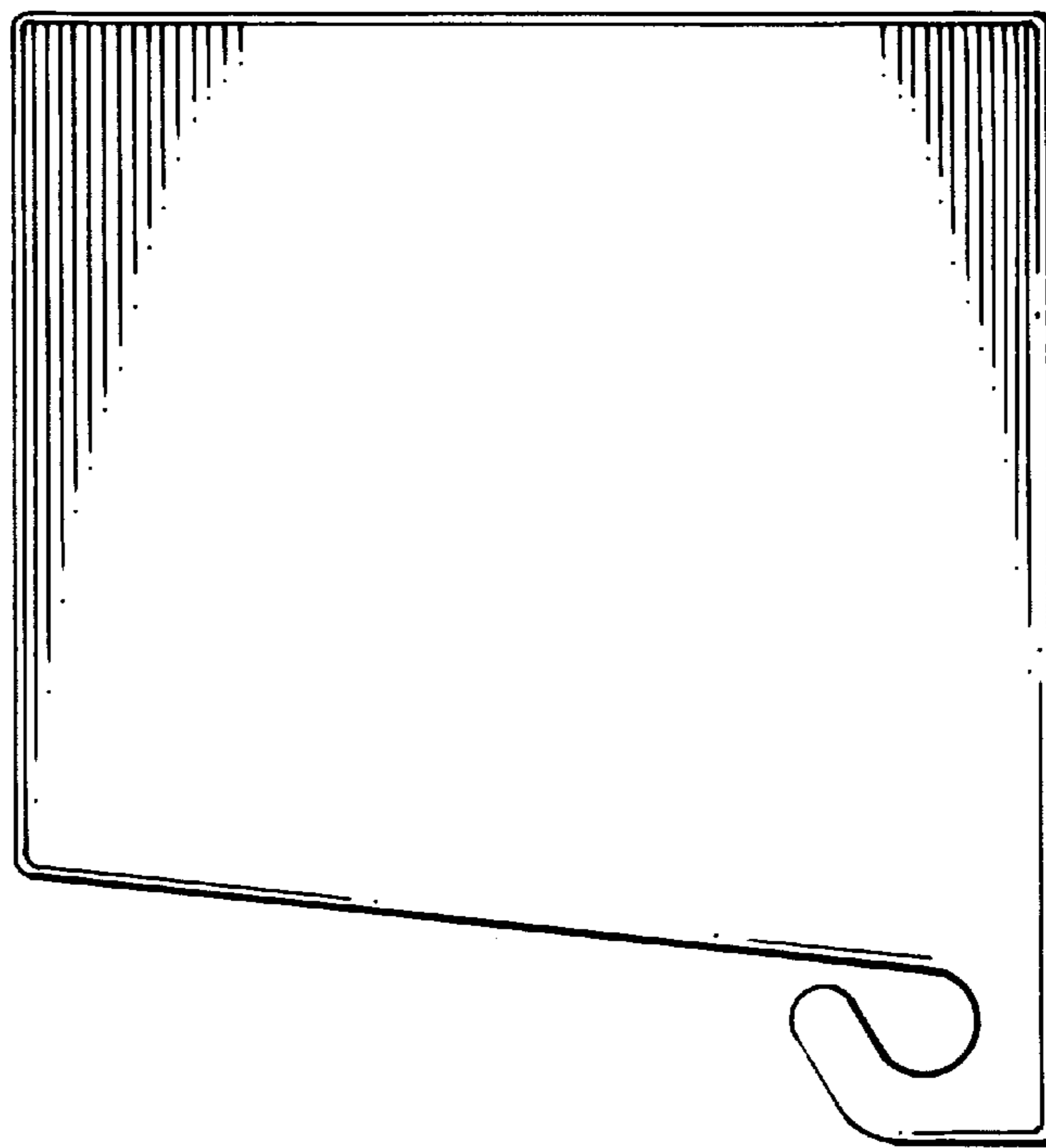


Fig. 10

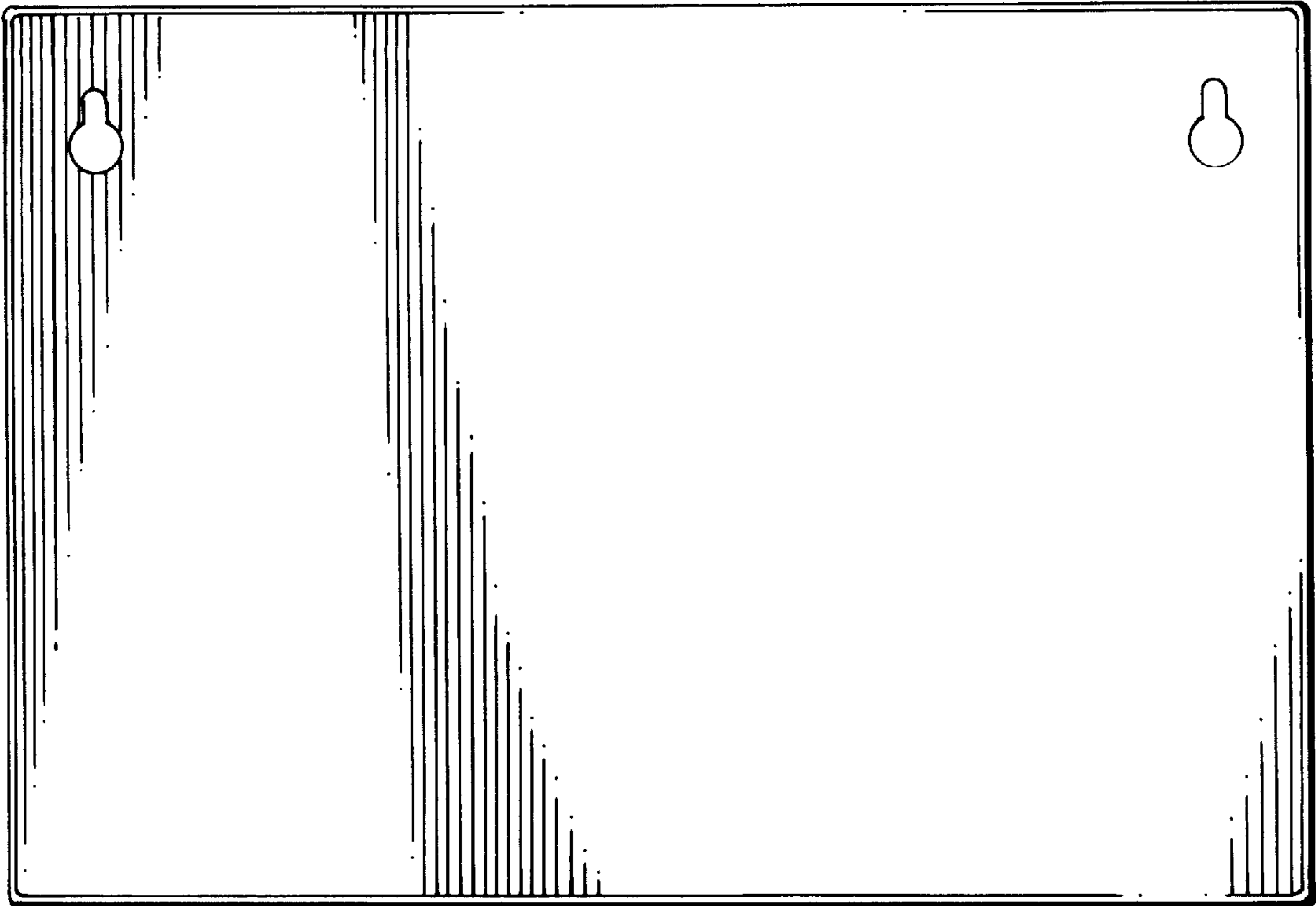


Fig. 11

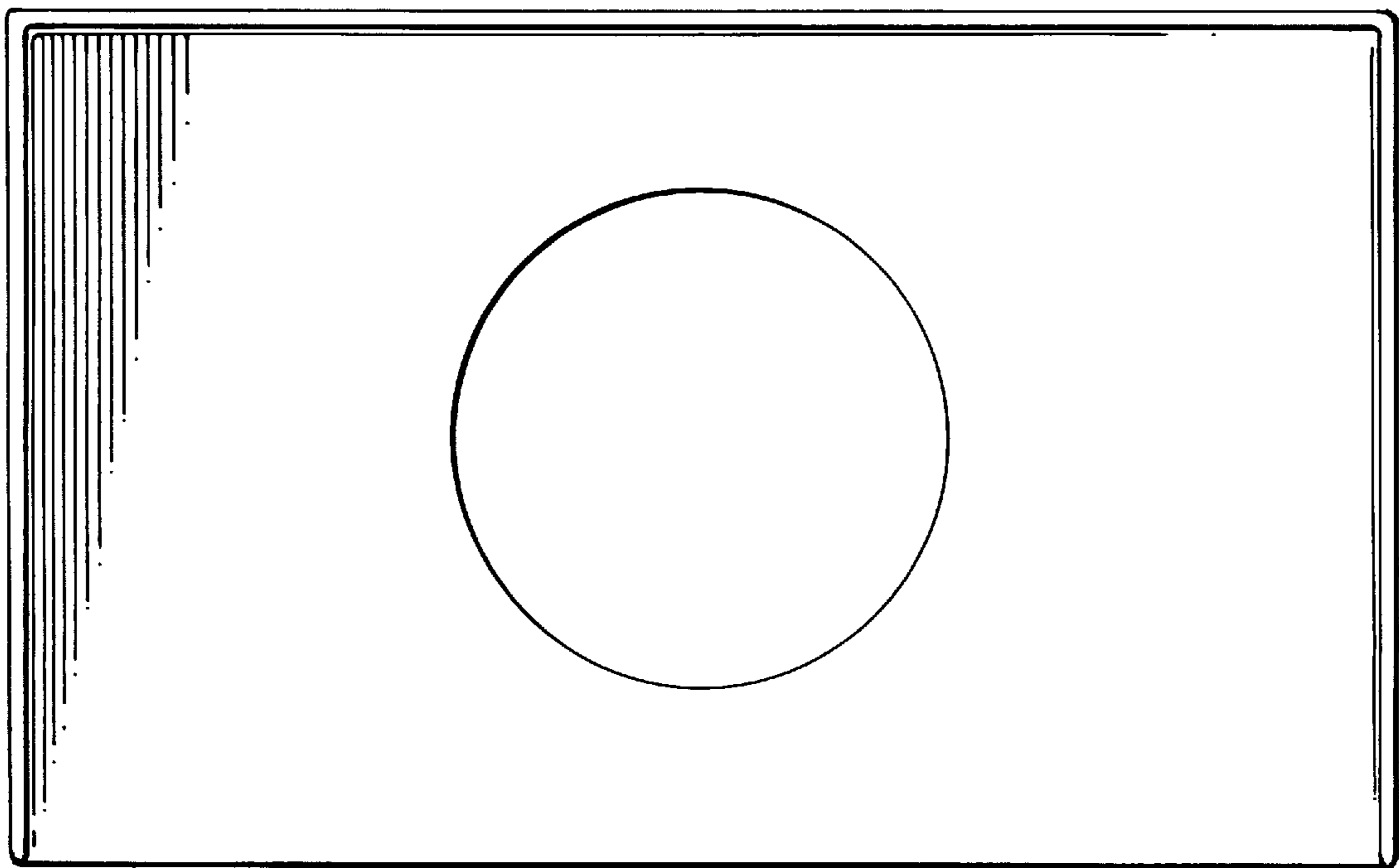


Fig. 12

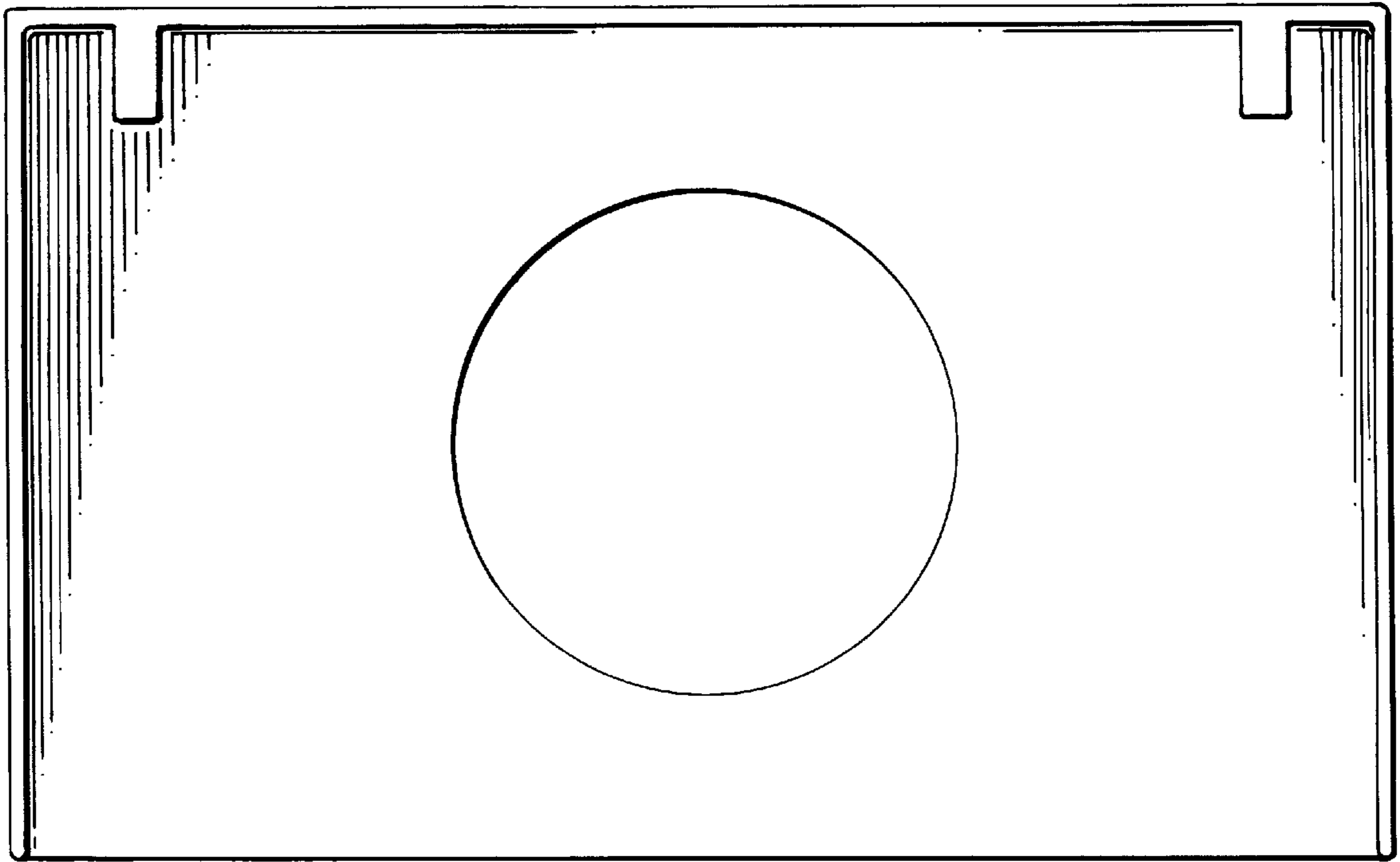


Fig. 13

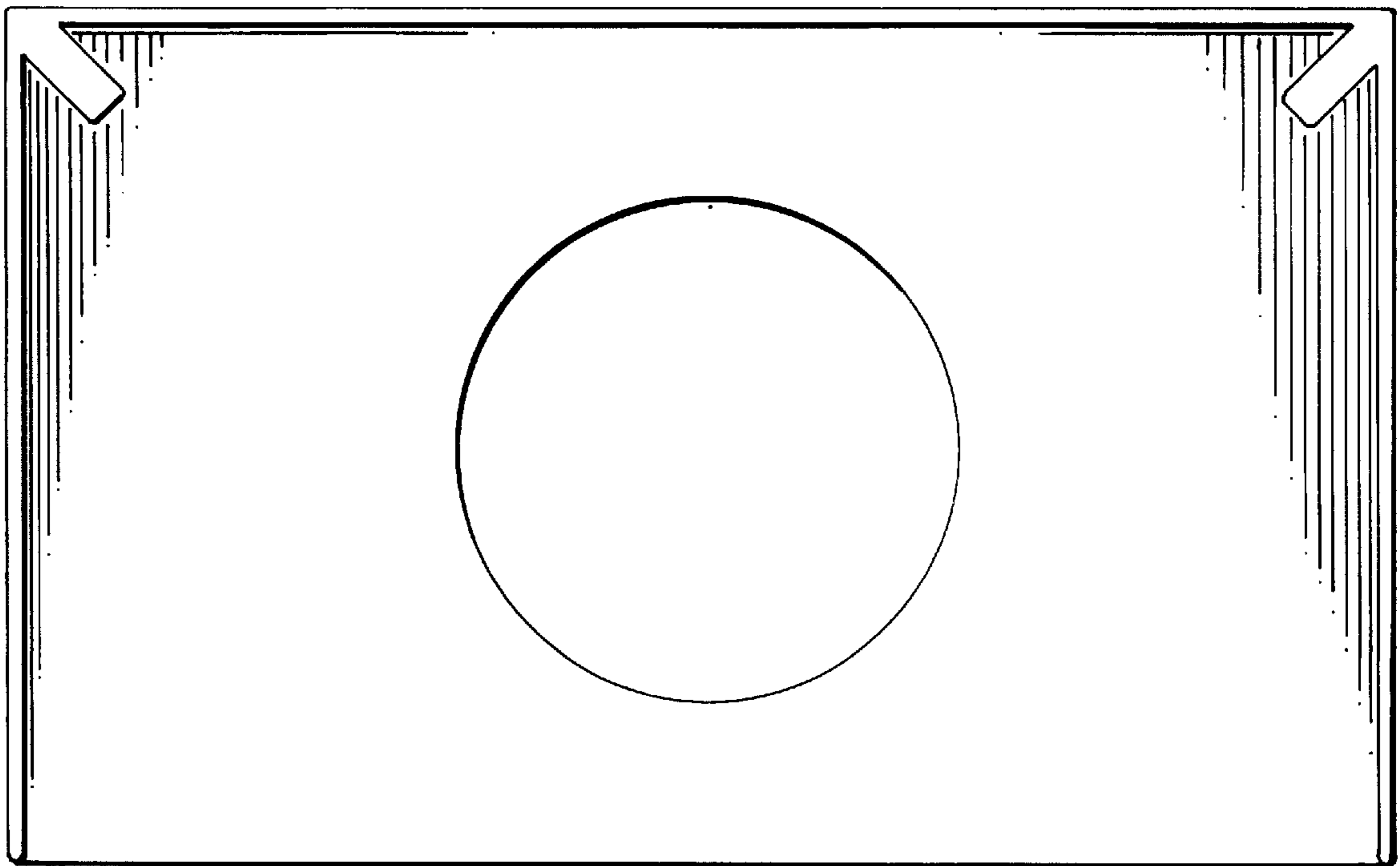


Fig. 14

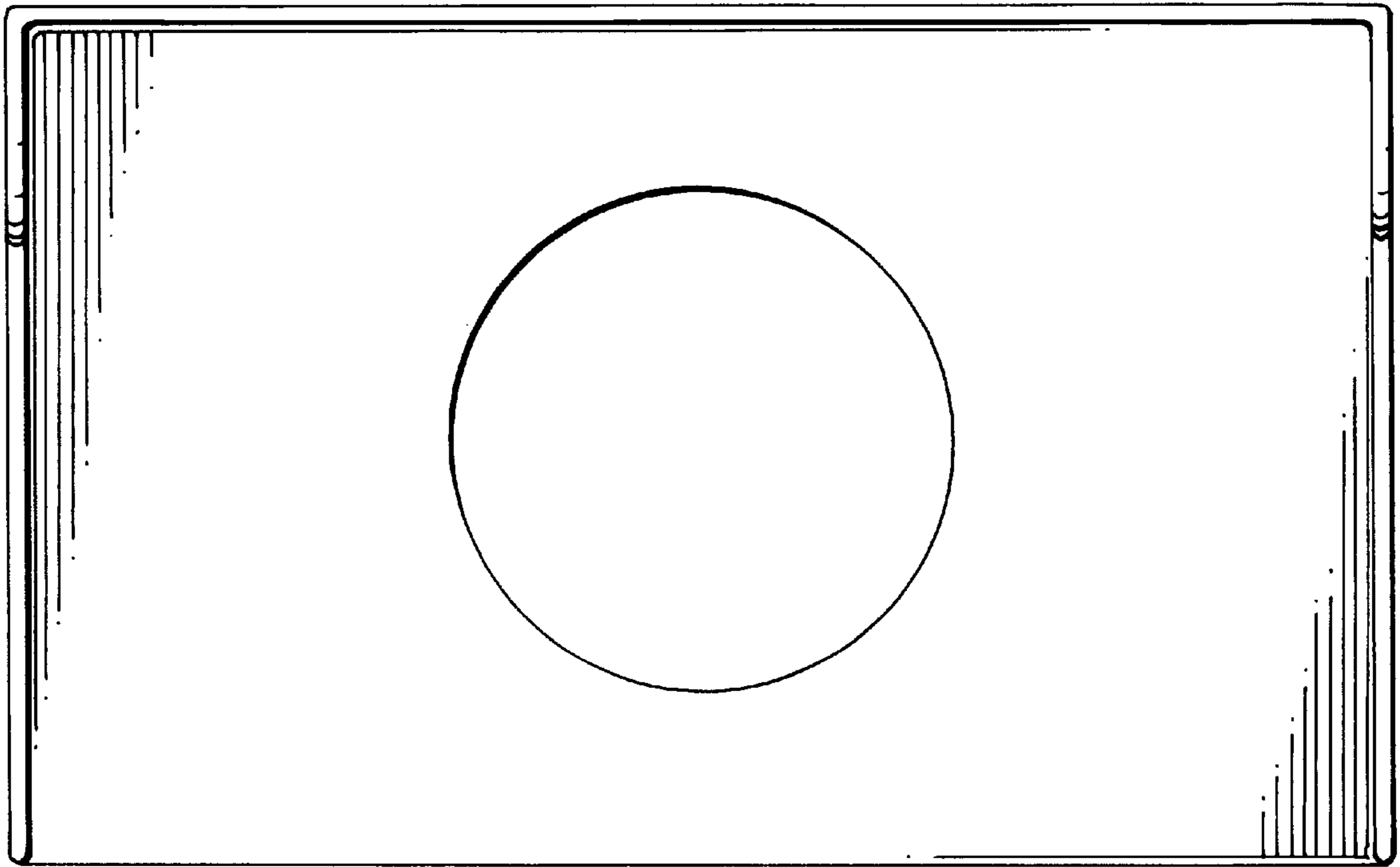


Fig. 15

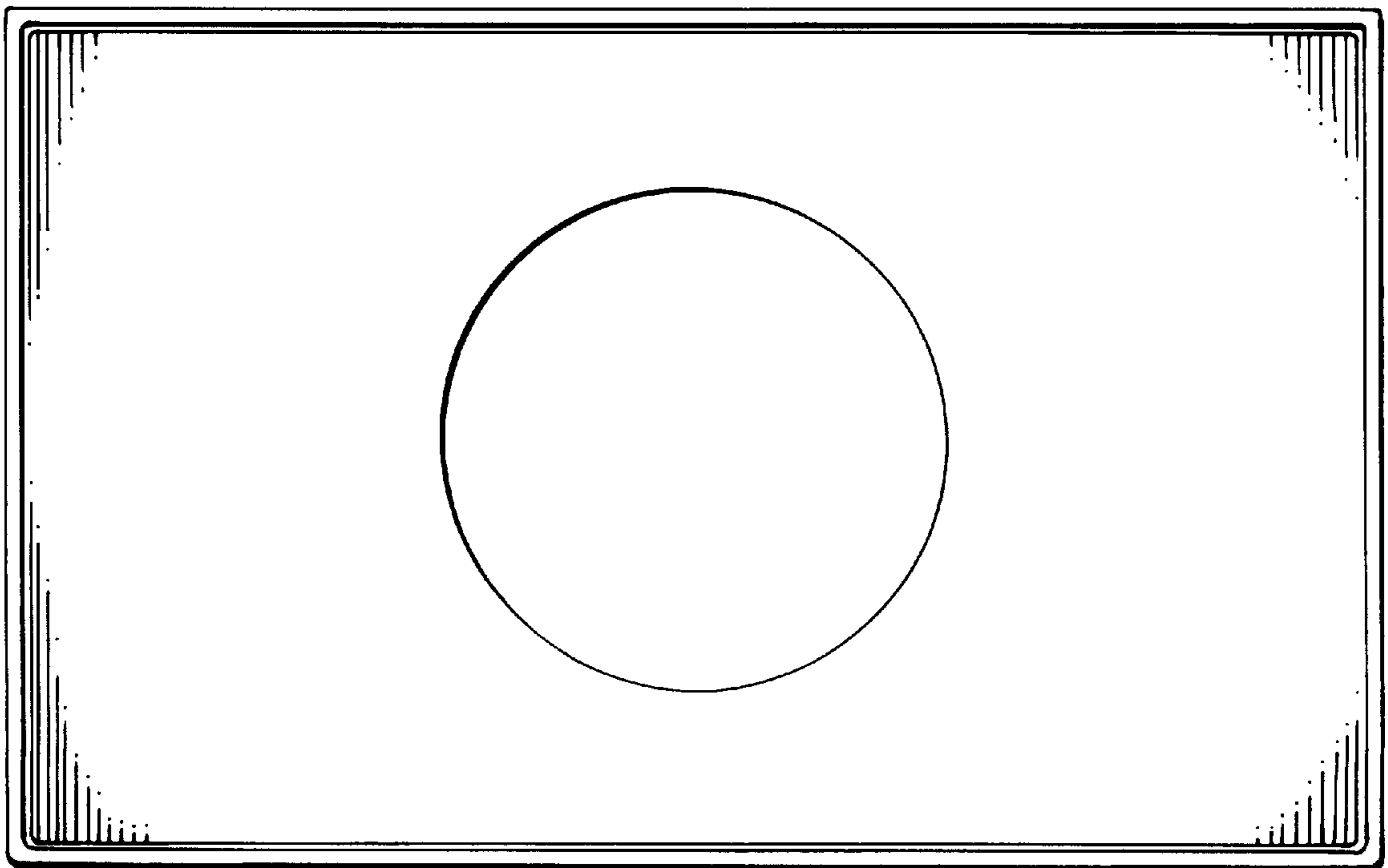


Fig. 16

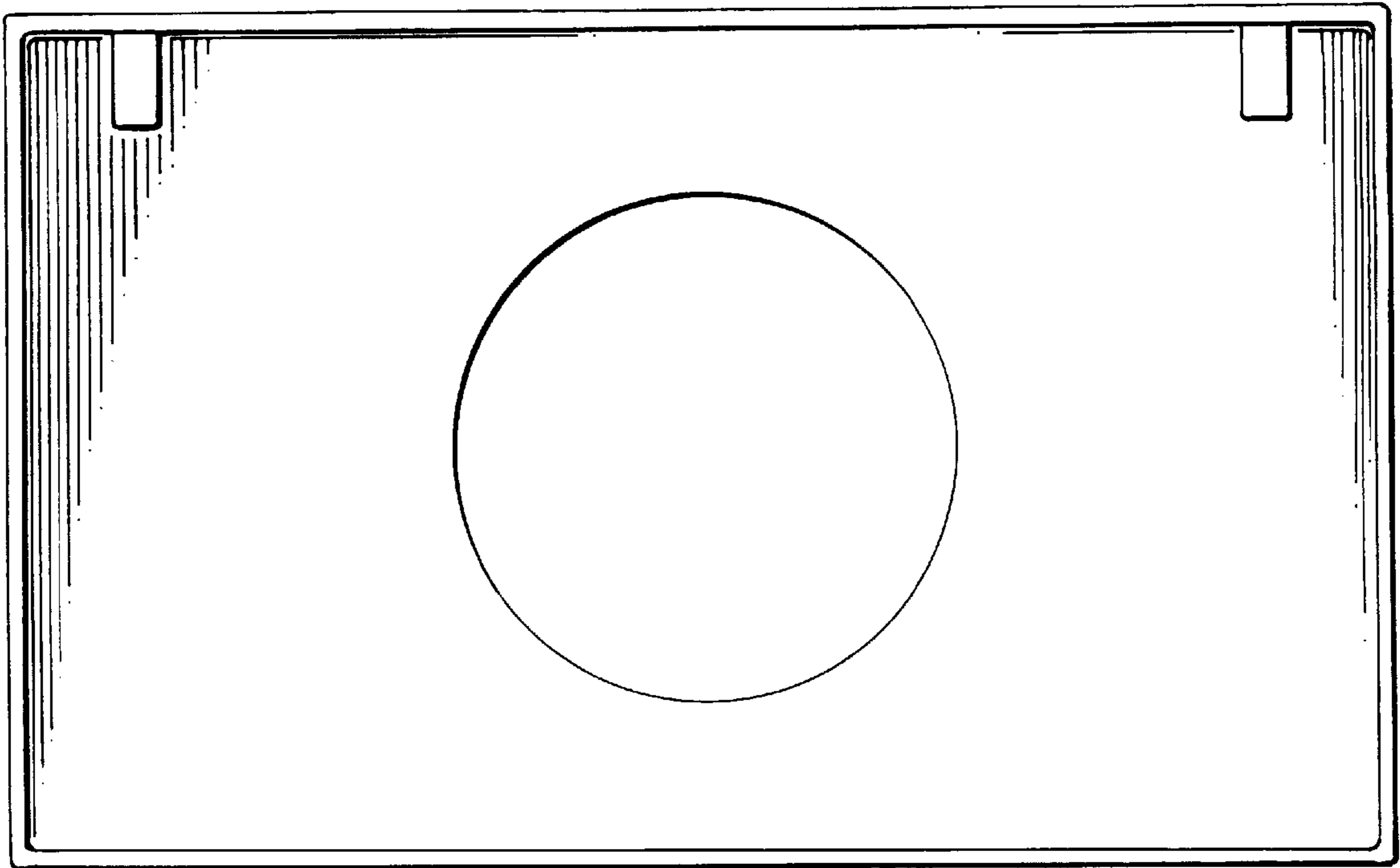


Fig. 17

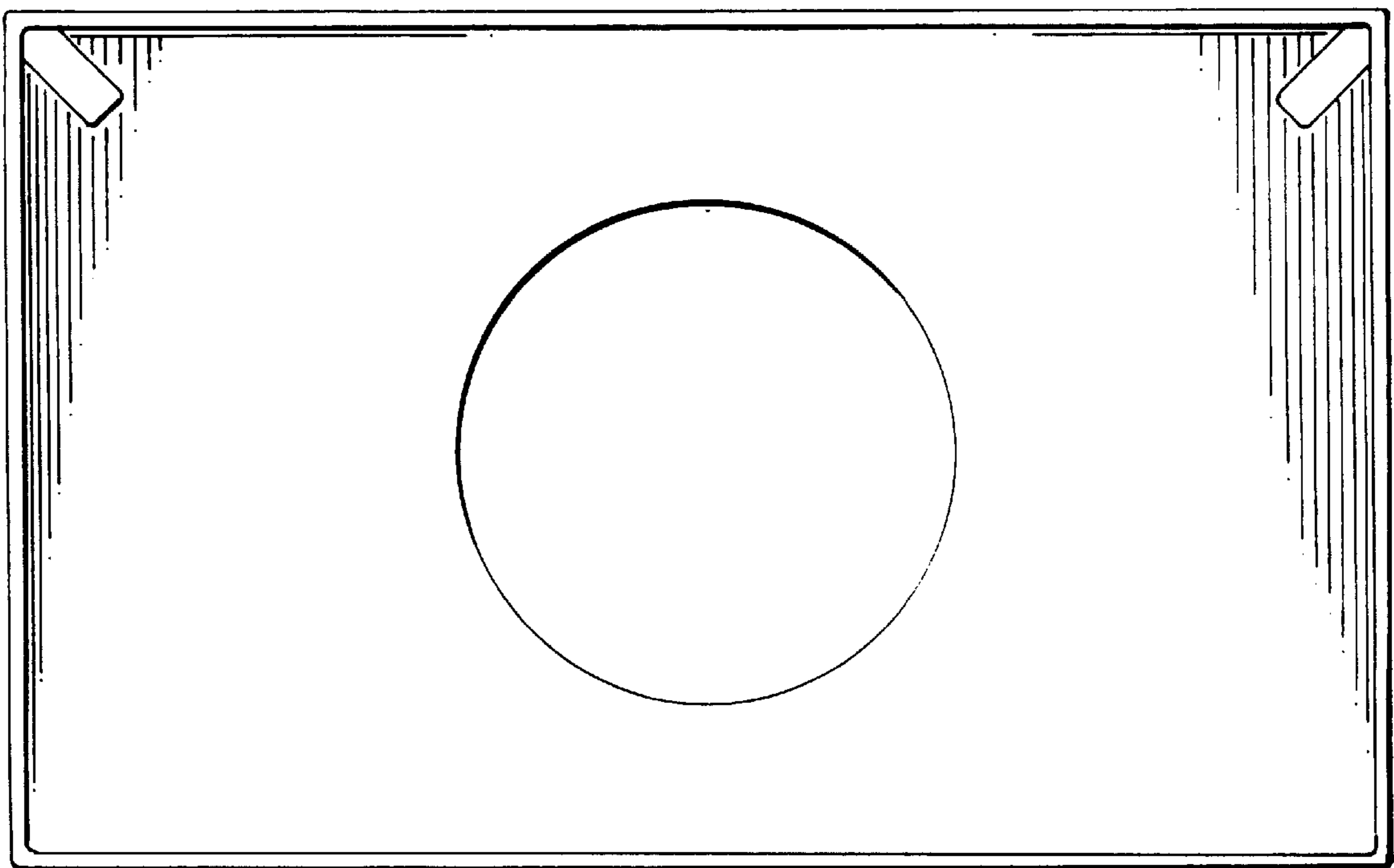


Fig. 18