



US00D424850S

United States Patent [19]

Handfield et al.

[11] Patent Number: **Des. 424,850**

[45] Date of Patent: **** May 16, 2000**

[54] **PILL DISPENSER**

[76] Inventors: **Michael Handfield; Helene Laliberte**,
both of 910 Sherwood Ct., Rochester,
Mich. 48307

[**] Term: **14 Years**

[21] Appl. No.: **29/080,881**

[22] Filed: **Dec. 18, 1997**

[51] **LOC (7) Cl.** **06-99**

[52] **U.S. Cl.** **D6/515; D6/515**

[58] **Field of Search** D9/337-339, 341,
D9/414; D6/515, 517; D7/309, 589, 590;
221/66, 208, 255, 256, 282, 285, 286; 99/279

[56] **References Cited**

U.S. PATENT DOCUMENTS

- D. 185,626 7/1959 Craig et al. D6/515
- D. 246,489 11/1977 Cunningham .
- D. 273,805 5/1984 Filhol .
- D. 289,738 5/1987 Mclaughlin et al. D9/414
- D. 328,133 7/1992 Kaufman et al. .

- D. 341,777 11/1993 Sheu .
- D. 342,671 12/1993 Elliott .
- D. 358,986 6/1995 Heyl et al. .
- D. 365,962 1/1996 Amundsen et al. D7/589
- D. 380,378 7/1997 Wood .
- 5,582,323 12/1996 Kurtenbach .
- 5,660,305 8/1997 Lasher et al. .

Primary Examiner—Ted Shooman
Assistant Examiner—Carol Rademaker
Attorney, Agent, or Firm—Brooks & Kushman P.C.

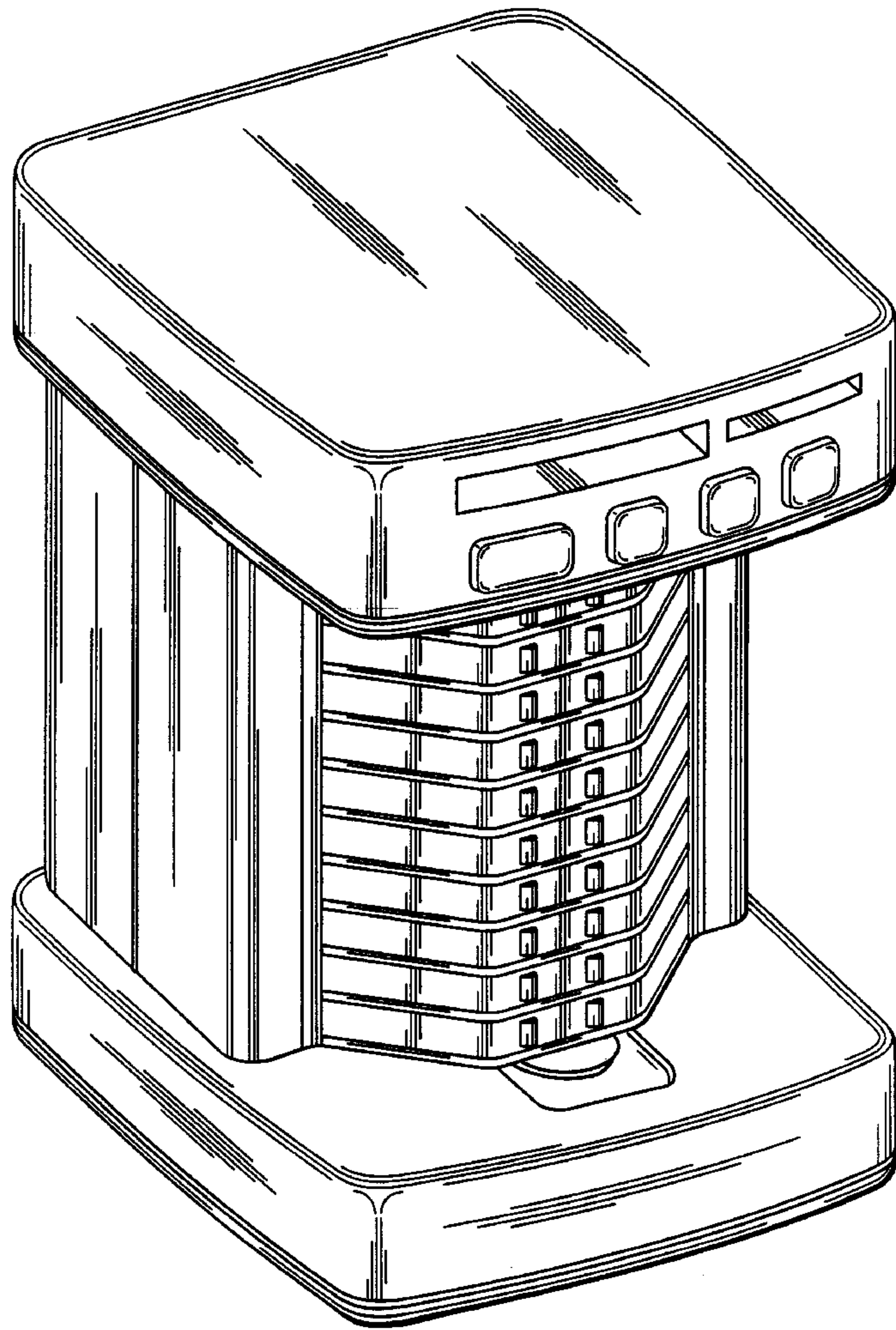
[57] **CLAIM**

The ornamental design for a pill dispenser, as shown and described.

DESCRIPTION

FIG. 1 is a perspective view of our pill dispenser;
FIG. 2 is a front side elevational view;
FIG. 3 is a rear side elevational view;
FIG. 4 is a top plan view;
FIG. 5 is a bottom plan view;
FIG. 6 is a left side elevational view; and,
FIG. 7 is a right side elevational view.

1 Claim, 4 Drawing Sheets



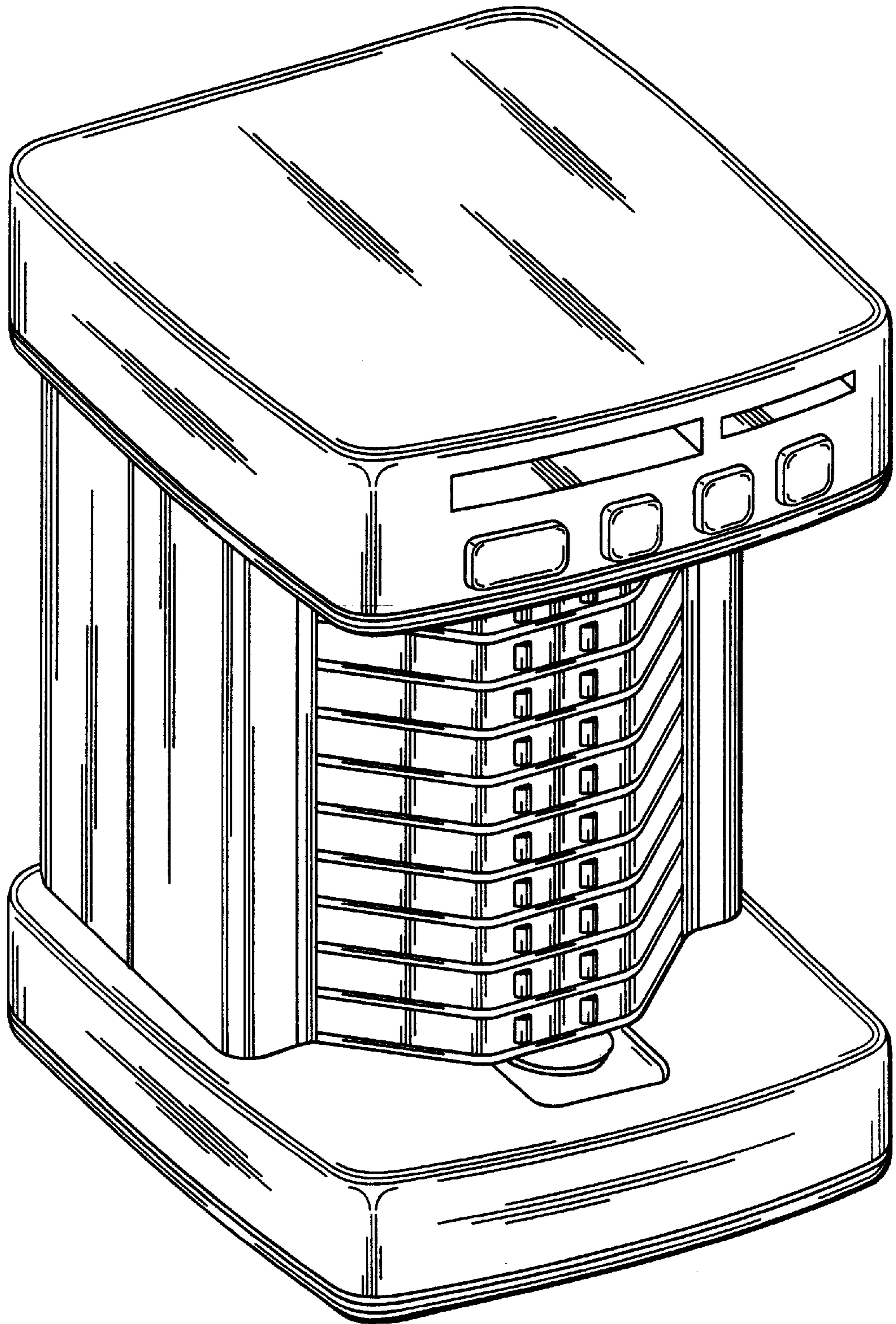


Fig. 1

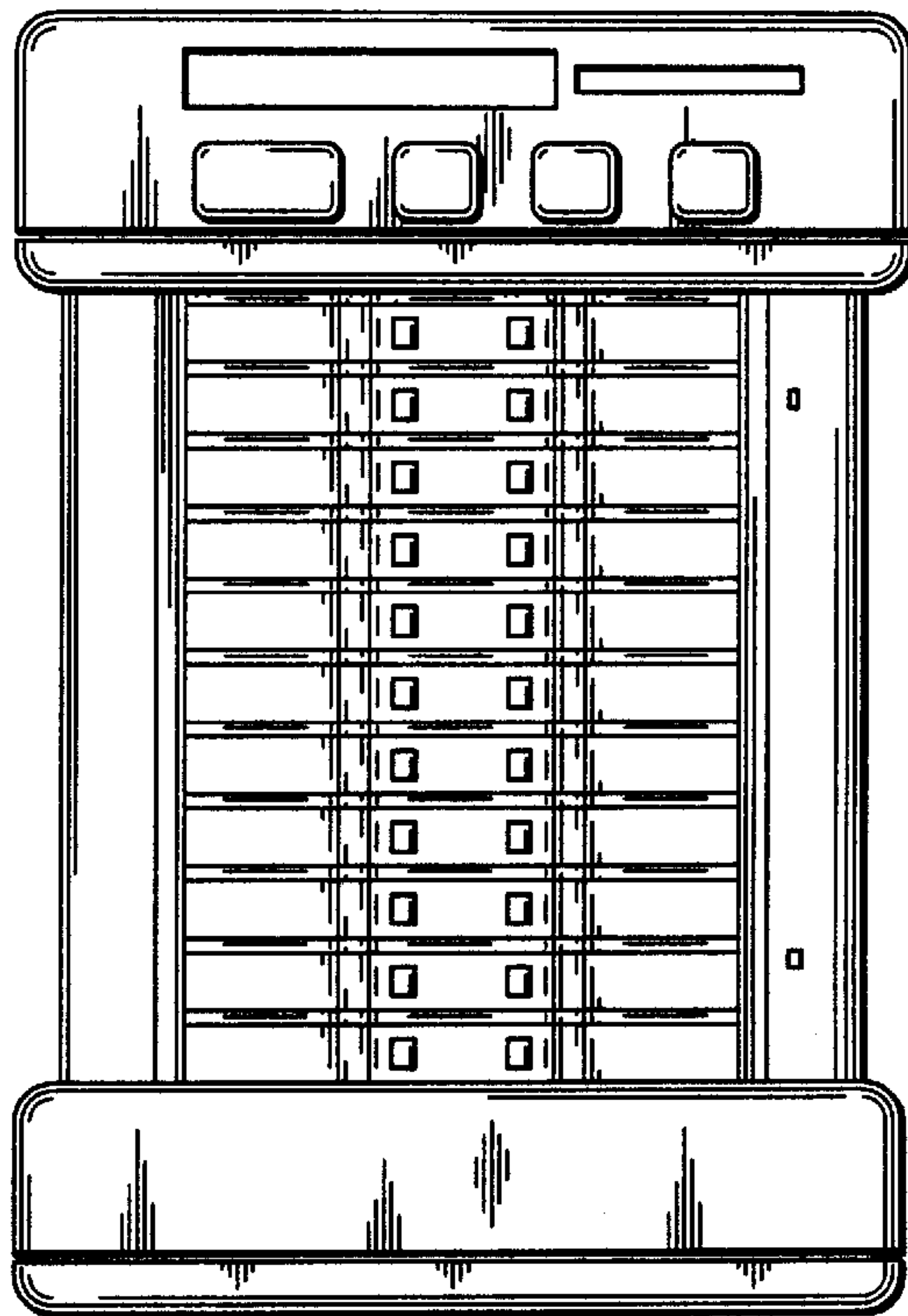


Fig. 2

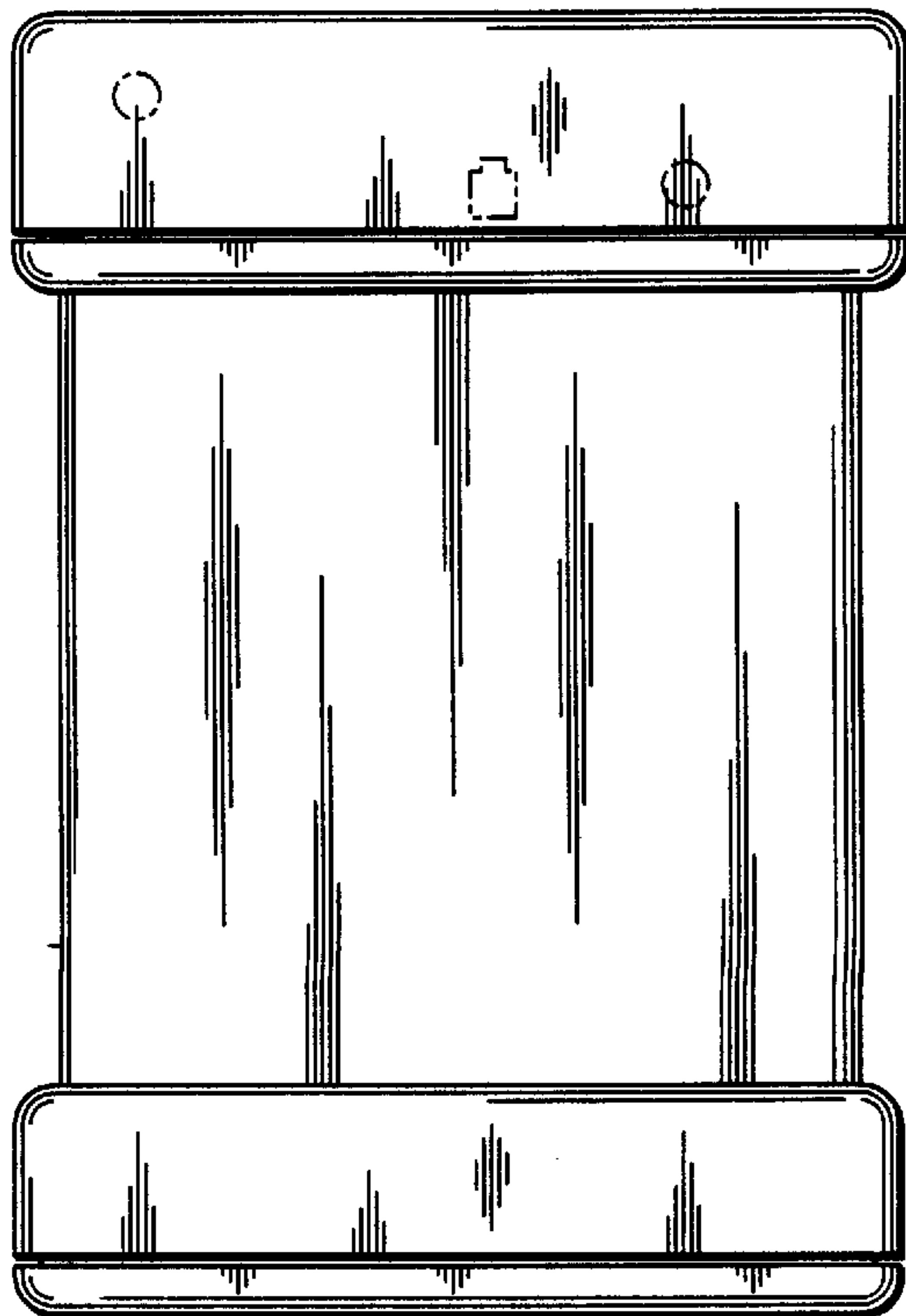


Fig. 3

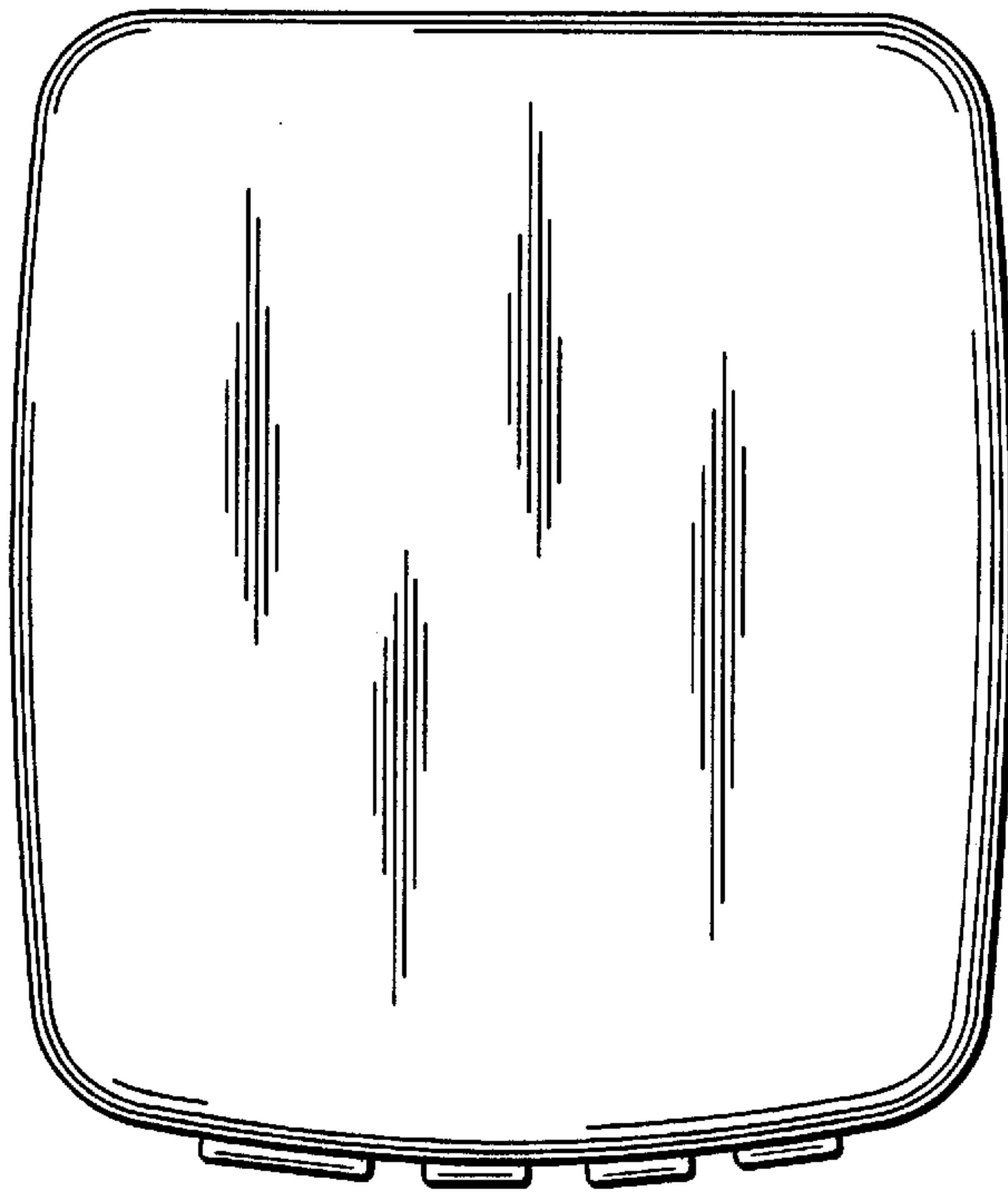


Fig. 4

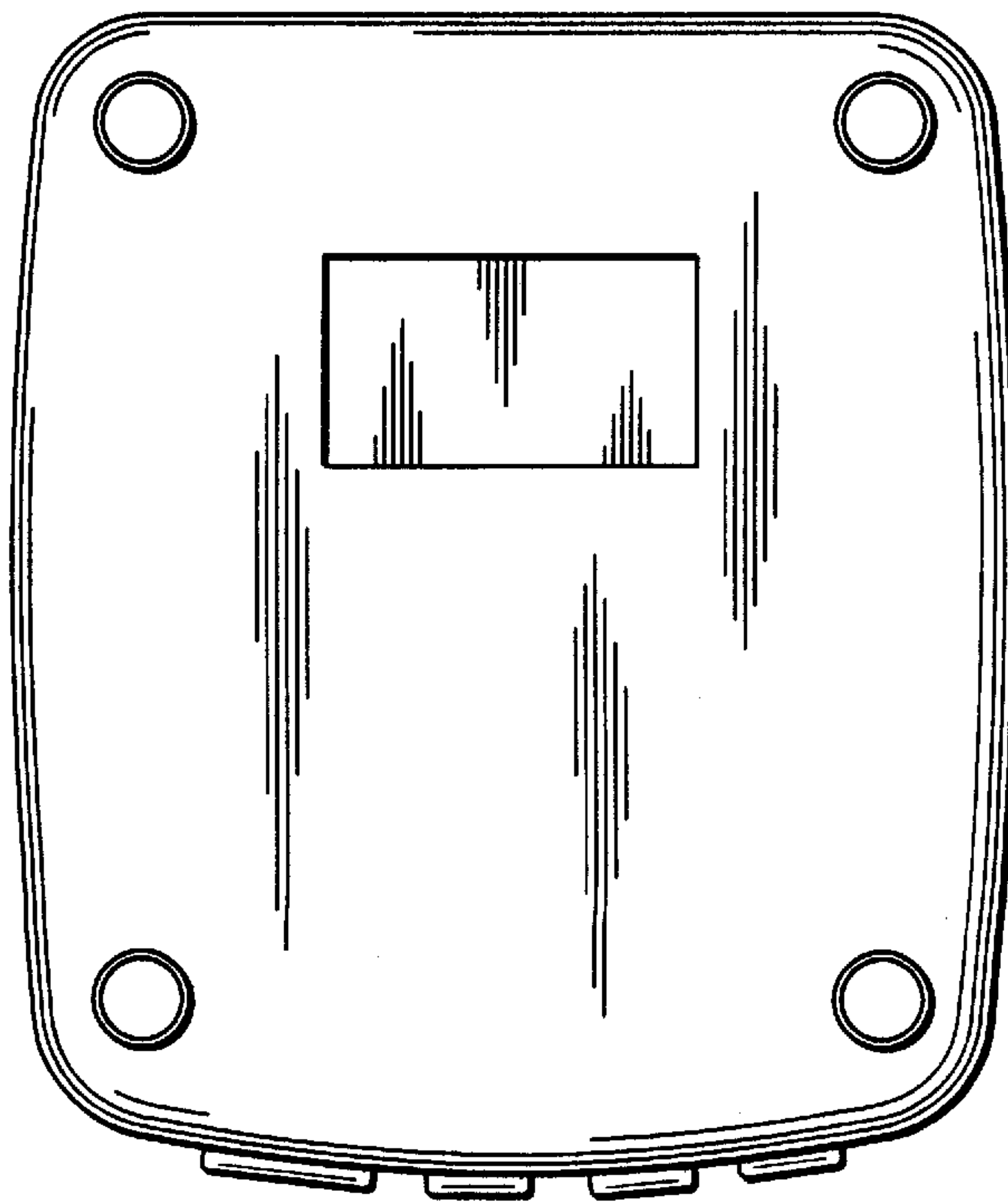


Fig. 5

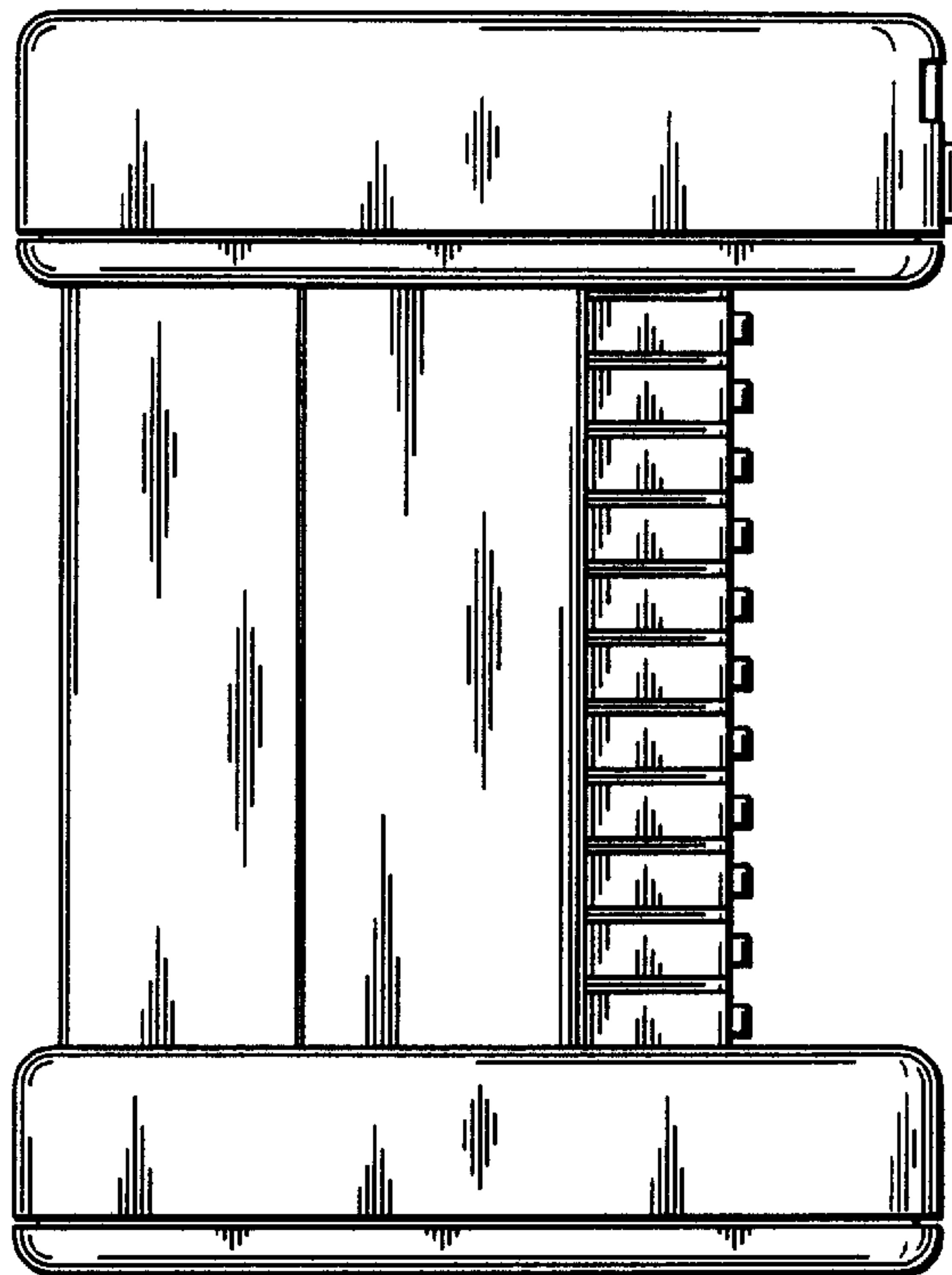


Fig. 6

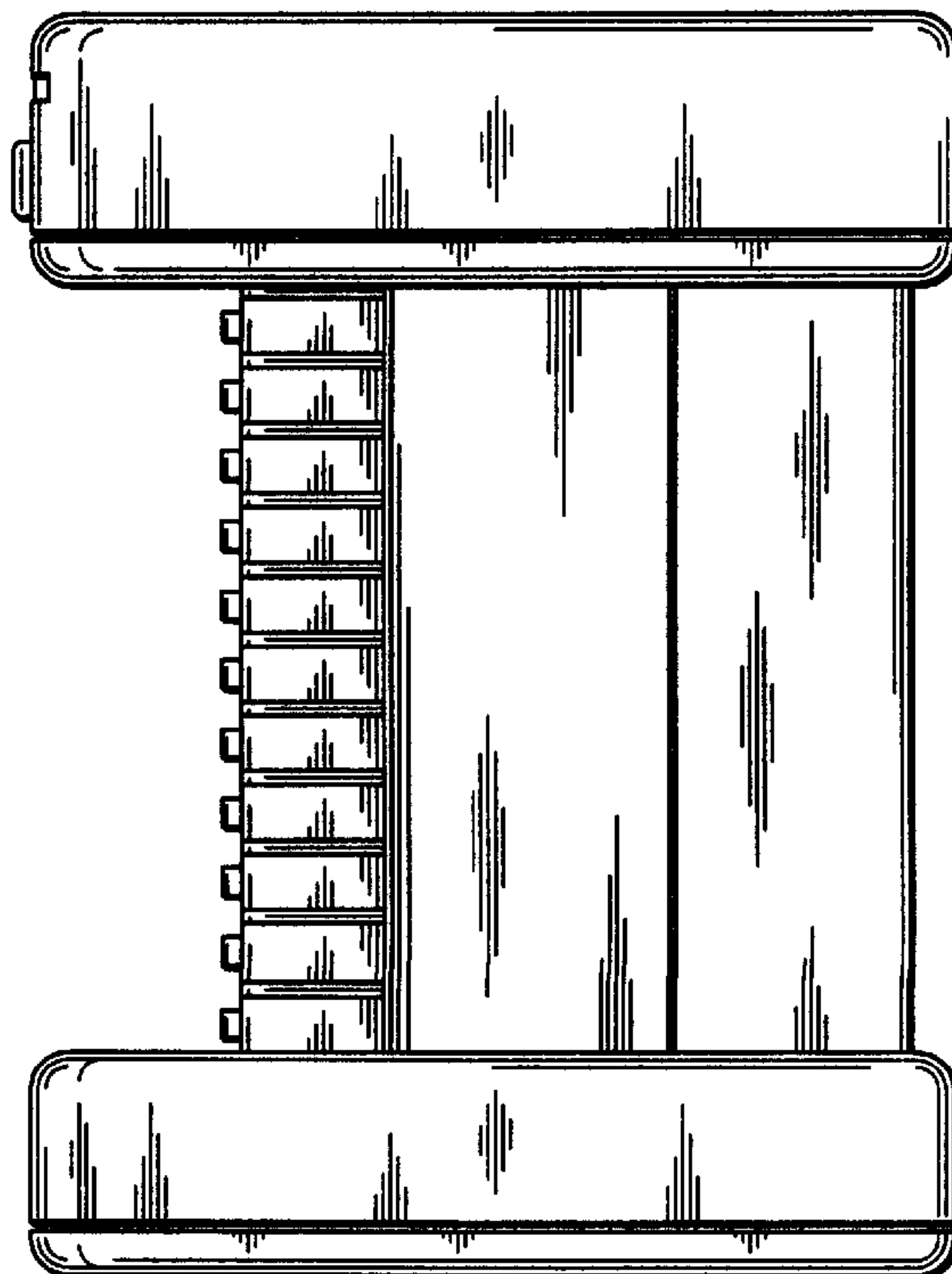


Fig. 7