



US00D424849S

United States Patent [19]
Beckwith

[11] **Patent Number: Des. 424,849**

[45] **Date of Patent: ** May 16, 2000**

[54] **WAXPAPER DISPENSER**

D. 347,137 5/1994 McWhirter D6/567

[76] Inventor: **Darla L. Beckwith**, 1655 Bradywine Rd., #8314, West Palm Beach, Fla. 33409

Primary Examiner—Brian N. Vinson
Attorney, Agent, or Firm—M K Silverman

[**] Term: **14 Years**

[57] **CLAIM**

The waxpaper dispenser, as shown and described herein.

[21] Appl. No.: **29/102,653**

DESCRIPTION

[22] Filed: **Mar. 29, 1999**

[51] **LOC (7) Cl.** **07-07**

[52] **U.S. Cl.** **D6/512**

[58] **Field of Search** D6/512–518, 553, D6/567; D19/75, 86, 90–91; D3/35, 56; 211/13.1, 10, 11, 44, 45, 71, 86–87; 248/309.1; 206/233; 221/26, 33

FIG. 1 is a perspective view of my inventive waxpaper dispenser.

FIG. 2 is a front elevational view thereof.

FIG. 3 is a back elevational view of the novel wax paper dispenser.

FIG. 4 is a left side view, of which the right side is a mirror image thereof.

FIG. 5 is a top view of the dispenser; and,

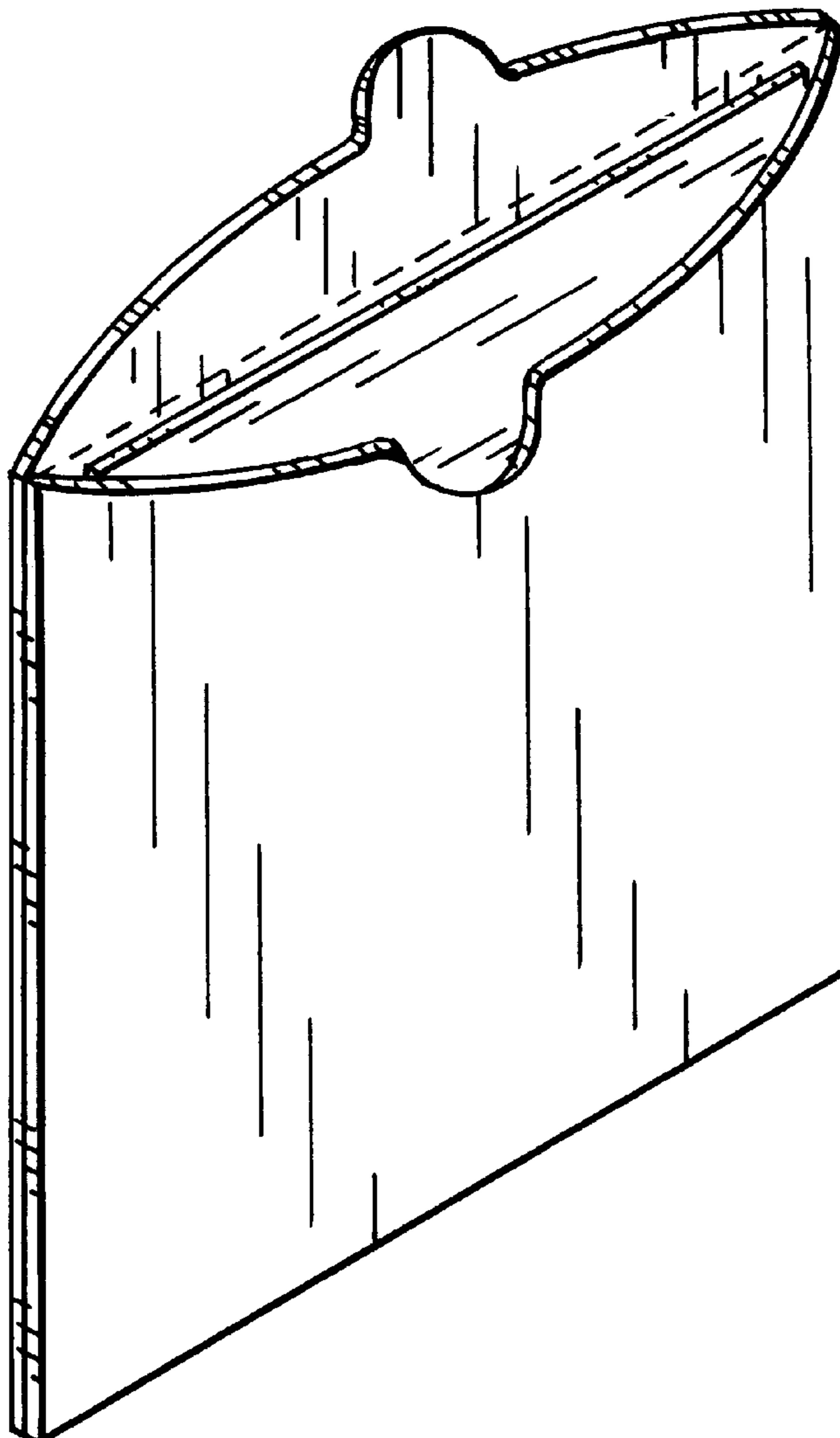
FIG. 6 is a bottom view thereof.

[56] **References Cited**

U.S. PATENT DOCUMENTS

D. 339,013 9/1993 Wright D6/513

1 Claim, 2 Drawing Sheets



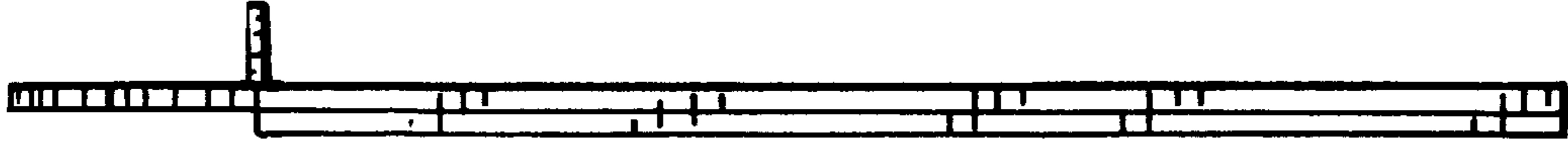


FIG. 4

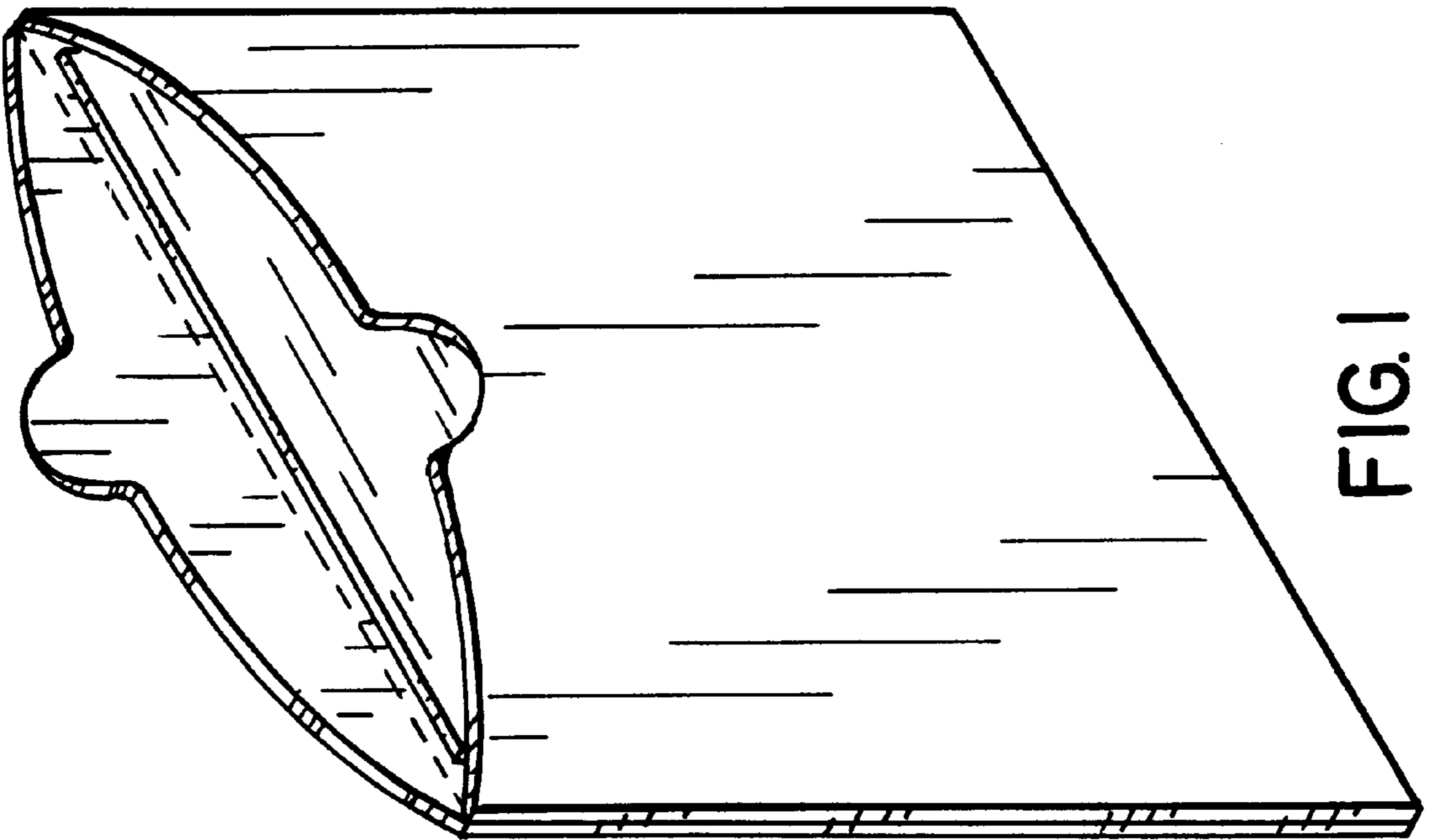


FIG. 1

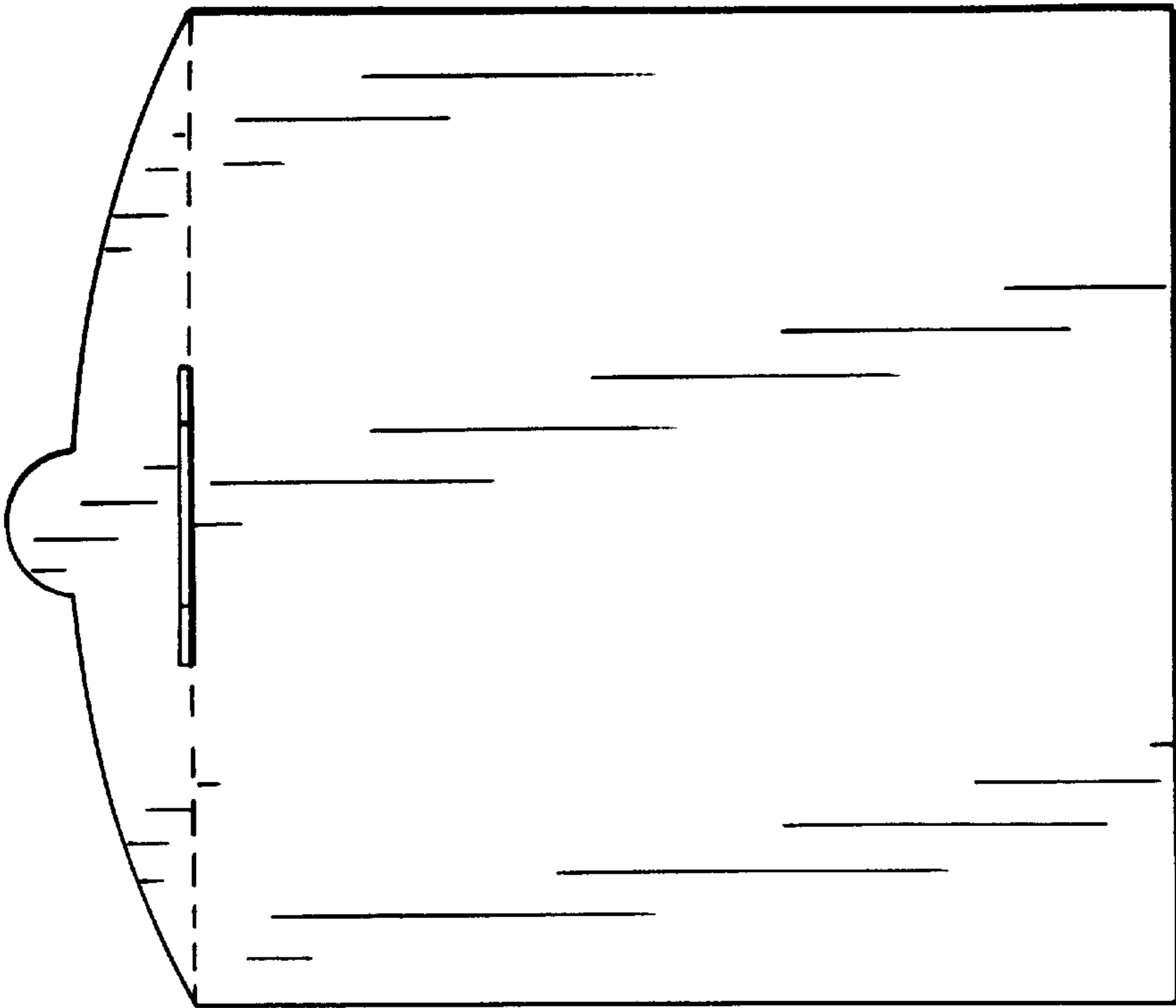


FIG. 3

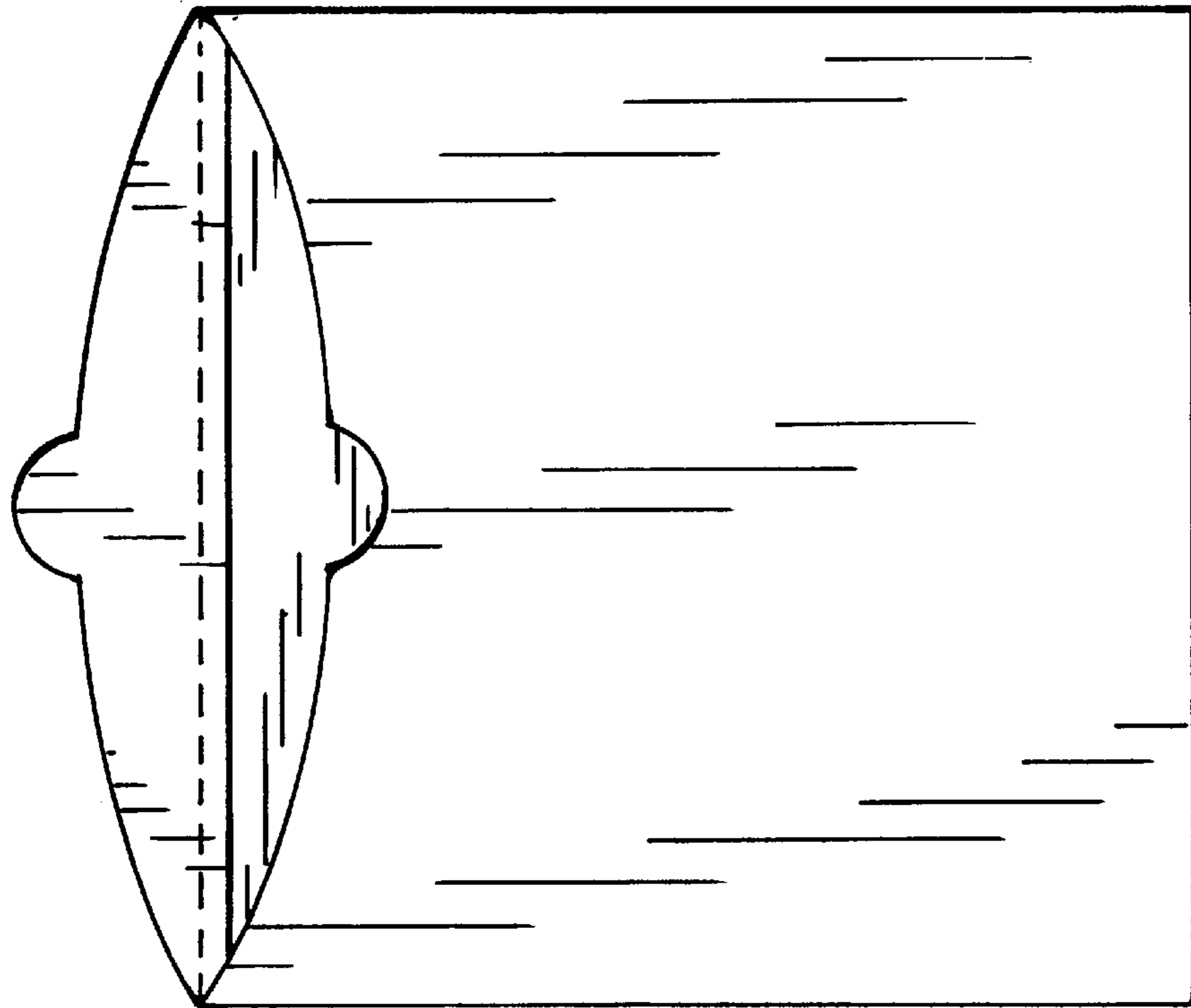


FIG. 2



FIG. 6

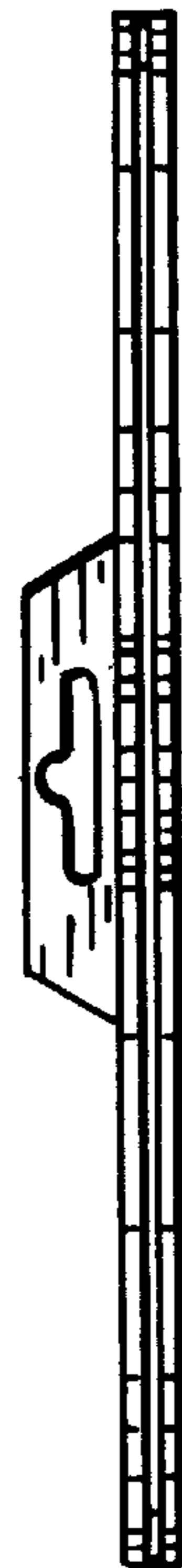


FIG. 5