



US00D424848S

United States Patent [19]

Draheim et al.

[11] **Patent Number: Des. 424,848**

[45] **Date of Patent: ** May 16, 2000**

[54] **TOP RAIL FOR A CRIB ENDBOARD**

[75] Inventors: **Harvey J. Draheim**, Weyauwega; **Scott A. Krueger**, Appleton, both of Wis.

[73] Assignee: **Simmons Juvenile Products Company, Inc.**, New London, Wis.

[**] Term: **14 Years**

[21] Appl. No.: **29/108,174**

[22] Filed: **Jul. 21, 1999**

[51] **LOC (7) Cl.** **06-01**

[52] **U.S. Cl.** **D6/505; D6/508**

[58] **Field of Search** D6/382, 385, 388-395, D6/505-508; 5/53.1, 279.1, 280, 281, 93.1, 93.2, 101, 105

[56] **References Cited**

U.S. PATENT DOCUMENTS

- D. 395,565 6/1998 Brunner et al. D6/505
- D. 399,083 10/1998 Draheim D6/508

OTHER PUBLICATIONS

Simmons Little Folks, Cat. #82, 1973, p. 12, crib endboard at far right.

Primary Examiner—Janice E. Seeger
Attorney, Agent, or Firm—Hoffmann & Baron, LLP

[57] **CLAIM**

The ornamental design of a top rail for a crib endboard, as shown and described.

DESCRIPTION

FIG. 1 is a top perspective view of a top rail for a crib endboard showing our new design; FIG. 2 is a top plan view thereof; FIG. 3 is a front elevation view thereof; FIG. 4 is a side elevation view thereof, the opposite side being a mirror image thereof; and, FIG. 5 is a sectional view taken along line 5—5 of FIG. 3. The rear and bottom views form no part of the claimed design. The subject matter shown in broken lines forms no part of the claimed design.

1 Claim, 5 Drawing Sheets

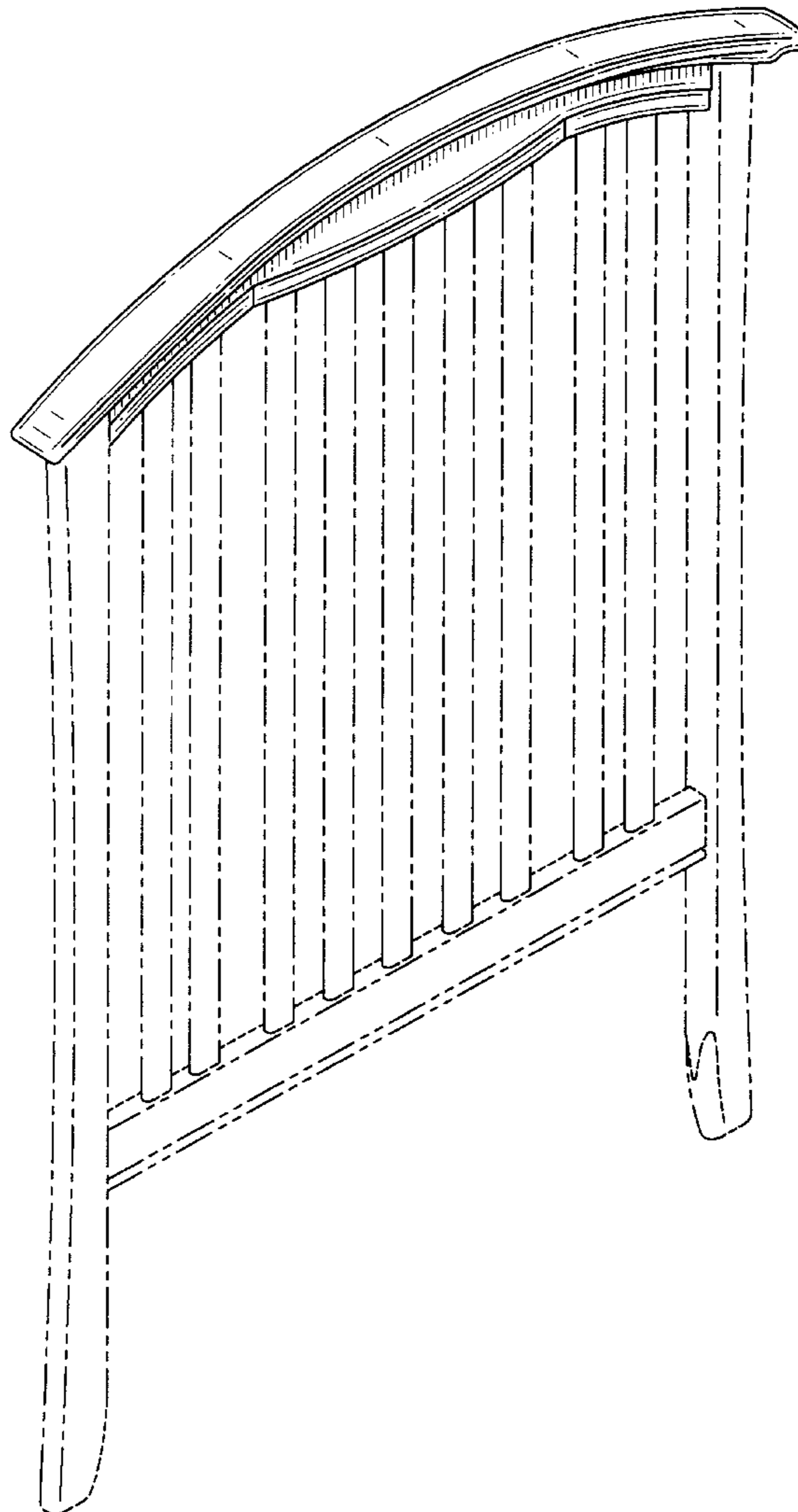


FIG-1

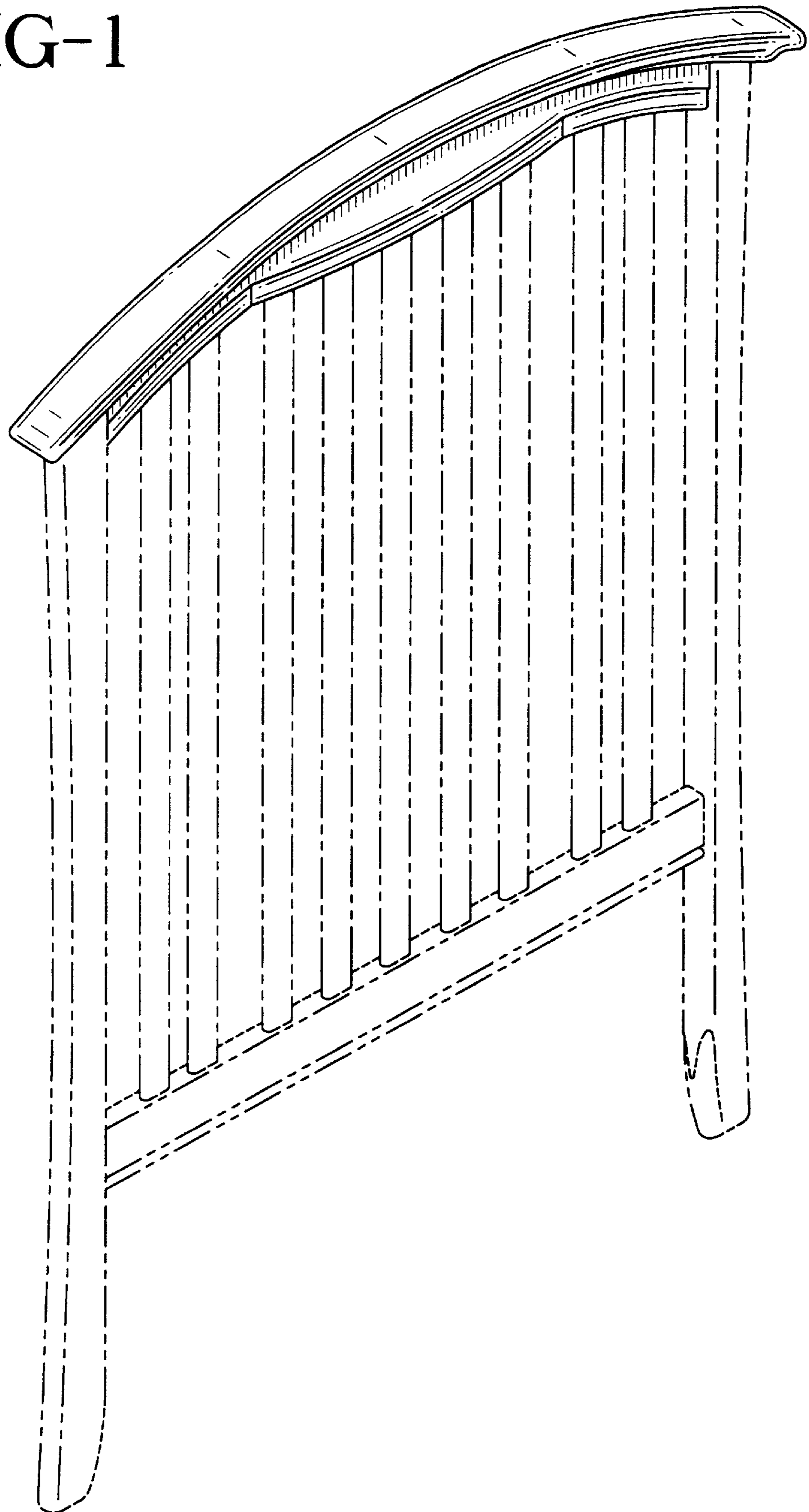


FIG-2



FIG-3

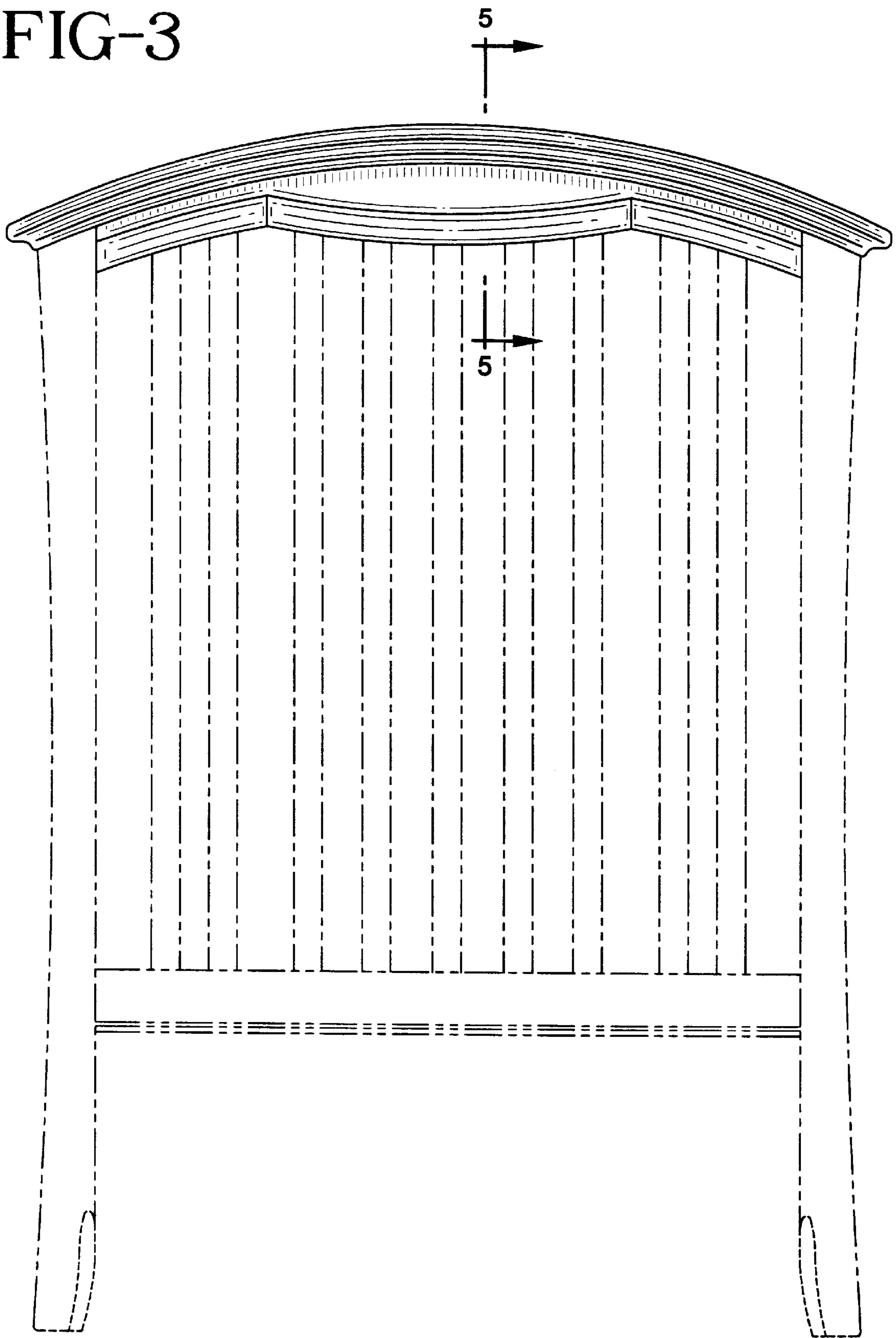


FIG-4



FIG-5

