



US00D424847S

# United States Patent [19] Lin

[11] **Patent Number: Des. 424,847**

[45] **Date of Patent: \*\* May 16, 2000**

[54] **ARMREST FOR CHAIRS**

[76] Inventor: **Cheng-Ying Lin**, P.O. Box 63-247,  
Taichung, Taiwan

[\*\*] Term: **14 Years**

[21] Appl. No.: **29/110,598**

[22] Filed: **Sep. 9, 1999**

[51] **LOC (7) Cl. .... 06-06**

[52] **U.S. Cl. .... D6/501; D6/366**

[58] **Field of Search .... D6/334, 335, 364,  
D6/365, 366, 367, 379, 500, 501, 502;  
297/411.2, 411.27, 411.28**

[56] **References Cited**

**U.S. PATENT DOCUMENTS**

D. 366,792	2/1996	McDiarmid	.....	D6/501
D. 382,738	8/1997	Chen	.....	D6/501
D. 388,269	12/1997	Tedesco et al.	.....	D6/501
D. 403,185	12/1998	Tseng	.....	D6/501

D. 408,182	4/1999	Tseng	.....	D6/501
D. 410,159	5/1999	Wu	.....	D6/501
D. 417,106	11/1999	Lee	.....	D6/501

*Primary Examiner*—Gary D. Watson  
*Attorney, Agent, or Firm*—Alan Kamrath; Oppenheimer  
Wolff & Donnelly LLP

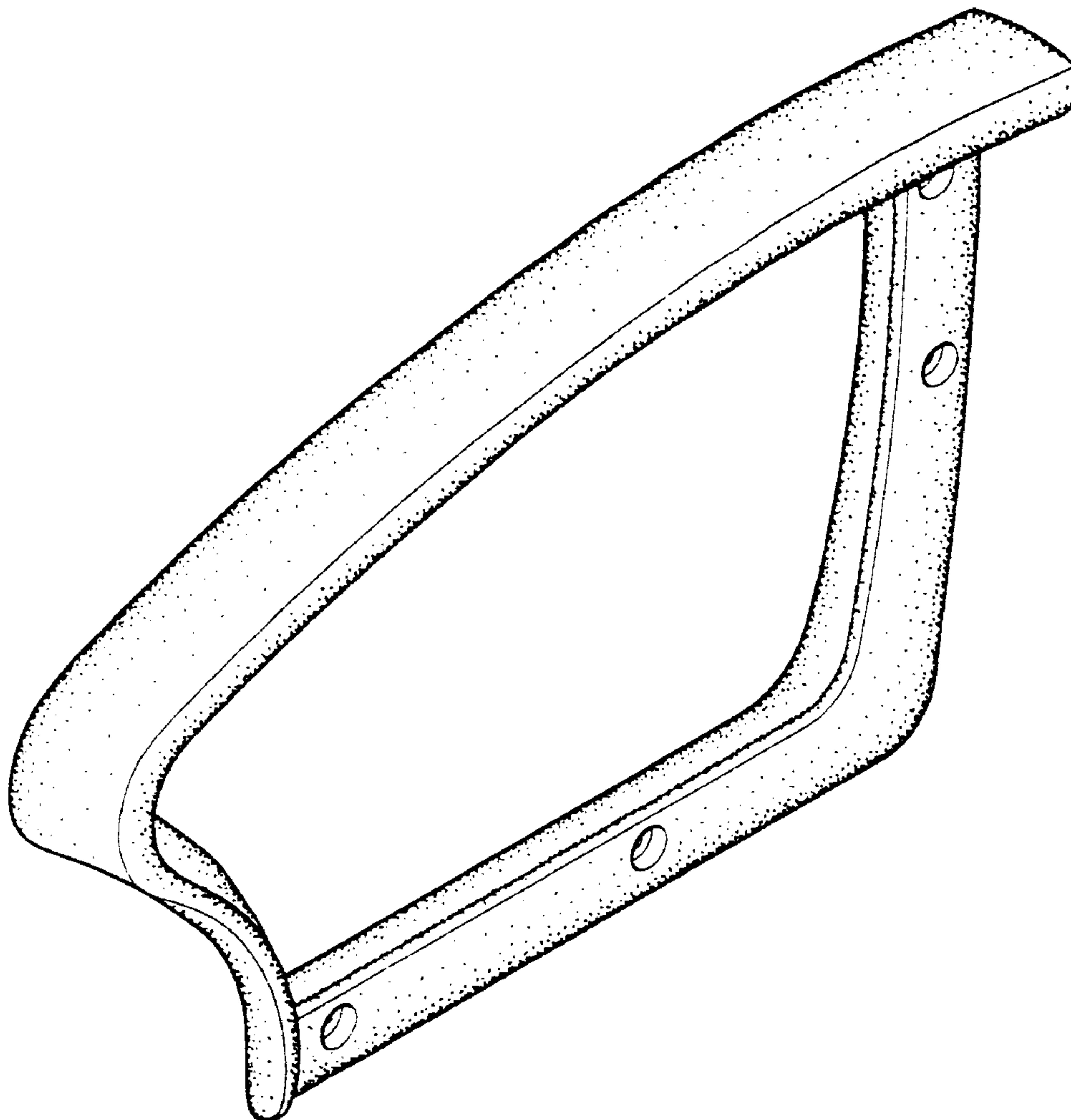
[57] **CLAIM**

The ornamental design for armrest for chairs, as shown and described.

**DESCRIPTION**

FIG. 1 is a perspective view of an armrest for chairs showing my new design;  
FIG. 2 is a front elevational view thereof;  
FIG. 3 is a rear elevational view thereof;  
FIG. 4 is a left elevational view thereof;  
FIG. 5 is a right elevational view thereof;  
FIG. 6 is a top plan view thereof; and,  
FIG. 7 is bottom plan view thereof.

**1 Claim, 3 Drawing Sheets**



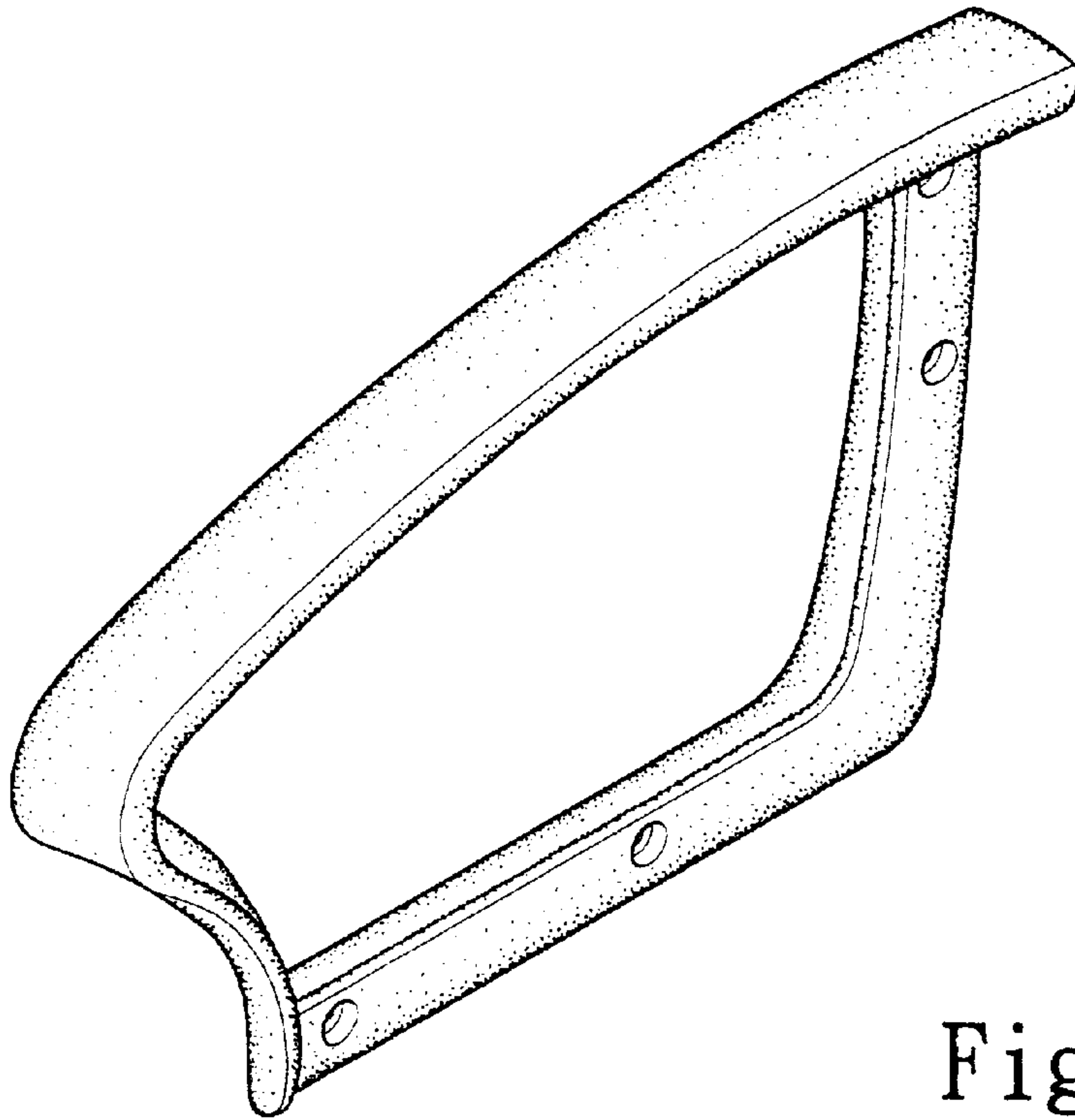


Fig. 1

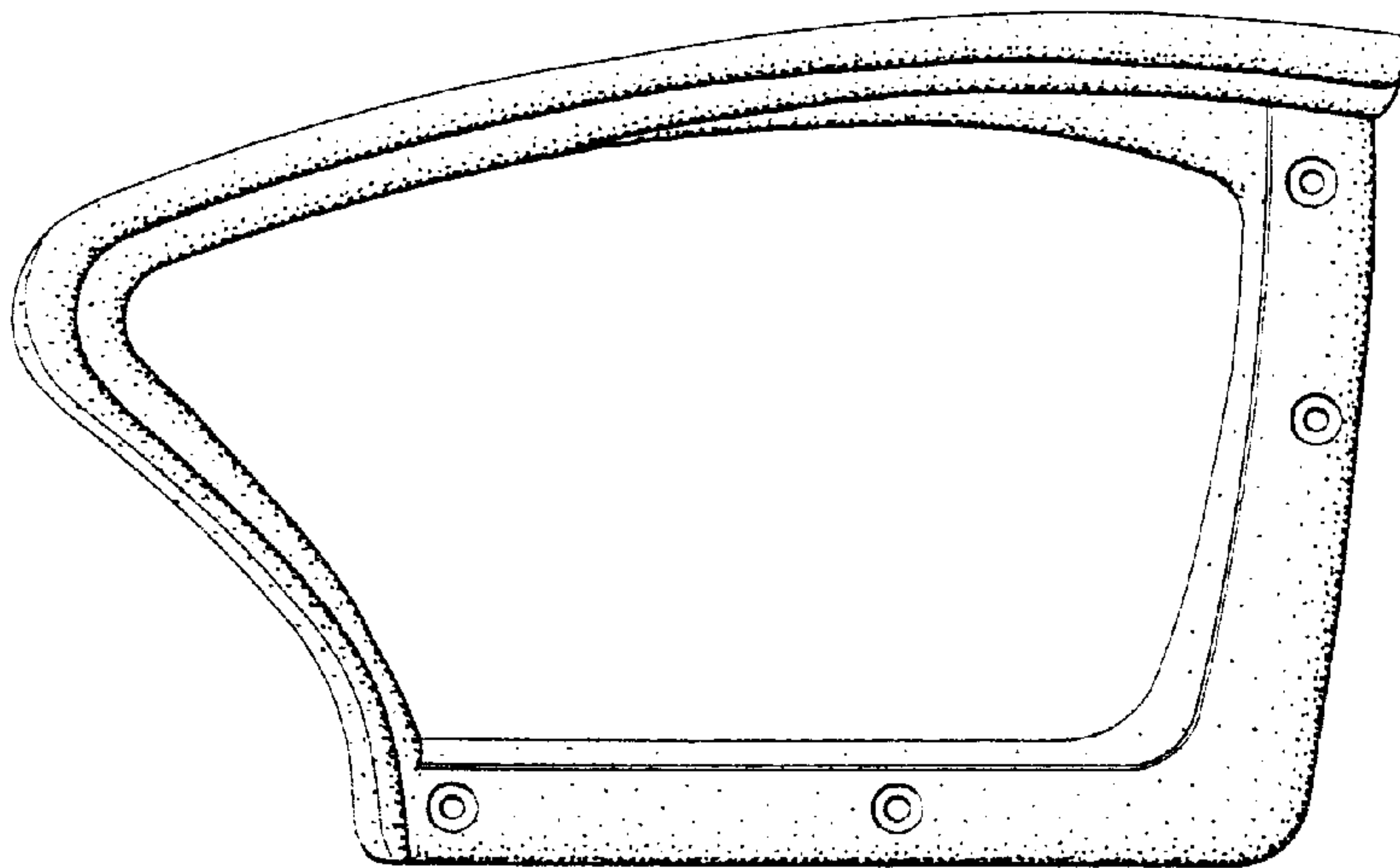


Fig. 2

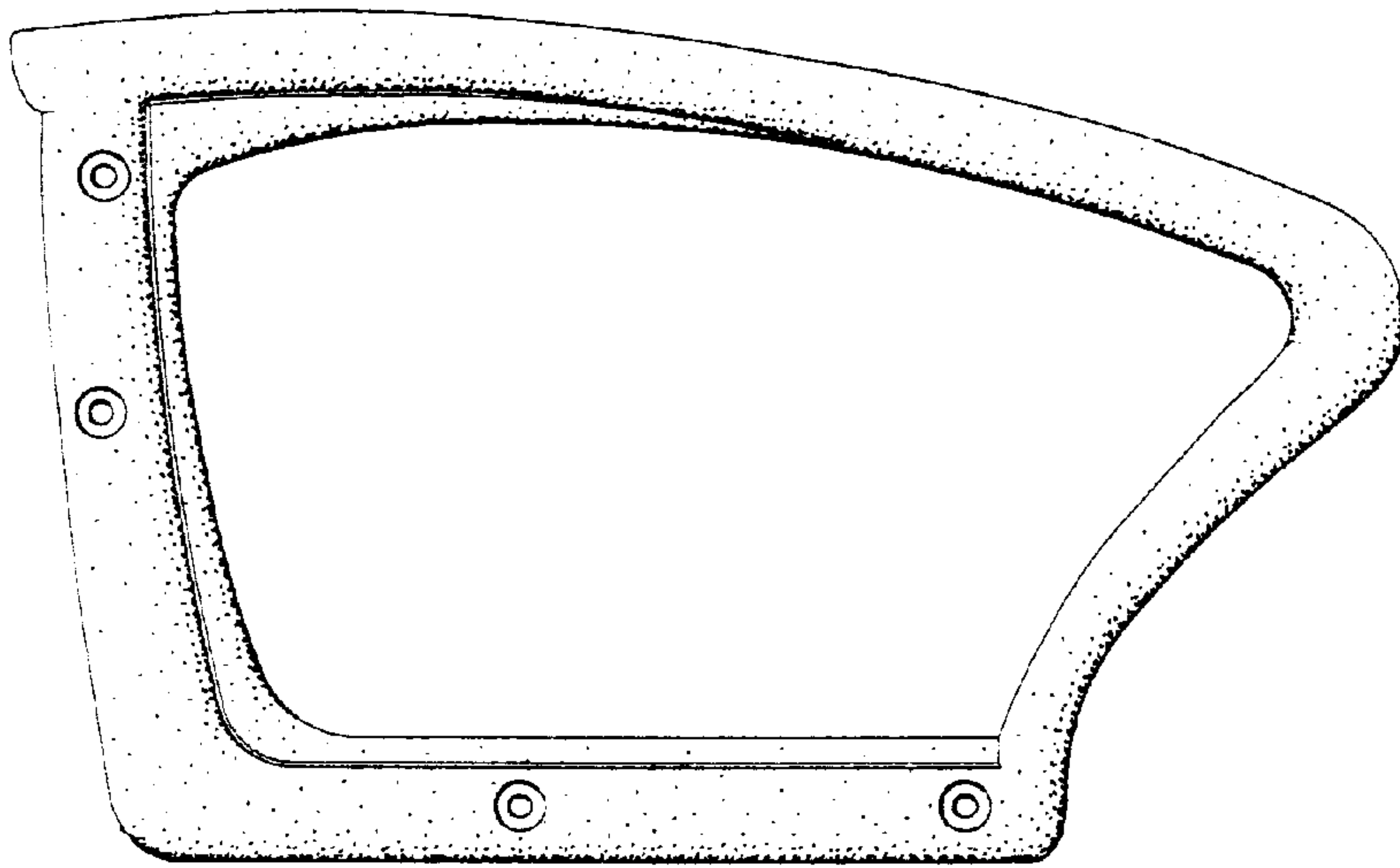


Fig. 3



Fig. 4



Fig. 5

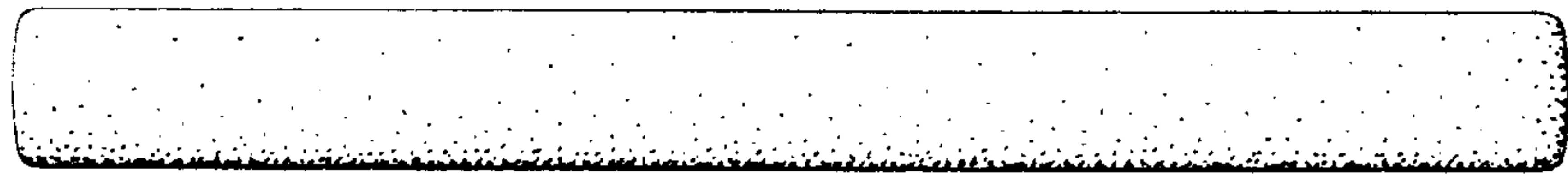


Fig. 6

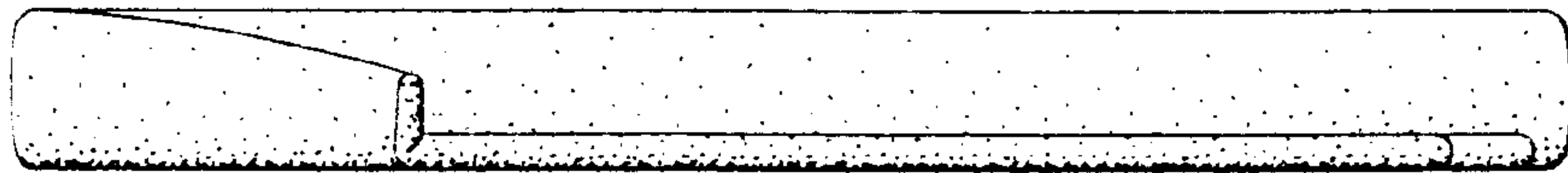


Fig. 7