



US00D424844S

# United States Patent [19] Gutgsell

[11] **Patent Number: Des. 424,844**

[45] **Date of Patent: \*\* May 16, 2000**

[54] **TABLE LEG SUPPORT**

D. 412,256 7/1999 Gutgsell ..... D6/495  
4,338,867 7/1982 Imber ..... 108/159

[76] Inventor: **David R. Gutgsell**, 1213 W. 36<sup>th</sup> St.,  
Jasper, Ind. 47546

*Primary Examiner*—Janice E. Seeger  
*Attorney, Agent, or Firm*—Baker & Daniels

[\*\*] Term: **14 Years**

[57] **CLAIM**

[21] Appl. No.: **29/106,132**

The ornamental design for a table leg support, as shown and described.

[22] Filed: **Jun. 9, 1999**

### DESCRIPTION

#### Related U.S. Application Data

FIG. 1 is a perspective view of a table leg support, showing my new design; the broken lines are for environmental purposes only and form no part of the claimed design.

[62] Division of application No. 29/087,418, May 1, 1998, Pat. No. Des. 412,256.

FIG. 2 is a side elevational view of the ornamental table support shown in FIG. 1, as viewed along one of the feet of the support. The side view is similar when viewed from any of the other feet of the ornamental table support.

[51] **LOC (7) Cl.** ..... **06-06**

[52] **U.S. Cl.** ..... **D6/498; D6/495**

FIG. 3 is a top elevational view of the ornamental table support shown in FIG. 1.

[58] **Field of Search** ..... D6/480-489, 495-499,  
D6/429; 108/150, 153.1, 156, 157.1, 158.11,  
161; 248/188, 188.1, 188.7, 188.8

FIG. 4 is a bottom elevational view of the ornamental table support shown in FIG. 1; and,

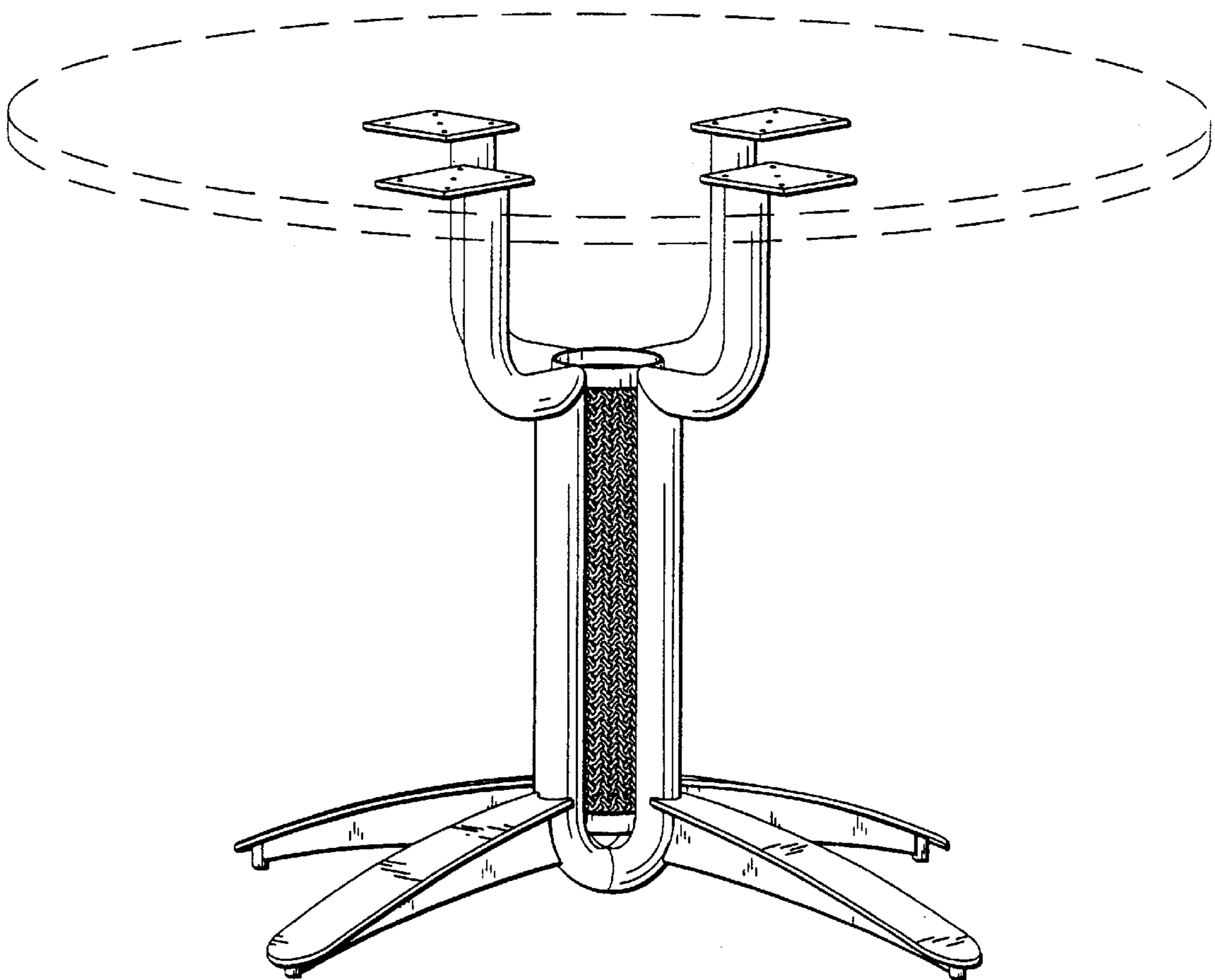
#### [56] **References Cited**

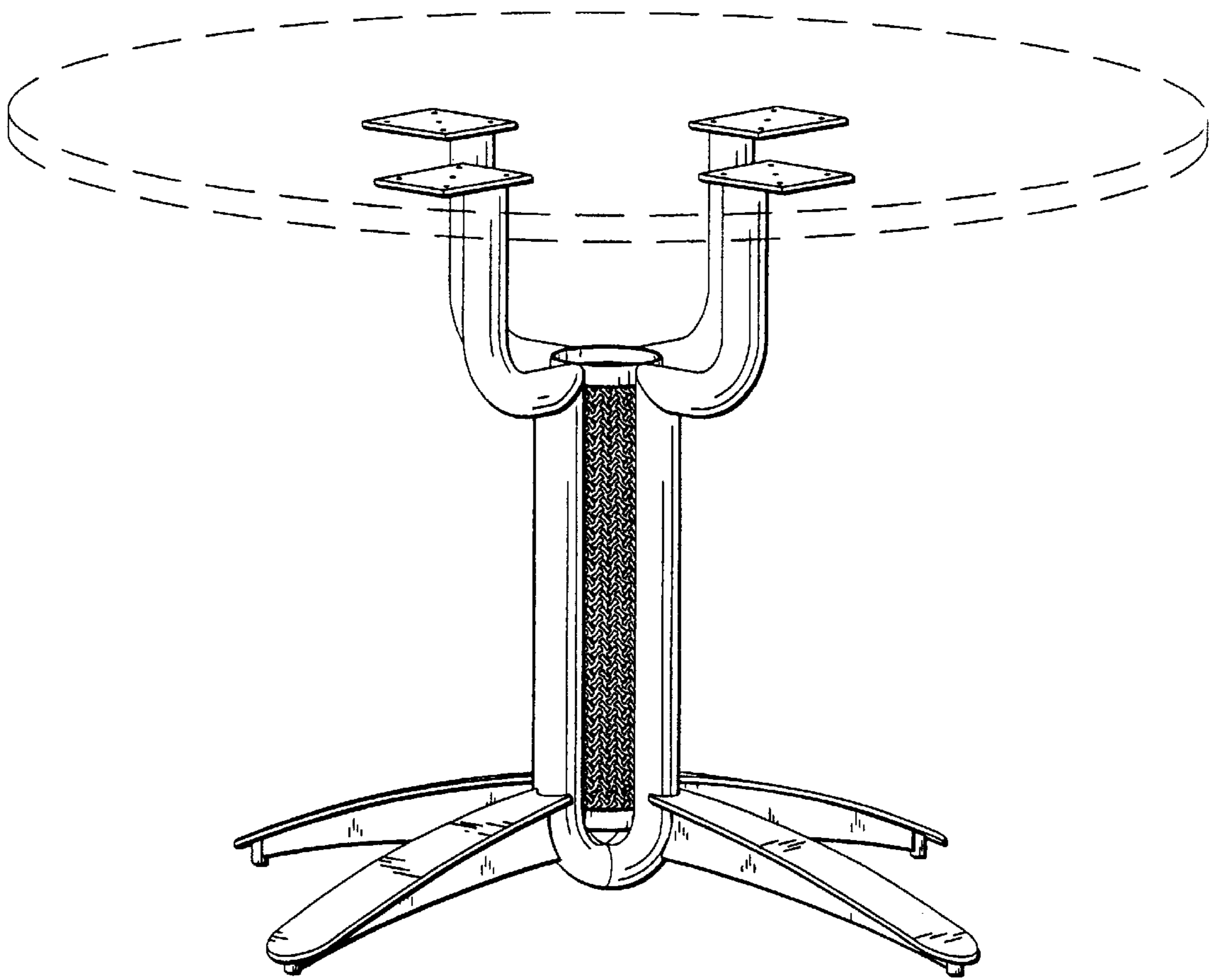
##### U.S. PATENT DOCUMENTS

FIG. 5 is an enlarged partial view of the central mesh feature of the ornamental leg support shown in FIG. 1.

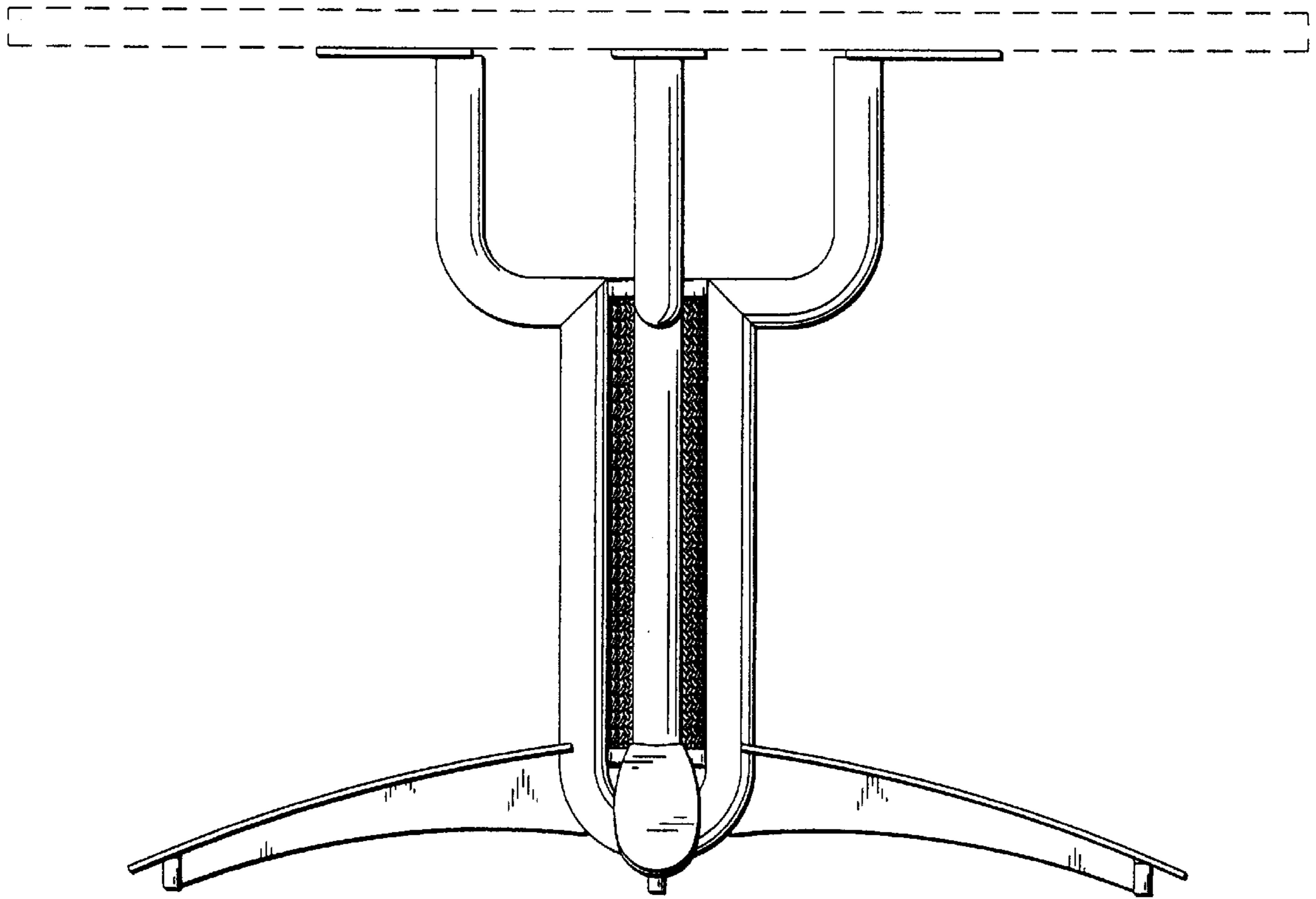
D. 27,272 6/1897 Hill ..... D6/496  
D. 318,967 8/1991 Murry ..... D6/495  
D. 406,206 3/1999 Grosfillex ..... D6/480

**1 Claim, 5 Drawing Sheets**

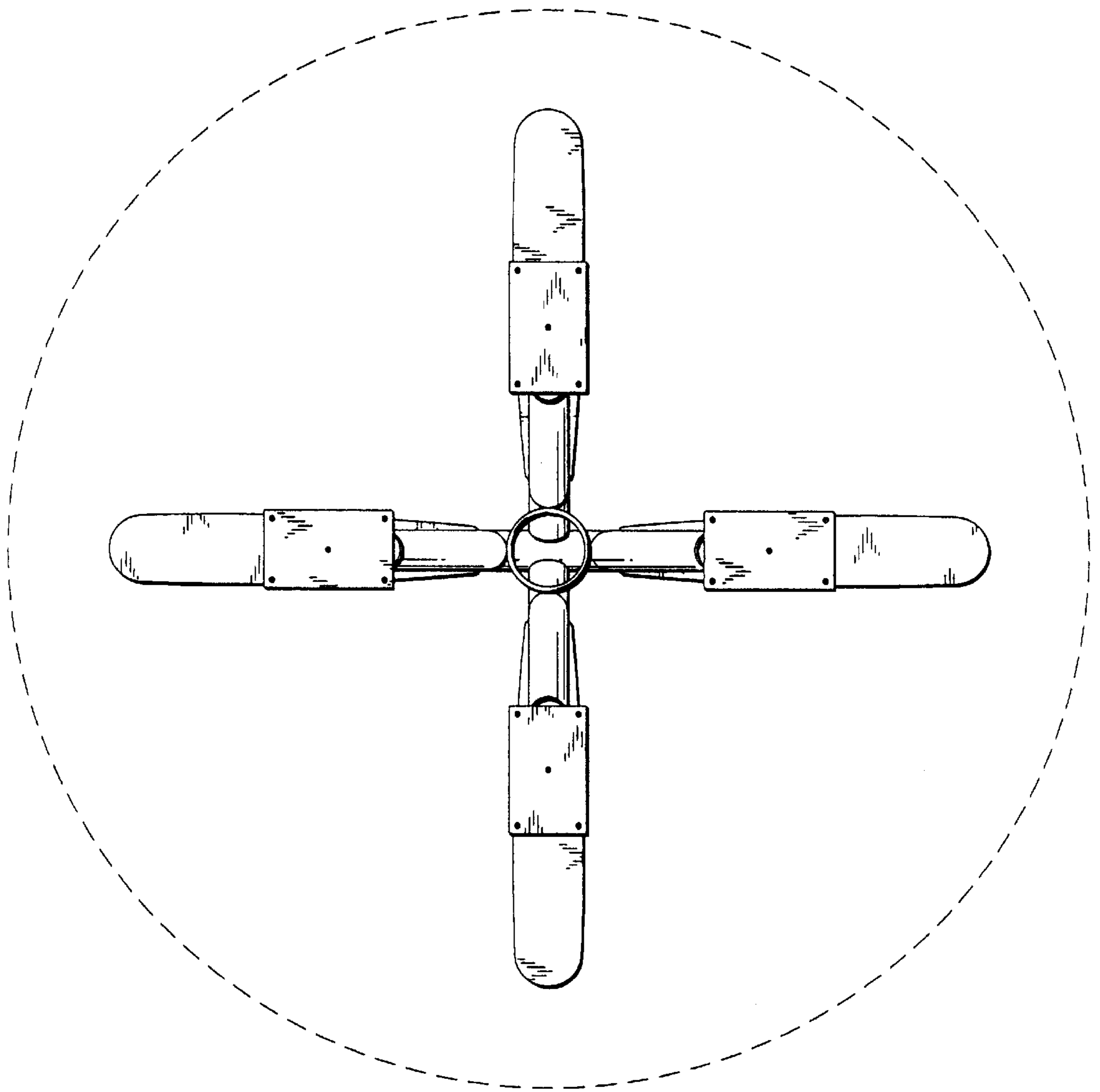




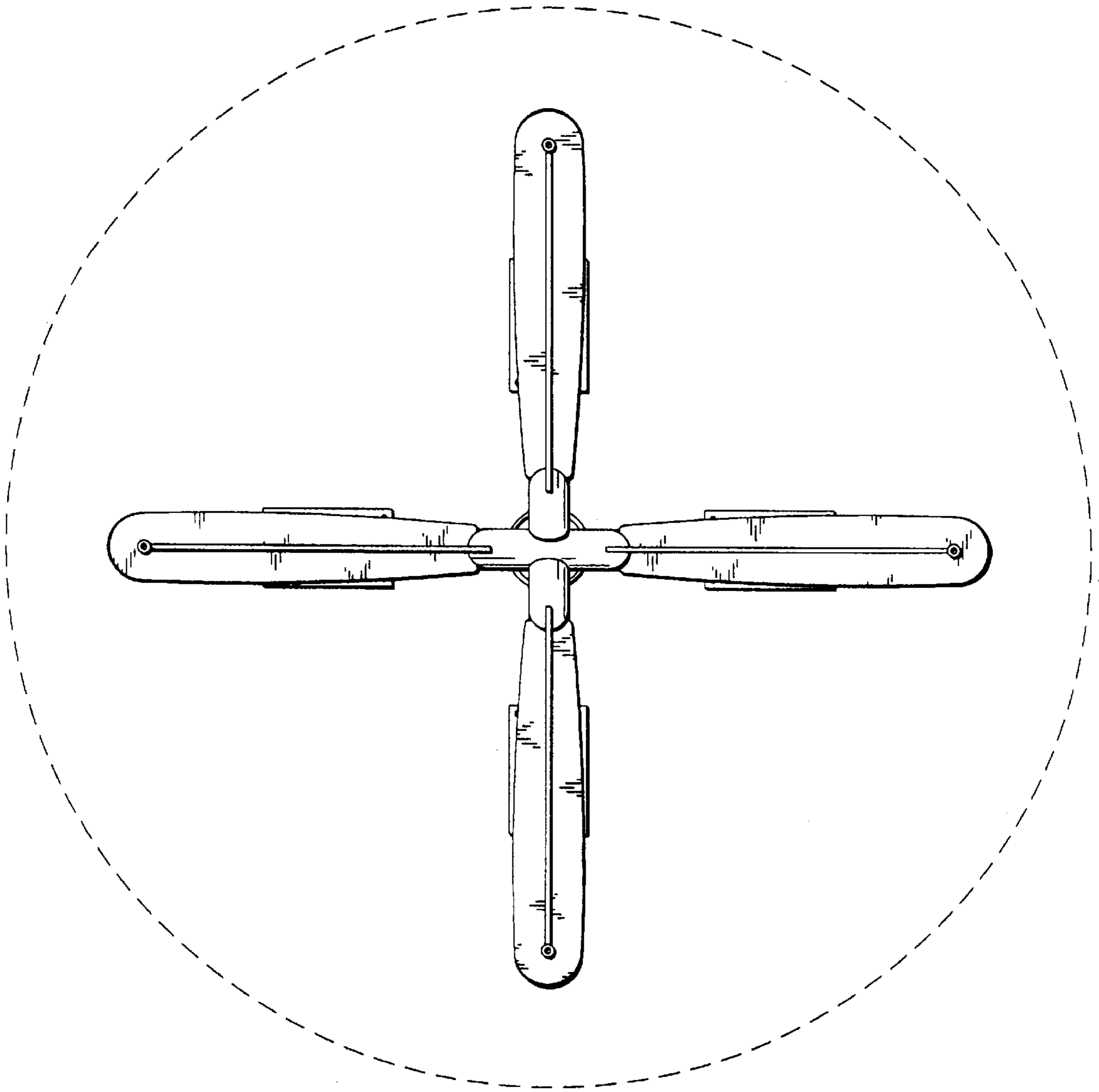
*Fig. 1*



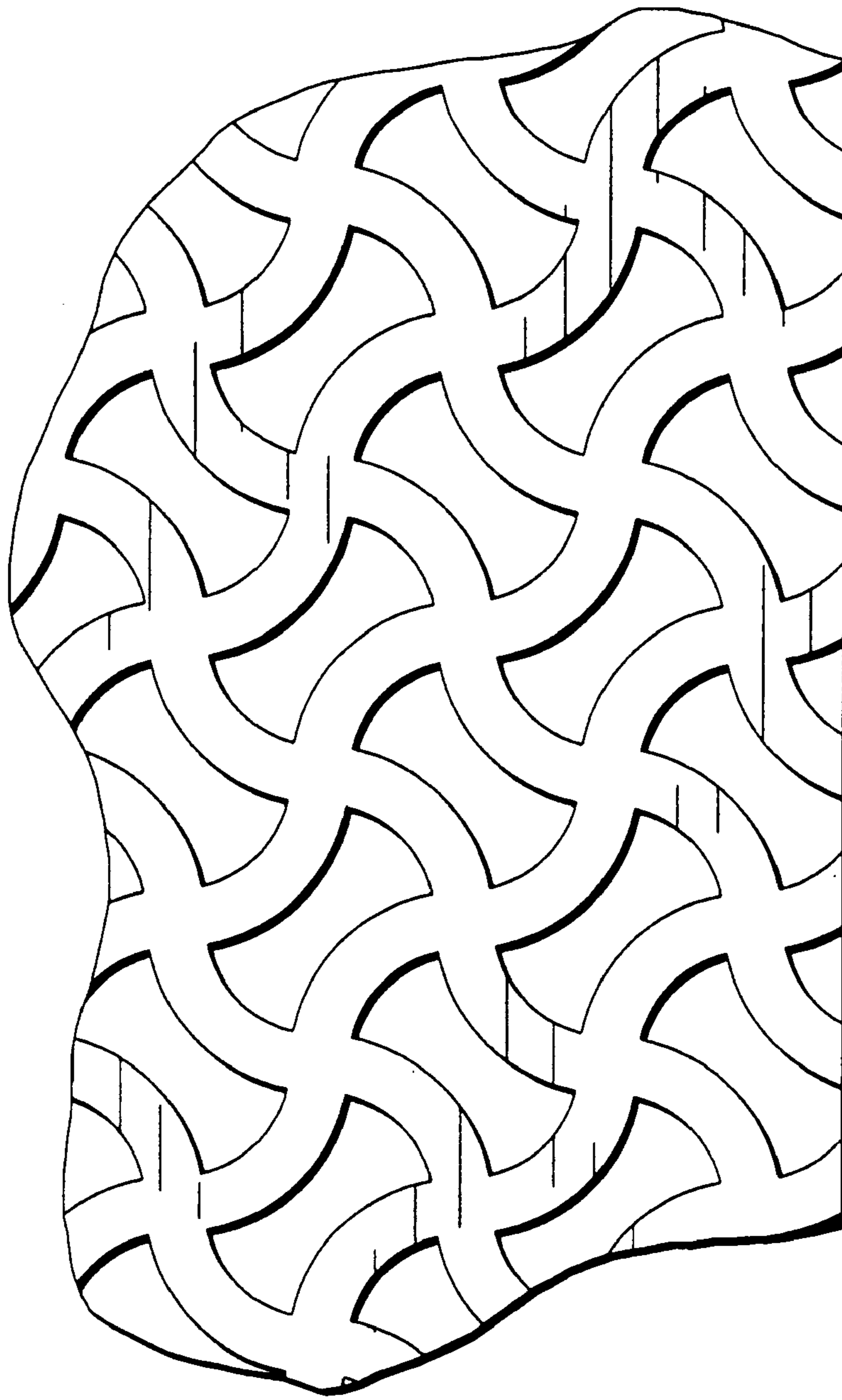
*Fig. 2*



*Fig. 3*



*Fig. 4*



*Fig. 5*