



US00D424843S

United States Patent [19]

Chalmers et al.

[11] Patent Number: Des. 424,843

[45] Date of Patent: ** May 16, 2000

[54] CHAIR LEGS AND ARM

[75] Inventors: **Richard R. Chalmers**, Camden;
Gilbert V. Harper, Cushing, both of Me.

[73] Assignee: **Imagineering, Inc.**, Rockland, Me.

[**] Term: **14 Years**

[21] Appl. No.: **29/110,603**

[22] Filed: **Sep. 9, 1999**

[51] LOC (7) Cl. **06-06**

[52] U.S. Cl. **D6/492; D6/379; D6/500; D6/501**

[58] Field of Search D6/334, 367, 368,
D6/370, 374, 375, 379, 380, 492, 500,
501, 502; 297/445.1, 446.1, 452.63

[56] **References Cited**

U.S. PATENT DOCUMENTS

| | | | | |
|------------|---------|---------|-------|--------|
| D. 109,239 | 4/1938 | Wolpin | | D6/370 |
| D. 334,299 | 3/1993 | Embree | | D6/379 |
| D. 384,511 | 10/1997 | Gresens | | D6/370 |

OTHER PUBLICATIONS

Thomas Moser Cabinet Makers, Catalog (1999), as early as Sep. 8, 1999, p. 2 of 3 here.

Imagineering, Inc., Drawing of Chair and Ottoman (c. 1997), as early as Sep. 8, 1999, 1 page.

The Adirondack Collection, Telescope Casual Catalog (1999), as early as Sep. 8, 1999, 4 pages.

Summit, Catalog, as early as Sep. 8, 1999, 2 pages.

Smith & Hawkins, Tranquility Catalog (Spring 1999), as early as Sep. 8, 1999, 2 pages.

Imagineering, Inc., Weatherend Estate Furniture Catalog (1999), as early as Sep. 8, 1999, 37 pages.

Primary Examiner—Gary D. Watson

Attorney, Agent, or Firm—Heslin & Rothenberg, P.C.

[57] **CLAIM**

The ornamental design for a chair legs and arm, as shown and described.

DESCRIPTION

FIG. 1 is a perspective view of a chair legs and arm comprising the new design;

FIG. 2 is a front view thereof;

FIG. 3 is a side view identical to the mirror image of the other side thereof;

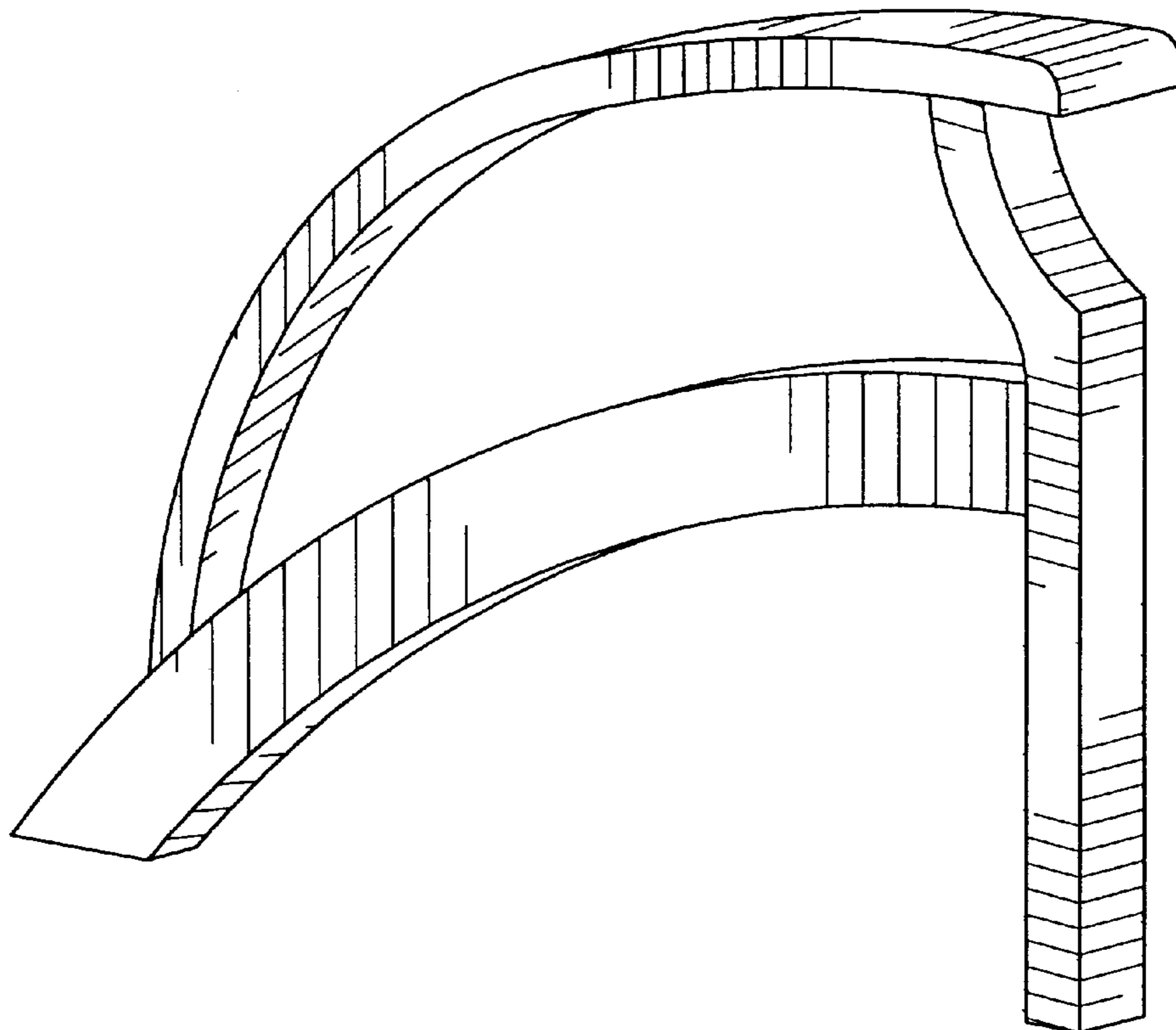
FIG. 4 is a back view thereof;

FIG. 5 is a top view thereof; and,

FIG. 6 is a perspective view from a rear angle.

FIGS. 2 through 5 have been shown on an enlarged scale with respect to FIGS. 1 and 6.

1 Claim, 6 Drawing Sheets



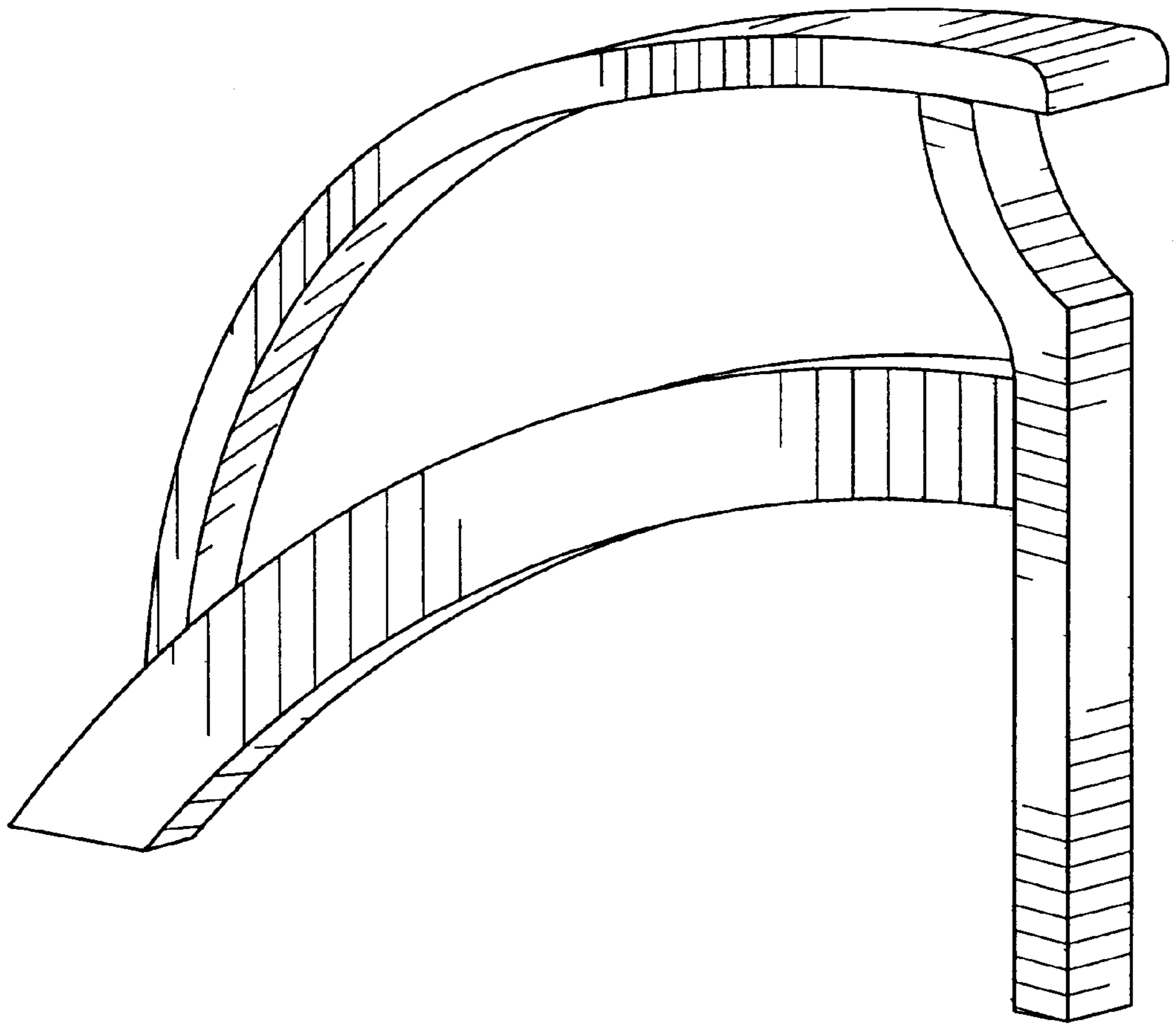


FIG. 1

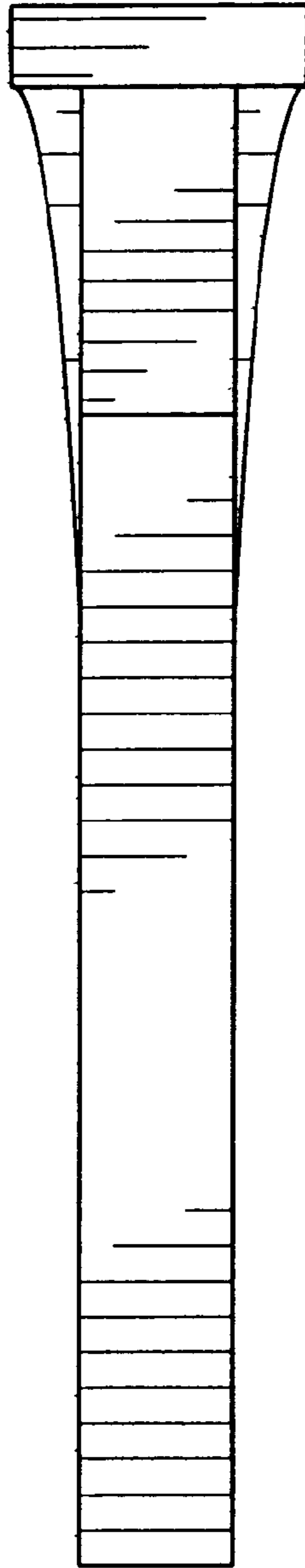


FIG. 2

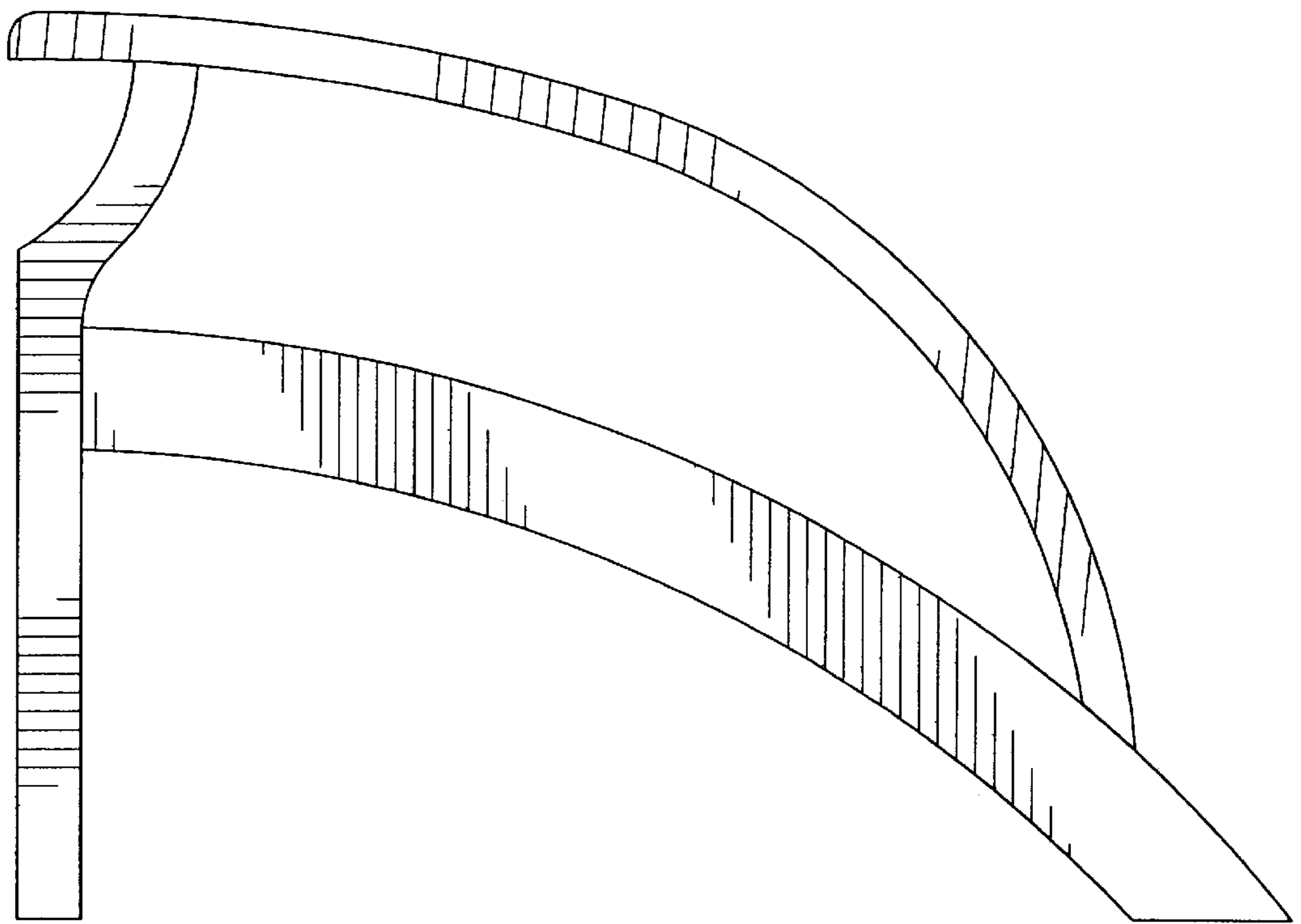


FIG. 3

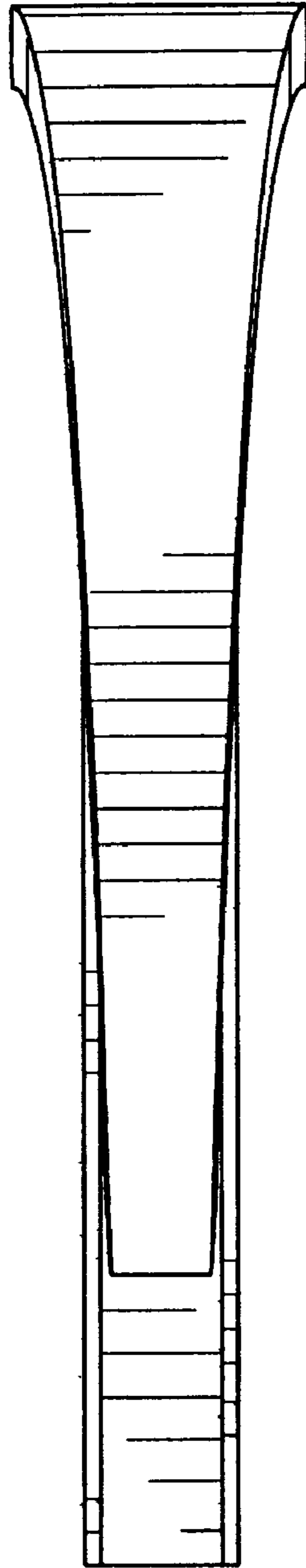


FIG. 4

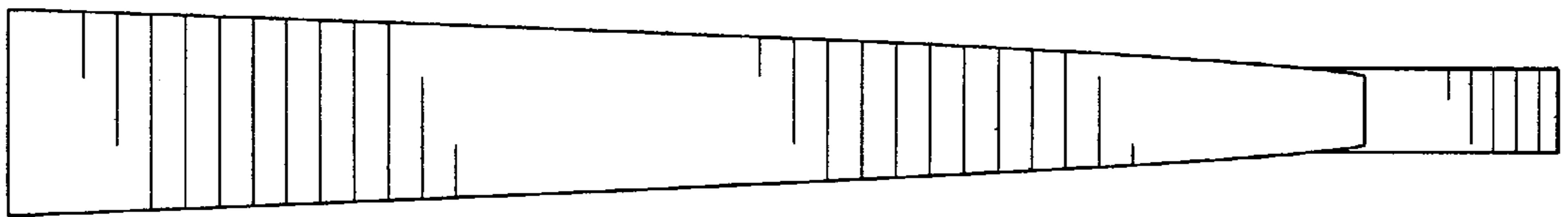


FIG. 5

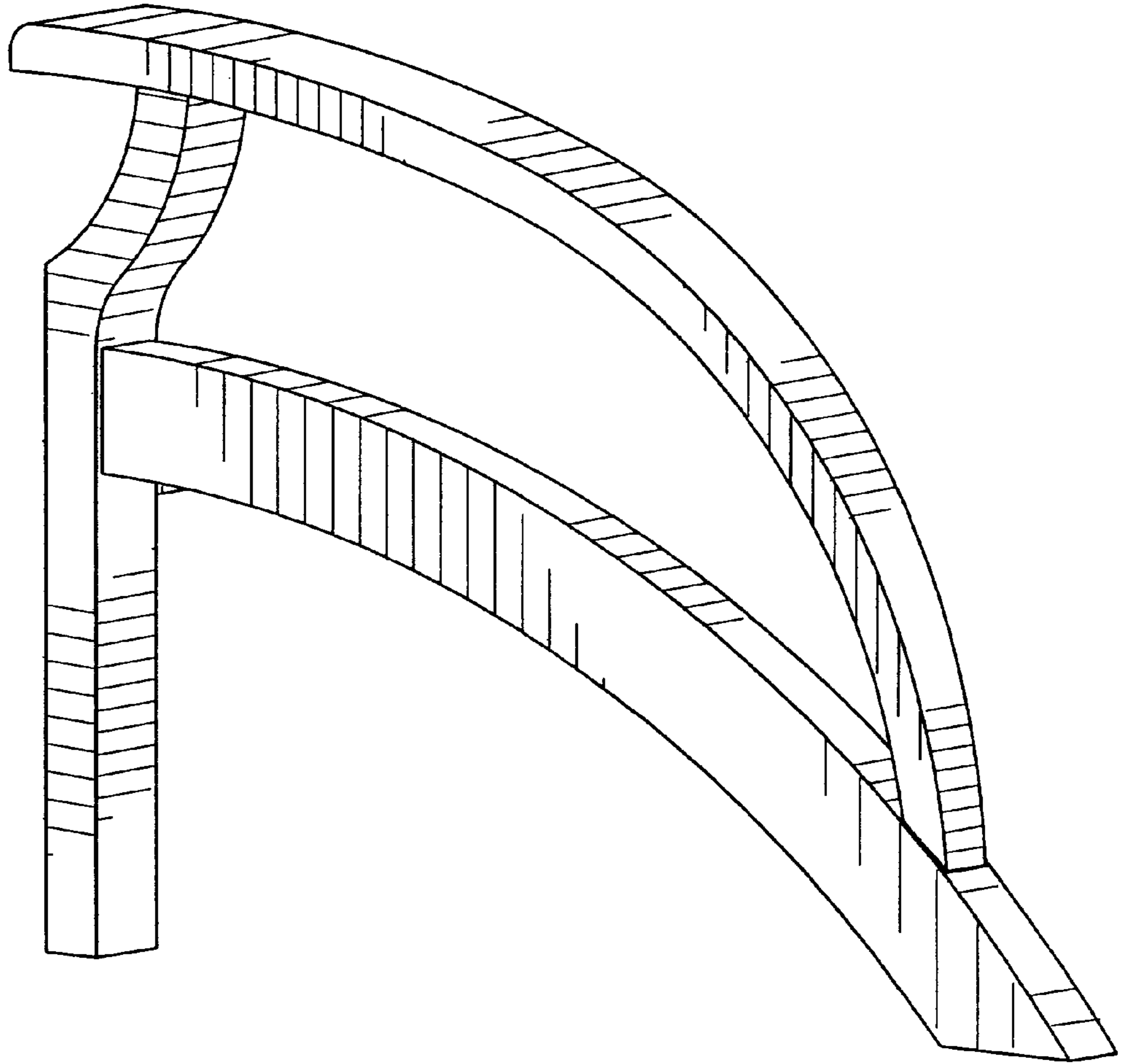


FIG. 6