



US00D424842S

United States Patent [19]

Schlichter et al.

[11] Patent Number: Des. 424,842

[45] Date of Patent: ** May 16, 2000

[54] CONVERTIBLE FURNITURE FRAME

[75] Inventors: Mark E. Schlichter, Chippewa Falls;
Mark S. Barton, Augusta, both of Wis.

[73] Assignee: August Lotz Co., Inc., Boyd, Wis.

[**] Term: 14 Years

[21] Appl. No.: 29/098,719

[22] Filed: Jan. 5, 1999

[51] LOC (7) Cl. 06-06

[52] U.S. Cl. D6/492; D6/381; D6/500

[58] Field of Search D6/334, 335, 364,
D6/370, 371, 373, 379, 381, 492, 495,
500, 501, 502; 297/232, 440.23, 411.42,
411.45

[56] References Cited

U.S. PATENT DOCUMENTS

D. 35,082	9/1901	Stickley	D6/379
D. 239,580	4/1976	Robertson et al.	D6/381
D. 257,413	10/1980	Beall, Jr.	D6/379
D. 350,858	9/1994	Warren	D6/379
D. 353,721	12/1994	Lowman	D6/379
1,295,411	2/1919	Anderson et al.	297/411.45

Primary Examiner—Doris V. Coles
Assistant Examiner—Mimosa De
Attorney, Agent, or Firm—Andrus, Scales, Starke &
Sawall

[57] CLAIM

The ornamental design for a convertible furniture frame, as shown and described.

DESCRIPTION

FIG. 1 is an isometric view of a convertible furniture frame incorporating the design of the invention; FIG. 2 is a side elevation view thereof; FIG. 3 is a front elevation view of the convertible furniture frame; FIG. 4 is a side elevation view taken along line 4—4 in FIG. 3; FIG. 5 is a back elevation view thereof; FIG. 6 is a top plan view thereof; and, FIG. 7 is a bottom plan view thereof.

The phantom lines shown in FIGS. 1–7 showing the cushion and remaining portions of the convertible furniture frame are for illustrative purposes only and form no part of the claimed design.

1 Claim, 6 Drawing Sheets

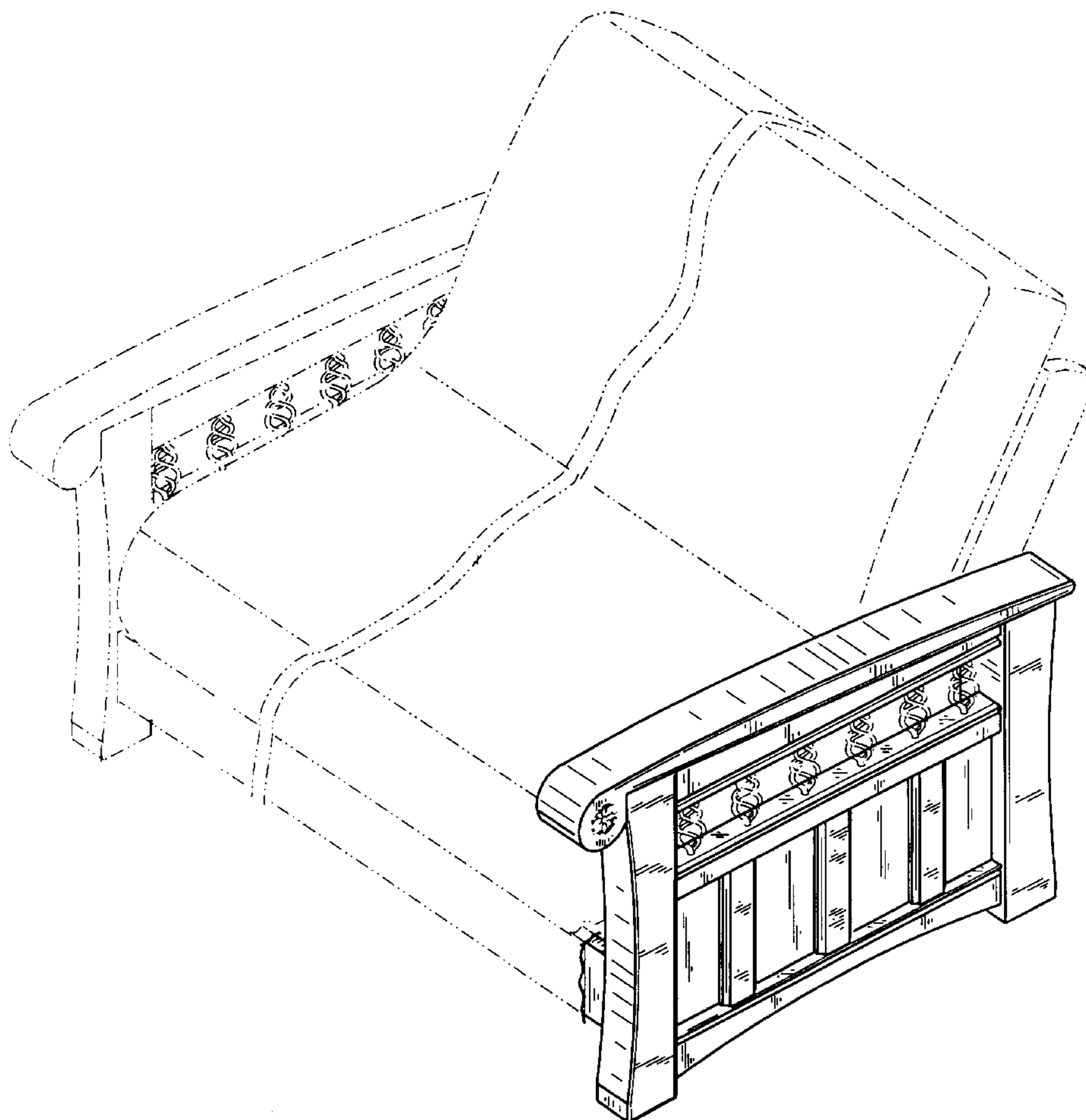


FIG. 1

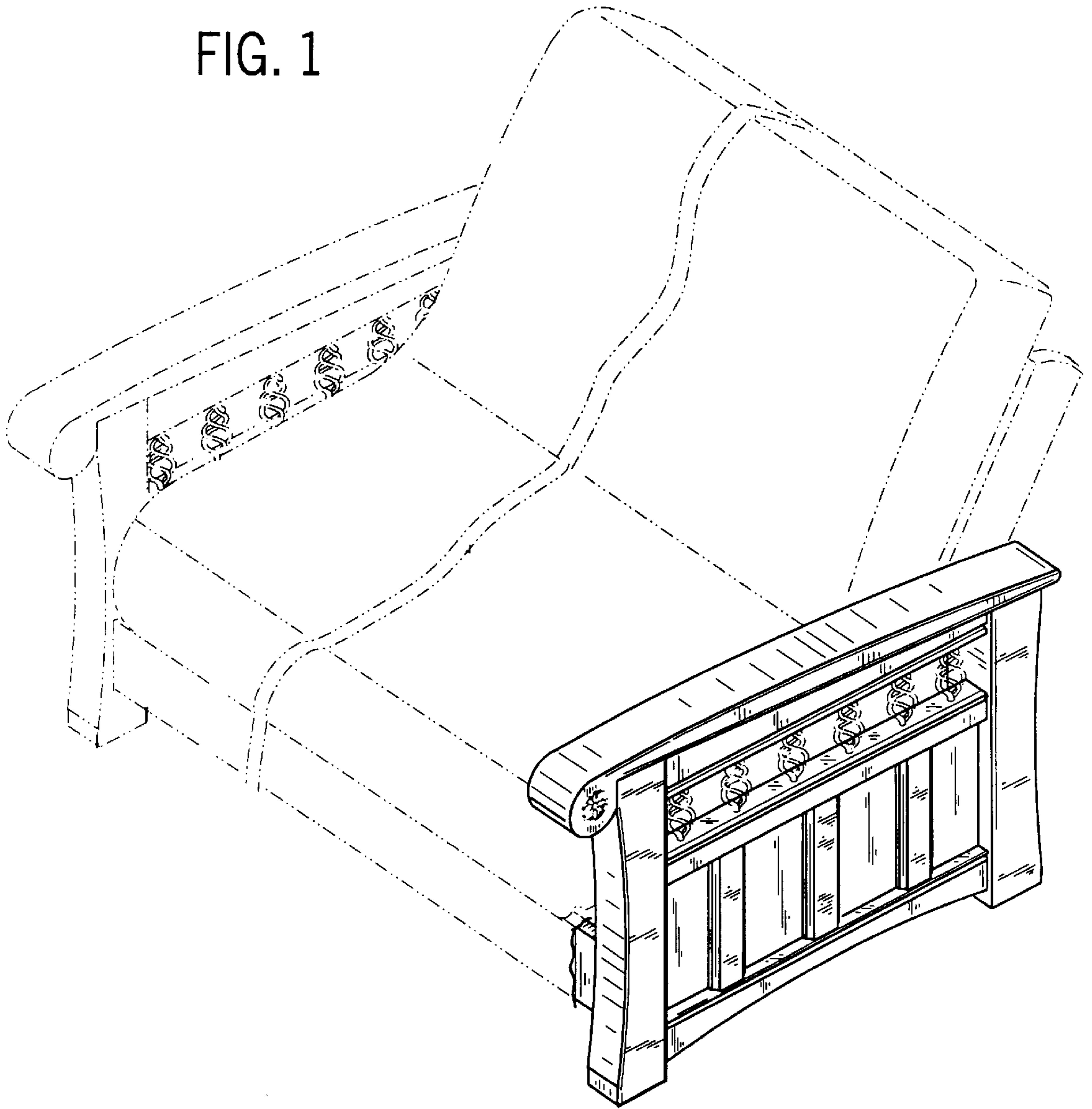


FIG. 2

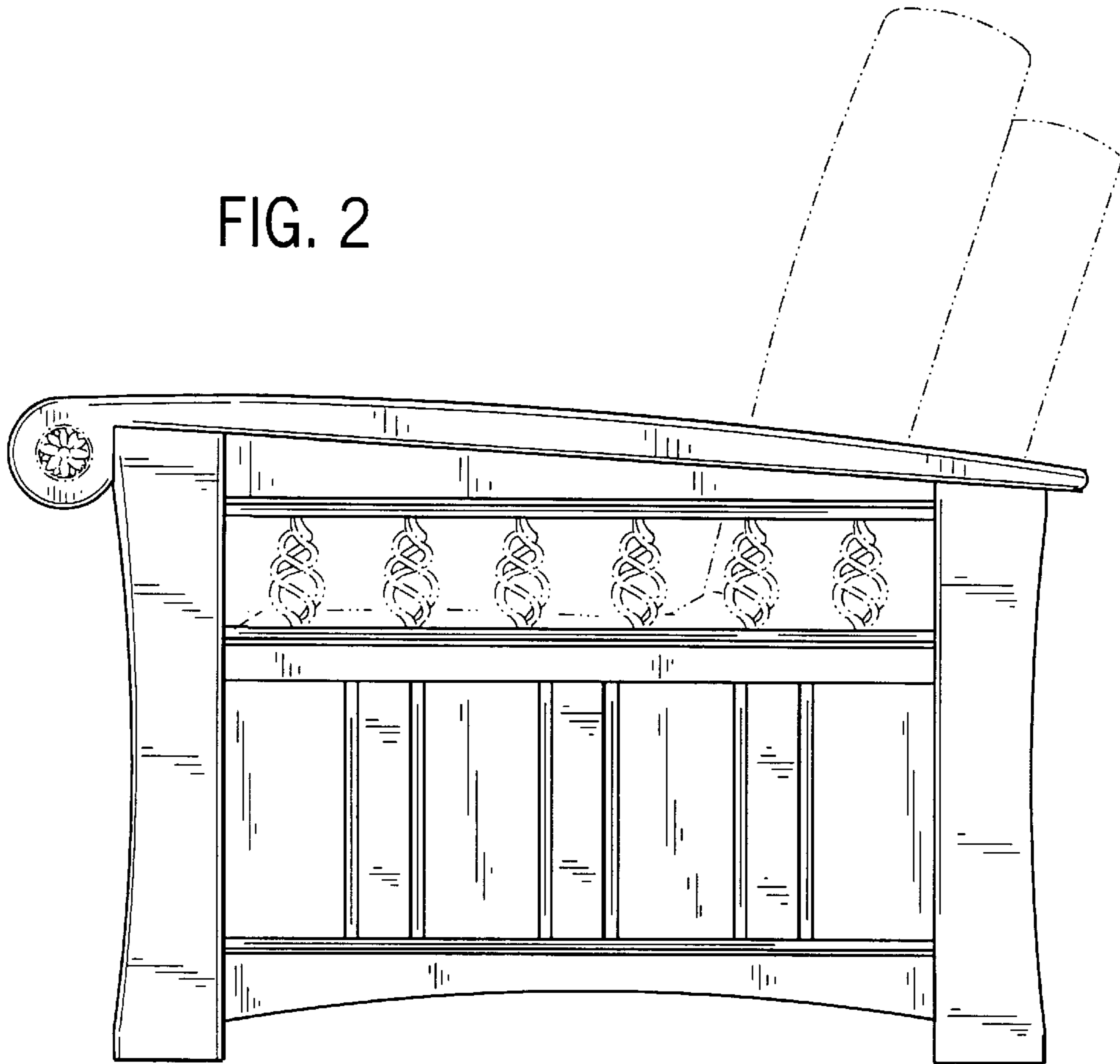
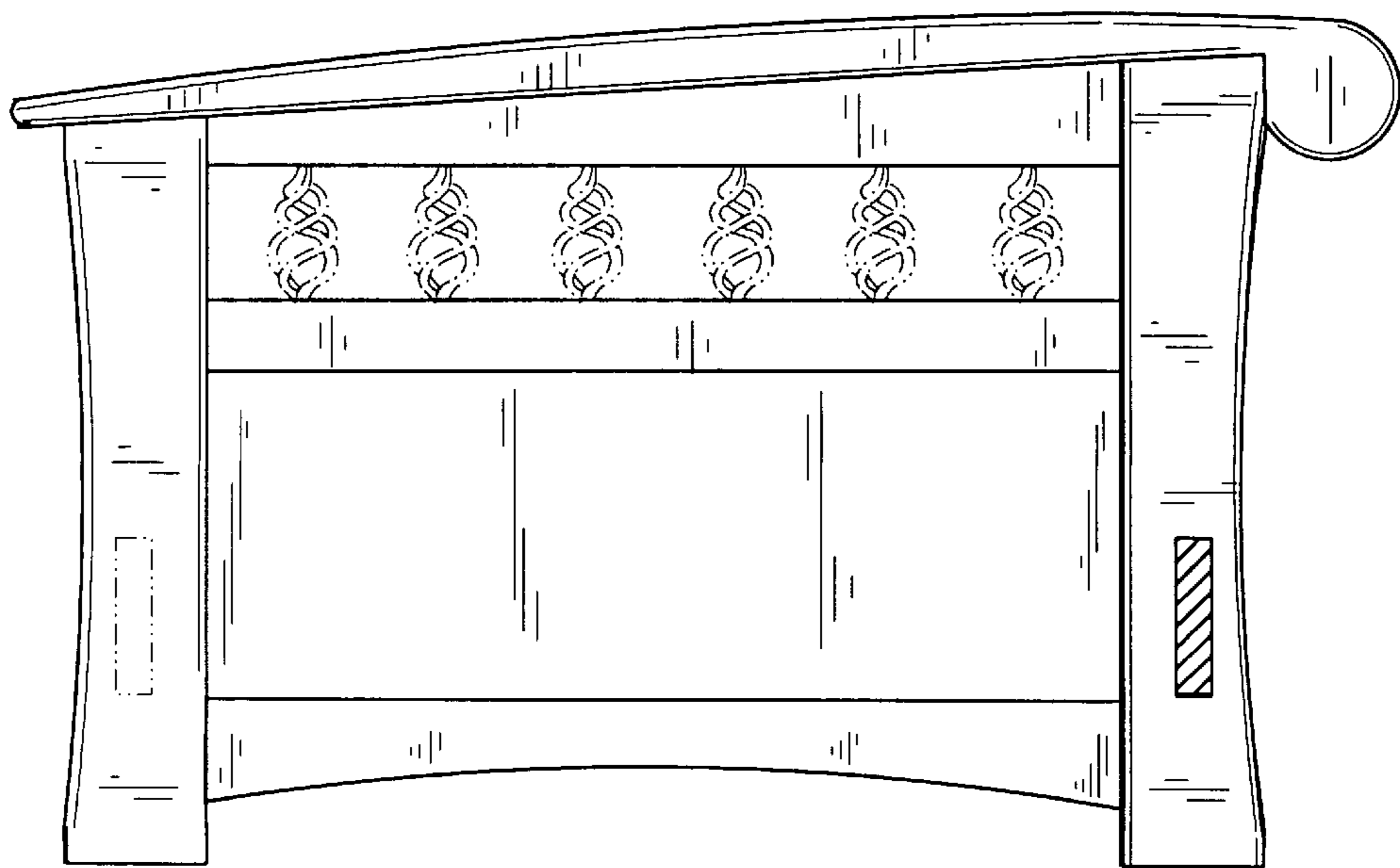


FIG. 4



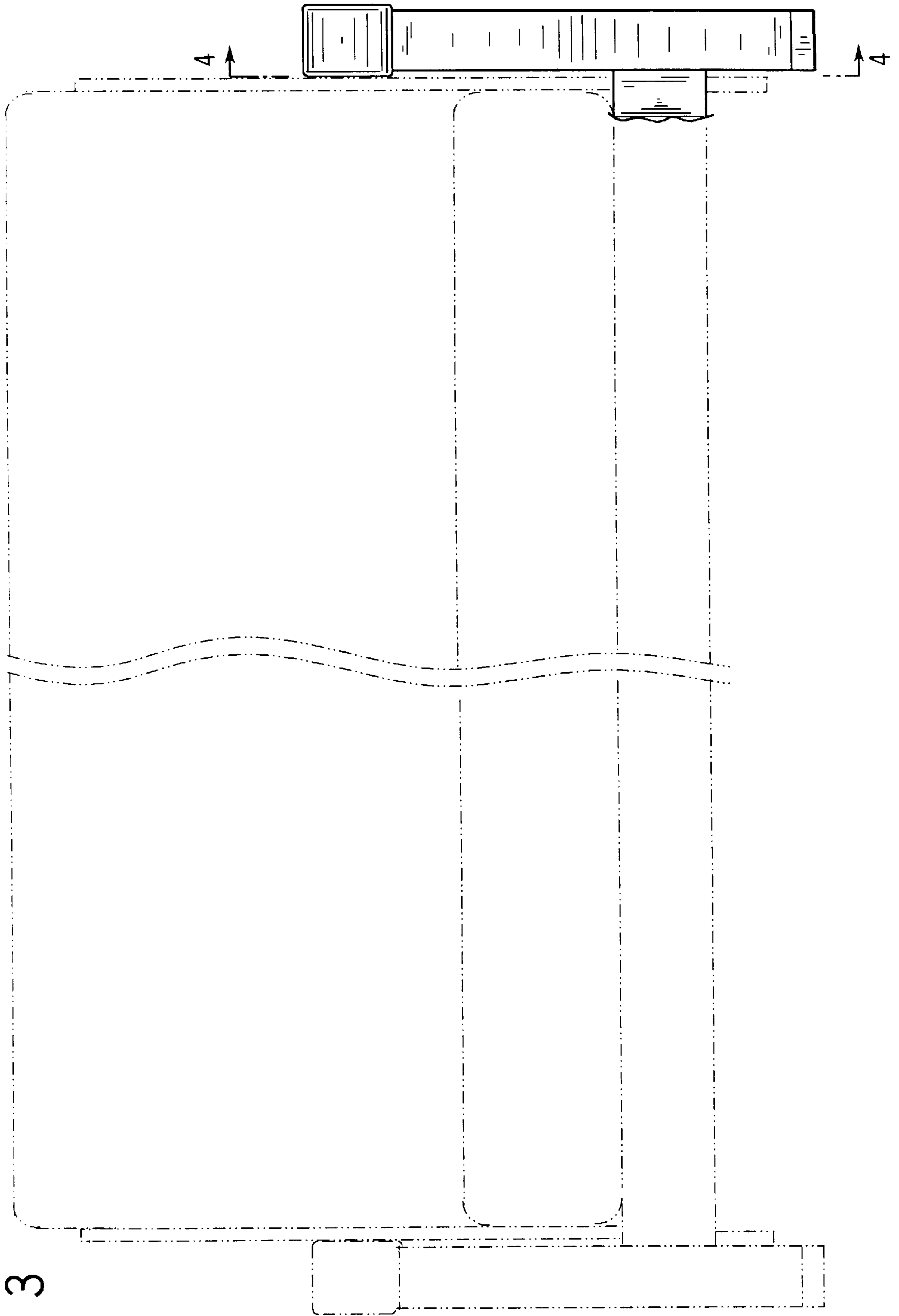
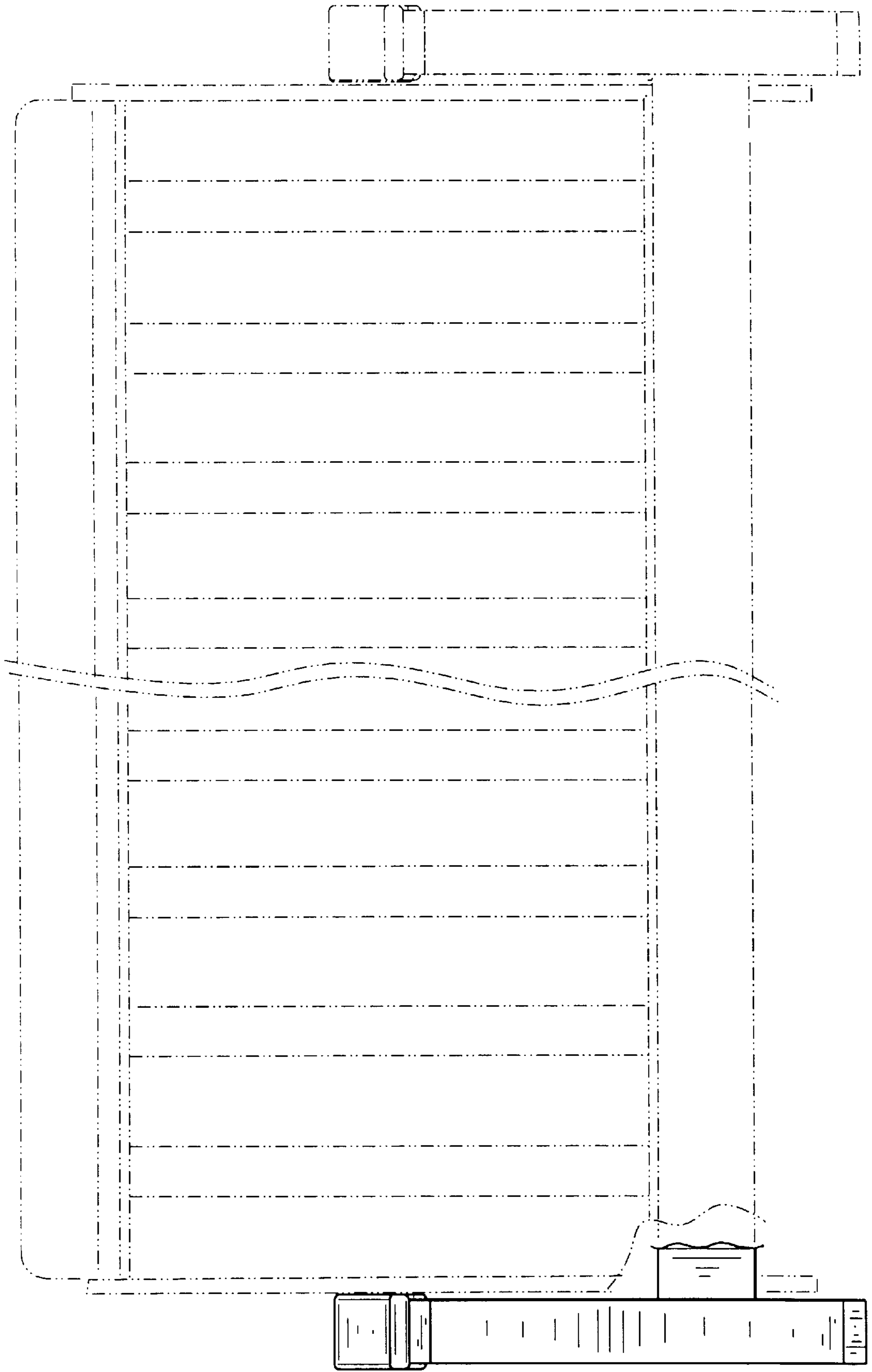


FIG. 3

FIG. 5



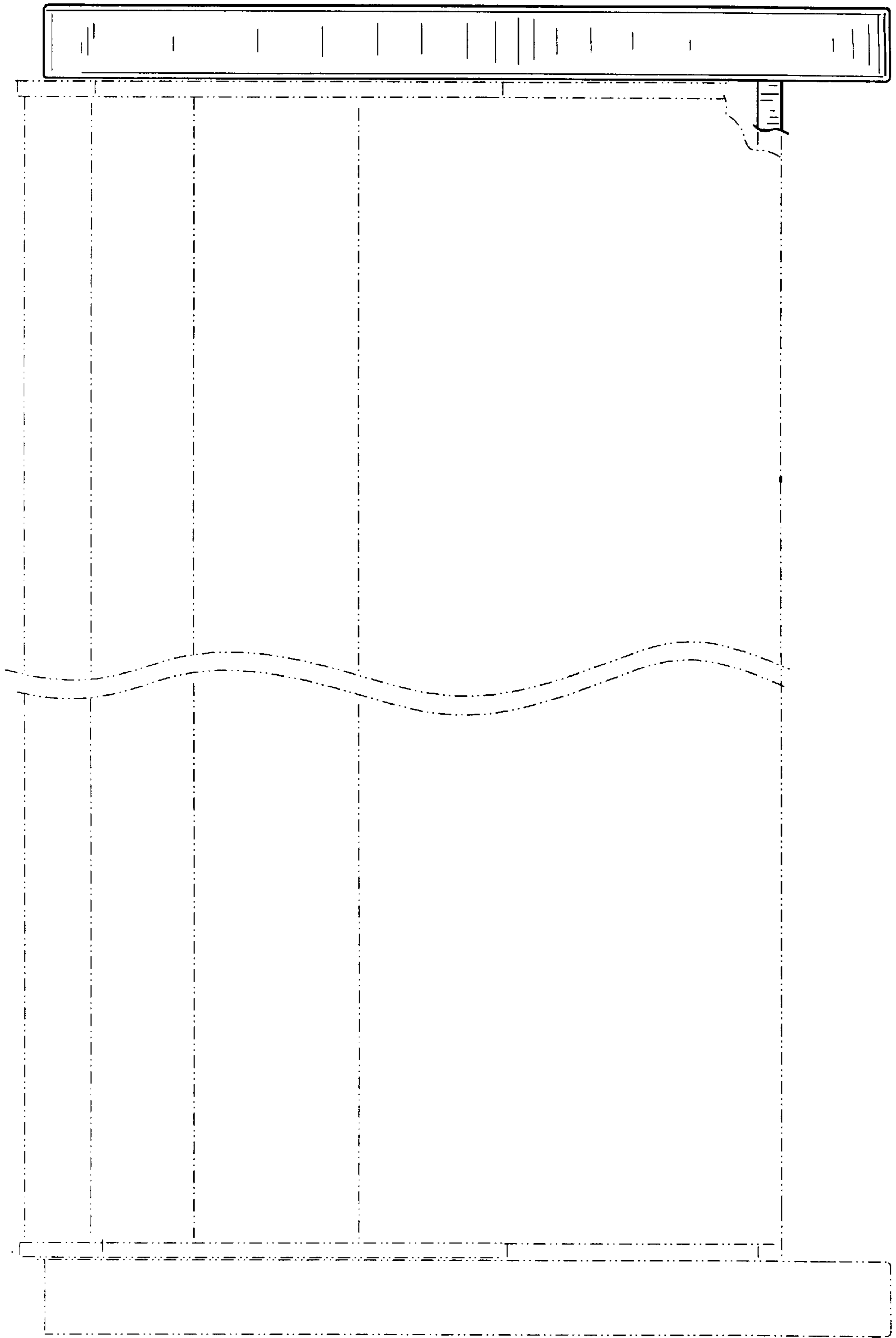


FIG. 6

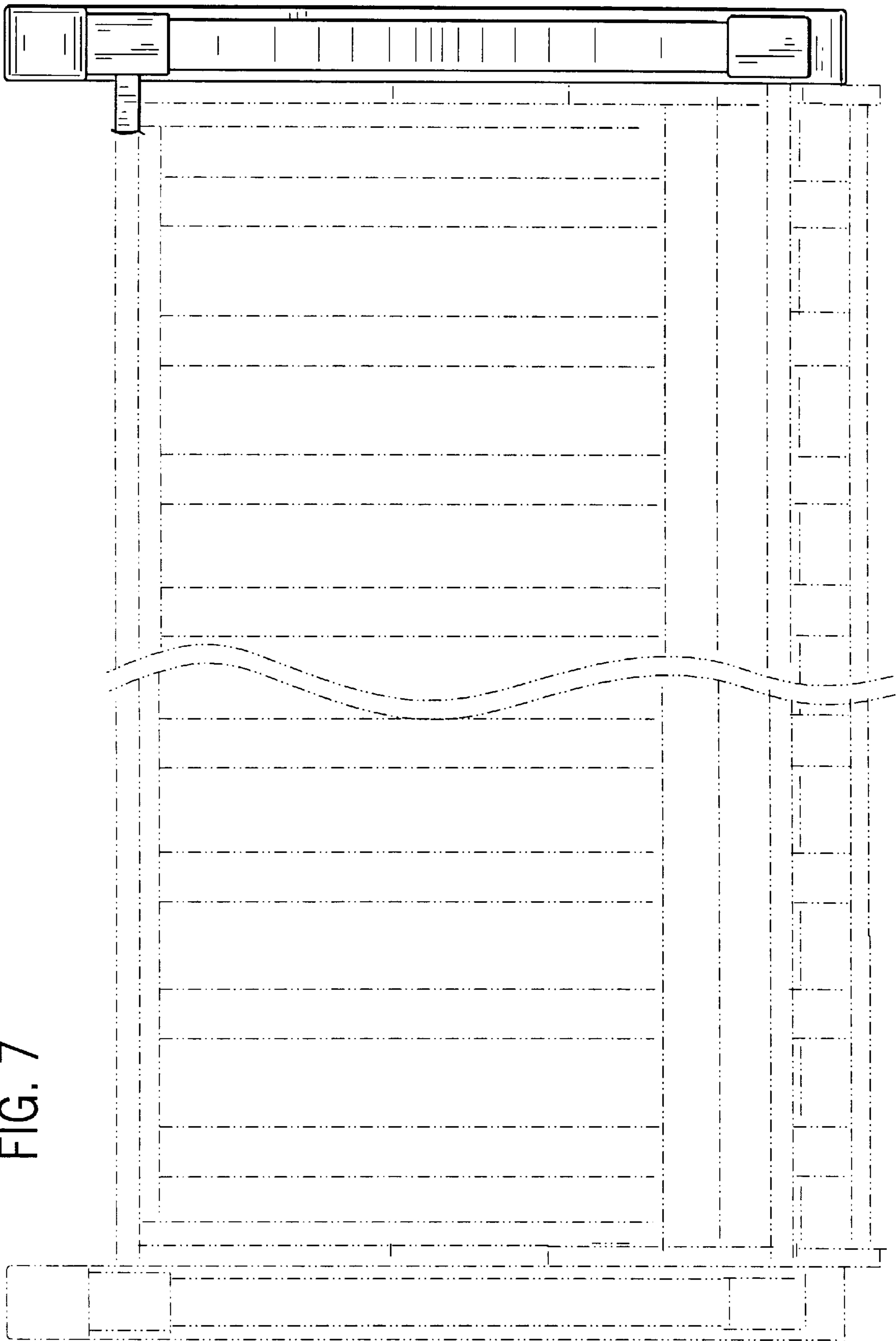


FIG. 7