



US00D424841S

**United States Patent** [19]  
**Newhouse**

[11] **Patent Number: Des. 424,841**

[45] **Date of Patent: \*\* May 16, 2000**

[54] **TABLE**

[75] Inventor: **Thomas J. Newhouse**, Grand Rapids, Mich.

[73] Assignee: **The Worden Company**, Holland, Mich.

[\*\*] Term: **14 Years**

[21] Appl. No.: **29/107,288**

[22] Filed: **Jun. 30, 1999**

[51] **LOC (7) Cl.** ..... **06-03**

[52] **U.S. Cl.** ..... **D6/484; D6/480**

[58] **Field of Search** ..... D6/480-489, 495, D6/429; 108/153.1, 156, 157.1, 161; 248/188, 188.1, 188.8

[56] **References Cited**

**U.S. PATENT DOCUMENTS**

D. 132,875	6/1942	Cooper	.....	D6/480
D. 175,195	7/1955	Strong	.....	D6/480
D. 239,584	4/1976	Vrignaud	.....	D6/480
D. 376,500	12/1996	Lewis	.....	D6/484
D. 407,245	3/1999	Lewis	.....	D6/484

*Primary Examiner*—Janice E. Seeger  
*Attorney, Agent, or Firm*—Reising, Ethington, Barnes, Kisselle, Learman & McCulloch, PC

[57] **CLAIM**

The ornamental design for a table, as shown and described.

**DESCRIPTION**

FIG. 1 is a perspective view of a table showing my new design.

FIG. 2 is a fragmentary perspective view showing an upper portion of one of the legs at its juncture with the table top, the juncture of the upper portions of the remaining legs with the table top being identical to that shown.

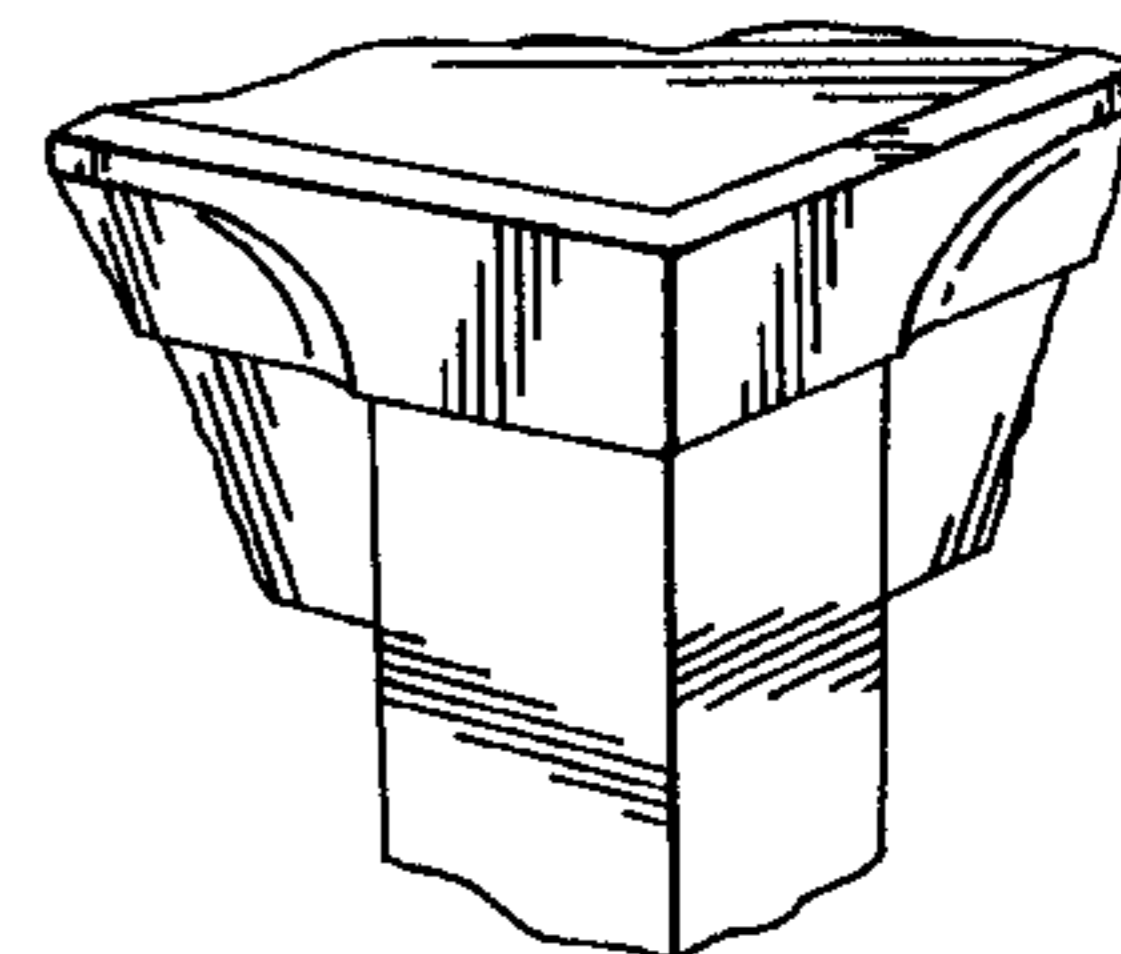
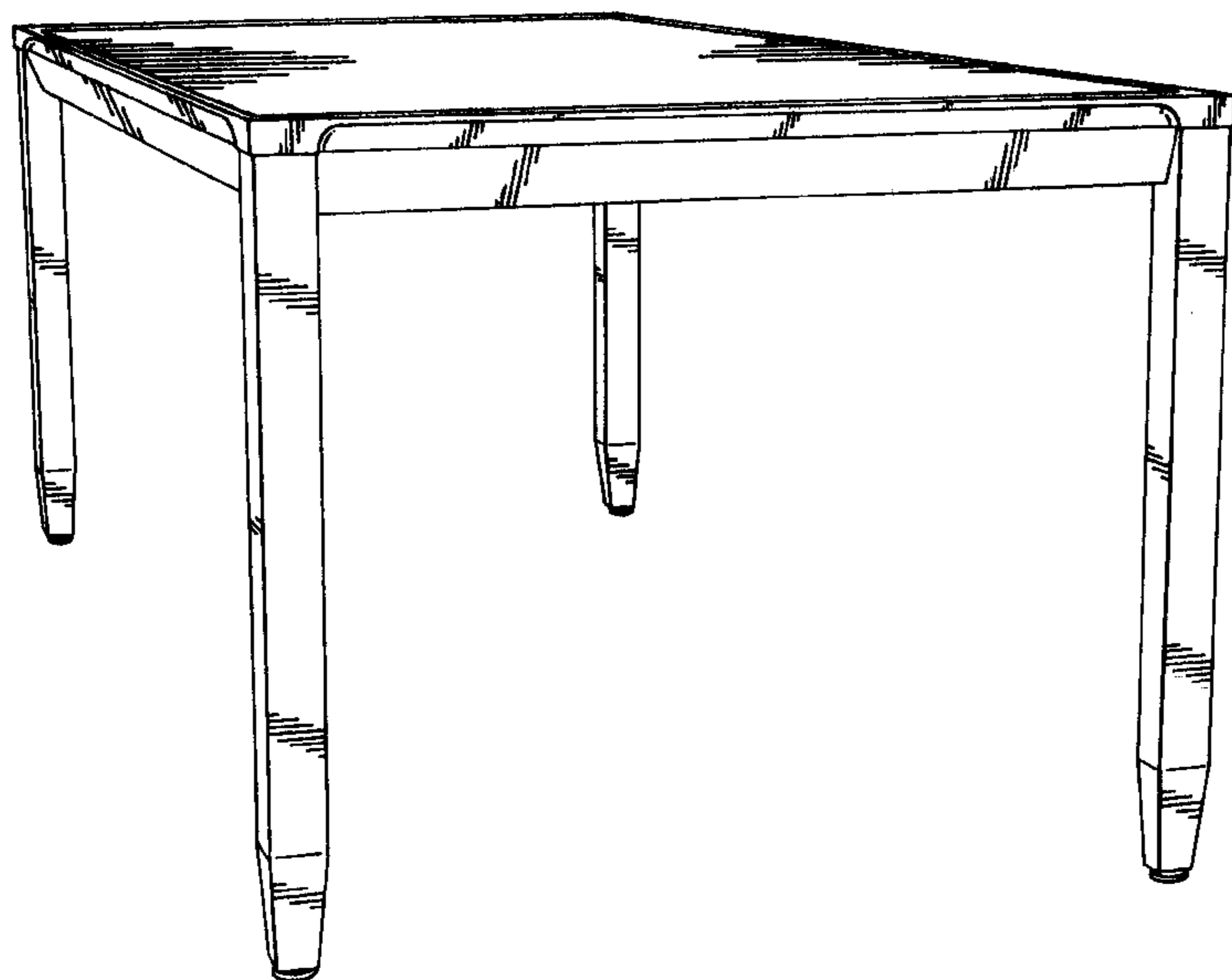
FIG. 3 is a fragmentary perspective view at the juncture shown in FIG. 2, as seen from a different angle, the juncture of the upper portions of the remaining legs with the table top being identical to that shown.

FIG. 4 is a top plan view.

FIG. 5 is a front view, the rear being a mirror image of that shown; and,

FIG. 6 is a side view, the opposite side being a mirror image of that shown.

**1 Claim, 2 Drawing Sheets**



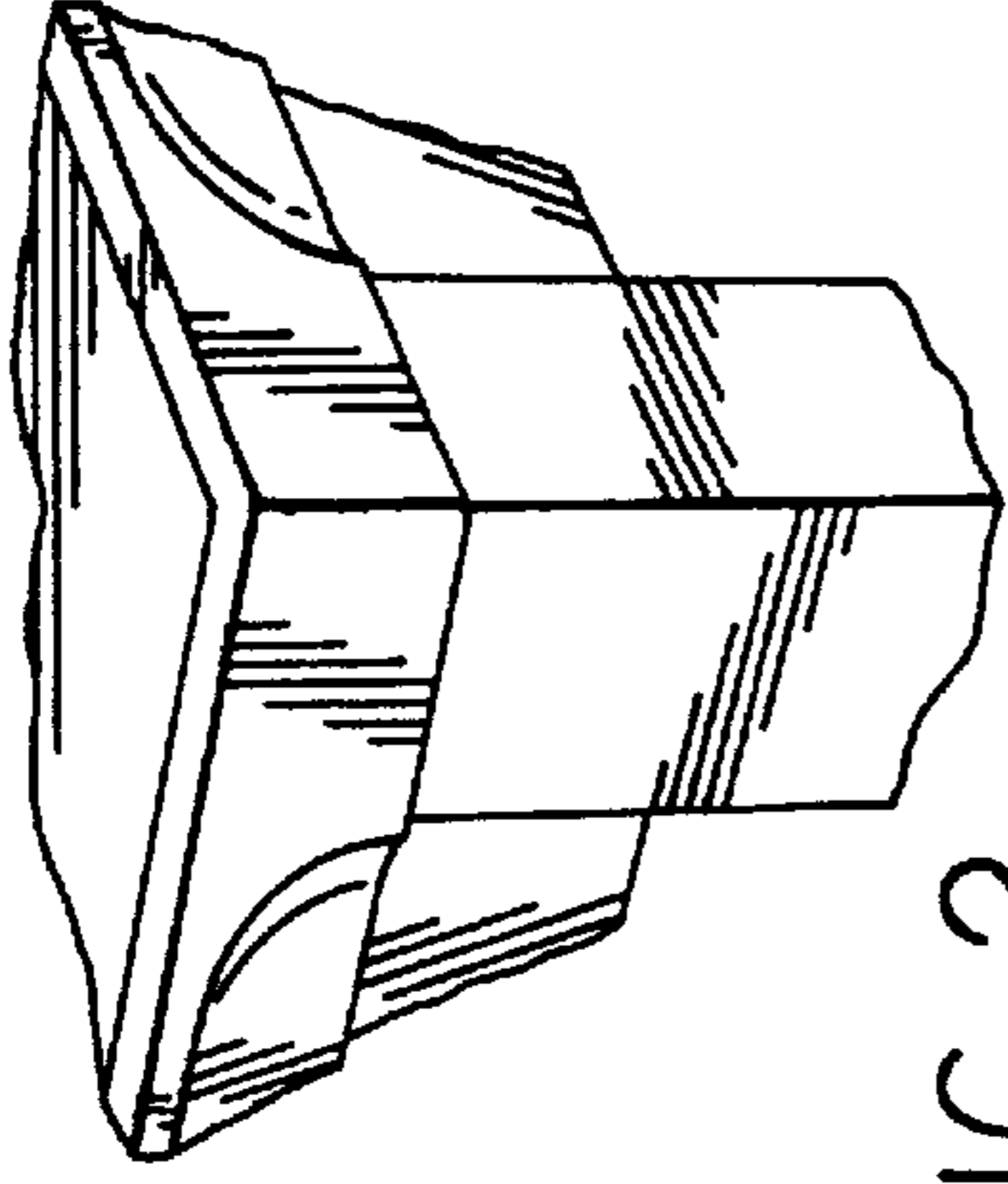


FIG. 2

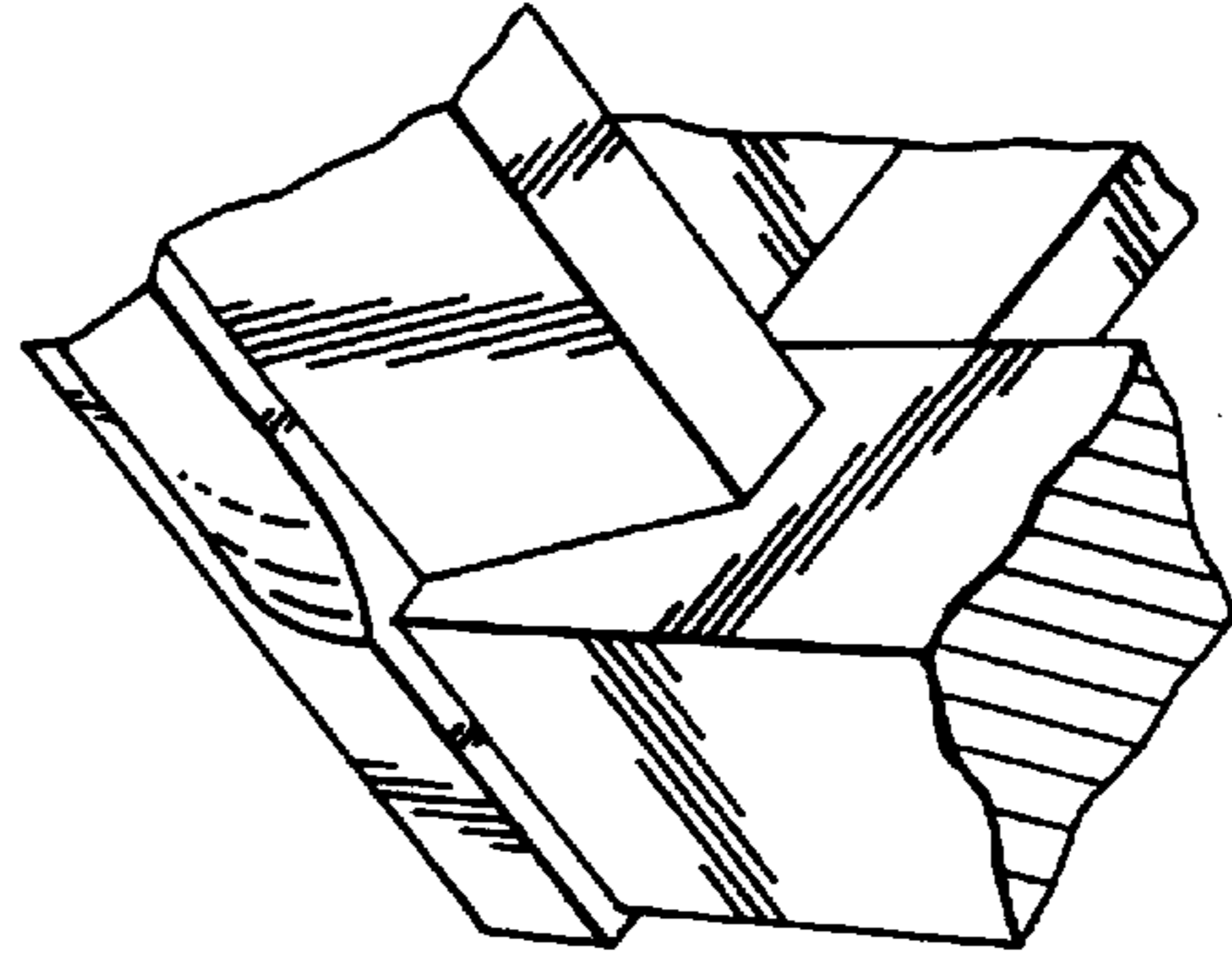


FIG. 3

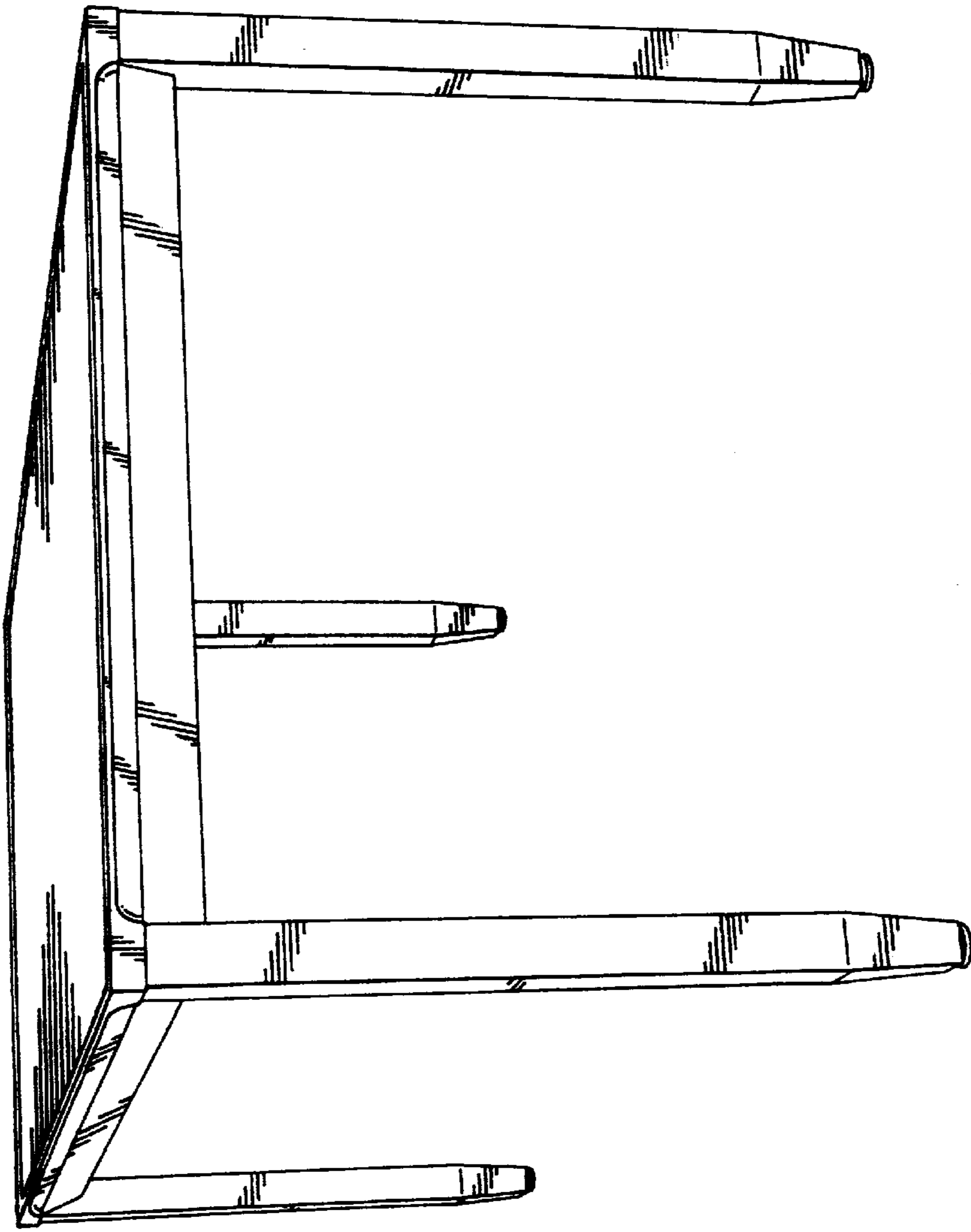


FIG. 1

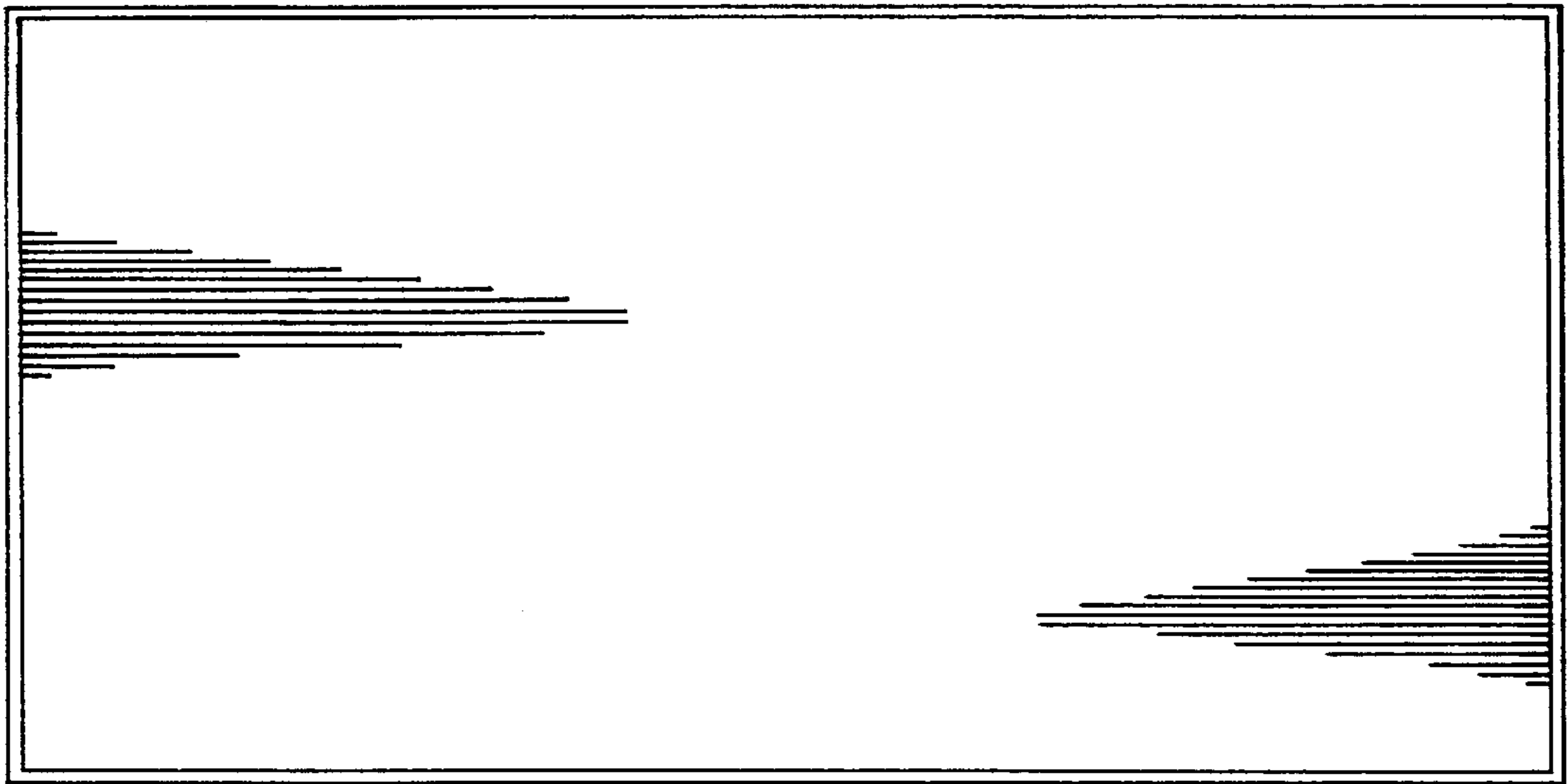


FIG. 4

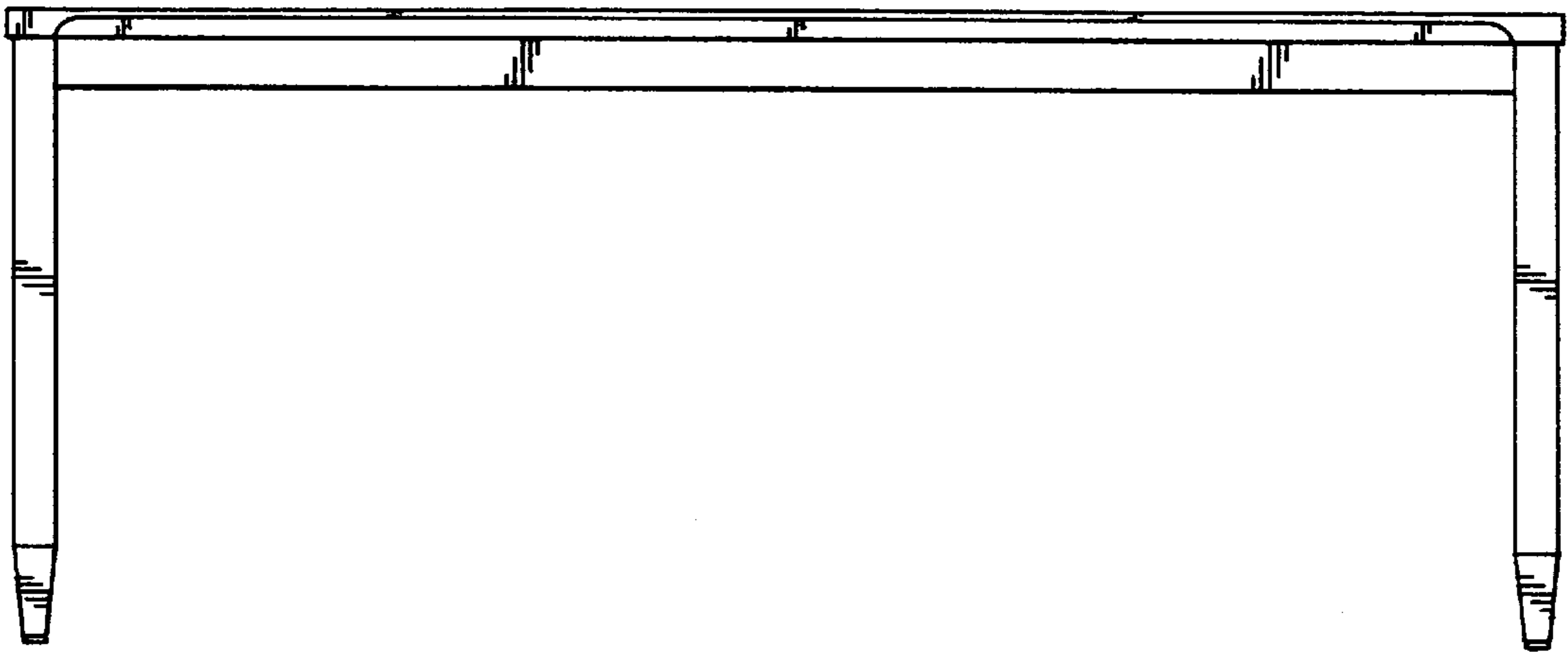


FIG. 5

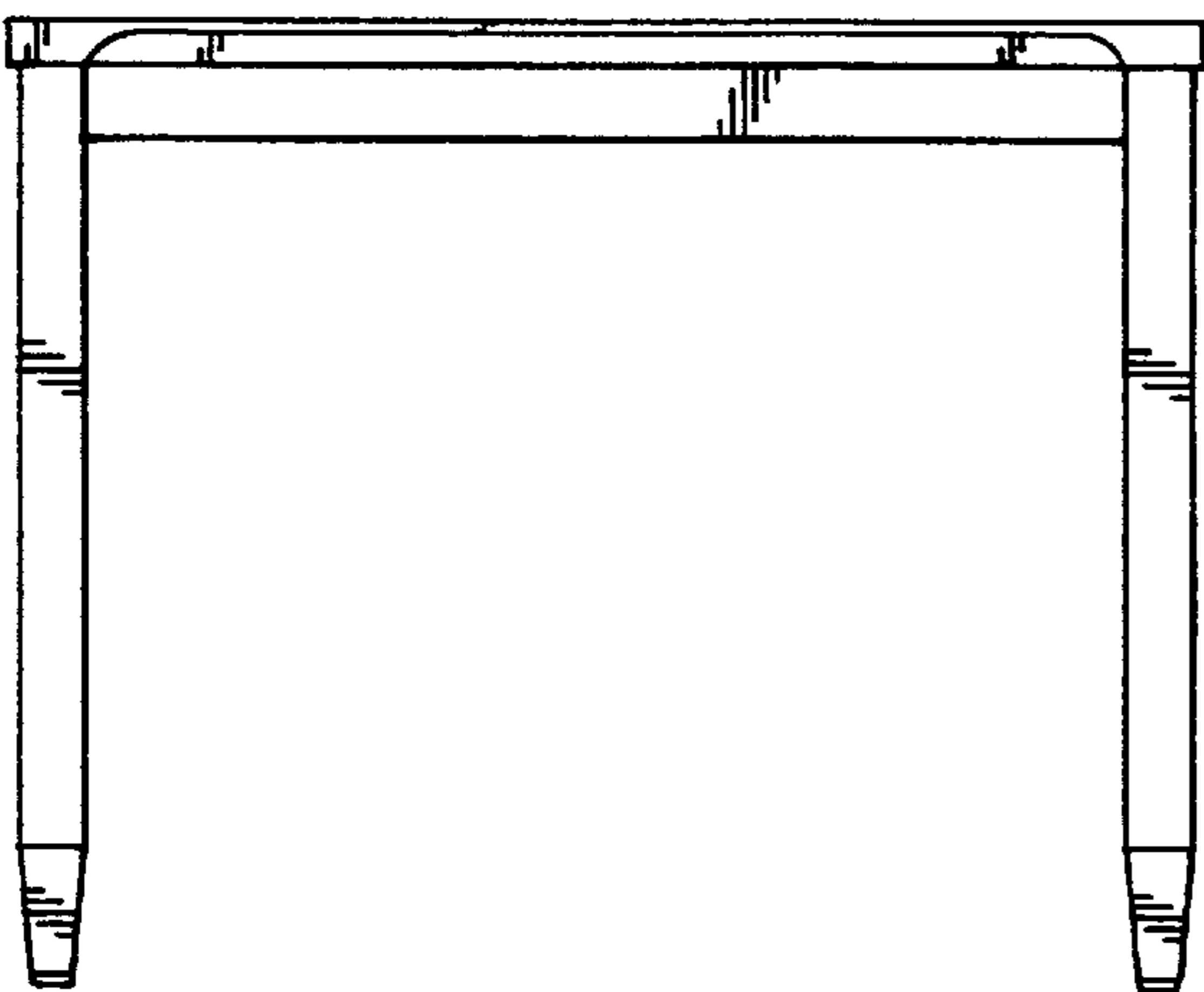


FIG. 6