



US00D424840S

United States Patent [19]

Newhouse

[11] **Patent Number: Des. 424,840**

[45] **Date of Patent: ** May 16, 2000**

[54] **TABLE**

[75] **Inventor: Thomas J. Newhouse**, Grand Rapids, Mich.

[73] **Assignee: The Worden Company**, Holland, Mich.

[**] **Term: 14 Years**

[21] **Appl. No.: 29/107,277**

[22] **Filed: Jun. 30, 1999**

[51] **LOC (7) Cl. 06-03**

[52] **U.S. Cl. D6/484; D6/480**

[58] **Field of Search** D6/480-489, 495, D6/429; 108/153.1, 156, 157.1, 161; 248/188, 188.1, 188.8

D. 234,068	1/1975	Mudde	D6/484
D. 357,144	4/1995	Hand	D6/480
D. 367,978	3/1996	Lewis	D6/484
D. 407,245	3/1999	Lewis	D6/484

Primary Examiner—Janice E. Seeger
Attorney, Agent, or Firm—Reising, Ethington, Barnes, Kisselle, Learman & McCulloch, PC

[57] CLAIM

The ornamental design for a table, as shown and described.

DESCRIPTION

FIG. 1 is a perspective view of a table showing my new design.

FIG. 2 is a top plan view.

FIG. 3 is a front view, the rear being a mirror image of that shown; and,

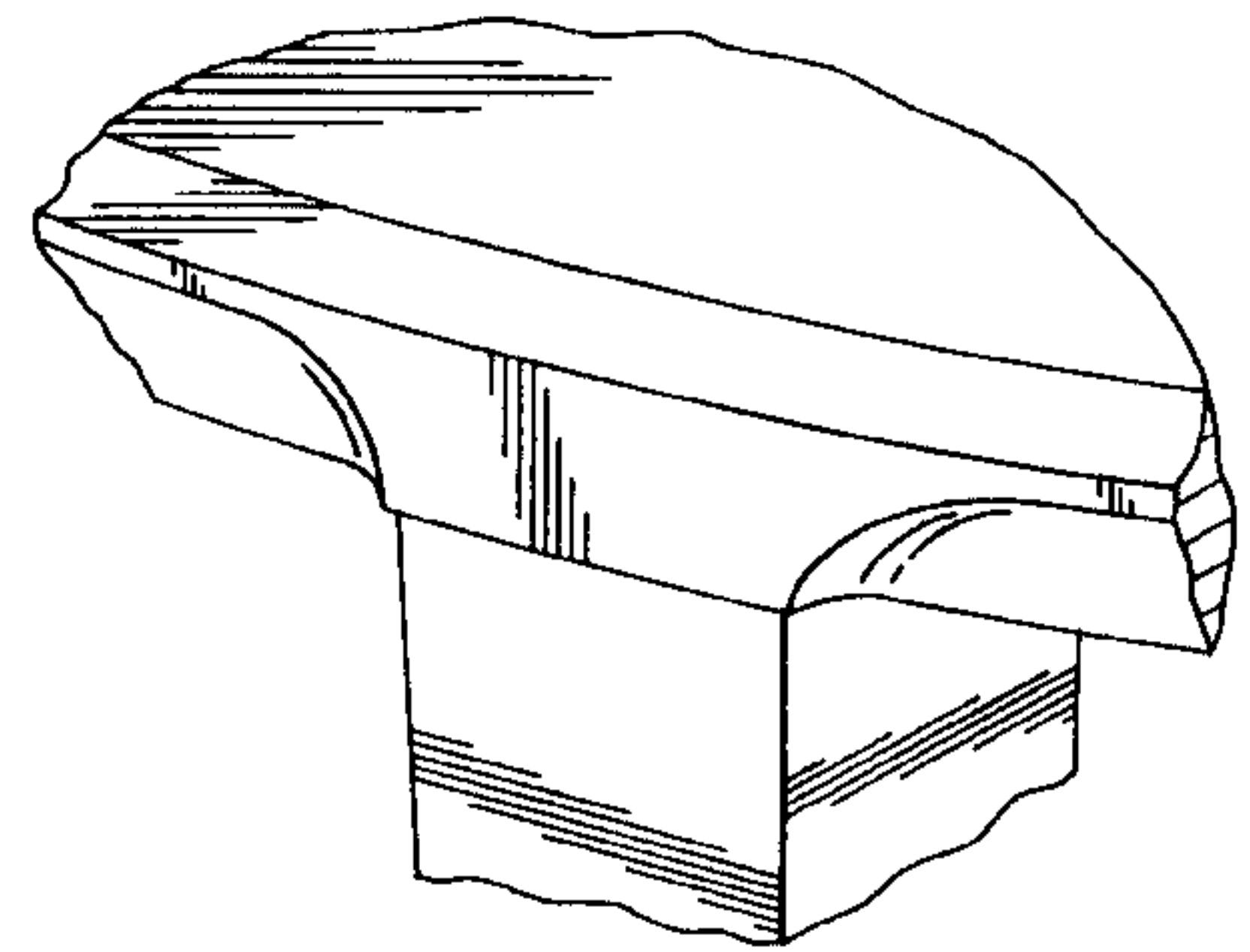
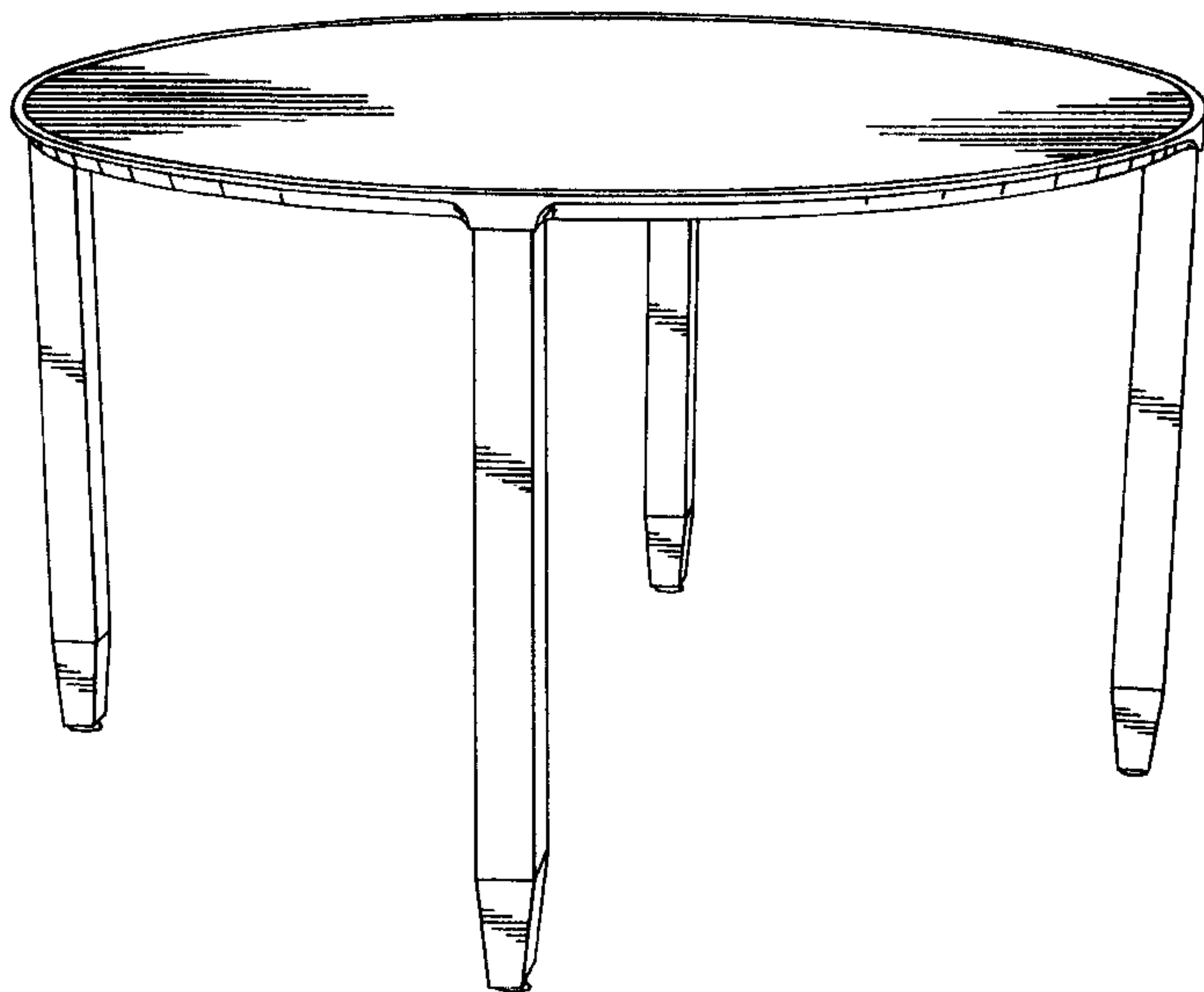
FIG. 4 is a side view, the opposite side being a mirror image of that shown.

[56] References Cited

U.S. PATENT DOCUMENTS

D. 216,711 3/1970 Schultz D6/484

1 Claim, 2 Drawing Sheets



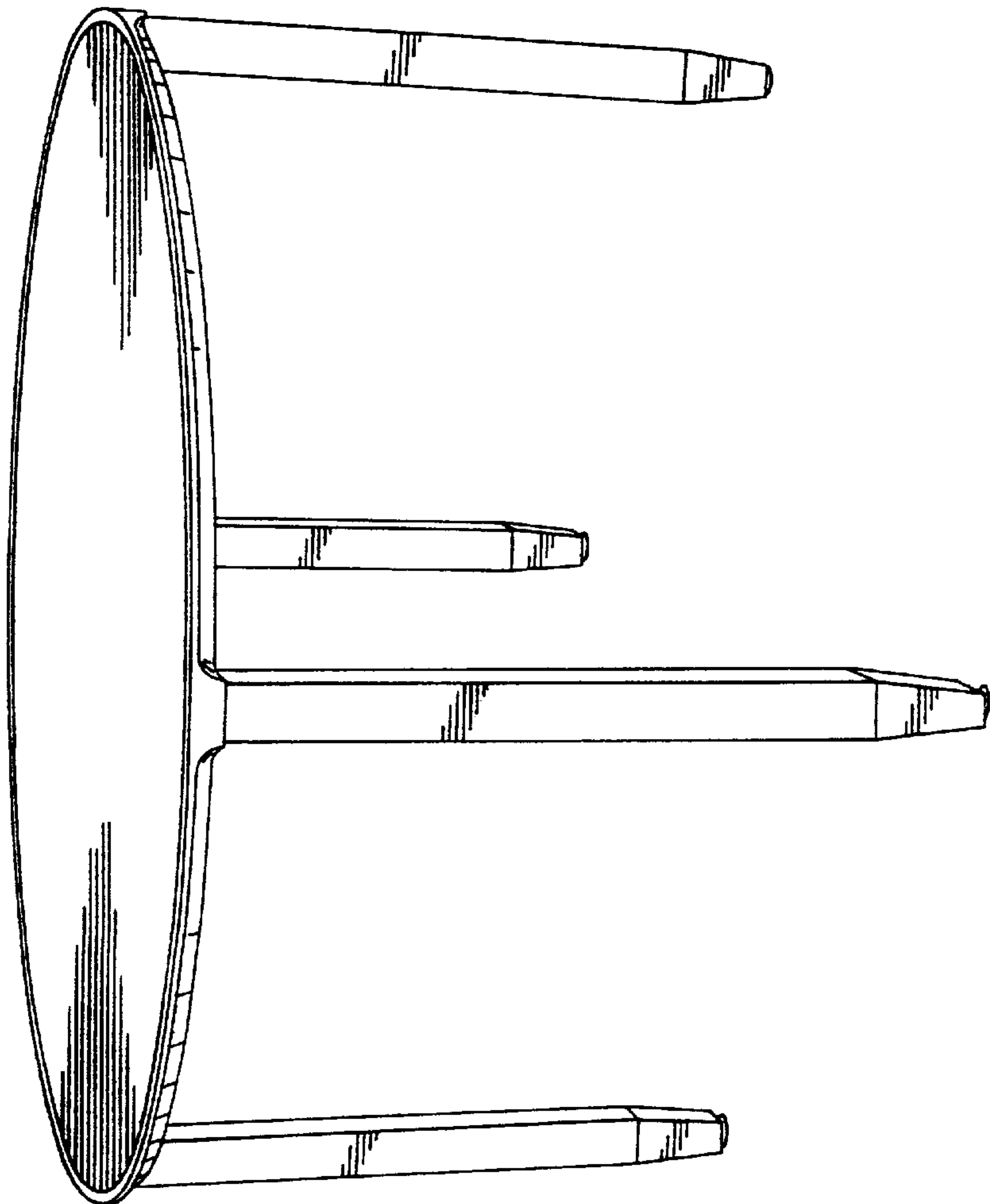


FIG. 1

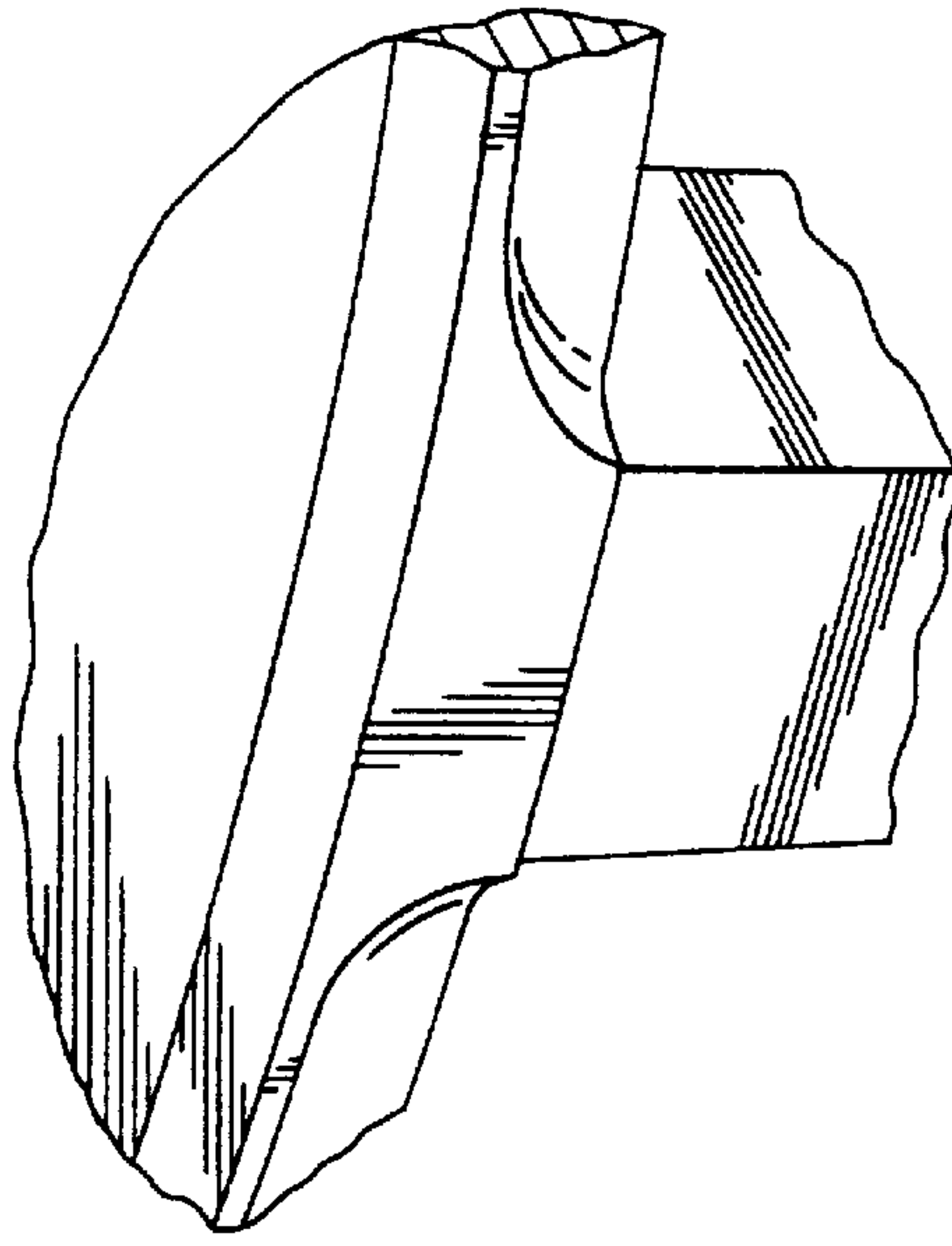


FIG. 2

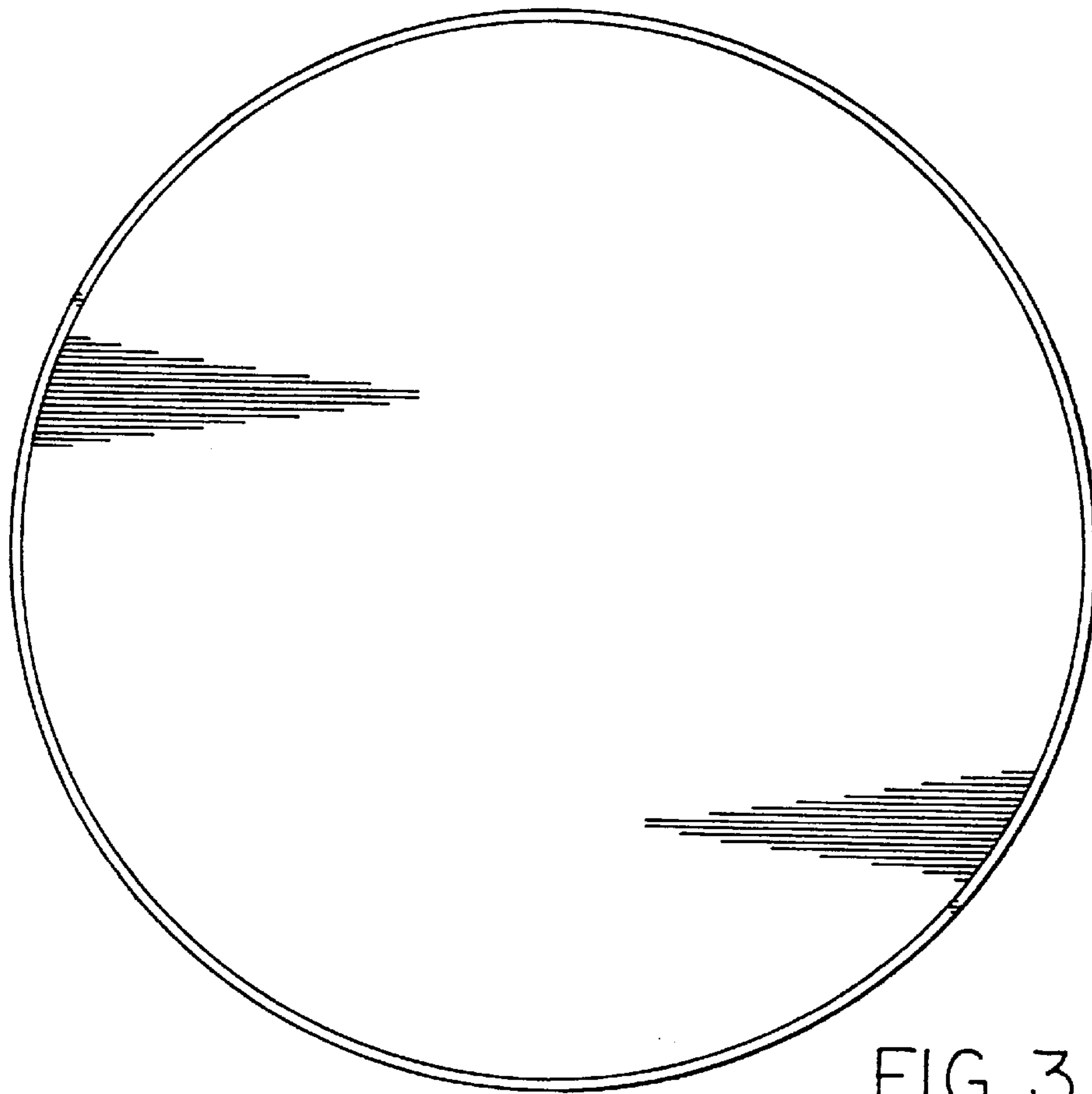


FIG. 3

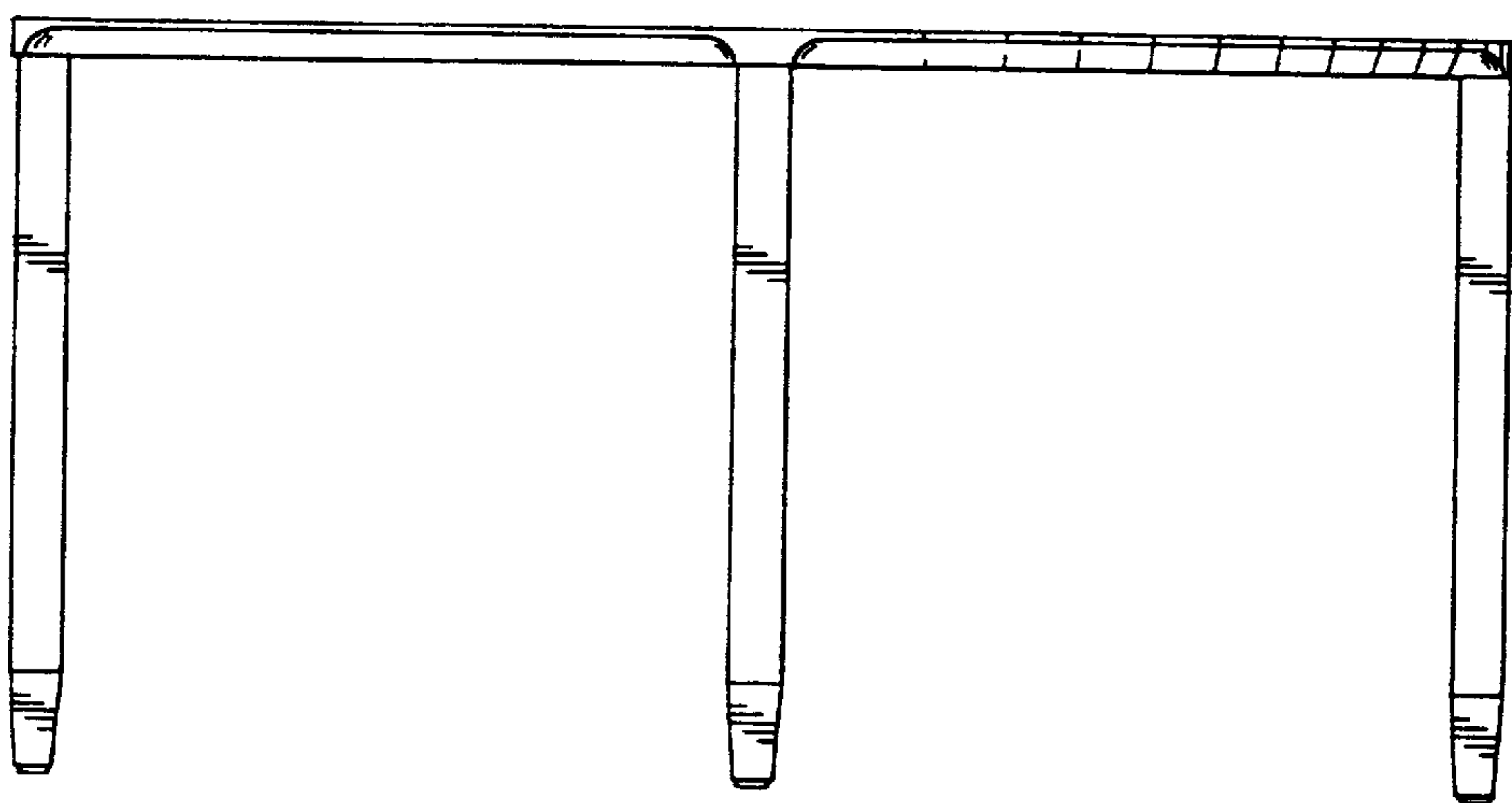


FIG. 4