



US00D424838S

United States Patent [19]
Newhouse

[11] **Patent Number: Des. 424,838**

[45] **Date of Patent: ** May 16, 2000**

[54] **TABLE**

[75] **Inventor: Thomas J. Newhouse**, Grand Rapids, Mich.

[73] **Assignee: The Worden Company**, Holland, Mich.

[**] **Term: 14 Years**

[21] **Appl. No.: 29/107,290**

[22] **Filed: Jun. 30, 1999**

[51] **LOC (7) Cl. 06-03**

[52] **U.S. Cl. D6/480; D6/480**

[58] **Field of Search** D6/480-489, 495, D6/429; 108/153.1, 156, 157.1, 161; 248/188, 188.1, 188.8

- D. 234,068 1/1975 Mudde D6/484
- D. 354,643 1/1995 Hansel et al. D6/484
- D. 357,144 4/1995 Hand D6/480
- D. 376,500 12/1996 Lewis D6/484
- D. 407,245 3/1999 Lewis D6/484

Primary Examiner—Janice E. Seeger
Attorney, Agent, or Firm—Reising, Ethington, Barnes, Kisselle, Learman & McCulloch, PC

[57] **CLAIM**

The ornamental design for a table, as shown and described.

DESCRIPTION

FIG. 1 is a perspective view of a table showing my new design.

FIG. 2 is a fragmentary perspective view showing an upper portion of one of the legs at its juncture with the table top, the juncture of the upper portion of the remaining legs with the table top being identical to that shown.

FIG. 3 is a top plan view; and,

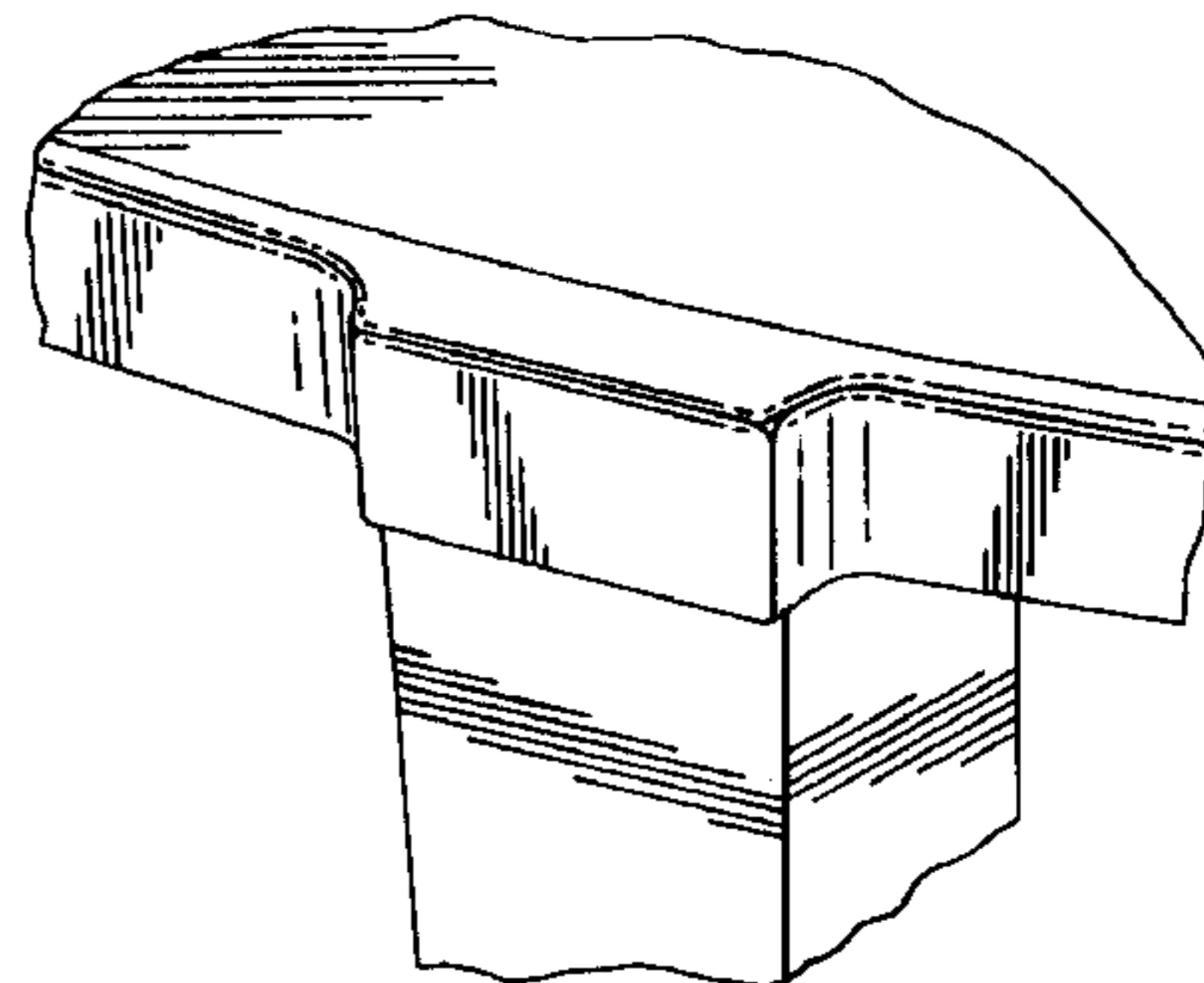
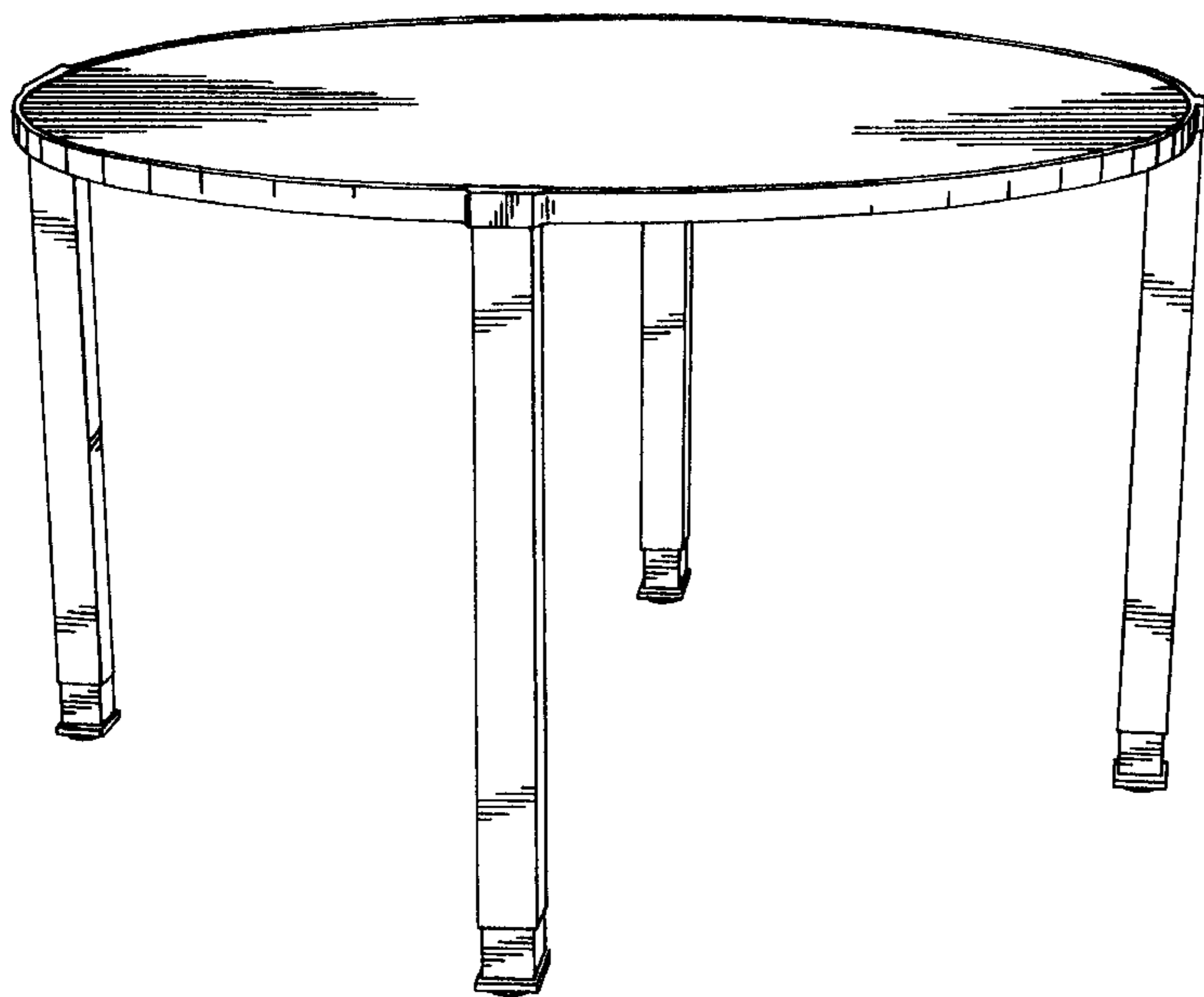
FIG. 4 is a typical side elevational view thereof.

[56] **References Cited**

U.S. PATENT DOCUMENTS

- D. 35,045 9/1901 Stickley D6/484

1 Claim, 2 Drawing Sheets



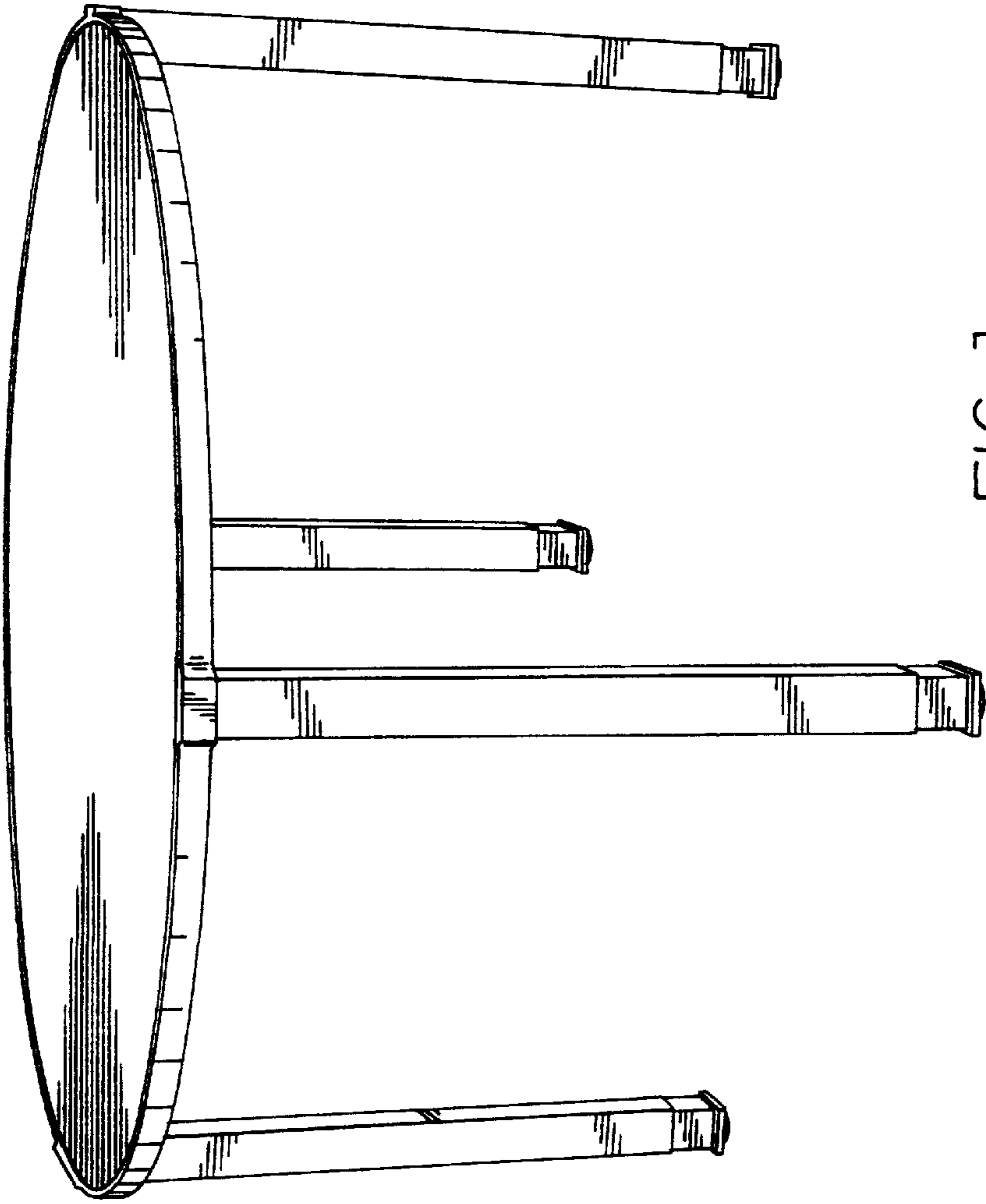


FIG. 1

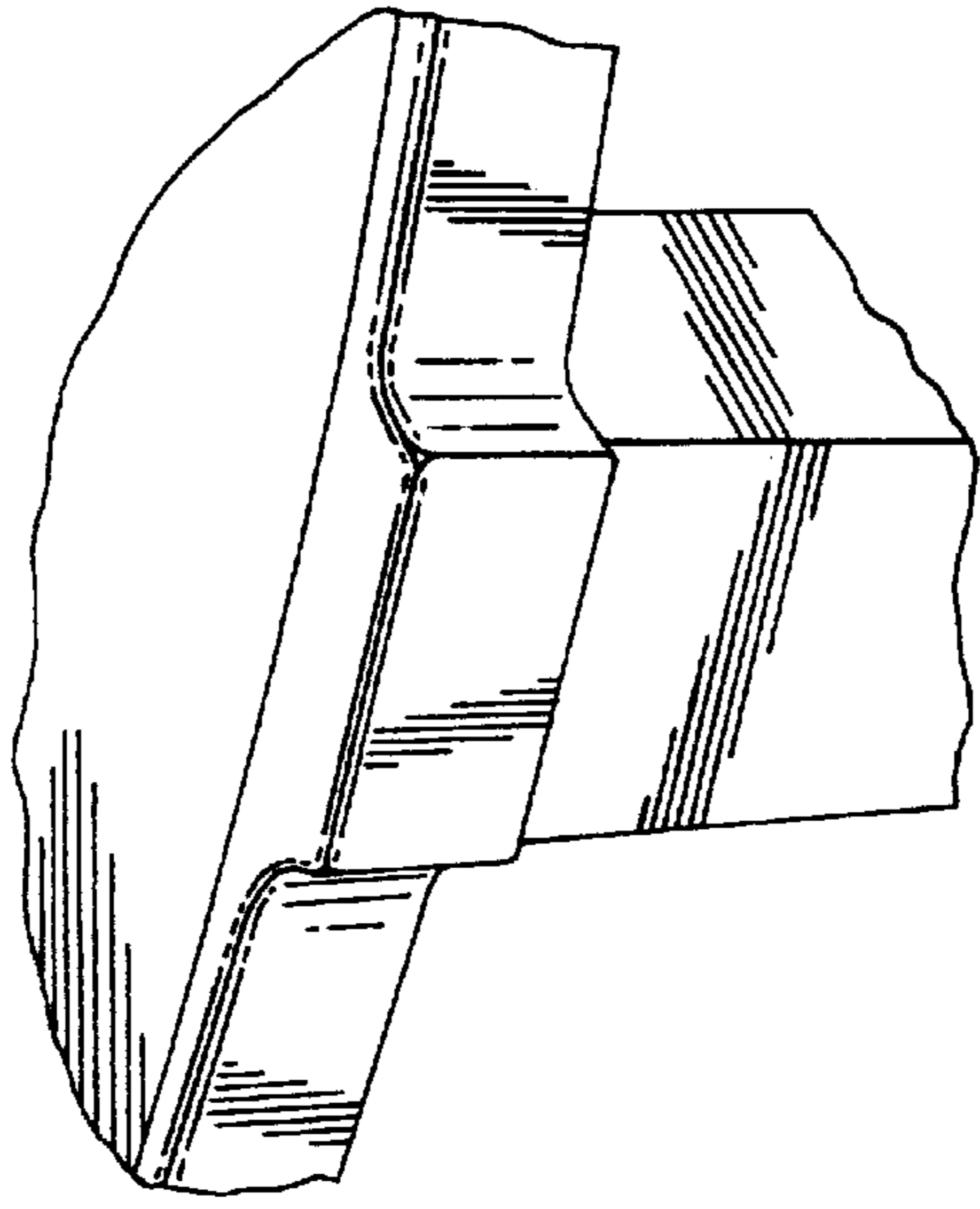


FIG. 2

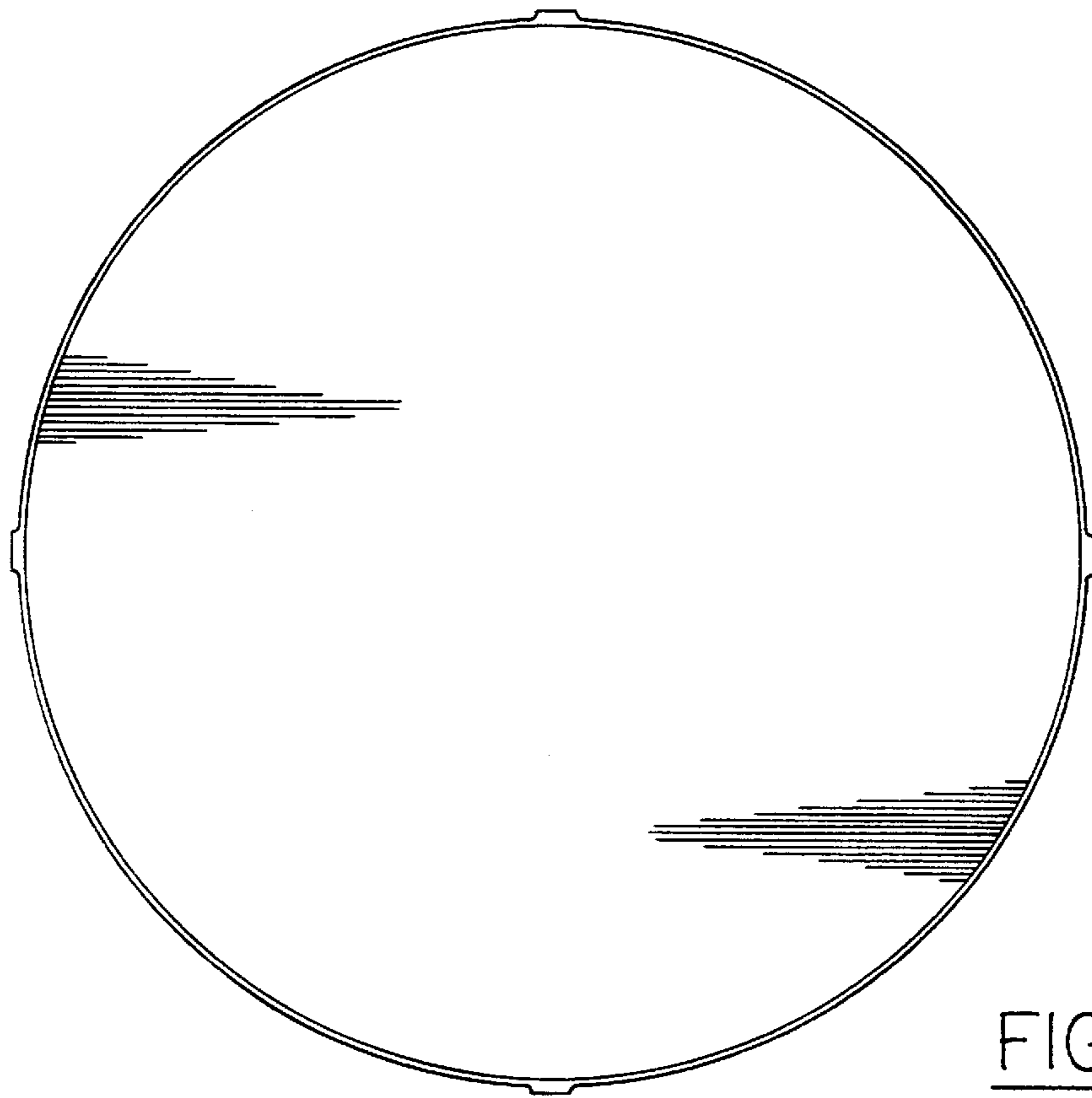


FIG. 3

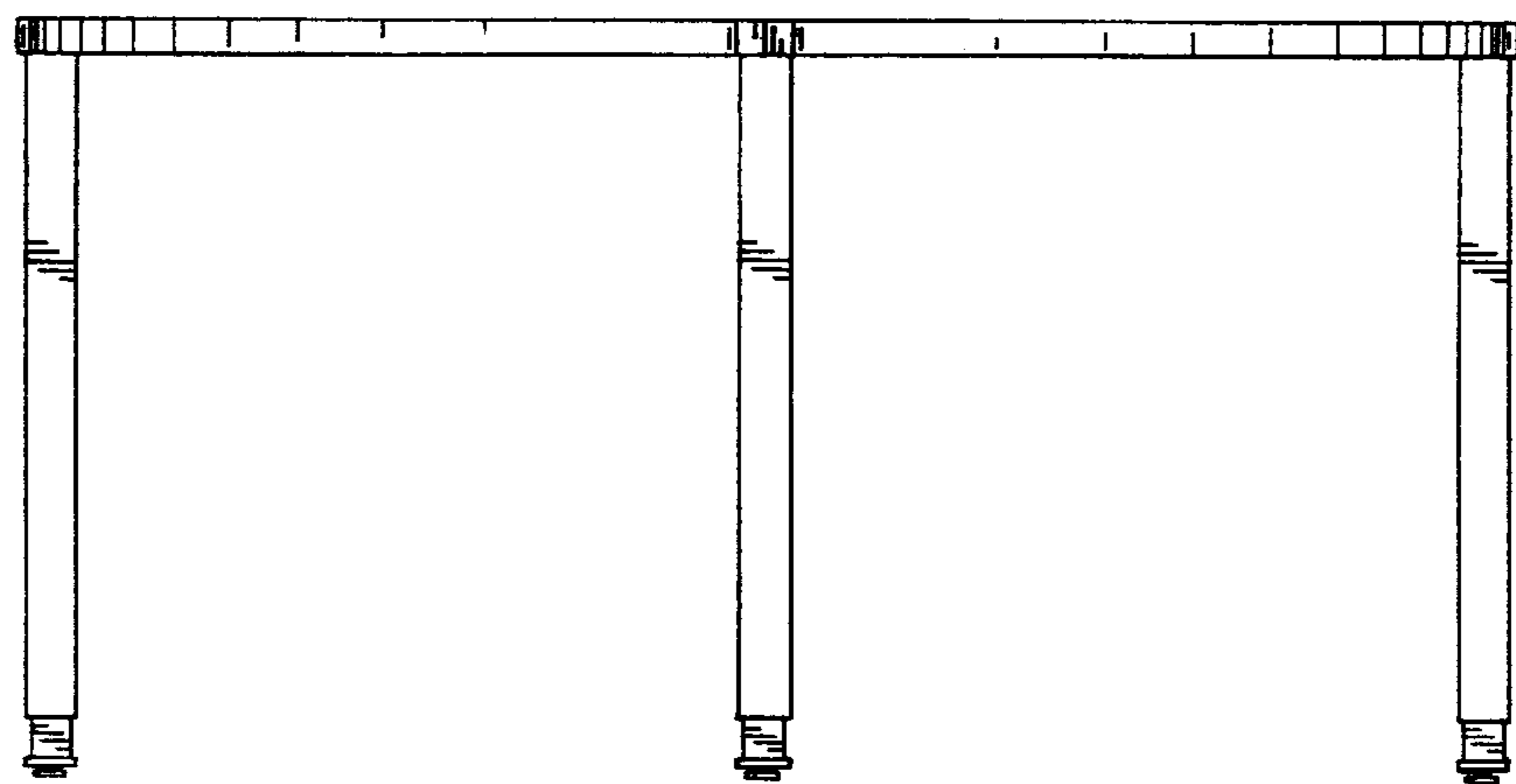


FIG. 4