



US00D424836S

**United States Patent** [19]  
**Kopala, Jr.**

[11] **Patent Number: Des. 424,836**

[45] **Date of Patent: \*\* May 16, 2000**

[54] **DISPLAY RACK**

[75] Inventor: **Walter W. Kopala, Jr.**, Coto de Caza, Calif.

[73] Assignee: **Alltrade Inc.**, Long Beach, Calif.

[\*\*] Term: **14 Years**

[21] Appl. No.: **29/099,796**

[22] Filed: **Jan. 28, 1999**

[51] **LOC (7) Cl.** ..... **06-04**

[52] **U.S. Cl.** ..... **D6/465**

[58] **Field of Search** ..... D6/462-465, 477, D6/479; 211/134, 153, 181.1, 182

[56] **References Cited**

**U.S. PATENT DOCUMENTS**

- D. 314,101 1/1991 Kee ..... D6/465
- D. 314,679 2/1991 Kee ..... D6/465
- D. 319,356 8/1991 Vukelich, Sr. .... D6/464 X
- D. 323,256 1/1992 Kee ..... D6/465

D. 328,400 8/1992 Kee ..... D6/465

*Primary Examiner*—Doris V. Coles  
*Assistant Examiner*—Linda Brooks  
*Attorney, Agent, or Firm*—Robert R. Thornton

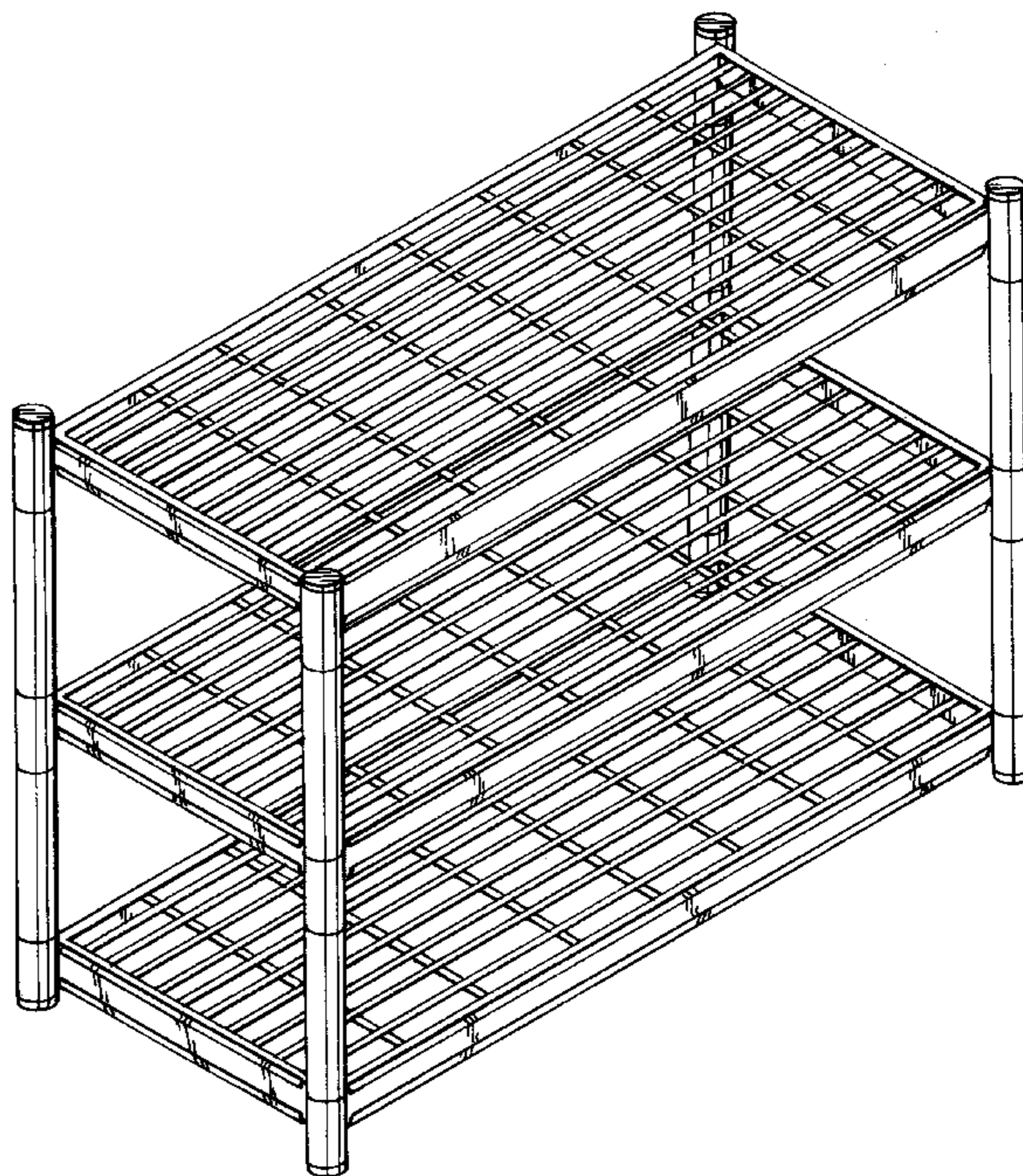
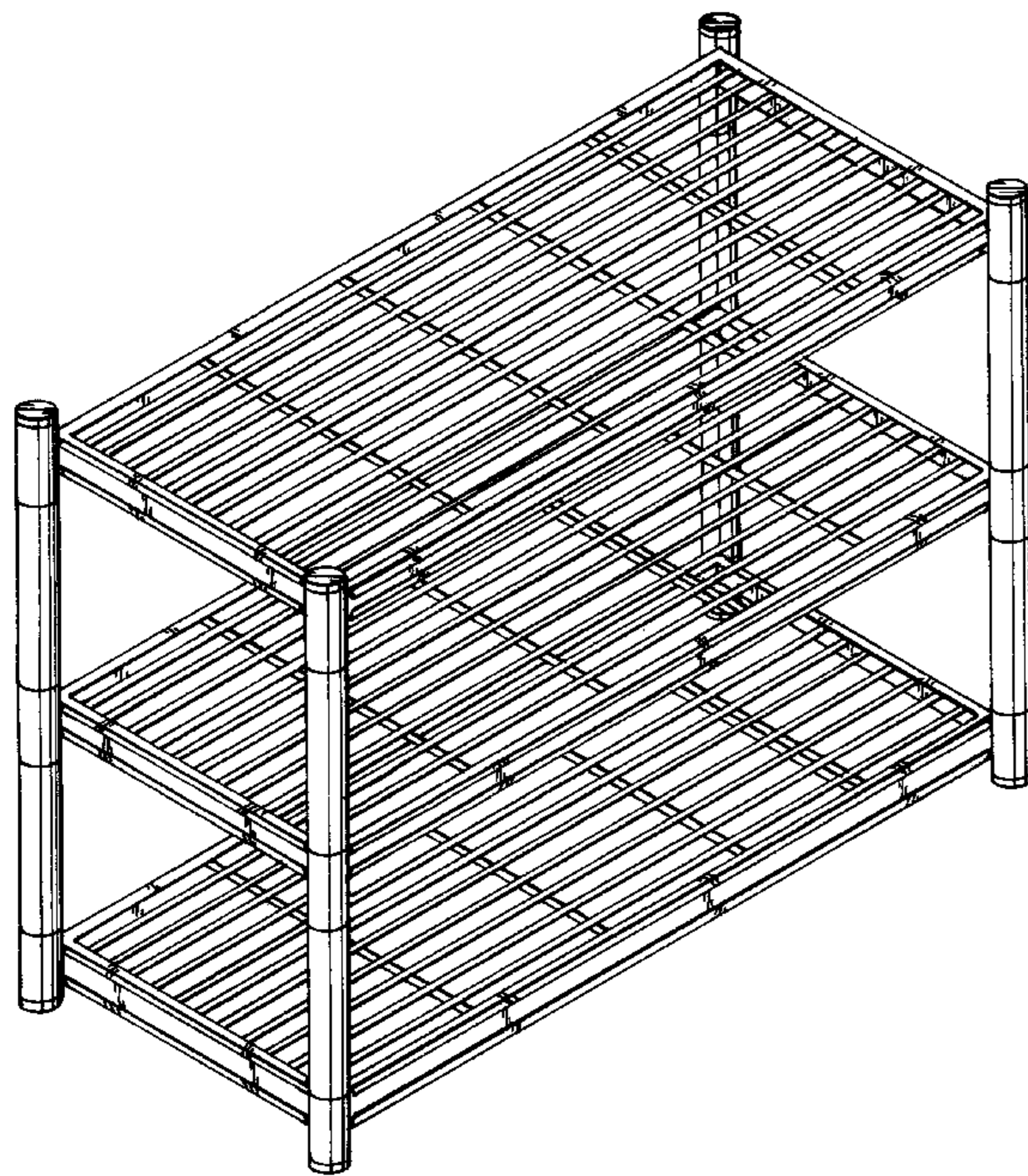
[57] **CLAIM**

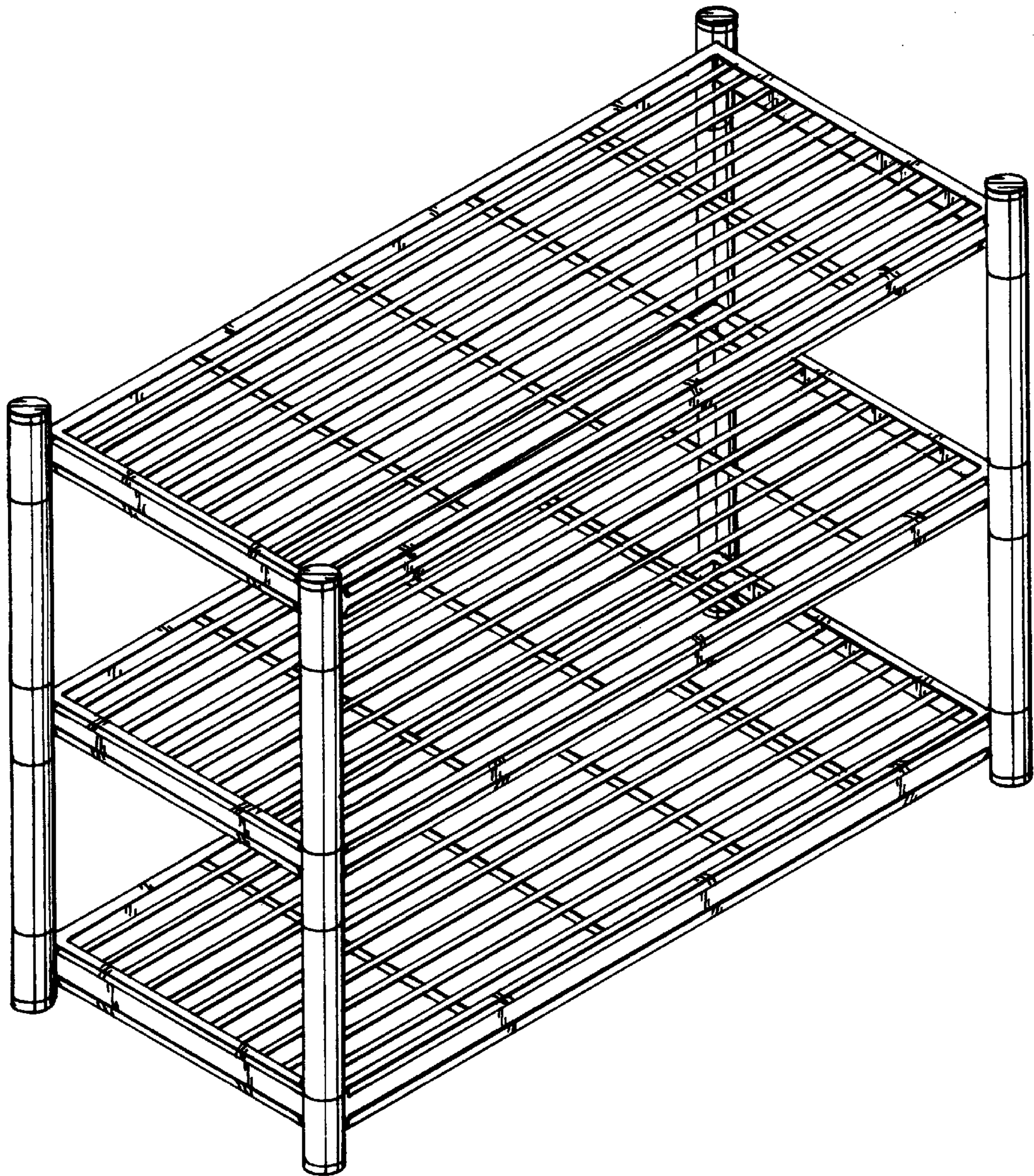
The ornamental design for a display rack, as shown and described.

**DESCRIPTION**

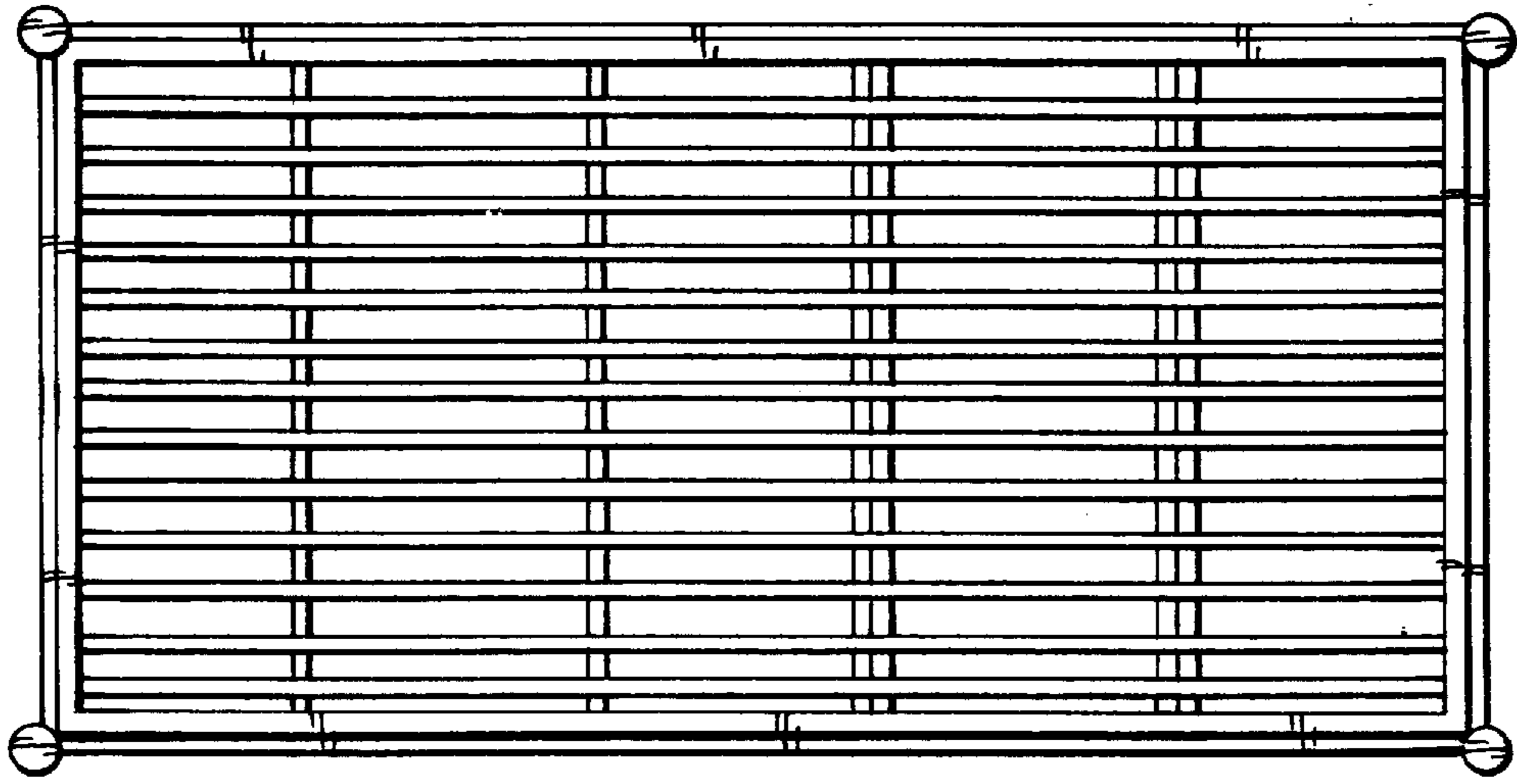
FIG. 1 is a perspective view of a display rack showing my new design;  
FIG. 2 is a top plan view thereof;  
FIG. 3 is a front elevational view thereof, the rear elevation being a mirror image thereof;  
FIG. 4 is a left side elevational view thereof, the right side elevation being a mirror image thereof;  
FIG. 5 is a bottom plan view thereof; and,  
FIG. 6 is a perspective view of an alternate embodiment of my display rack, which differs from the embodiment of FIGS. 1 through 5 only in the width of the rack shelves.

**1 Claim, 4 Drawing Sheets**

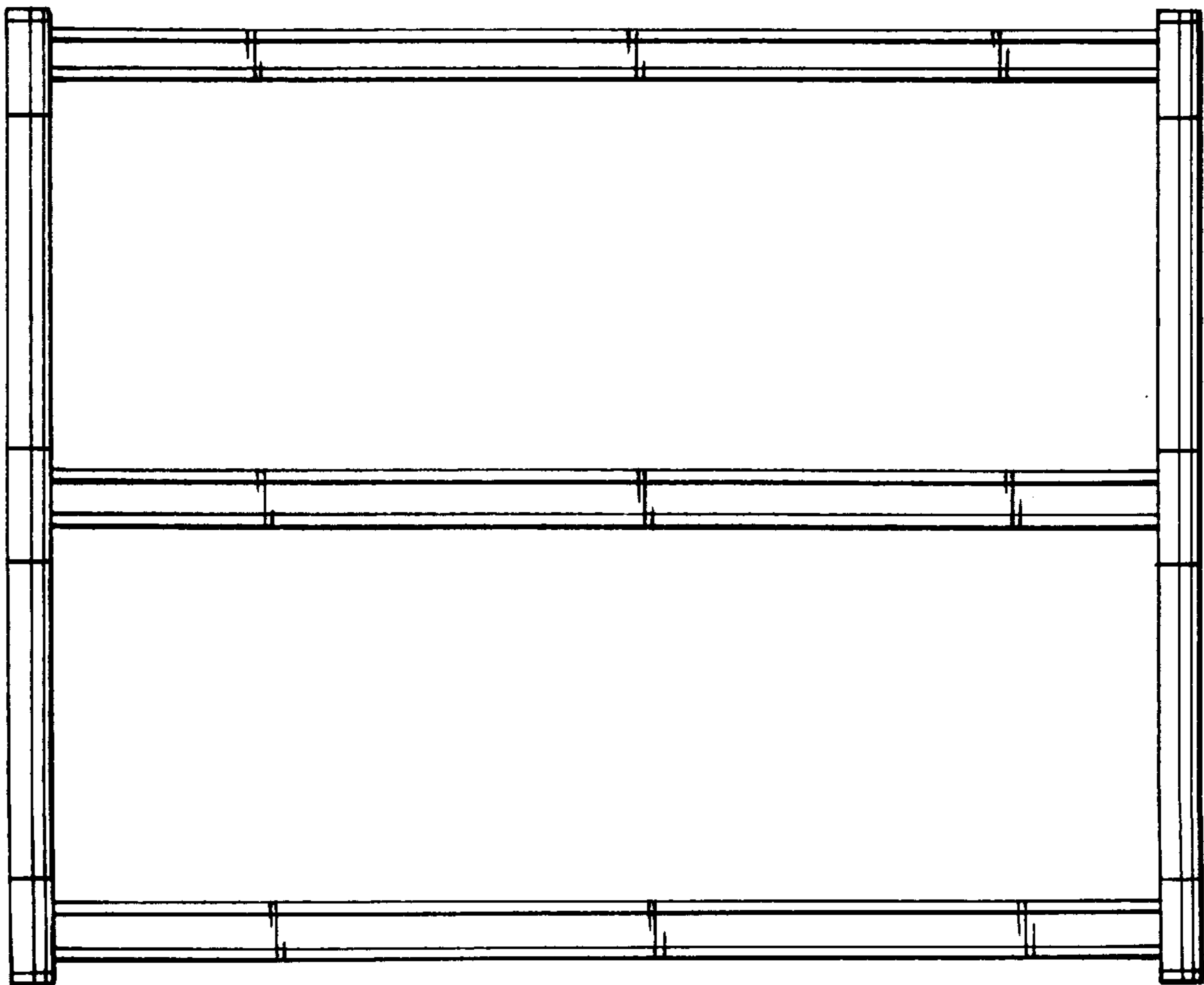




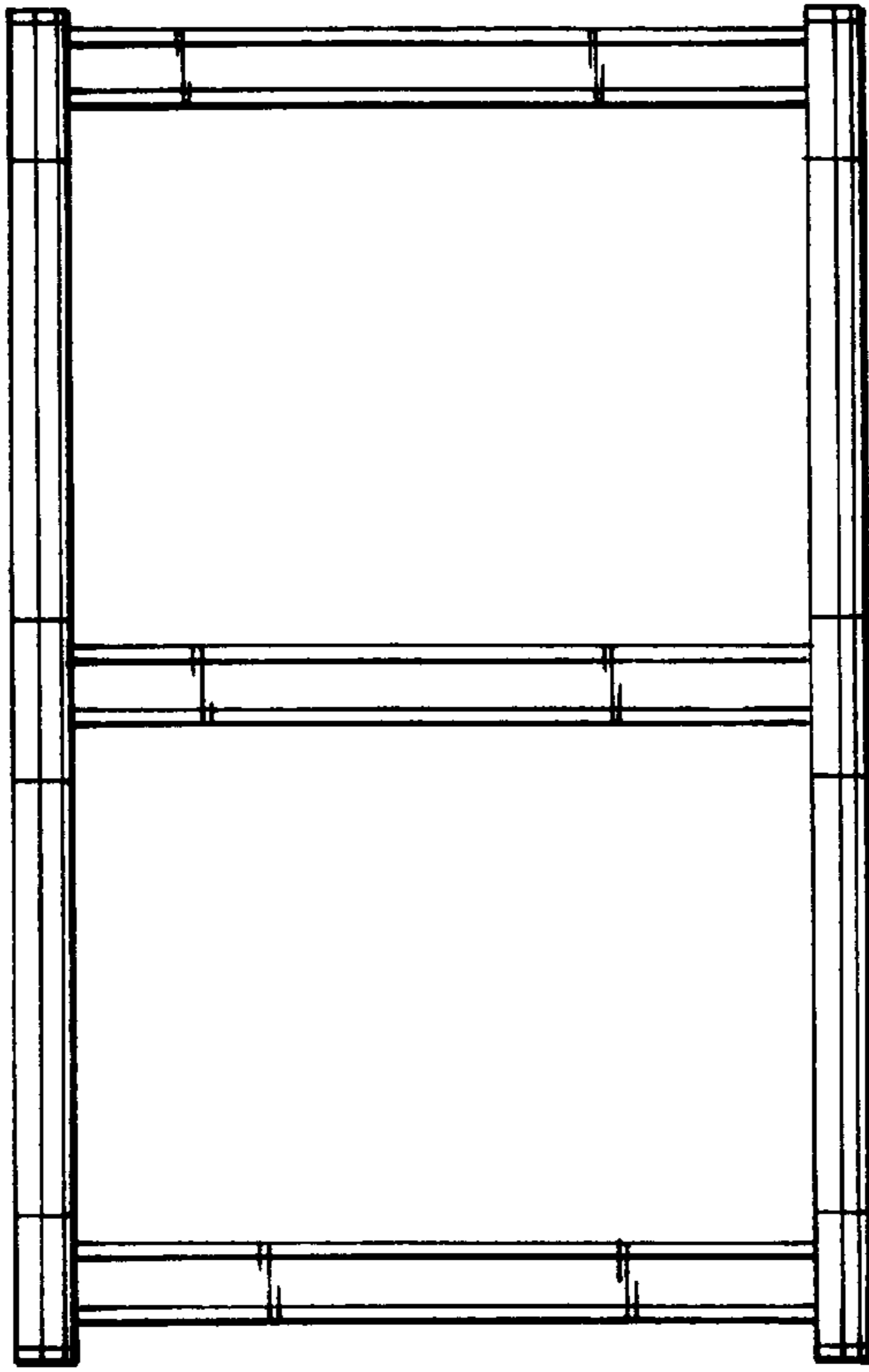
*Fig. 1*



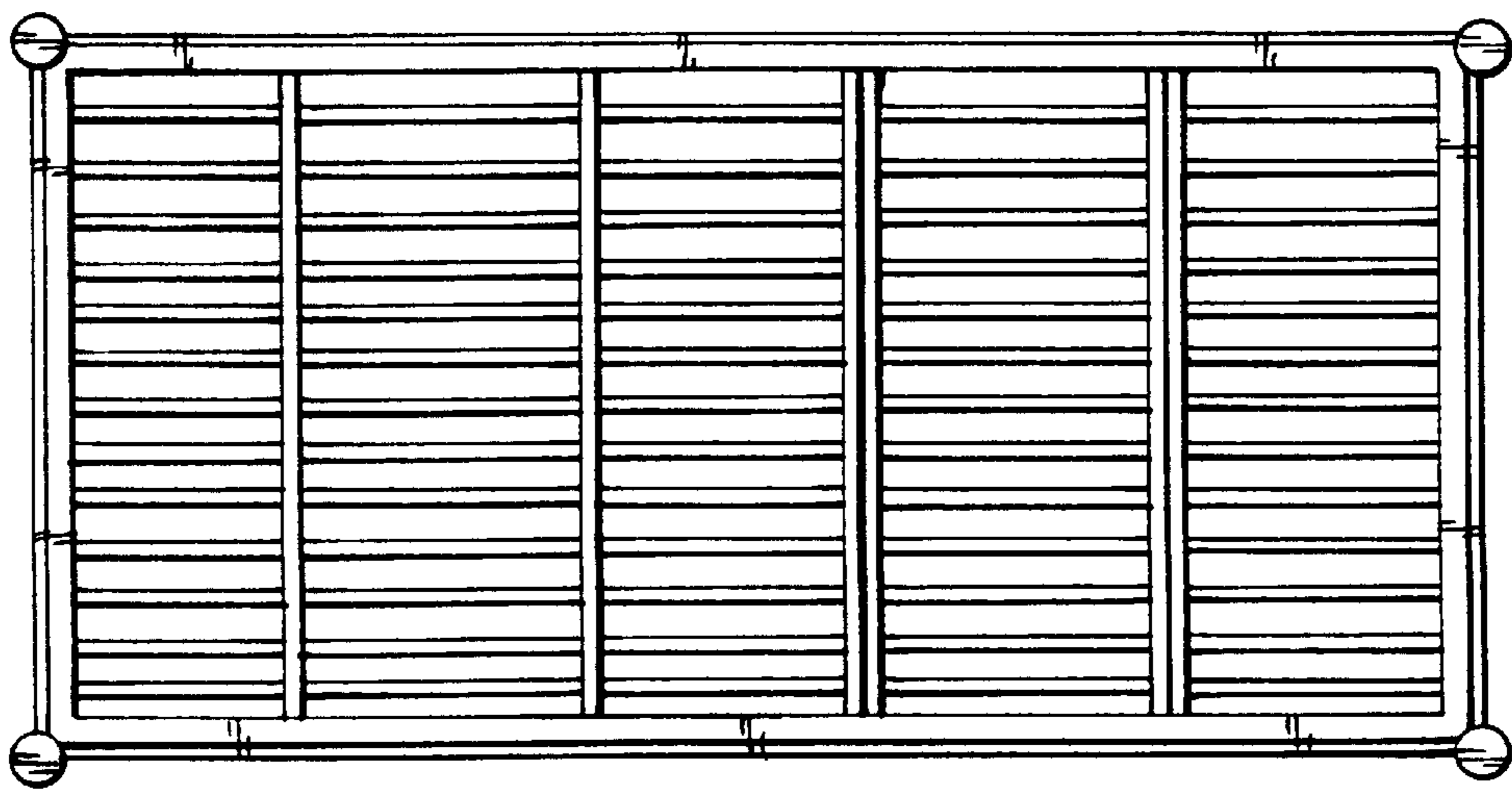
*Fig. 2*



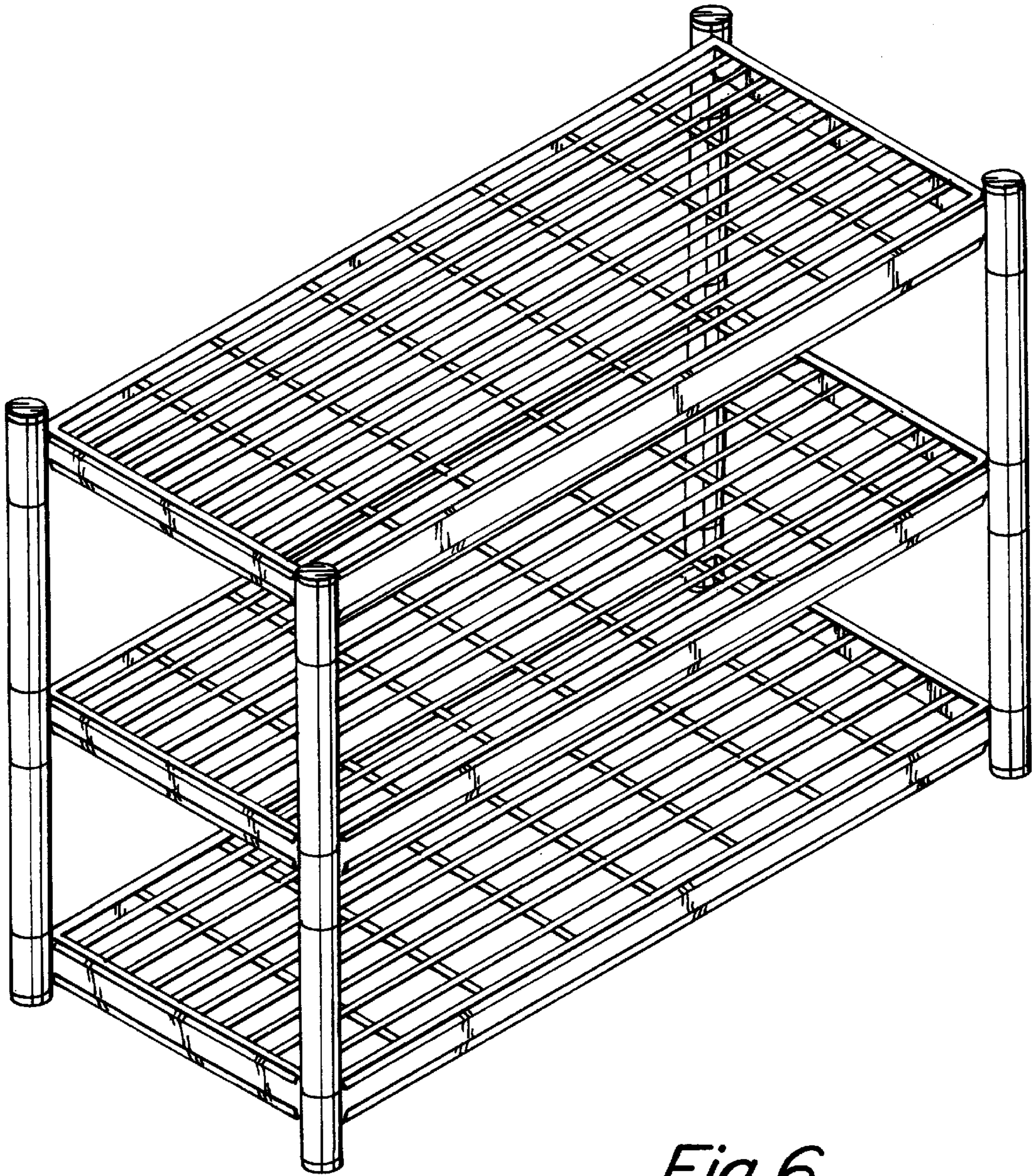
*Fig. 3*



*Fig. 4*



*Fig. 5*



*Fig. 6*