



US00D424828S

# United States Patent [19] Ko

[11] **Patent Number: Des. 424,828**

[45] **Date of Patent: \*\* May 16, 2000**

[54] **COMPUTER DESK**

[76] Inventor: **Wen-Shan Ko**, P. O. Box 23-487,  
Changhua City 500, Taiwan

[\*\*] Term: **14 Years**

[21] Appl. No.: **29/108,221**

[22] Filed: **Jul. 22, 1999**

### [30] Foreign Application Priority Data

May 13, 1999 [TW] Taiwan ..... 88303095

[51] **LOC (7) Cl.** ..... **06-03**

[52] **U.S. Cl.** ..... **D6/429; D6/480**

[58] **Field of Search** ..... D6/480-489, 495,  
D6/429, 477, 422; 108/155, 156, 157.1,  
161, 50.01, 101; 248/188, 188.1, 188.7,  
188.8; 312/196, 195, 208.1

### [56] References Cited

#### U.S. PATENT DOCUMENTS

D. 283,094 3/1986 Strand et al. .... D6/478

D. 355,547 2/1995 Liston ..... D6/480  
D. 411,926 7/1999 Brown et al. .... D6/429  
5,868,079 2/1999 Charny ..... 108/7  
5,967,631 10/1999 Ko ..... 312/194

*Primary Examiner*—Janice E. Seeger

### [57] CLAIM

The ornamental design for a computer desk, as shown and described.

### DESCRIPTION

FIG. 1 is a front elevational view of a computer desk showing my new design;

FIG. 2 is rear elevational view thereof;

FIG. 3 is a left side elevational view thereof;

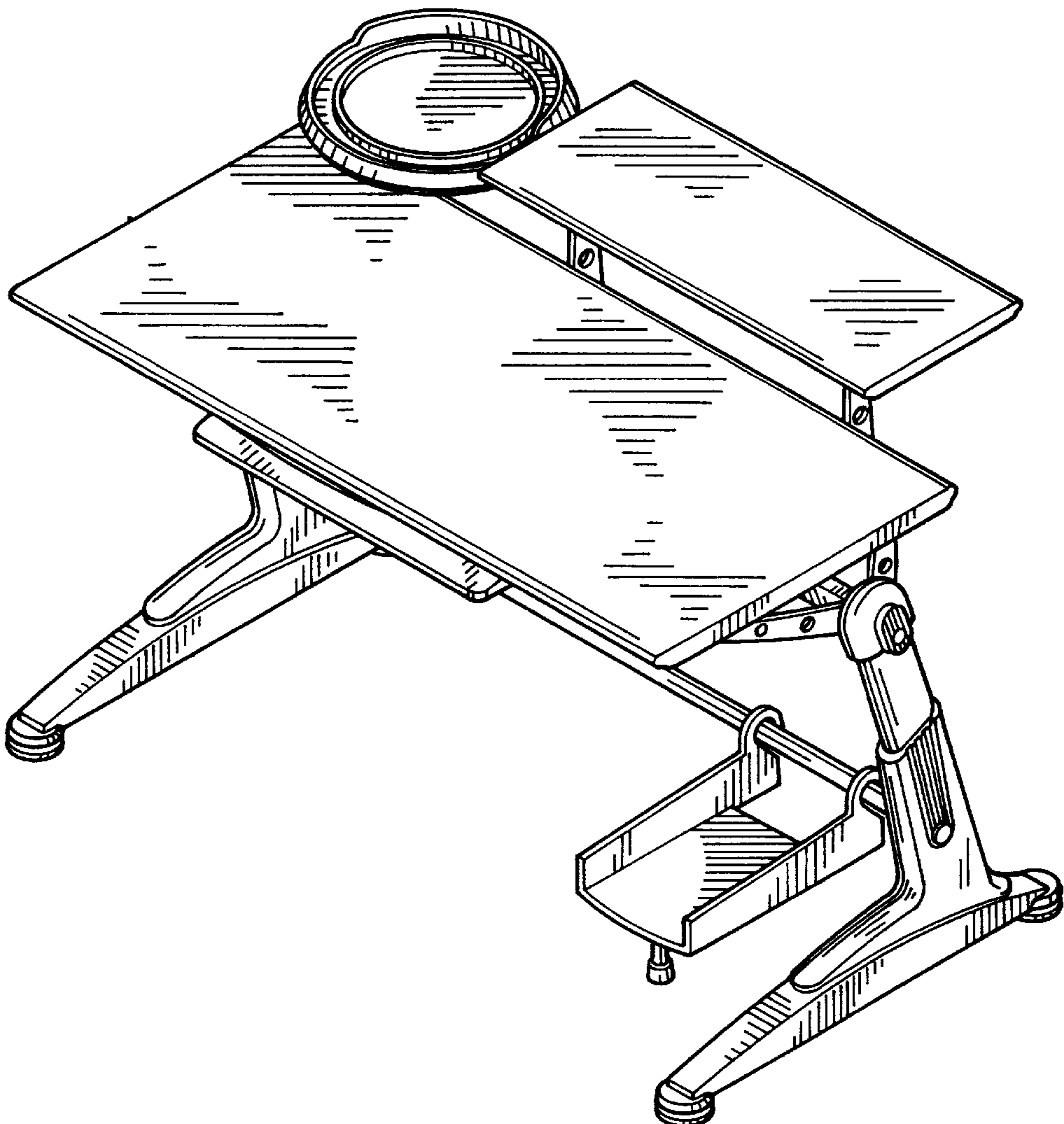
FIG. 4 is a right side elevational view thereof;

FIG. 5 is a top plan view thereof;

FIG. 6 is bottom plan view thereof; and,

FIG. 7 is a perspective view thereof.

**1 Claim, 7 Drawing Sheets**



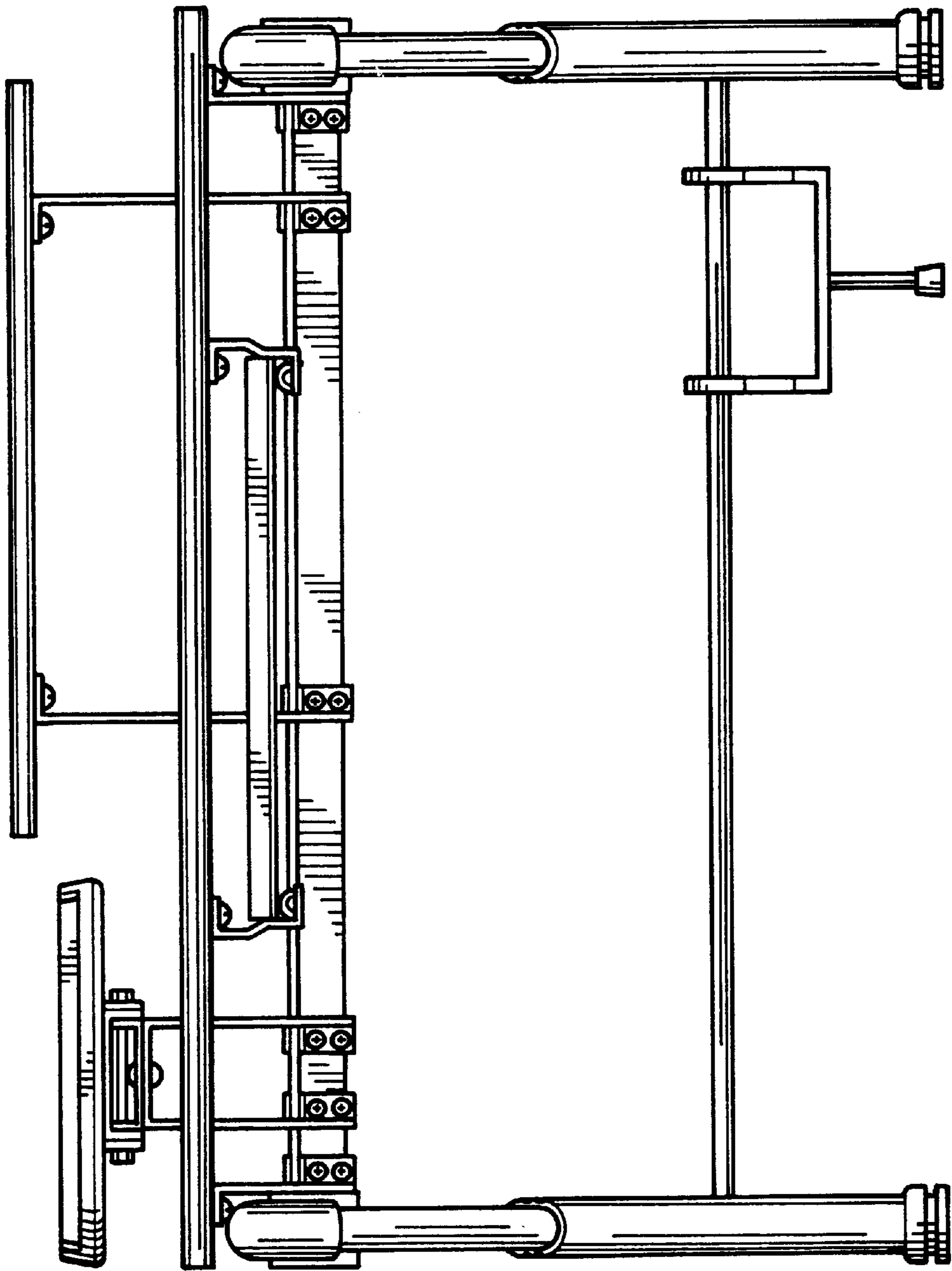


FIG 1

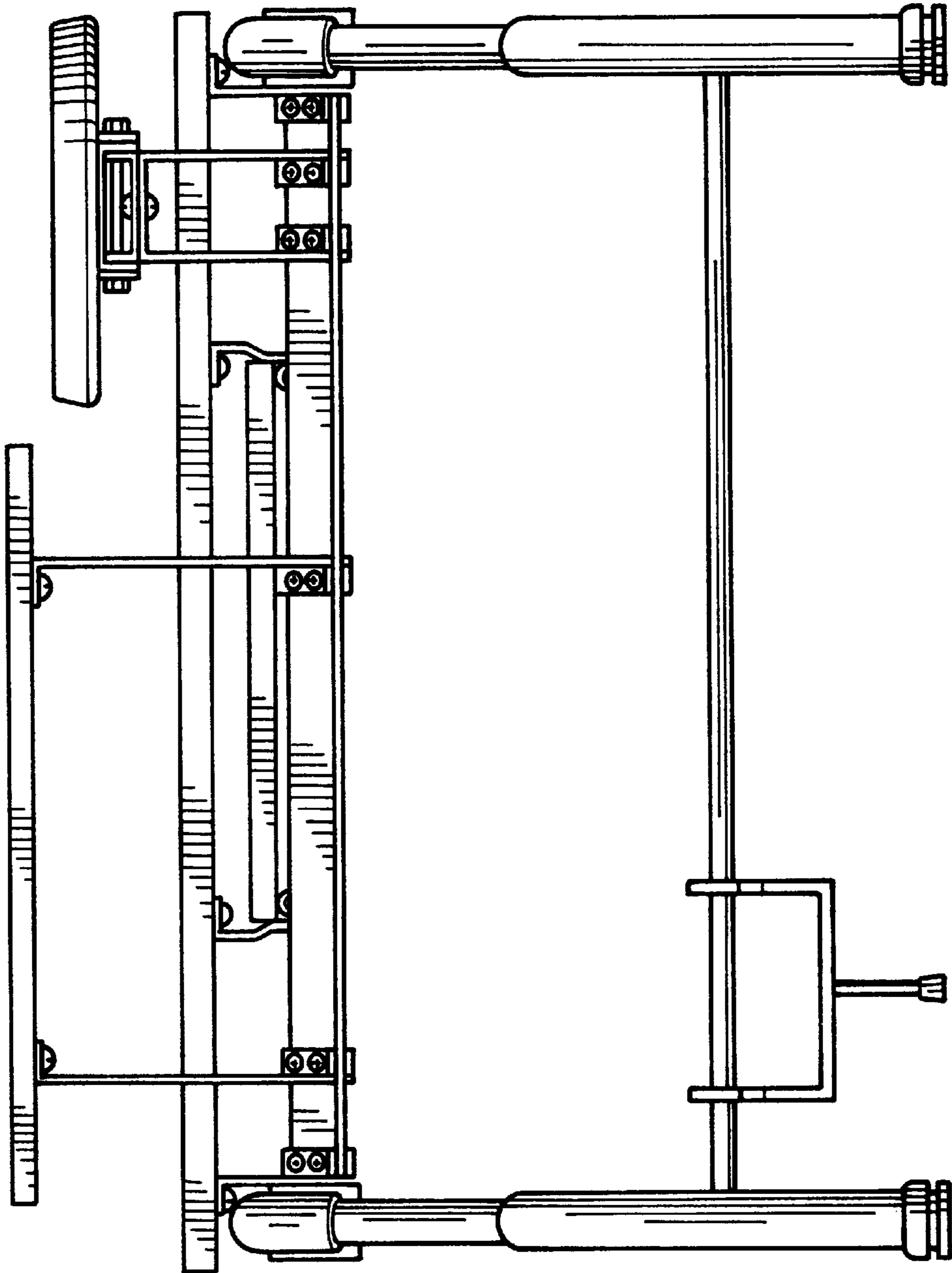


FIG 2

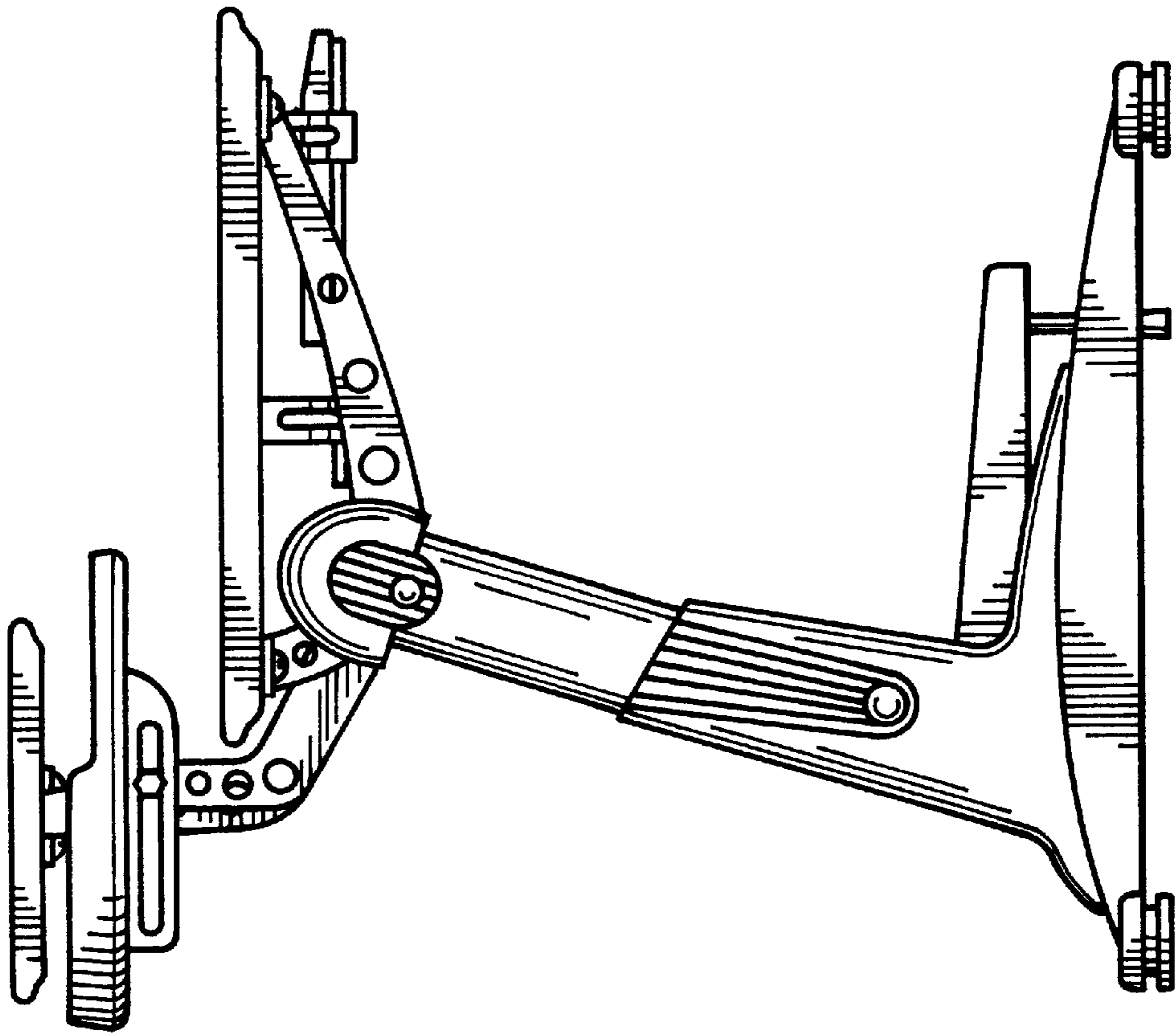


FIG 3

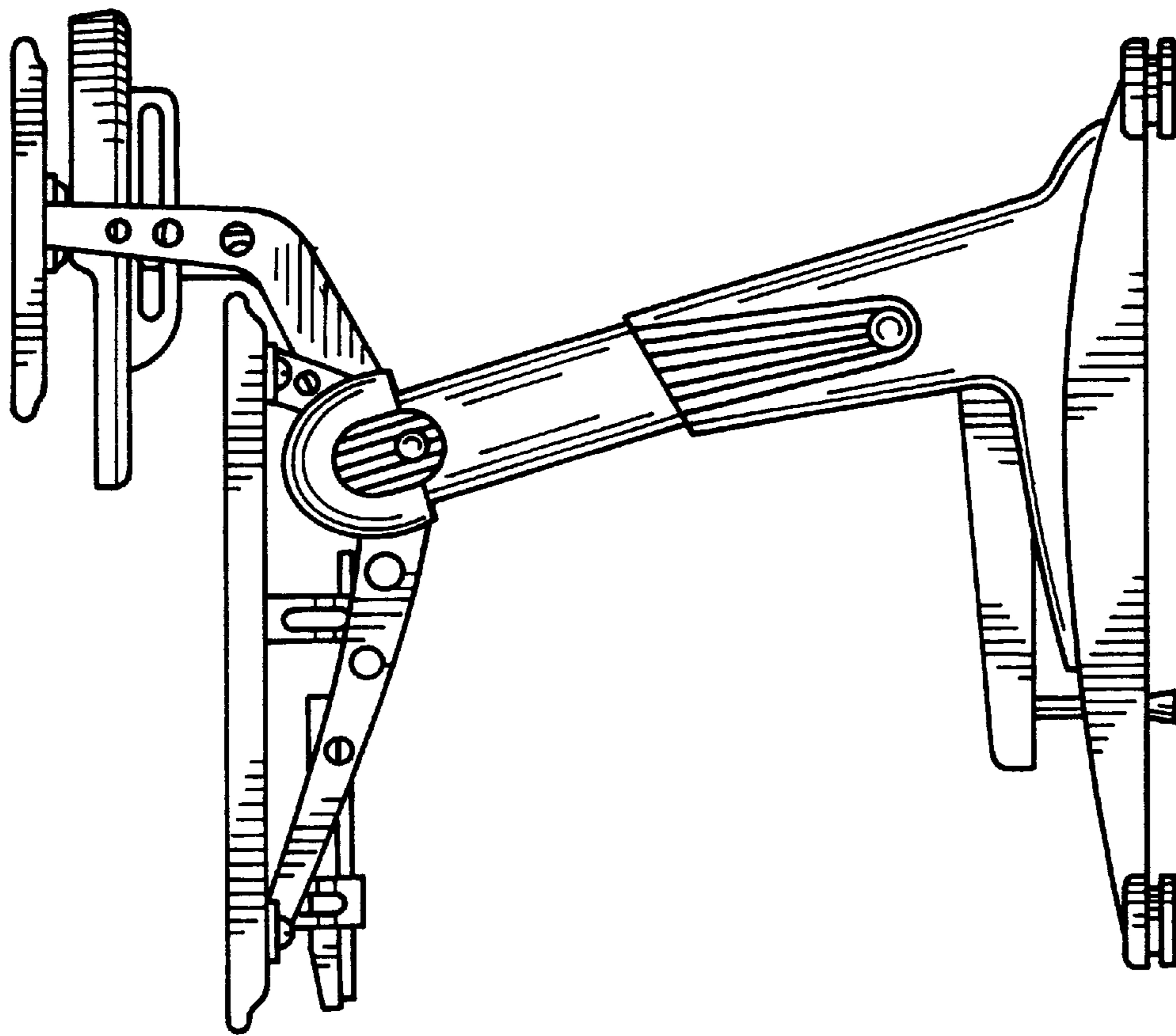


FIG 4

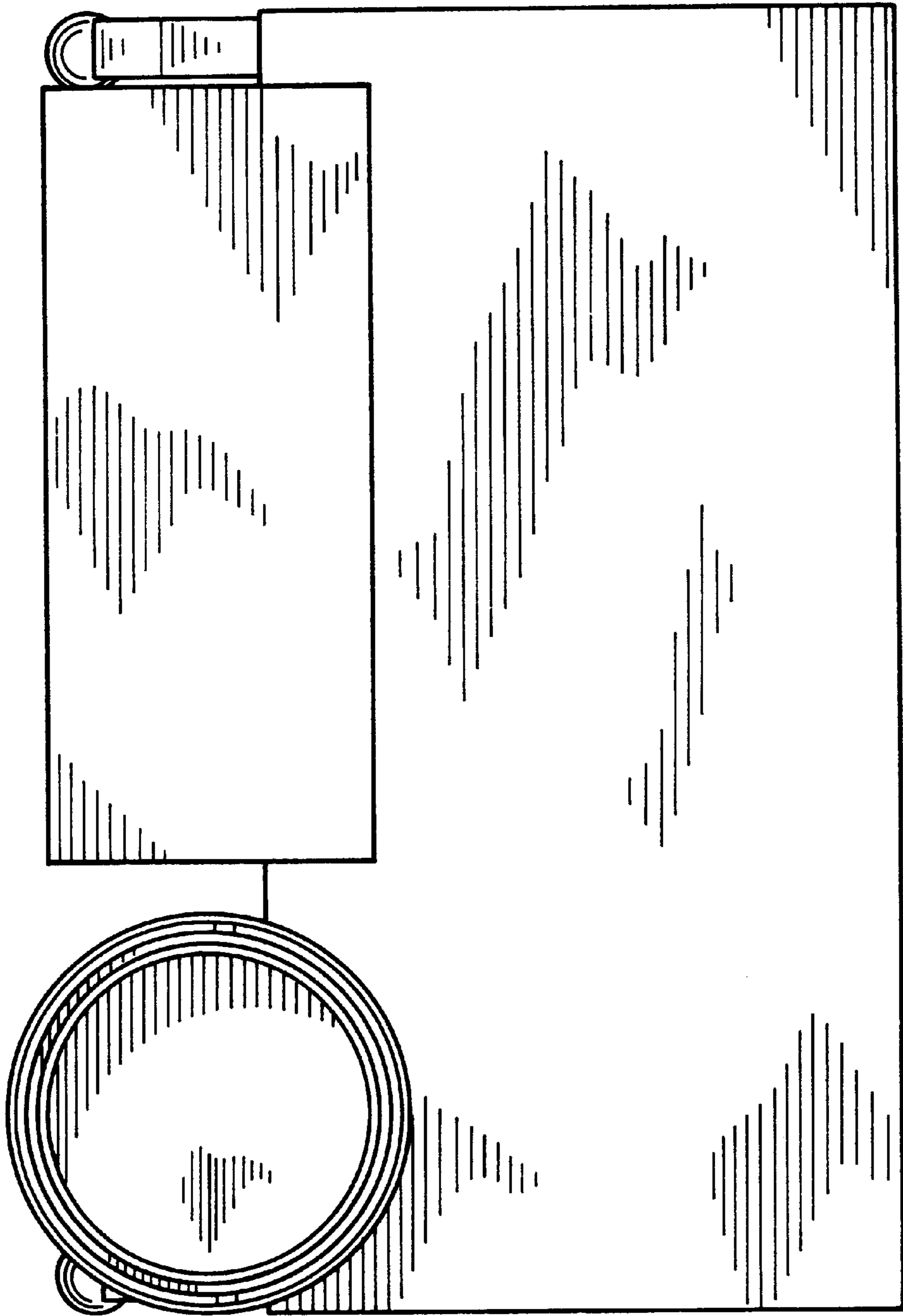


FIG 5

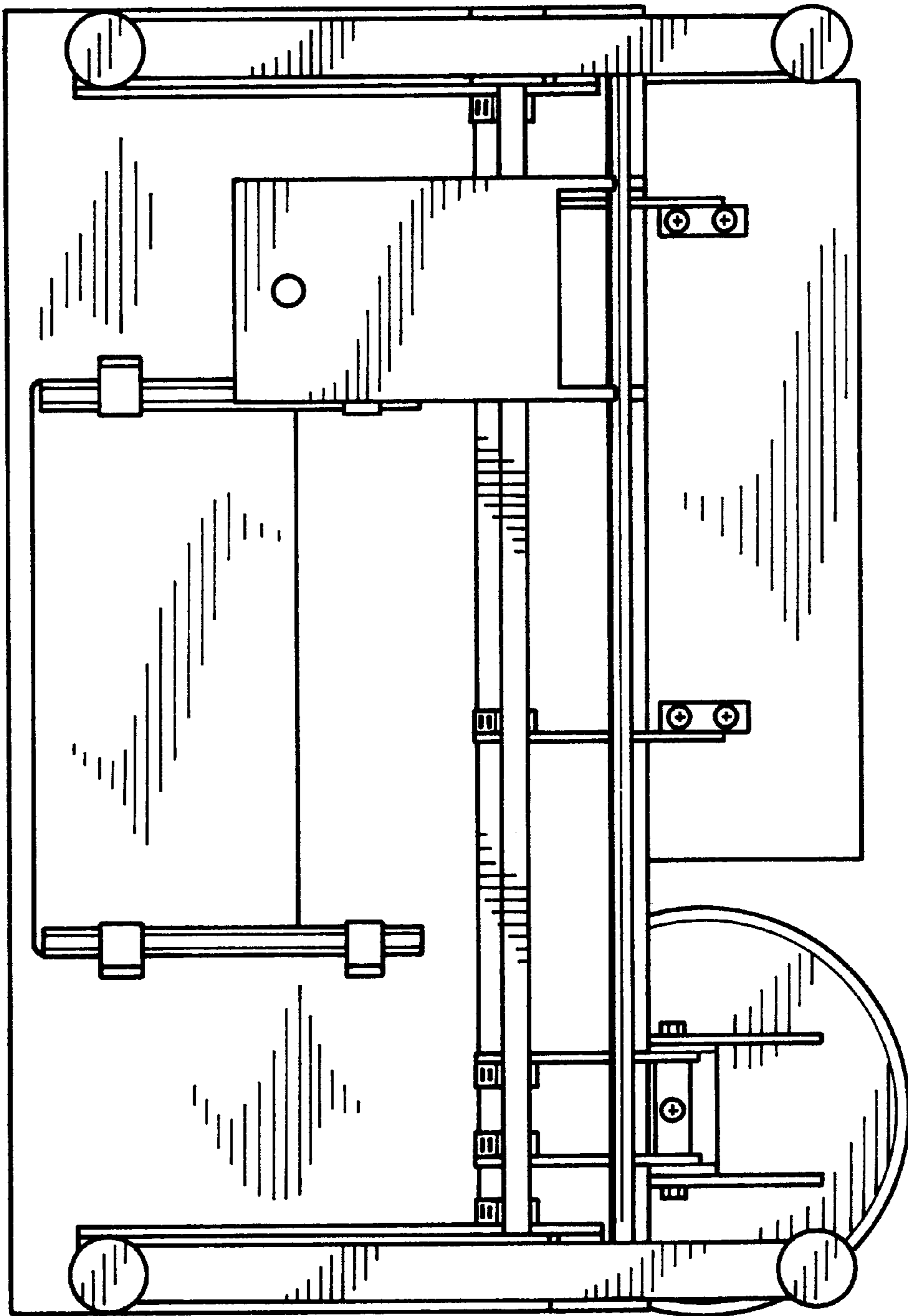


FIG 6

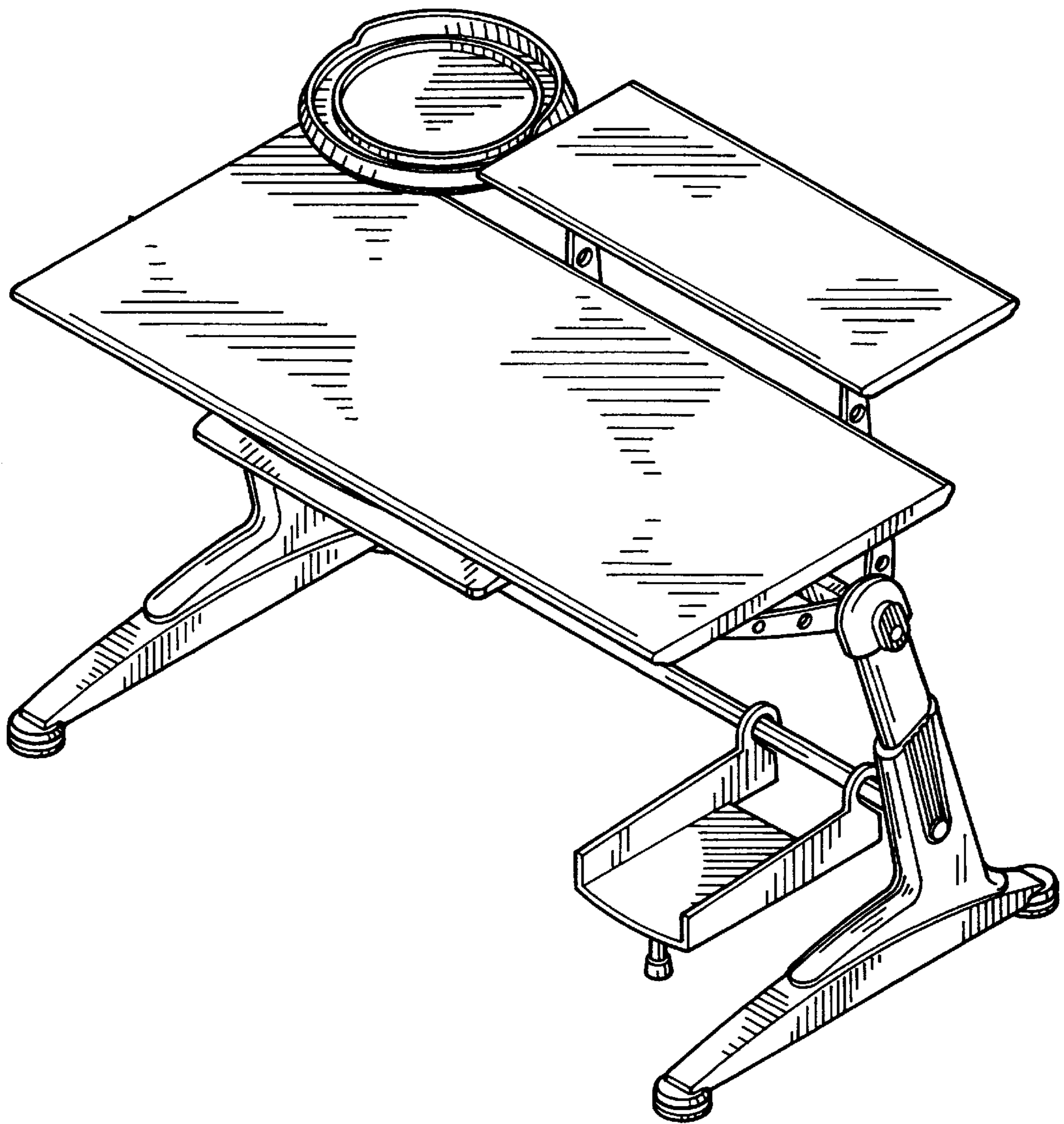


FIG 7