



US00D424827S

United States Patent [19] Ko

[11] **Patent Number: Des. 424,827**

[45] **Date of Patent: ** May 16, 2000**

[54] **COMPUTER DESK HAVING ASCENDIBLE AND DESCENDIBLE DESK TOPS**

[76] Inventor: **Wen-Shan Ko**, P.O. Box 23-487, Changhua City 500, Taiwan

[**] Term: **14 Years**

[21] Appl. No.: **29/104,302**

[22] Filed: **May 3, 1999**

[30] **Foreign Application Priority Data**

Jan. 22, 1999 [TW] Taiwan 88300371

[51] **LOC (7) Cl.** **06-03**

[52] **U.S. Cl.** **D6/429; D6/480**

[58] **Field of Search** D6/480-489, 495, D6/499, 429, 477, 422; 108/155, 156, 157, 161, 50.1, 101; 248/188, 188.1, 188.7, 188.8; 312/196, 195, 208.1

[56] **References Cited**

U.S. PATENT DOCUMENTS

D. 266,468 10/1982 Ylanko D6/431

D. 274,586 7/1984 Cope et al. D6/420
D. 323,436 1/1992 Harrison D6/429
5,623,881 4/1997 Huang 108/50
5,967,631 10/1999 Ko 312/194

Primary Examiner—Janice E. Seeger

[57] **CLAIM**

The ornamental design for a computer desk having ascendible and descendible desk tops, as shown and described.

DESCRIPTION

FIG. 1 is a front elevational view of a computer desk having ascendible and descendible desk tops showing my new design;

FIG. 2 is a rear elevational view thereof;

FIG. 3 is a left side elevational view thereof;

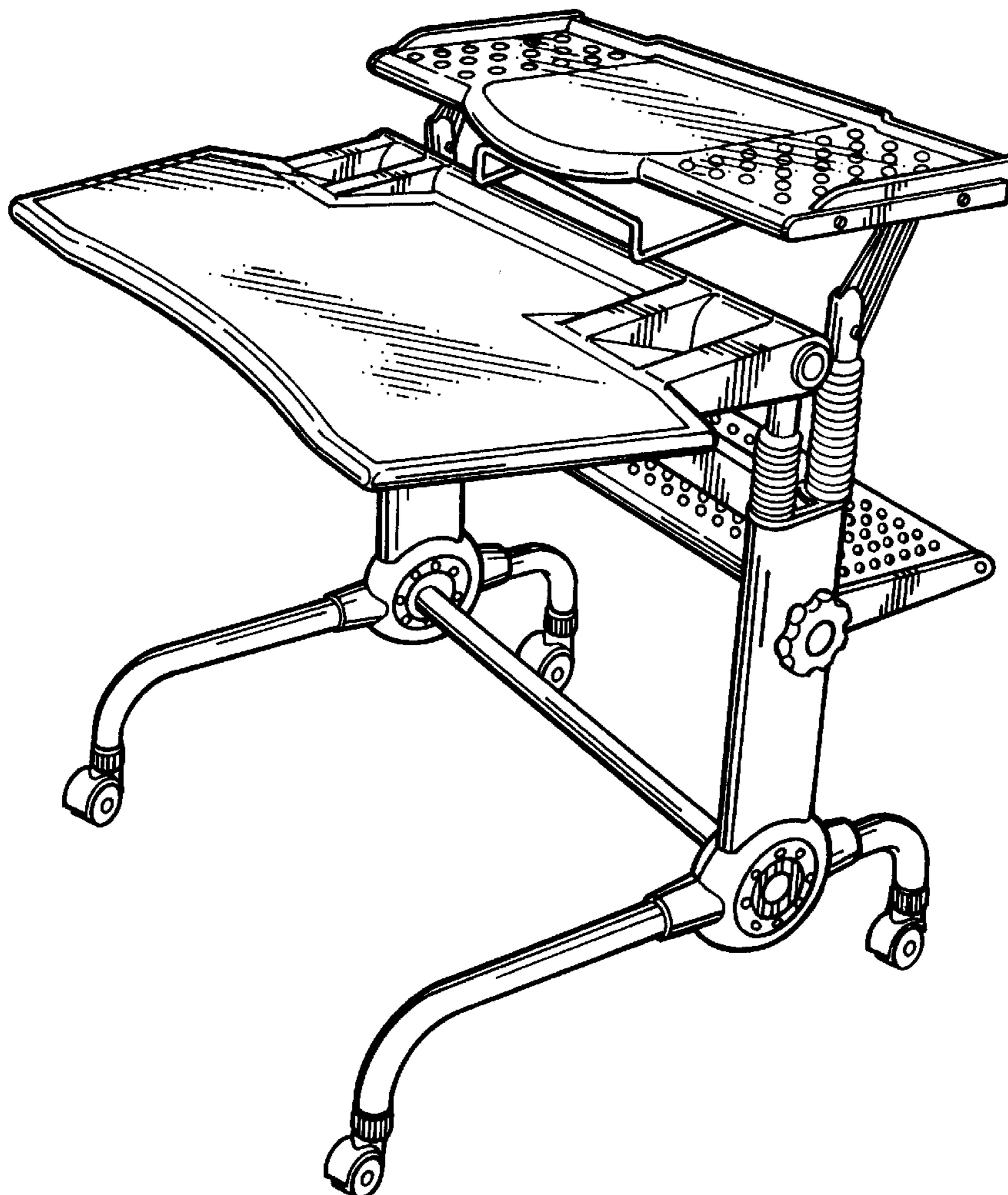
FIG. 4 is a right side elevational view thereof;

FIG. 5 is a top plan view thereof;

FIG. 6 is a bottom plan view thereof; and,

FIG. 7 is a perspective view thereof.

1 Claim, 7 Drawing Sheets



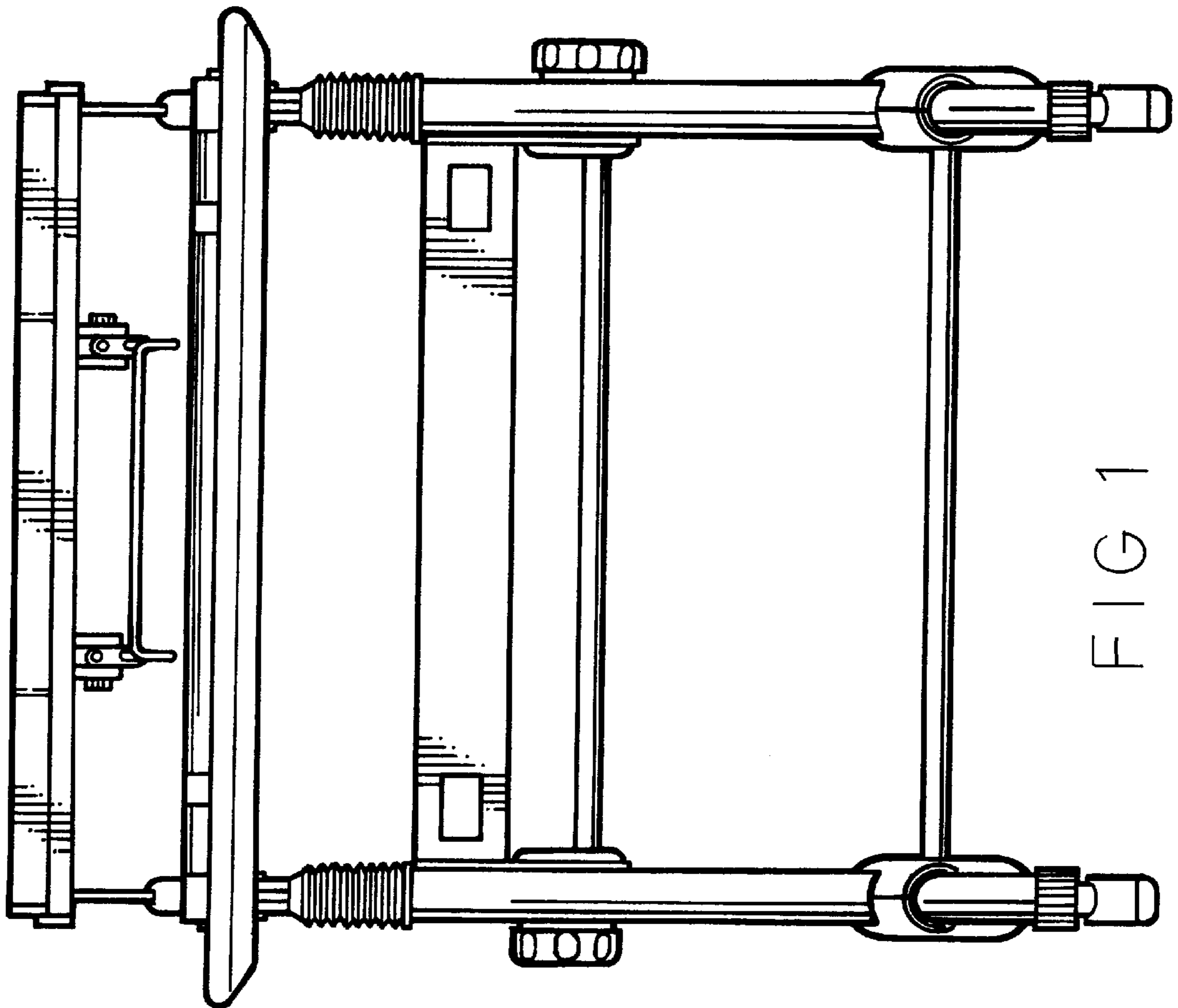


FIG 1

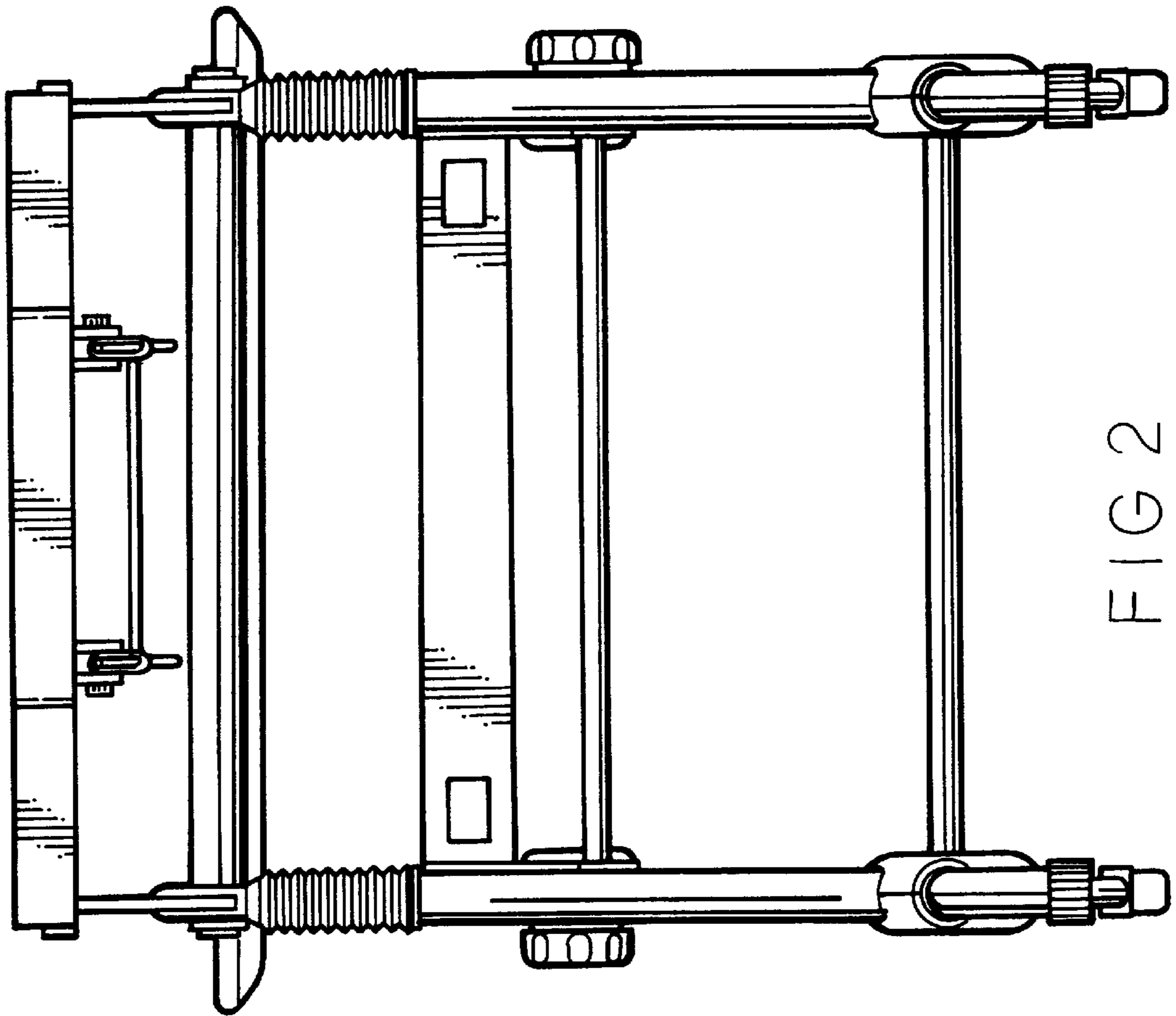


FIG 2

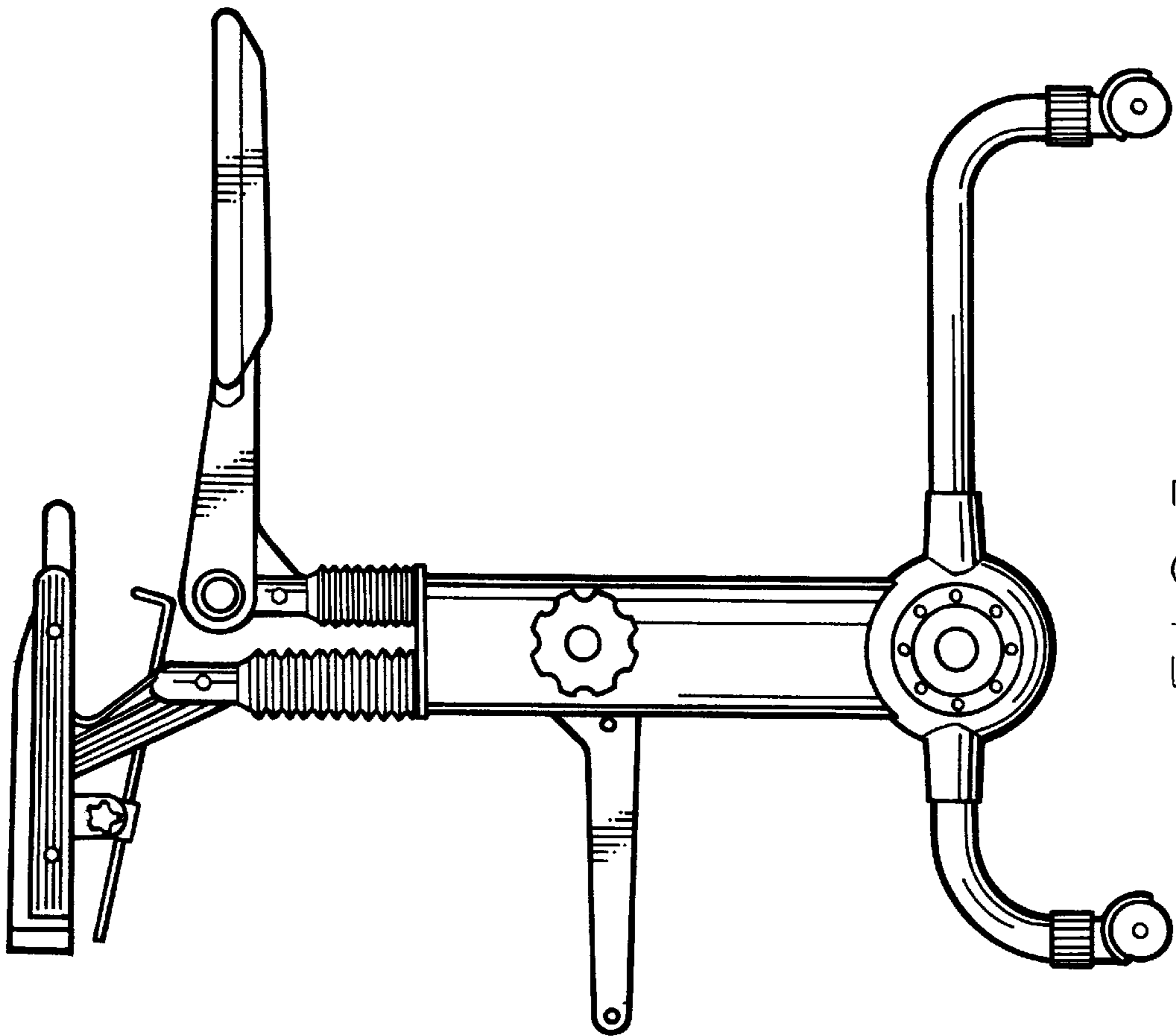


FIG 3

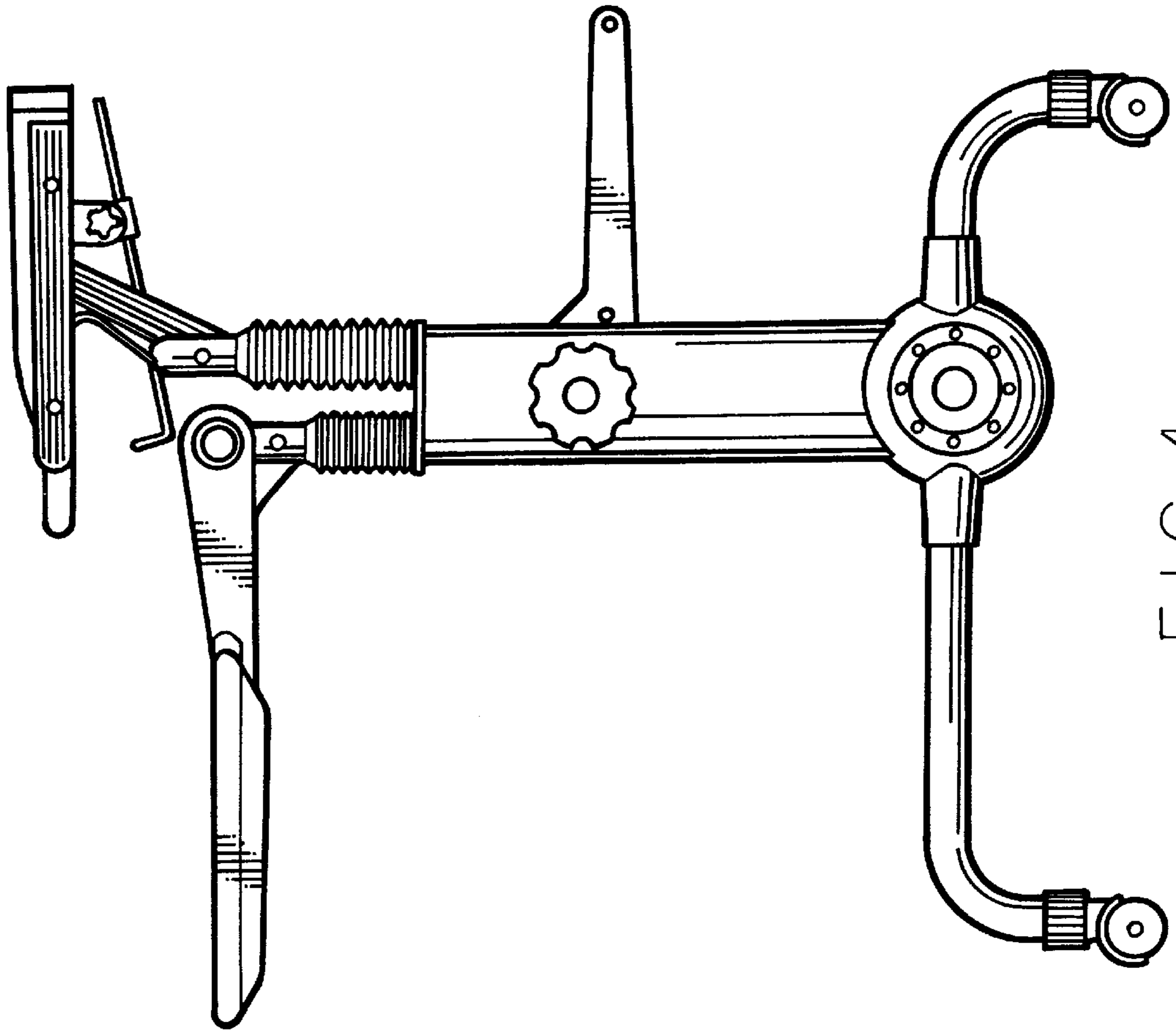


FIG 4

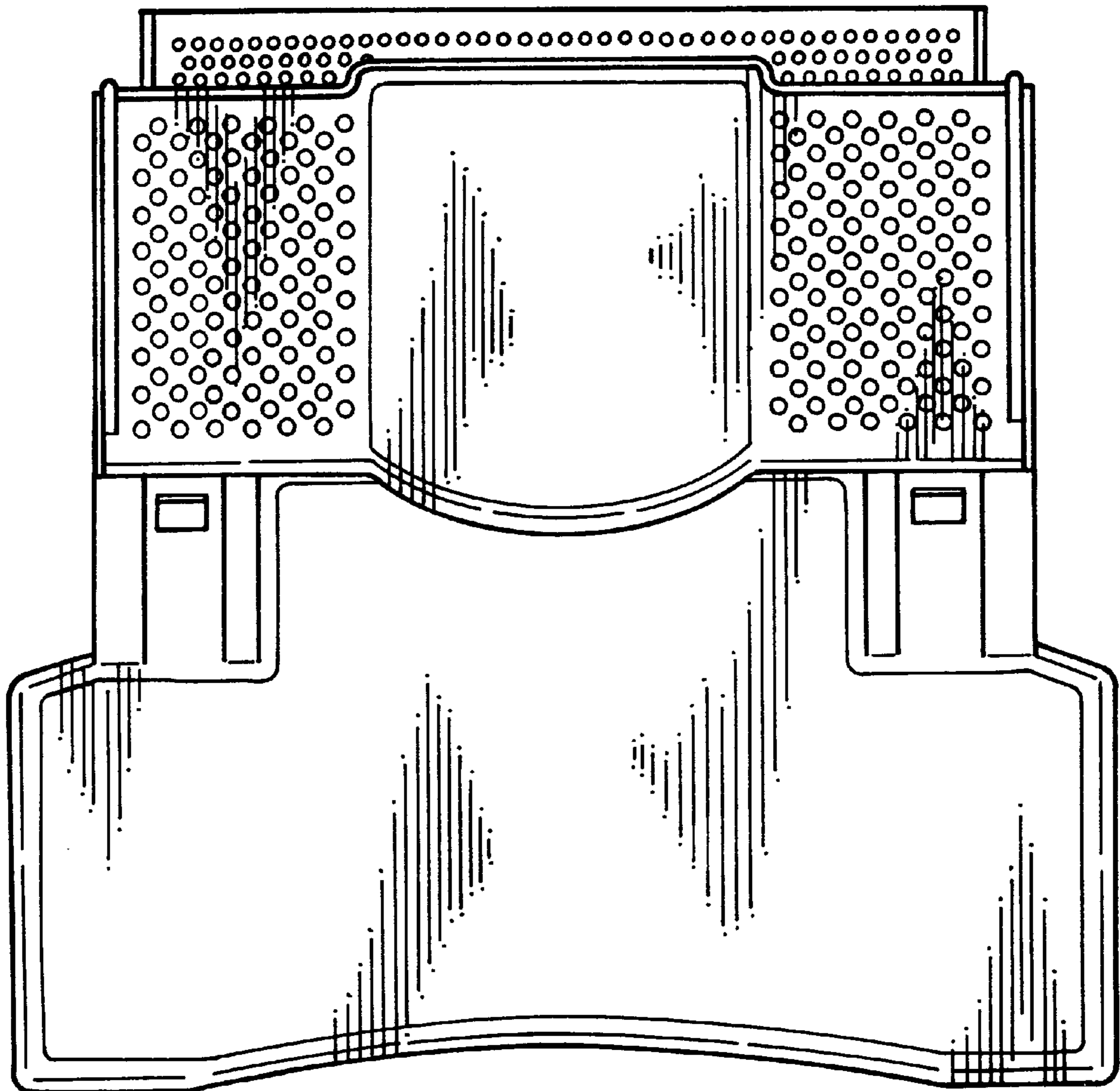


FIG 5

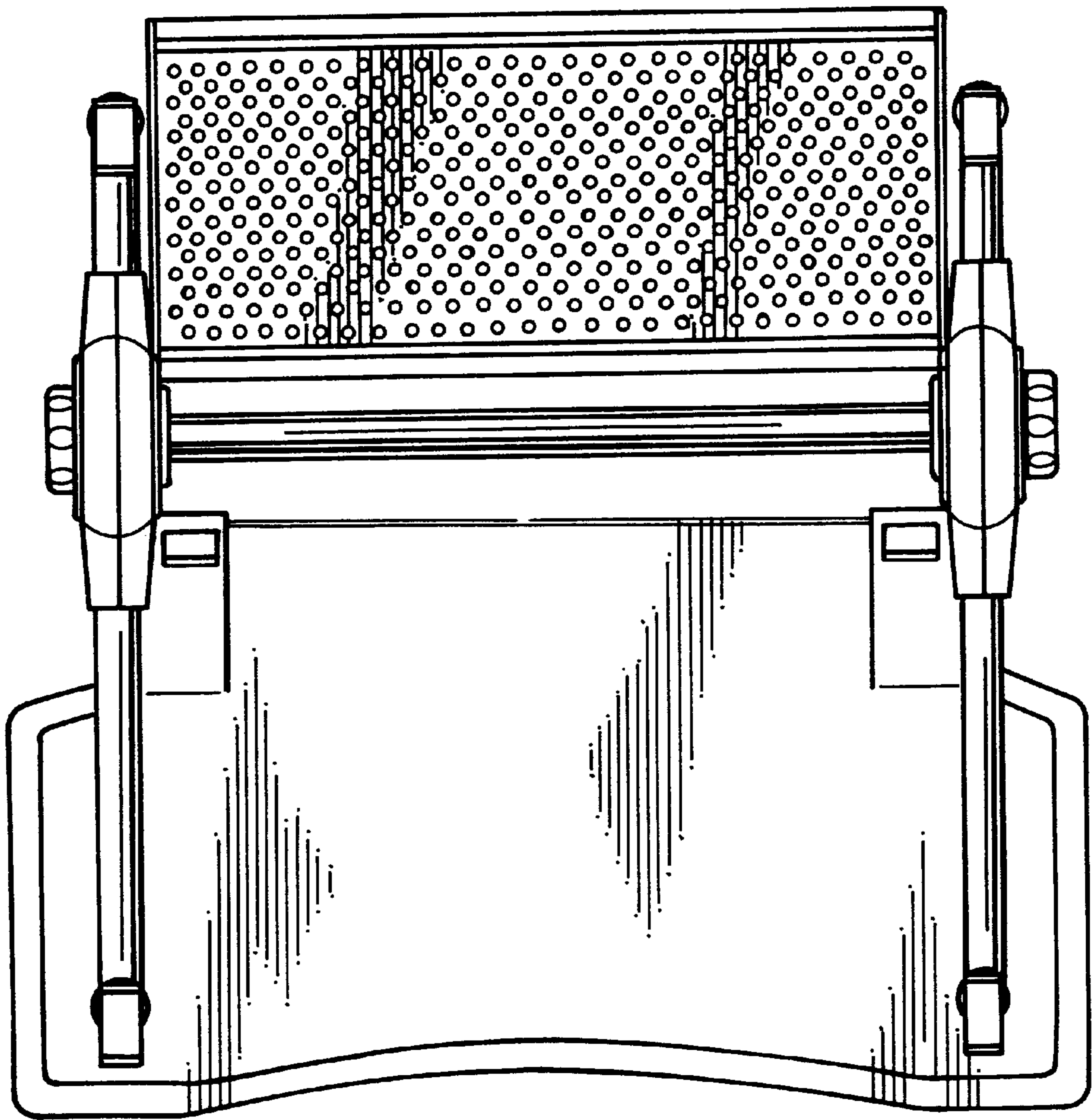


FIG 6

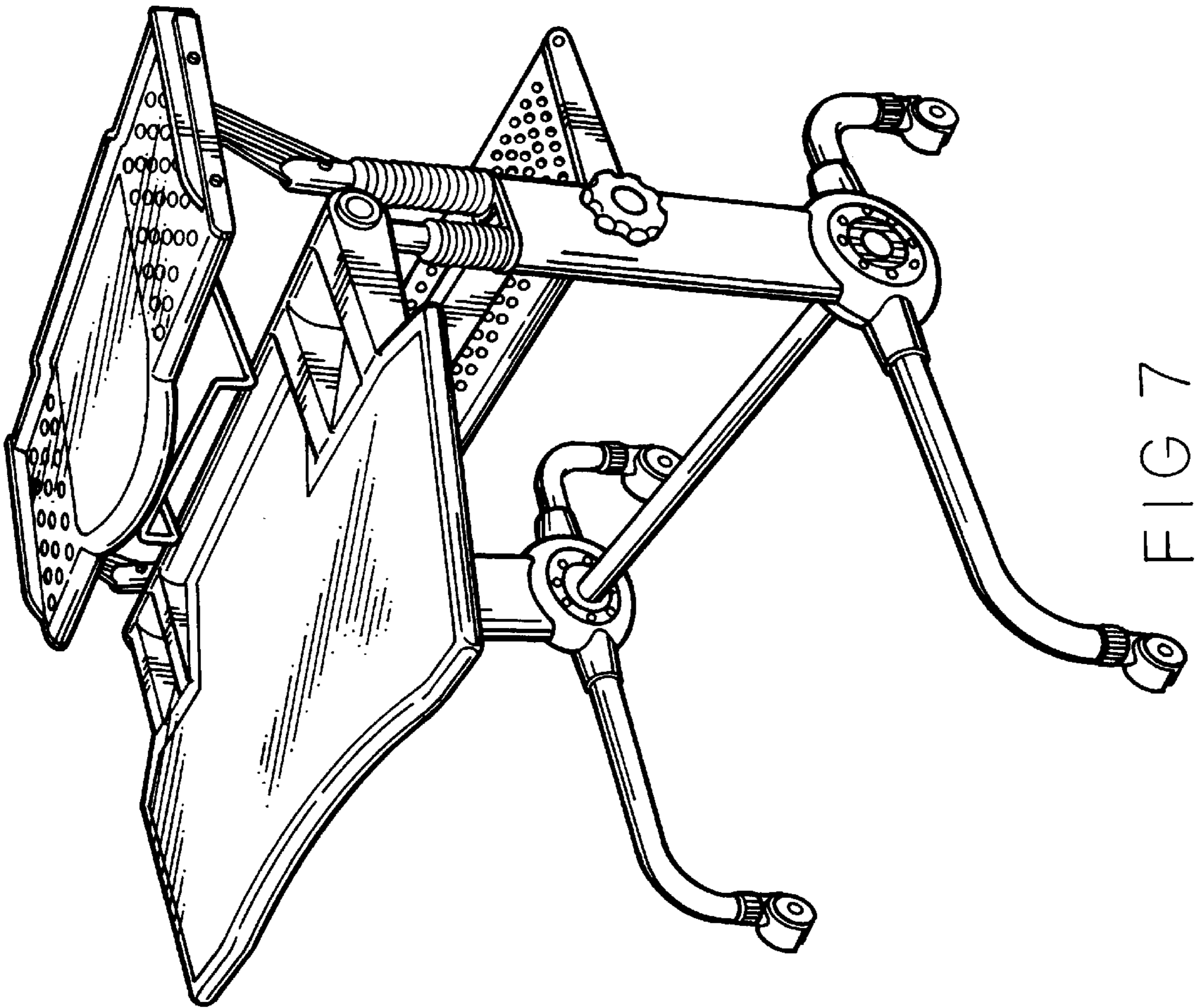


FIG 7