



US00D424821S

**United States Patent** [19]  
**Humeston**

[11] **Patent Number: Des. 424,821**

[45] **Date of Patent: \*\* May 16, 2000**

[54] **TIPLESS FOOTSTOOL**

3,438,675 4/1969 Sequin et al. .... 297/423.43

[76] Inventor: **James H. Humeston**, 544 Sundance St., Thousand Oaks, Calif. 91360

*Primary Examiner*—Janice E. Seeger  
*Attorney, Agent, or Firm*—Richard Slehofer

[\*\*] Term: **14 Years**

[57] **CLAIM**

[21] Appl. No.: **29/101,496**

The ornamental design for a tiptless footstool, as shown and described.

[22] Filed: **Mar. 5, 1999**

**DESCRIPTION**

[51] **LOC (7) Cl.** ..... **06-01**

[52] **U.S. Cl.** ..... **D6/349**

[58] **Field of Search** ..... D6/349–353, 355;  
297/461, 462, 423.1, 423.39, 423.41, 423.43

FIG. 1 is an isometric view of a tiptless footstool showing my new design;

FIG. 2 is a front elevational view thereof, the rear view being identical thereto;

FIG. 3 is a right side elevational view thereof, the left side view being identical thereto;

FIG. 4 is a top plan view thereof; and,

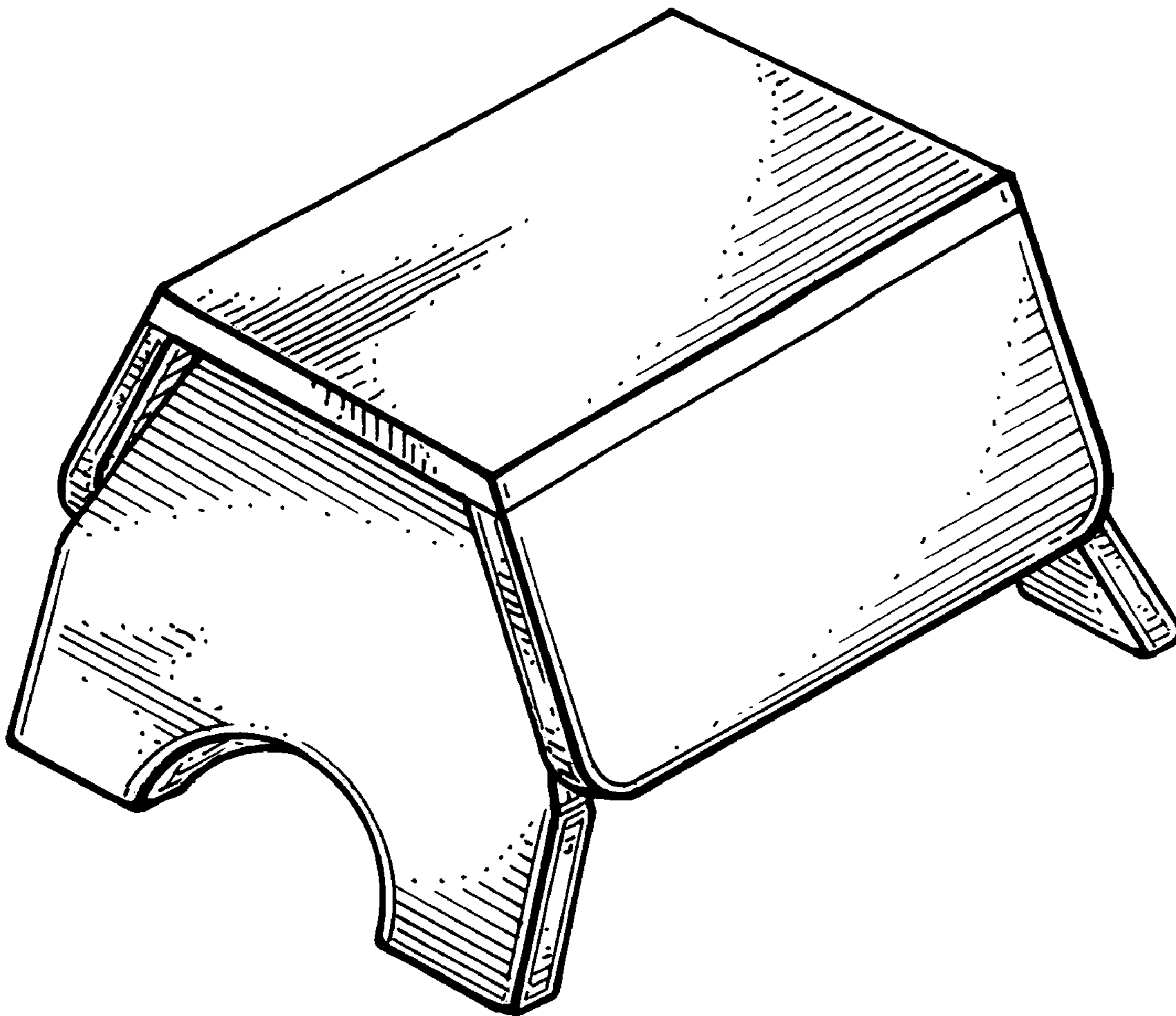
FIG. 5 is a bottom plan view thereof.

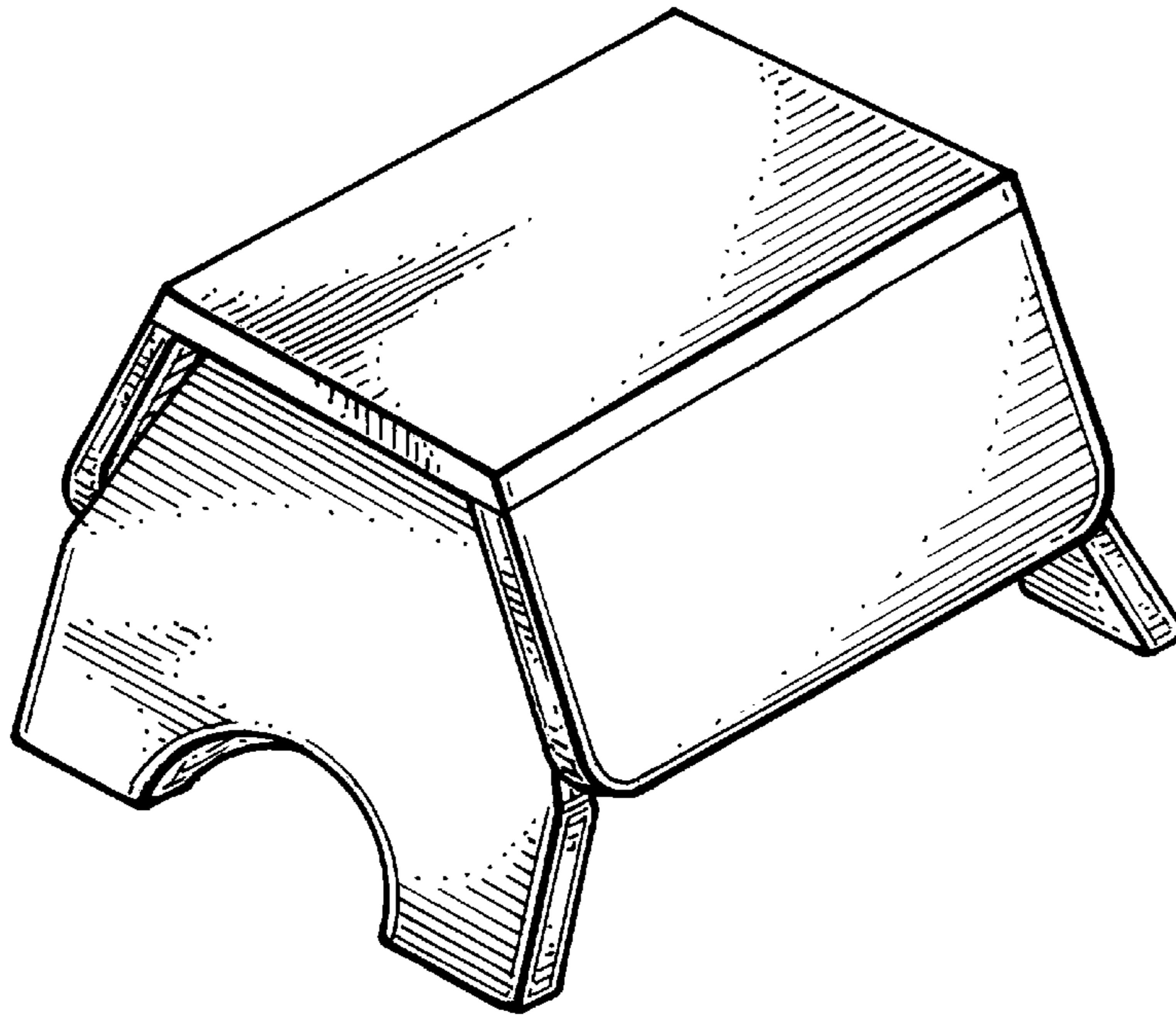
[56] **References Cited**

**U.S. PATENT DOCUMENTS**

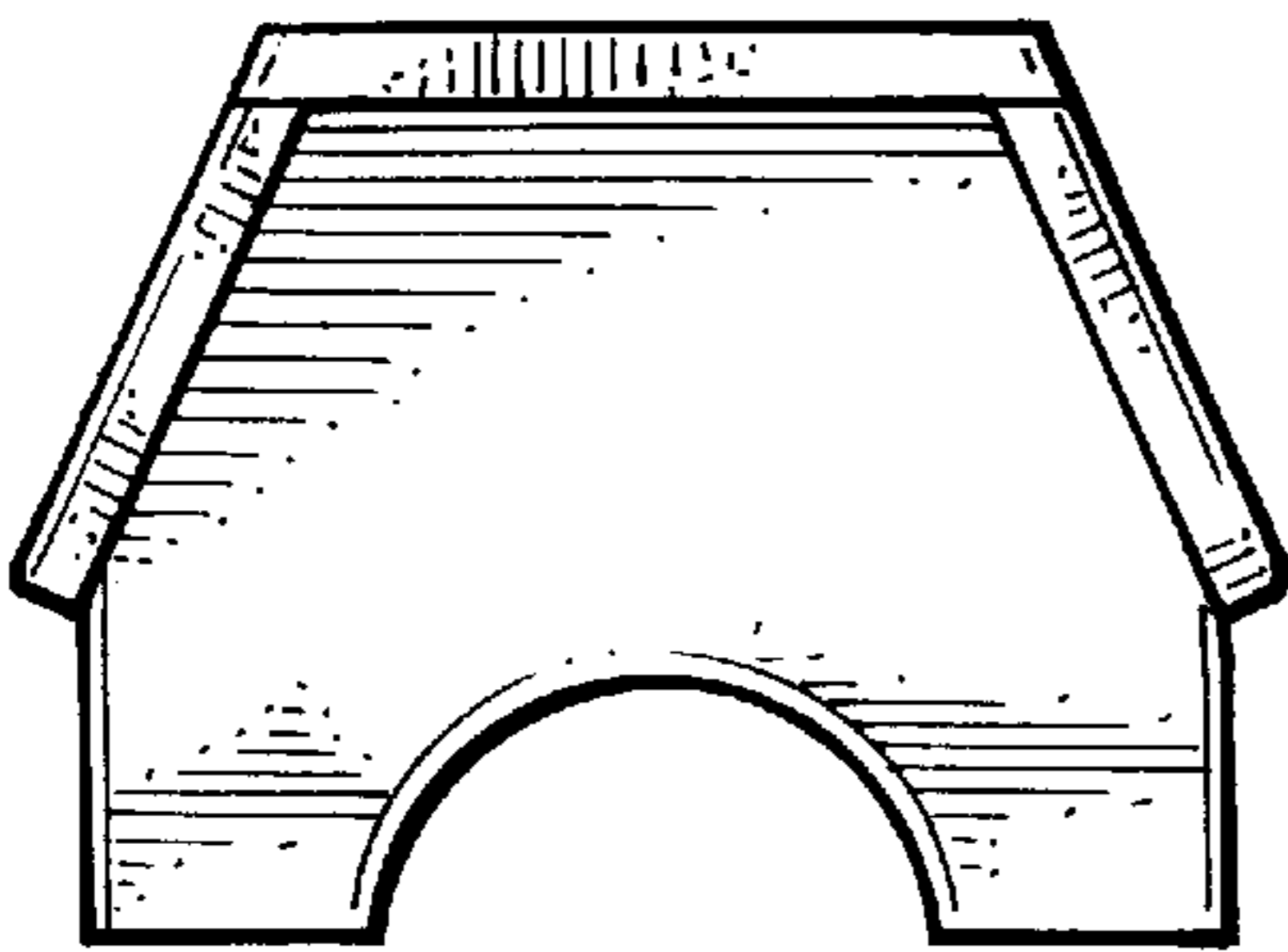
D. 54,117	11/1919	Palmquist	.....	D6/349
1,811,674	6/1931	Longley	.....	297/461
2,053,471	9/1936	Frost	.....	297/461

**1 Claim, 1 Drawing Sheet**

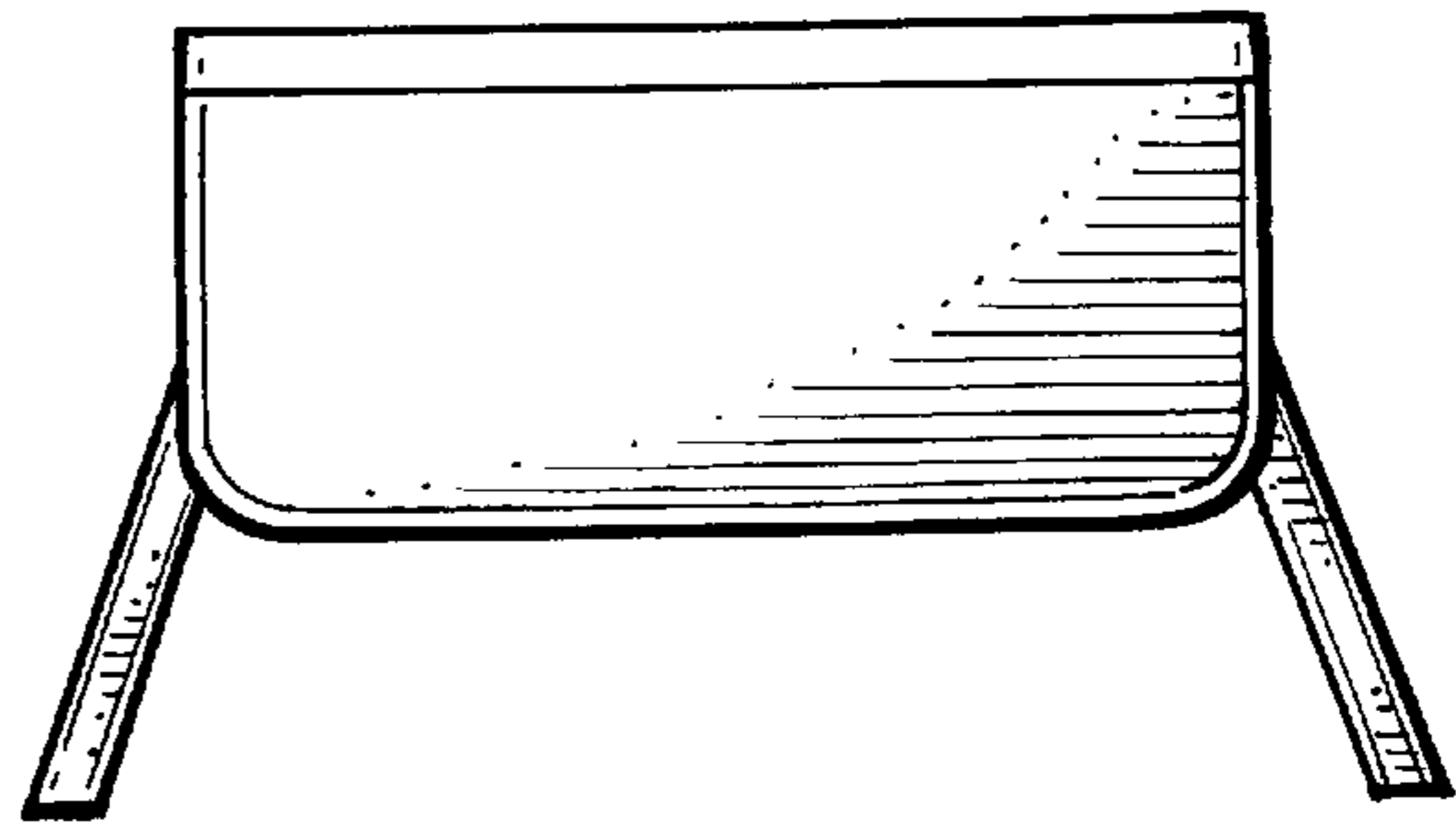




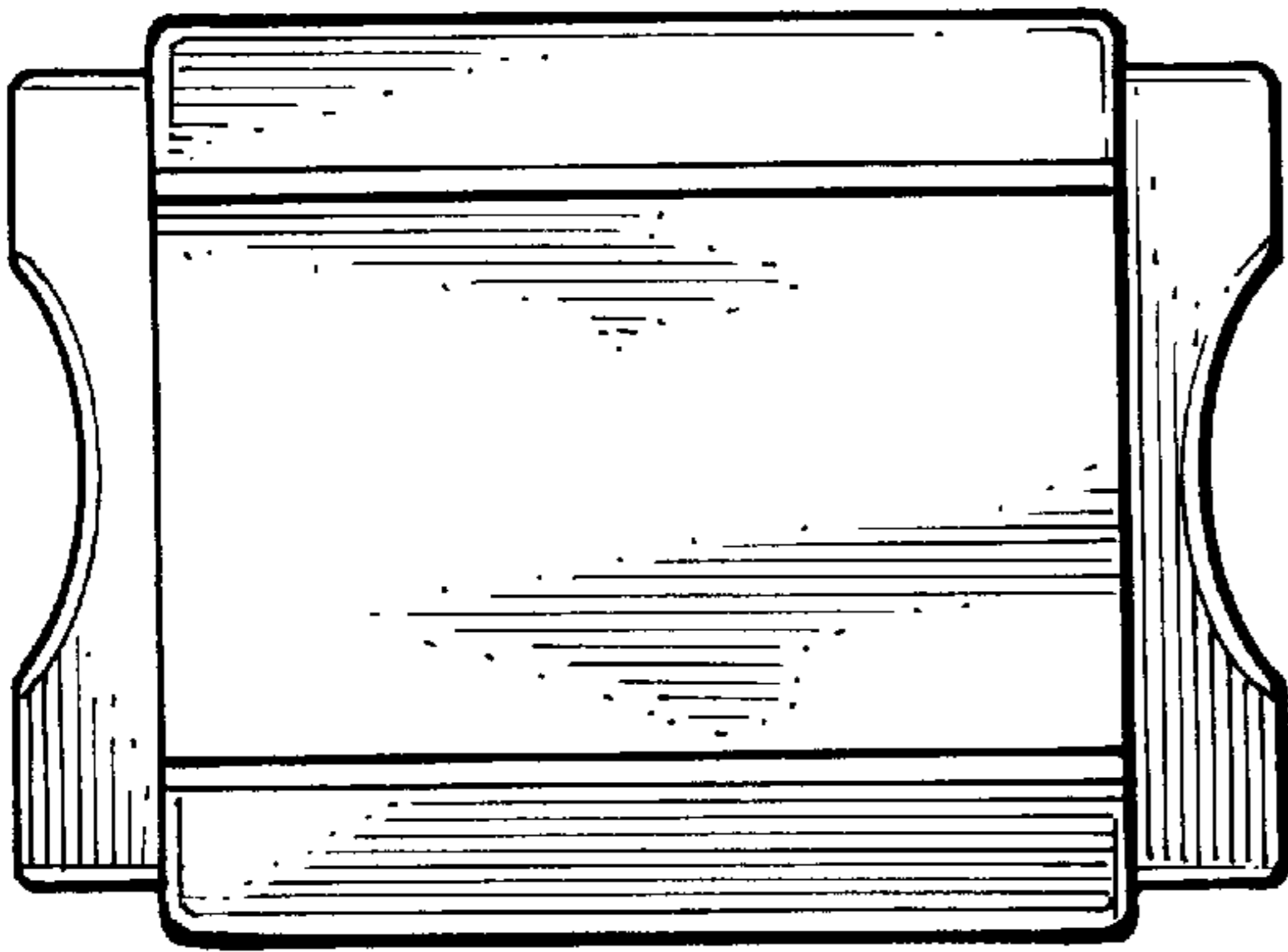
*Fig. 1.*



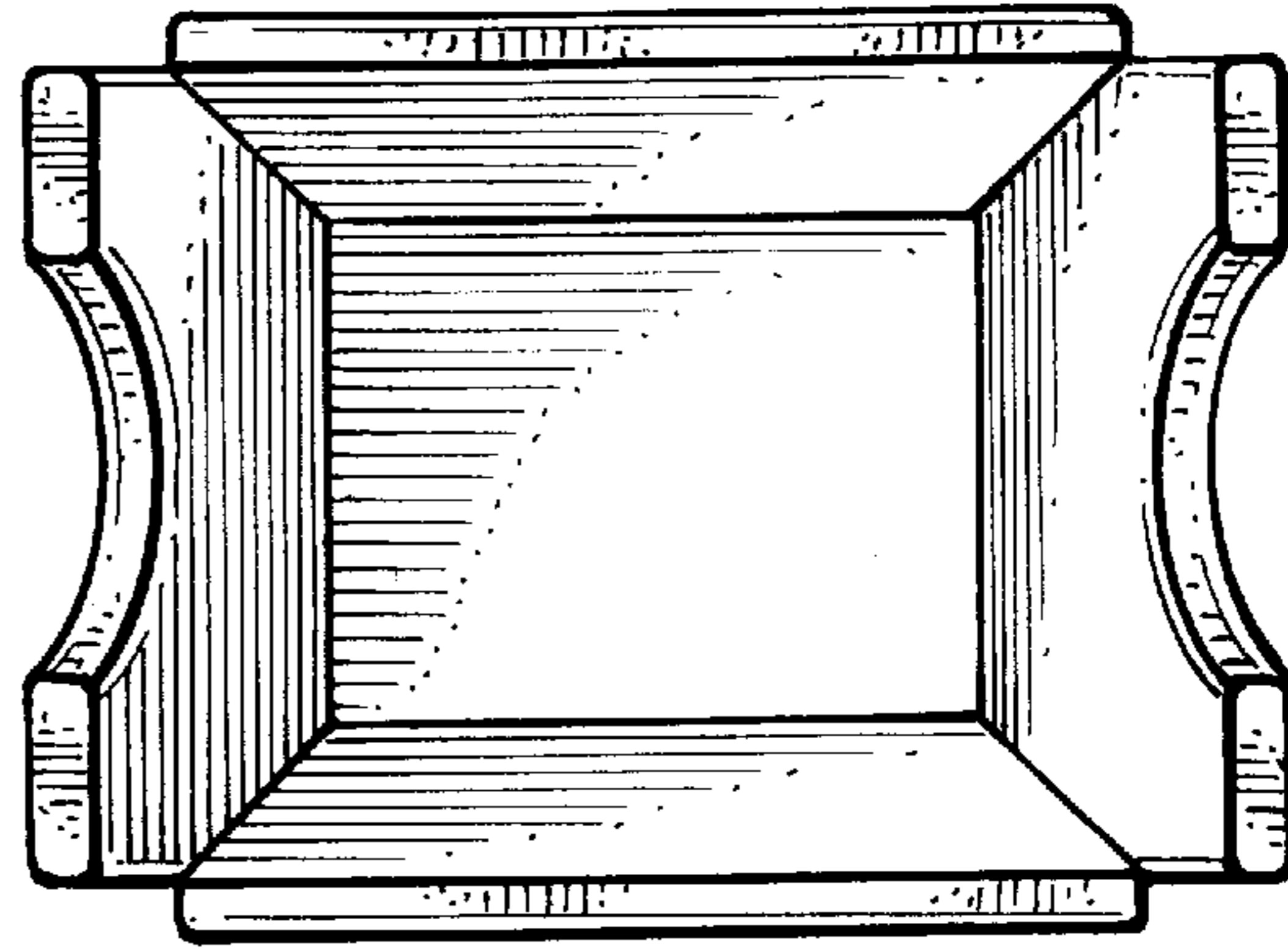
*Fig. 2.*



*Fig. 3.*



*Fig. 4.*



*Fig. 5.*