



US00D424819S

United States Patent [19]

Galati, Jr. et al.

[11] Patent Number: Des. 424,819

[45] Date of Patent: ** May 16, 2000

[54] SALON CHAIR

[75] Inventors: **Joseph J. Galati, Jr.**, Brookfield; **John Meyerovich**, Fox Point; **Lev Yakubovich**, Milwaukee; **Glenn Walters**, Port Washington; **Dean Holzberger**, Belgium, all of Wis.

[73] Assignee: **European Touch Ltd., II**, Butler, Wis.

[**] Term: **14 Years**

[21] Appl. No.: **29/076,574**

[22] Filed: **Sep. 10, 1997**

[51] LOC (7) Cl. **06-01**

[52] U.S. Cl. **D6/336**

[58] Field of Search D6/333-336, 360-361, D6/367, 500-502; D7/605; 297/182, 188.01, 188.09, 310, 243.21

[56] References Cited

U.S. PATENT DOCUMENTS

D. 160,368	9/1950	Centerbar	D6/361
D. 288,037	2/1987	Orenstein	D6/335
D. 342,165	12/1993	Marshall et al.	D6/335
D. 372,843	8/1996	Trent et al.	D6/336
5,489,140	2/1996	Van Horn-Plato	297/310

Primary Examiner—Doris V. Coles
Assistant Examiner—Mimosa De
Attorney, Agent, or Firm—Greenberg Traurig

[57] CLAIM

The ornamental design for a salon chair, as shown and described.

DESCRIPTION

FIG. 1 is a front-left isometric view of a salon chair showing our new design;

FIG. 2 is a front elevational view of the salon chair shown in FIG. 1;

FIG. 3 is a back elevational view of the salon chair shown in FIG. 1;

FIG. 4 is a side elevational view of the salon chair shown in FIG. 1, the opposite side elevational view being a mirror image;

FIG. 5 is a top plan view of the salon chair shown in FIG. 1; and,

FIG. 6 is a bottom plan view of the salon chair shown in FIG. 1.

The broken lines showing a portion of a chair are for the purpose of illustrating unclaimed environmental structure only.

1 Claim, 5 Drawing Sheets

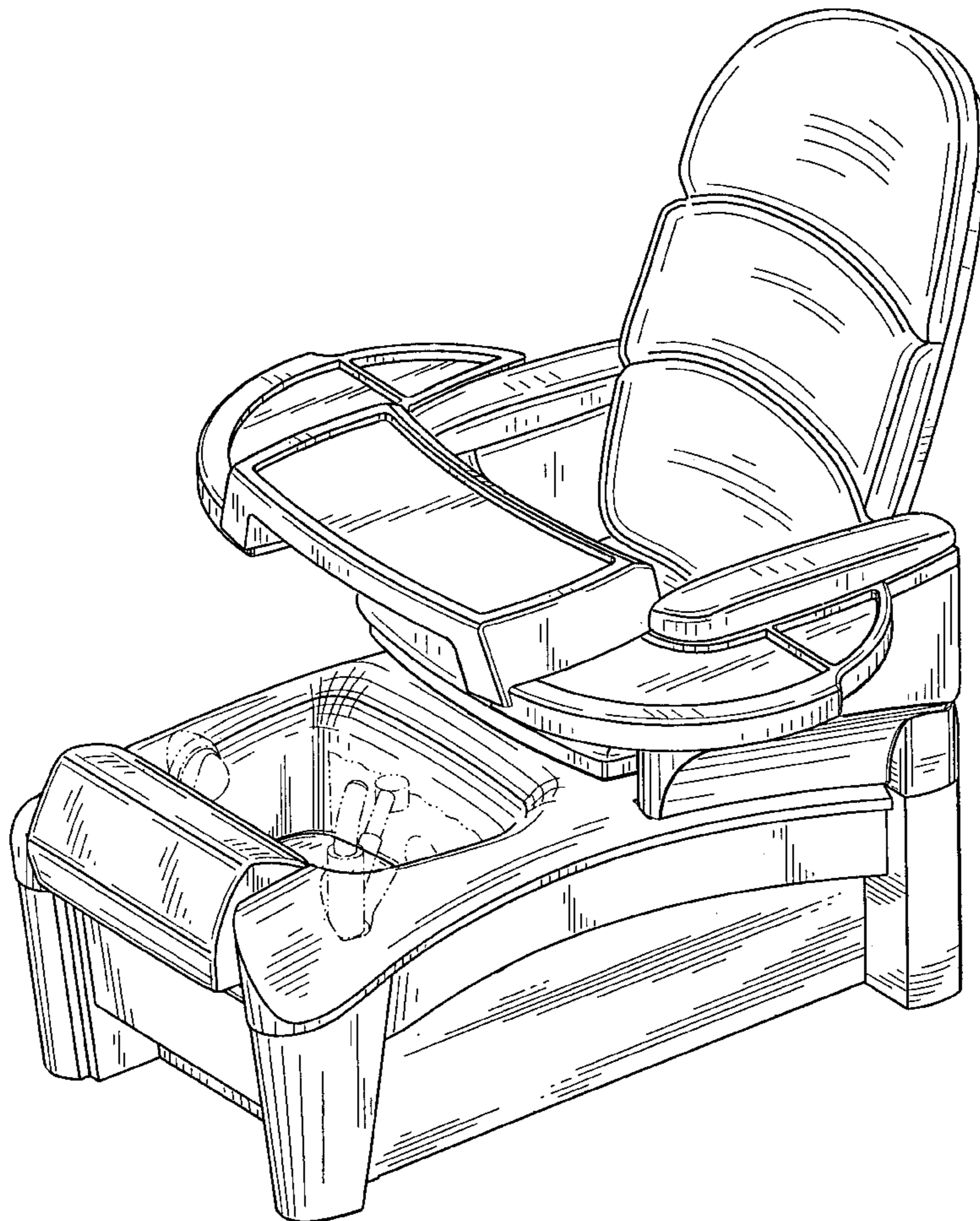


FIG. 1

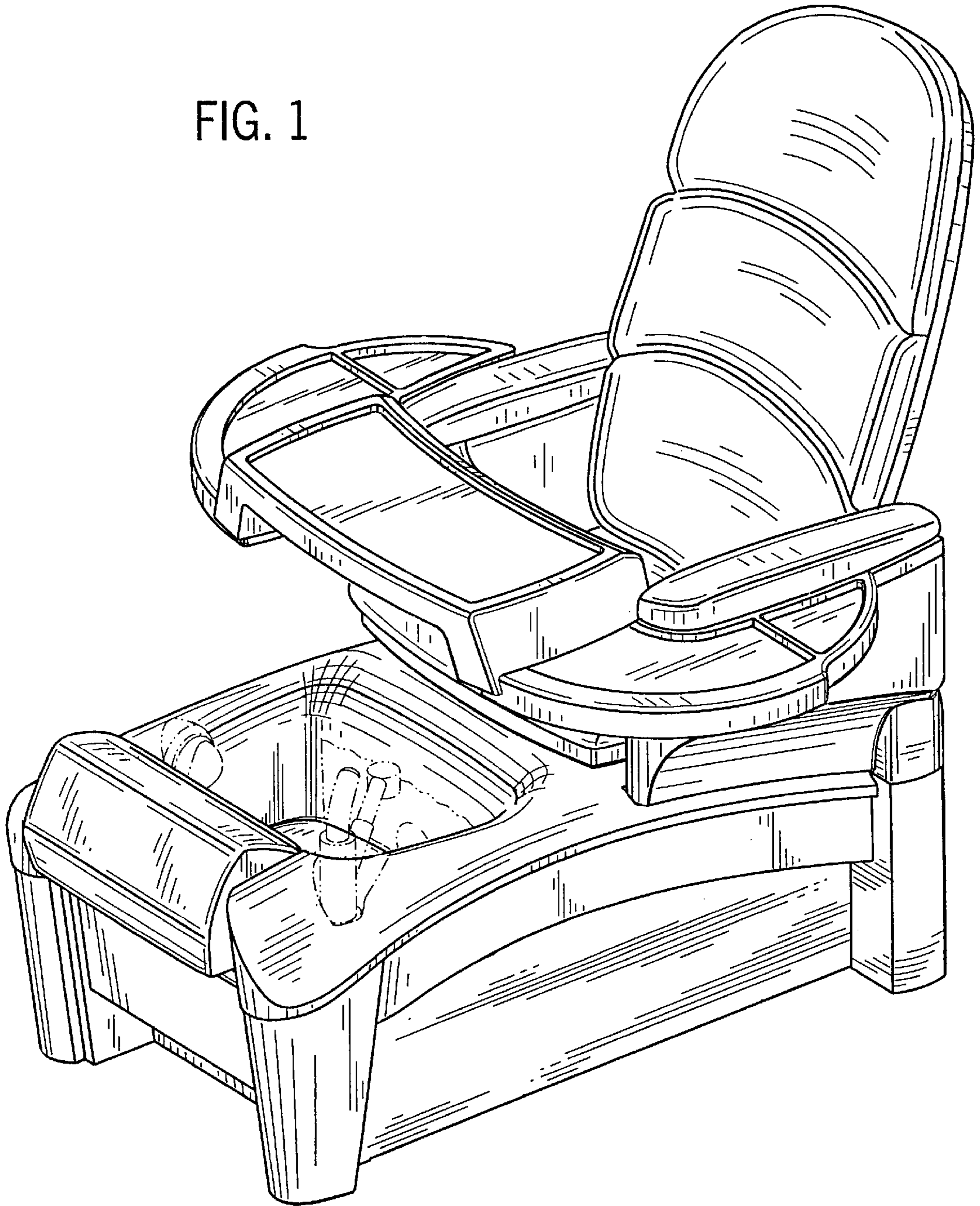


FIG. 2

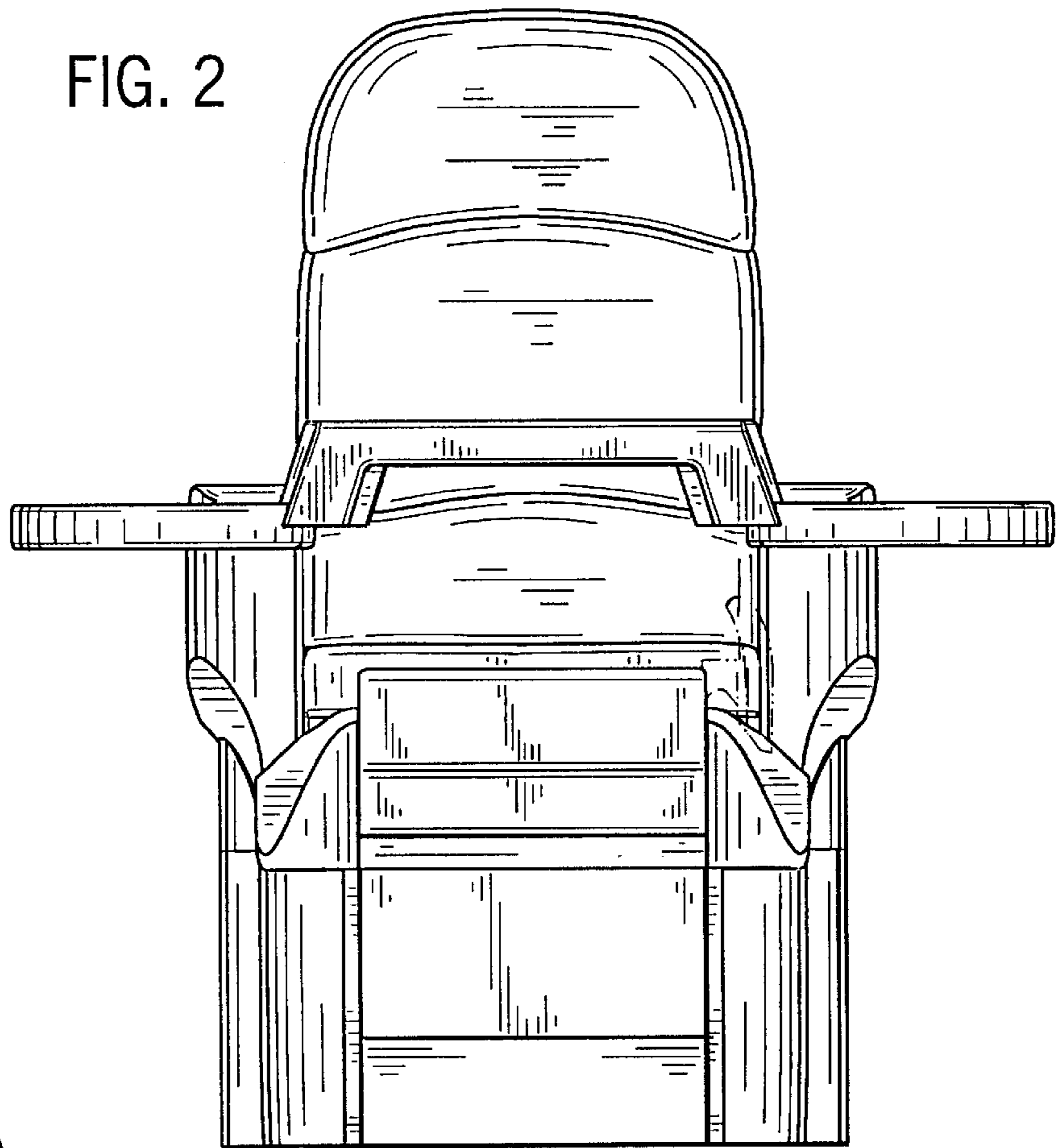


FIG. 4

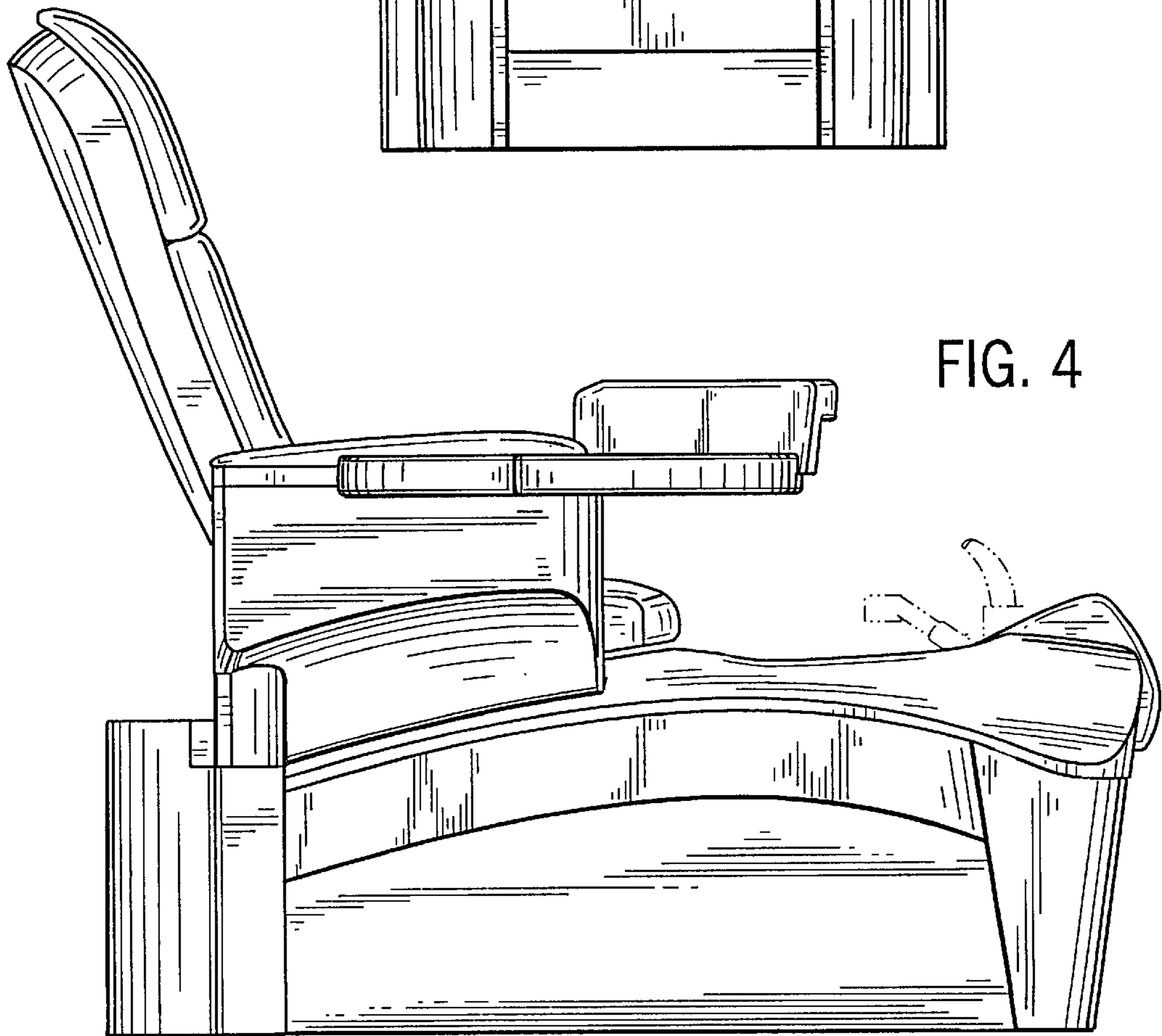


FIG. 3

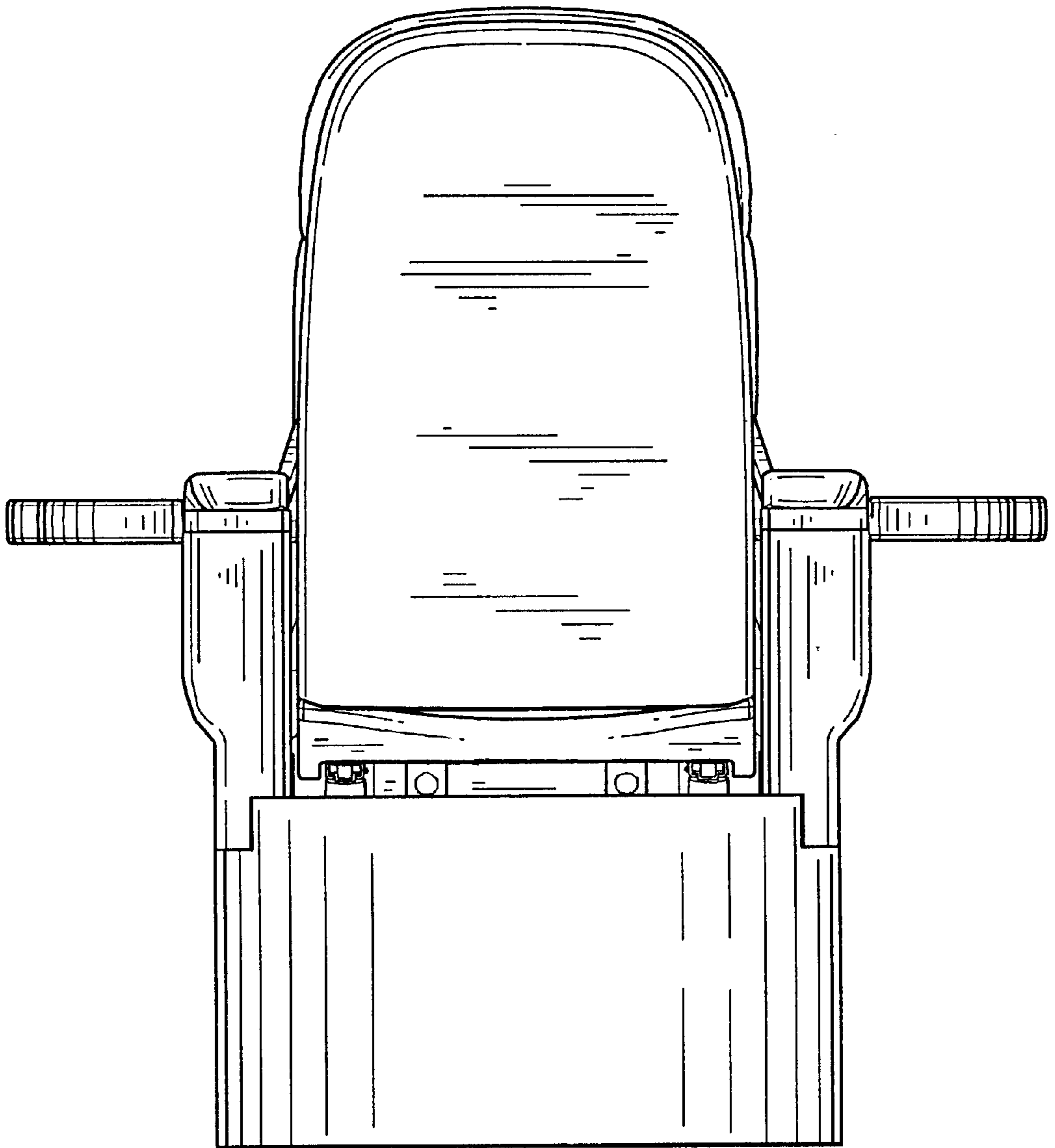


FIG. 5

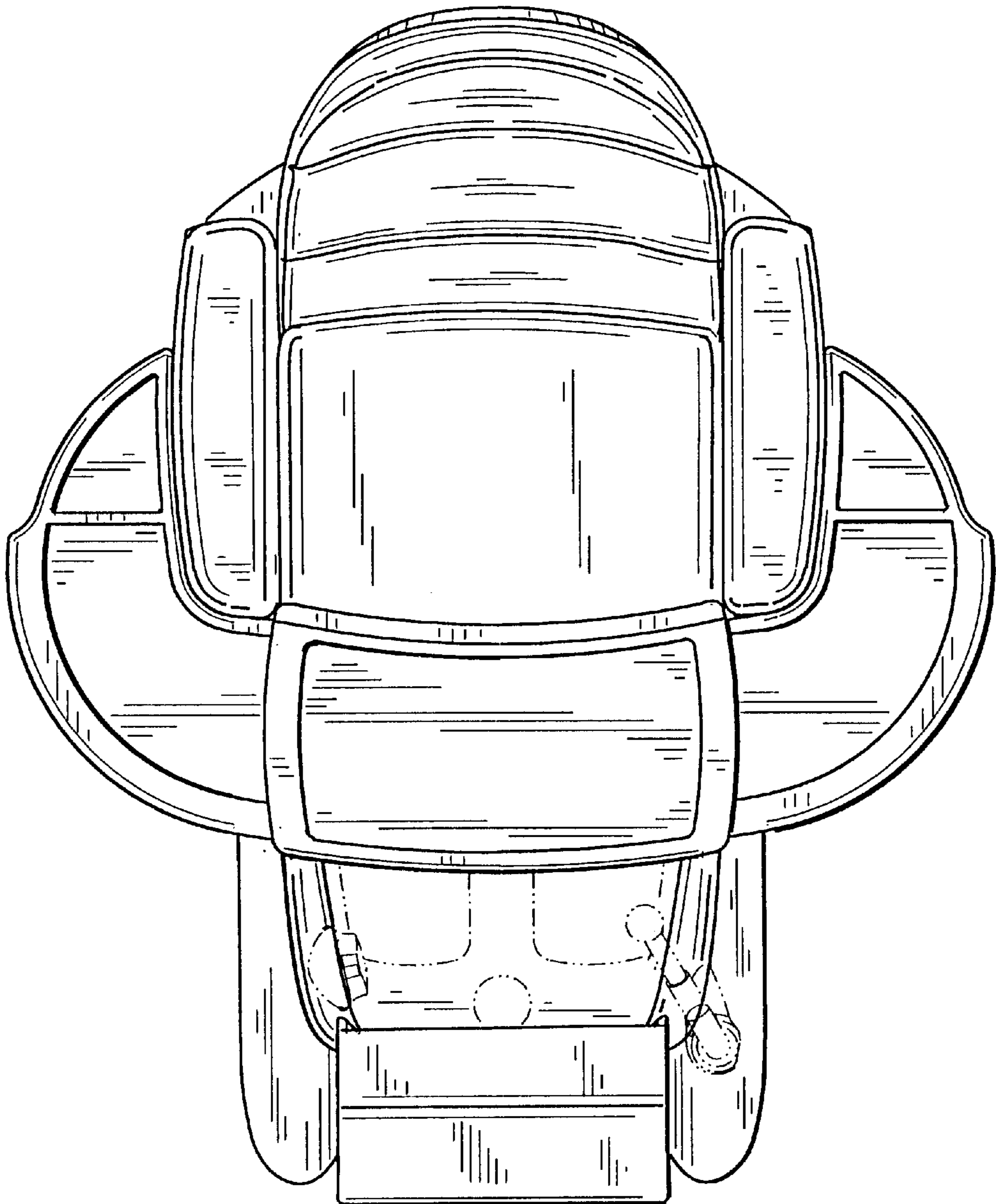


FIG. 6

