



US00D424817S

United States Patent [19]

Morgan et al.

[11] Patent Number: Des. 424,817

[45] Date of Patent: ** May 16, 2000

[54] HANGER WITH OVAL PLAQUE
[75] Inventors: Donald F. Morgan; Russell O. Blanchard, both of Zeeland, Mich.

2,473,408 6/1949 Alkin .
4,703,878 11/1987 Louw 223/95
4,826,056 5/1989 Duester et al. 223/96
5,934,525 8/1999 Blanchard 223/96

[73] Assignee: Batts, Inc., Zeeland, Mich.

Primary Examiner—B. J. Bullock
Attorney, Agent, or Firm—Baker & McKenzie

[**] Term: 14 Years

[57] CLAIM

[21] Appl. No.: 29/106,820

The ornamental design for a hanger with oval plaque, as shown and described.

[22] Filed: Jun. 21, 1999

DESCRIPTION

[51] LOC (7) Cl. 06-08

[52] U.S. Cl. D6/328; D6/315; D6/326

[58] Field of Search D6/315, 318, 326,
D6/328; 211/113, 119; 223/85, 88, 89, 91-3,
95-6; 24/499, 507, 511

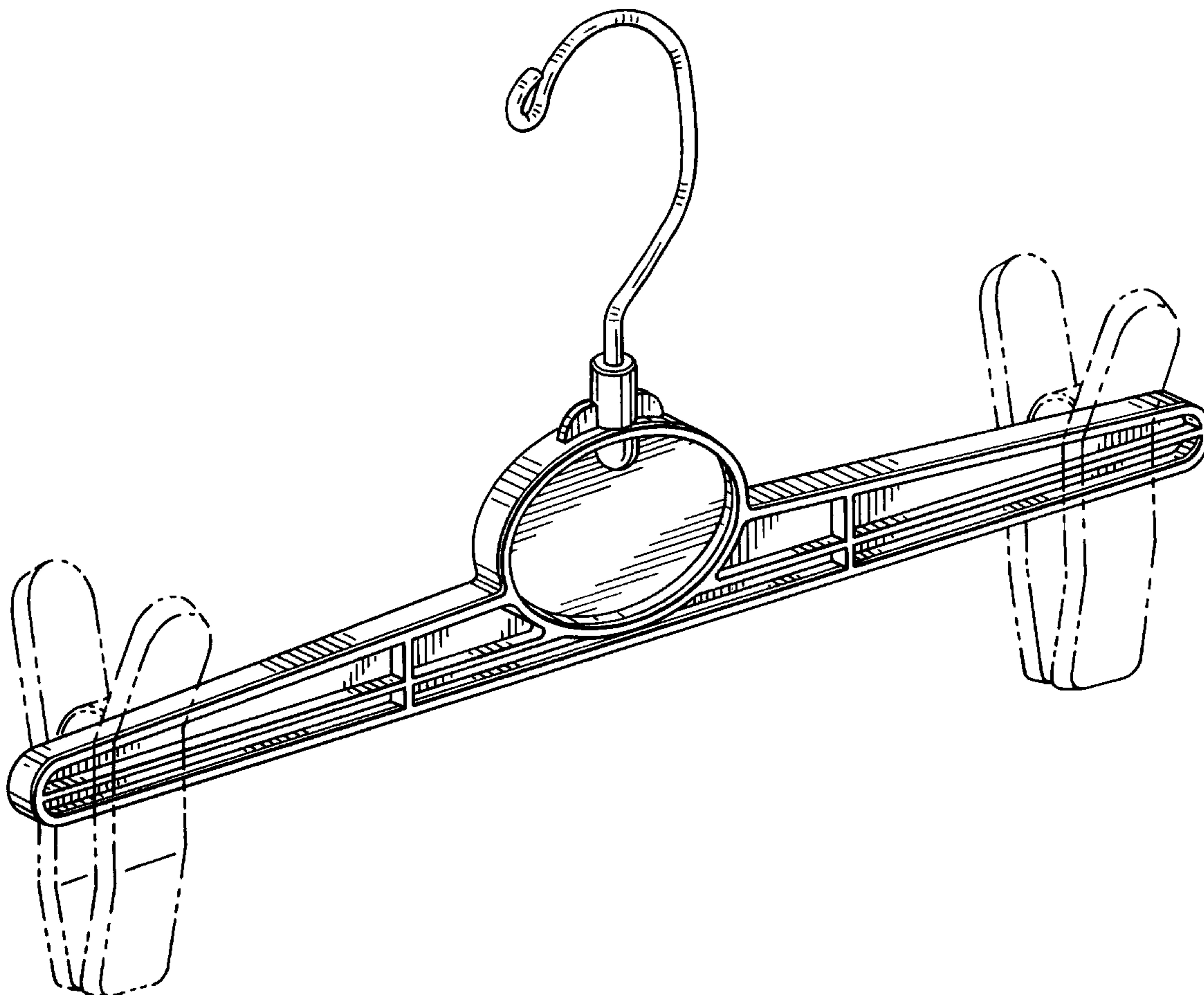
FIG. 1 is a perspective view of a hanger with oval plaque embodying the invention, the broken lines are for illustrative purposes only and form no part of the claimed design; FIG. 2 is an enlarged front elevational view thereof; FIG. 3 is a rear elevational view thereof; FIG. 4 is a side elevational view thereof; FIG. 5 is an opposite side elevational view thereof; and FIG. 6 is a top view thereof; and FIG. 7 is a bottom view thereof.

[56] References Cited

U.S. PATENT DOCUMENTS

D. 301,808 6/1989 Marshall D6/326
D. 322,176 12/1991 Owen D6/326
D. 322,518 12/1991 Owen D6/318

1 Claim, 5 Drawing Sheets



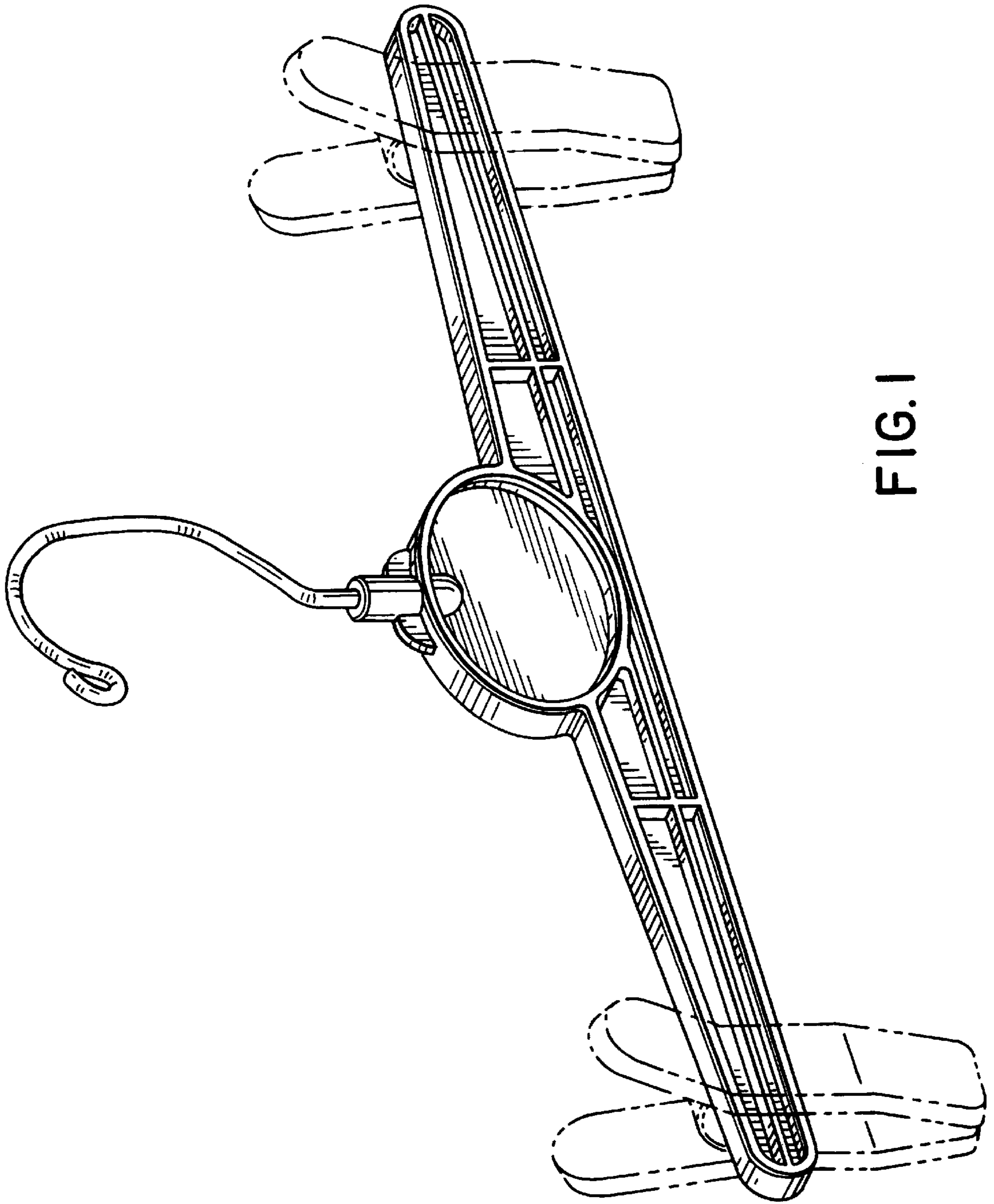


FIG. 1

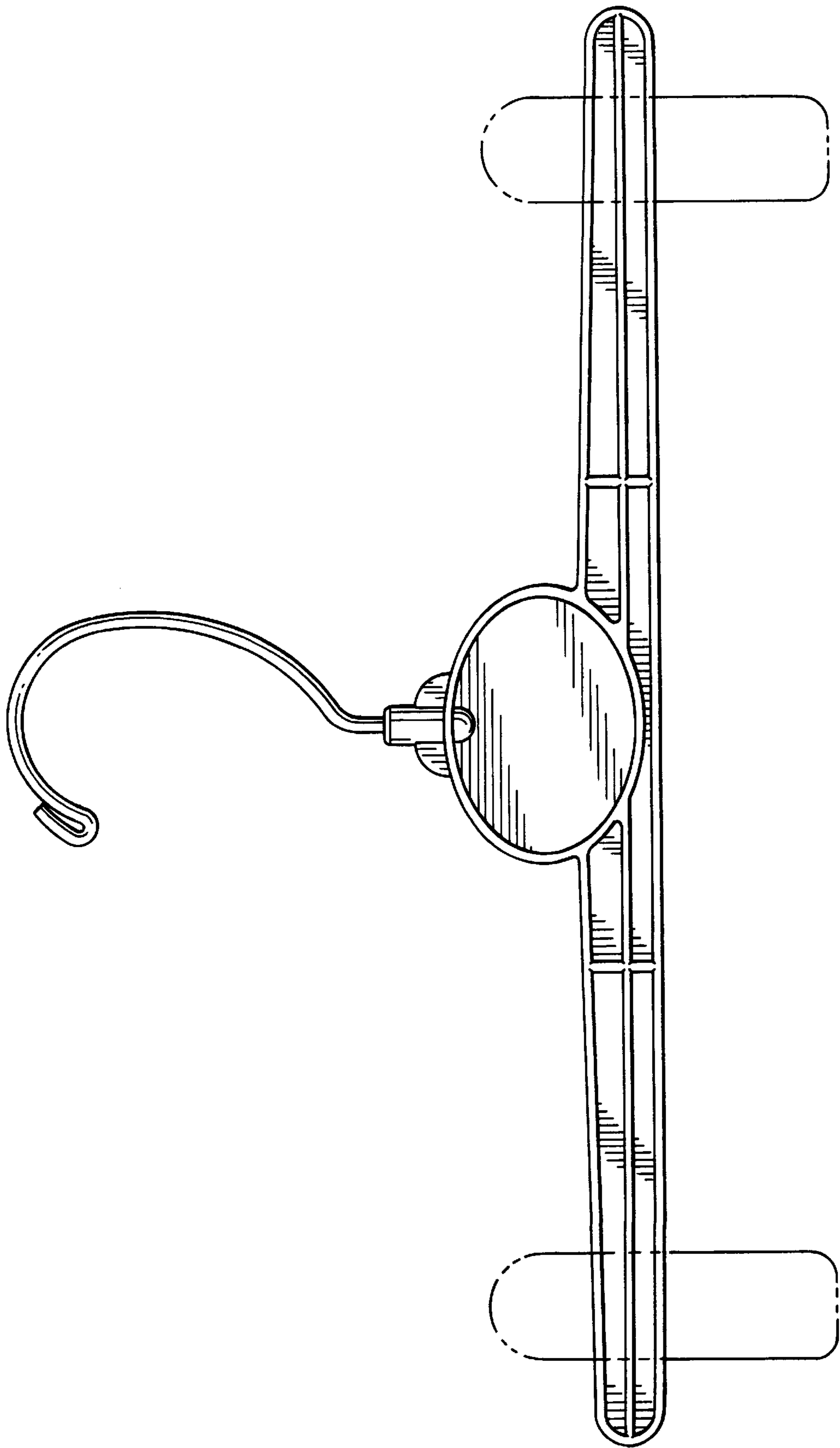


FIG. 2

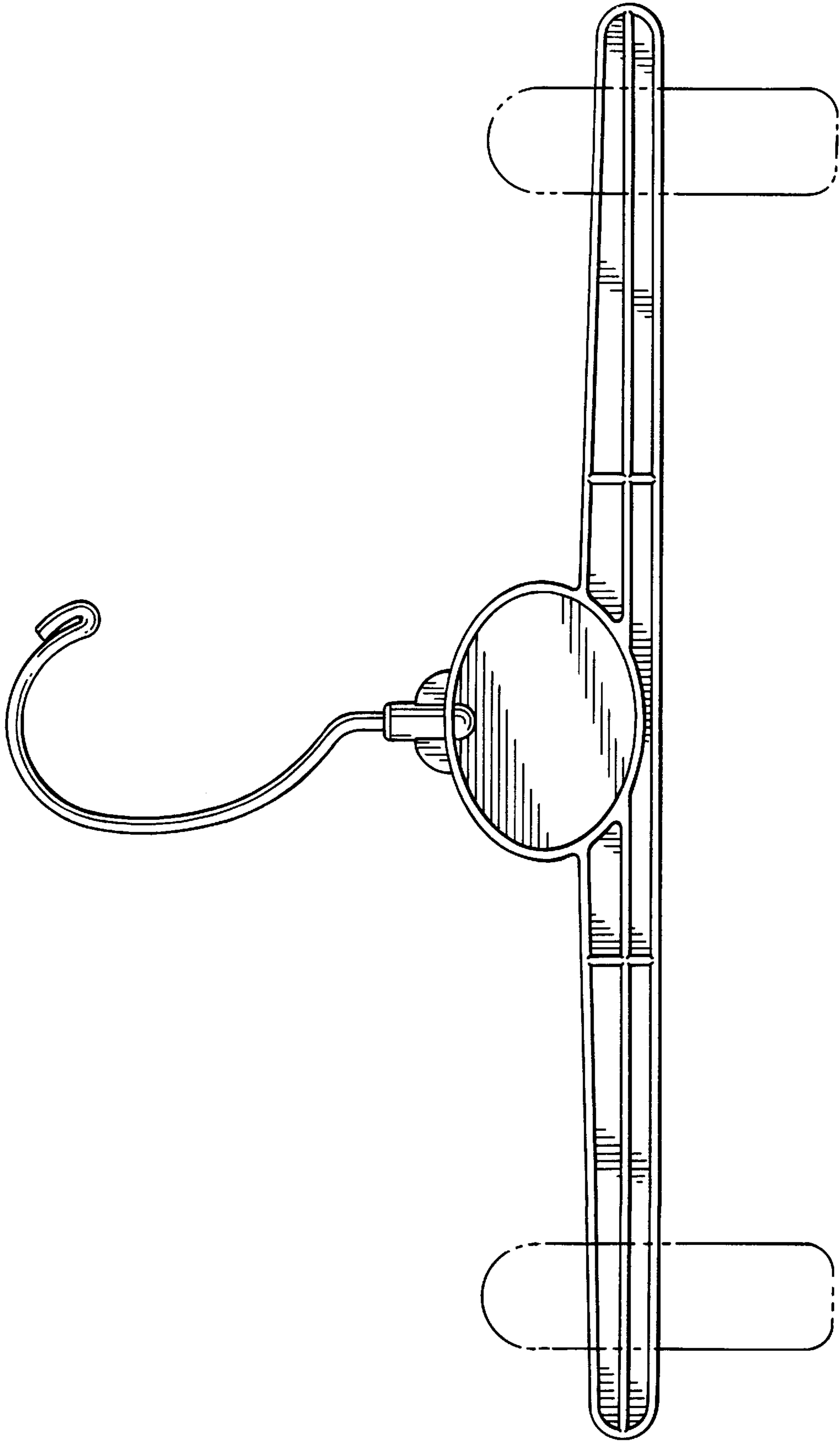


FIG. 3

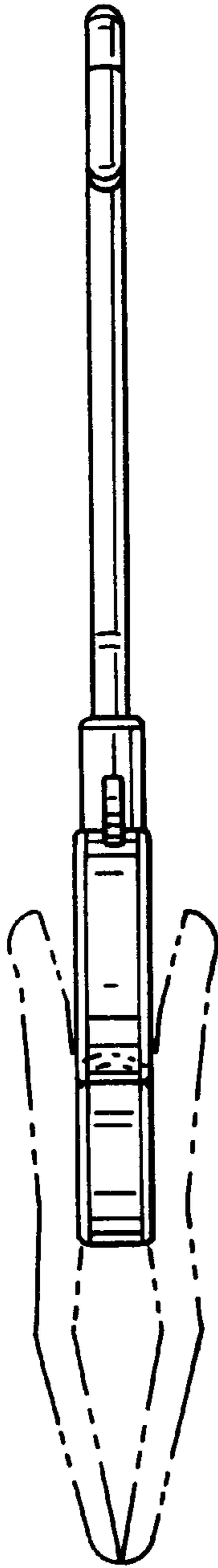


FIG. 4

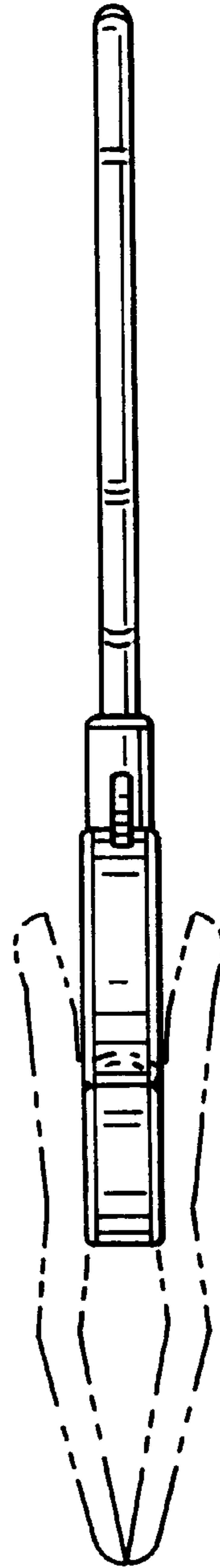


FIG. 5

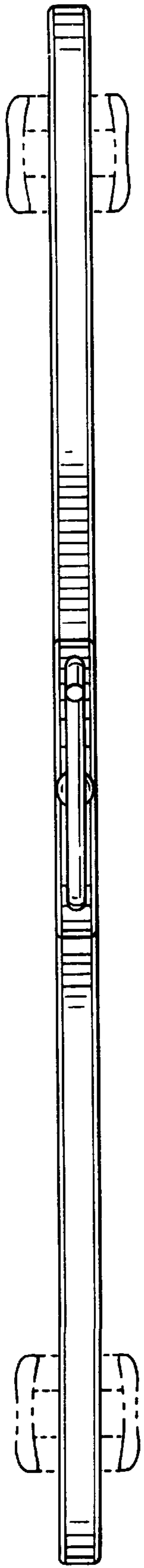


FIG. 6

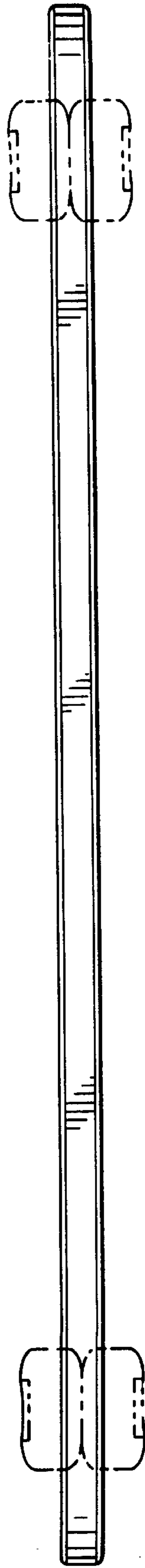


FIG. 7