



US00D424813S

United States Patent [19]
DeMary

[11] **Patent Number: Des. 424,813**

[45] **Date of Patent: ** May 16, 2000**

[54] **HINGED PICTURE FRAME**

[76] Inventor: **Joseph DeMary**, 73 Weatherhill Rd.,
Hamburg, N.J. 07419

[**] Term: **14 Years**

[21] Appl. No.: **29/102,210**

[22] Filed: **Mar. 19, 1999**

[51] **LOC (7) Cl.** **06-07**

[52] **U.S. Cl.** **D6/301; D6/302**

[58] **Field of Search** D6/300-304, 308-314;
D20/10, 40; 40/700, 711, 718, 729-730,
735, 745, 765, 768-770, 779, 780, 790,
798

[56] **References Cited**

U.S. PATENT DOCUMENTS

D. 242,970	1/1977	Cohen	D6/301
D. 253,986	1/1980	Lyman	D6/302
D. 370,129	5/1996	Freudenfeld	D6/301
3,070,914	1/1963	Henderson et al.	40/790
3,529,374	9/1970	Spertus	40/718
4,115,938	9/1978	Belmuth et al.	40/730

Primary Examiner—Janice E. Seeger
Attorney, Agent, or Firm—Thomas L. Adams, Esq.

[57] **CLAIM**

The ornamental design for a hinged picture frame, as shown and described.

DESCRIPTION

FIG. 1 is an perspective view of hinged picture frame showing my new design;
FIG. 2 is a front elevational view thereof;
FIG. 3 is a rear elevational view thereof;
FIG. 4 is a right side elevational view thereof;
FIG. 5 is a left side elevational view thereof;
FIG. 6 is a top plan view thereof, the bottom plan view being a mirror image;
FIG. 7 is an perspective view of a second embodiment of hinged picture frame showing my new design, the left and right elevational view thereof being identical to that shown in FIGS. 4 and 5, respectively;
FIG. 8 is a front elevational view thereof; and,
FIG. 9 is rear elevational view thereof.

1 Claim, 3 Drawing Sheets

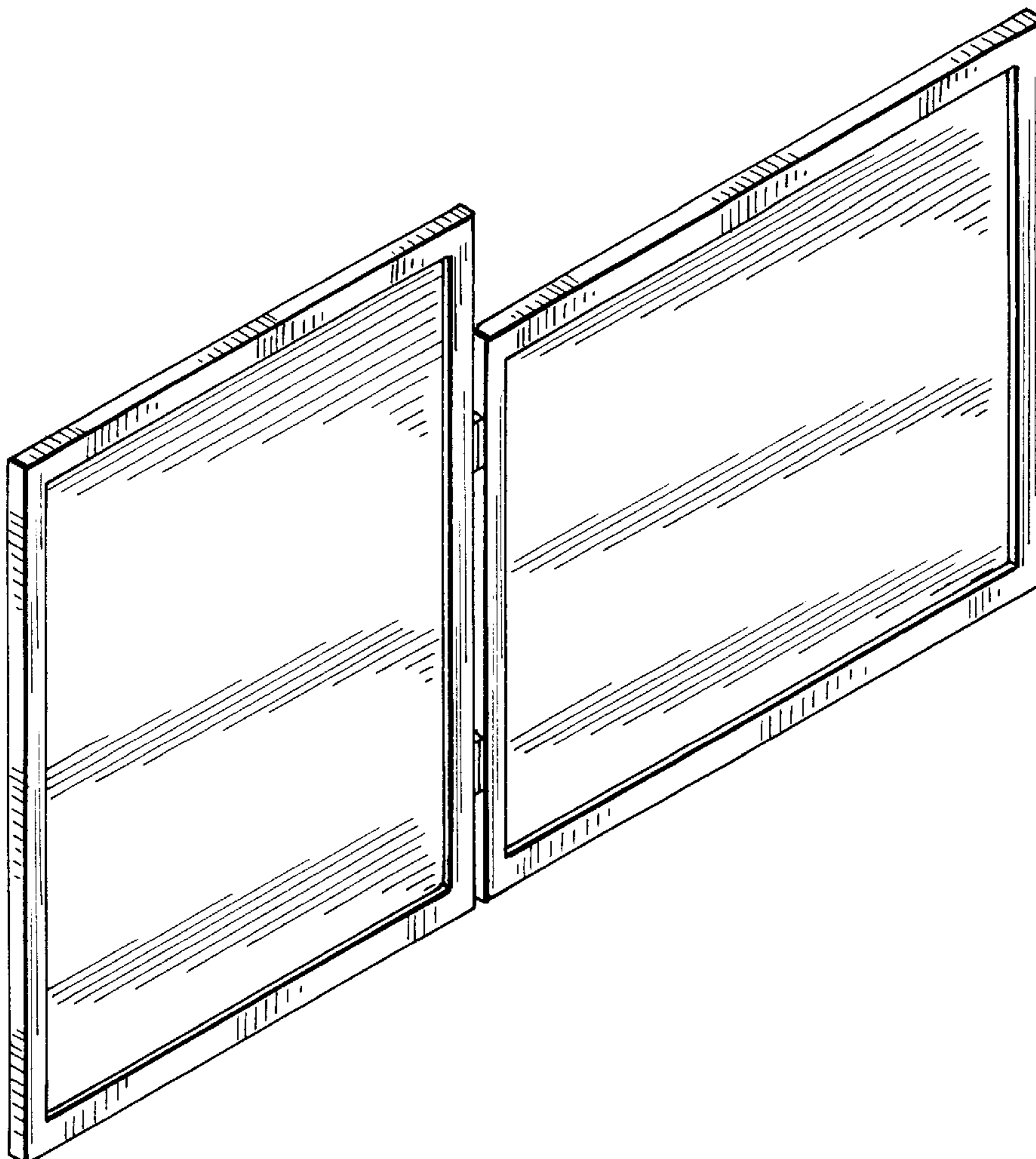


FIG. 1

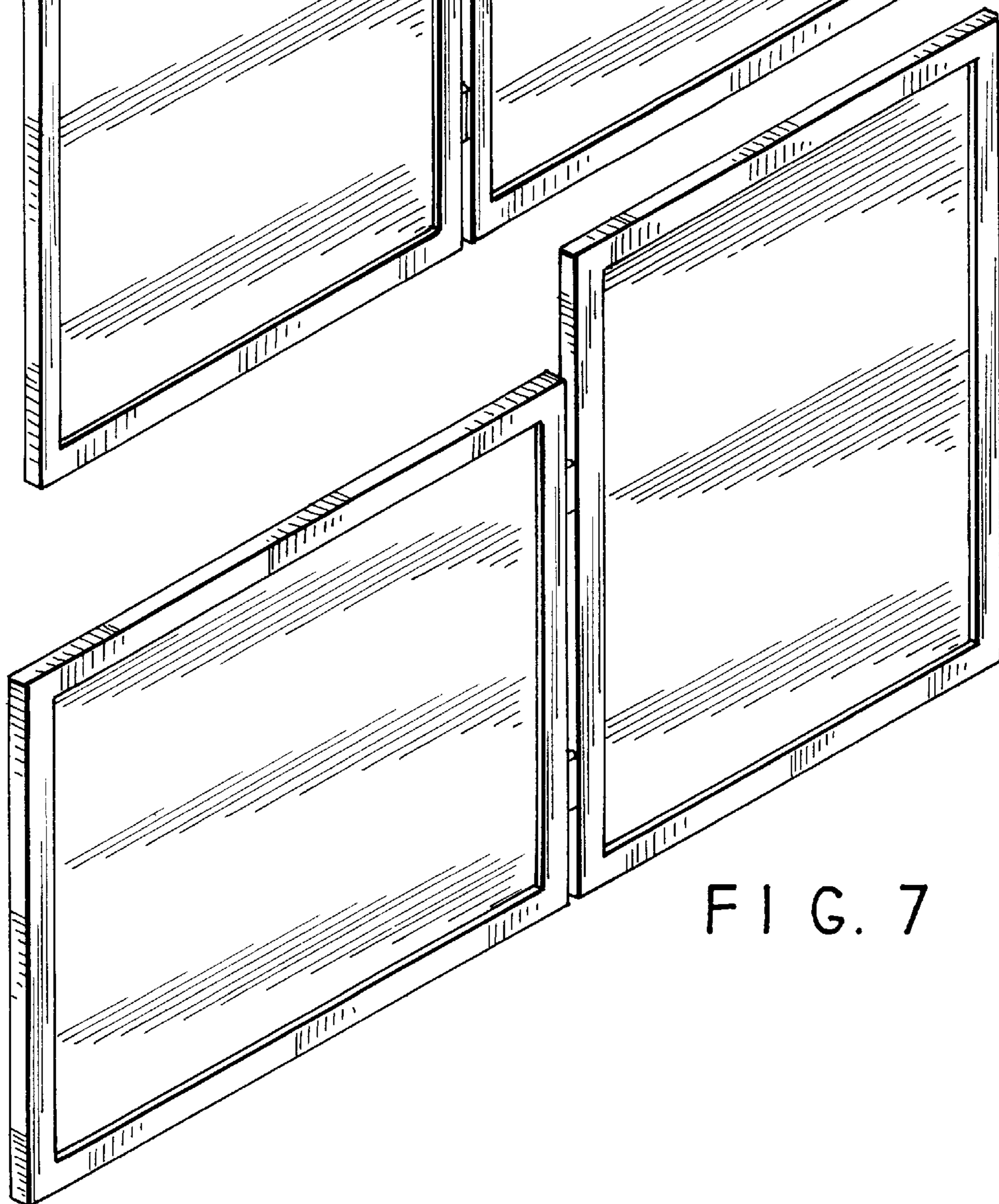
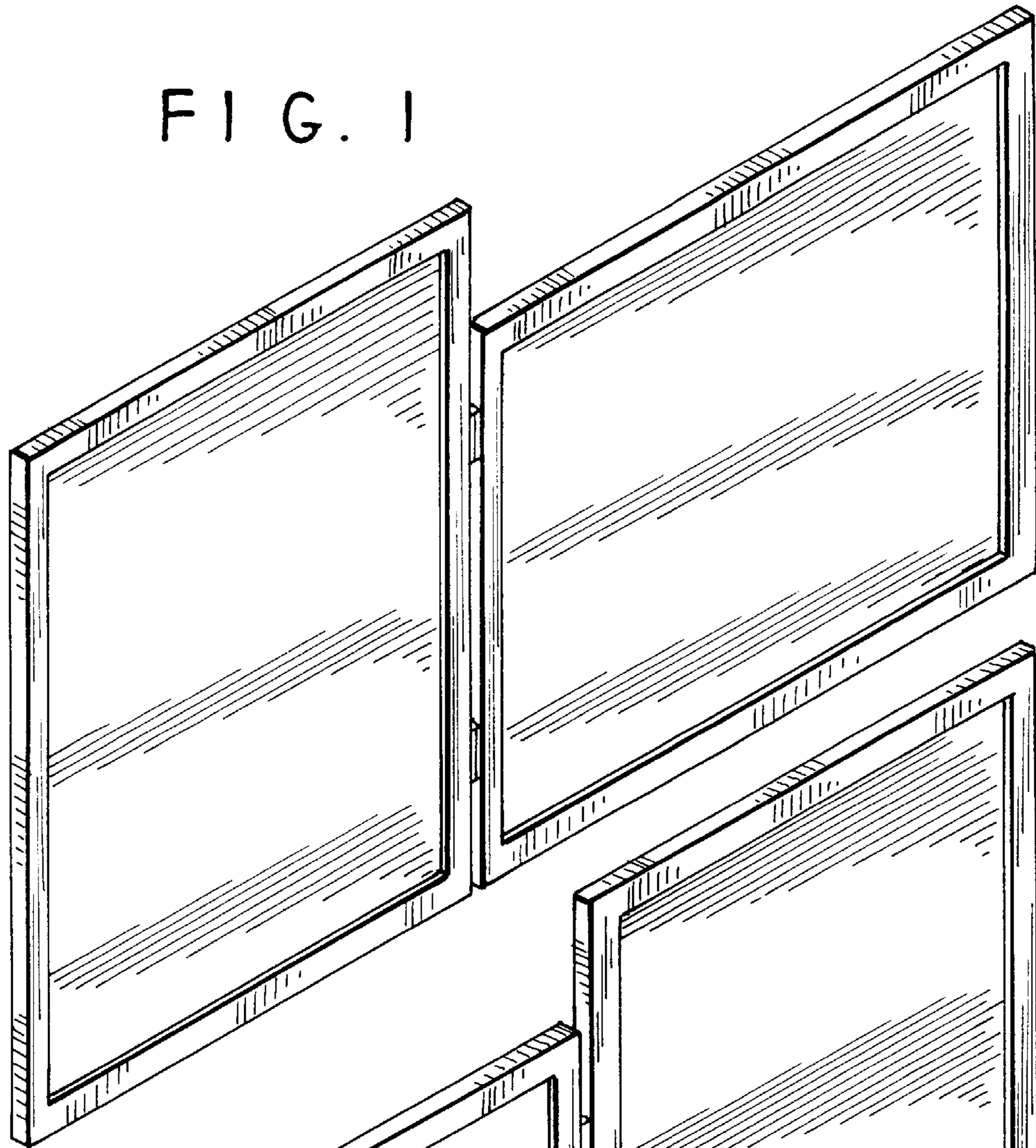


FIG. 7

FIG. 2

FIG. 4

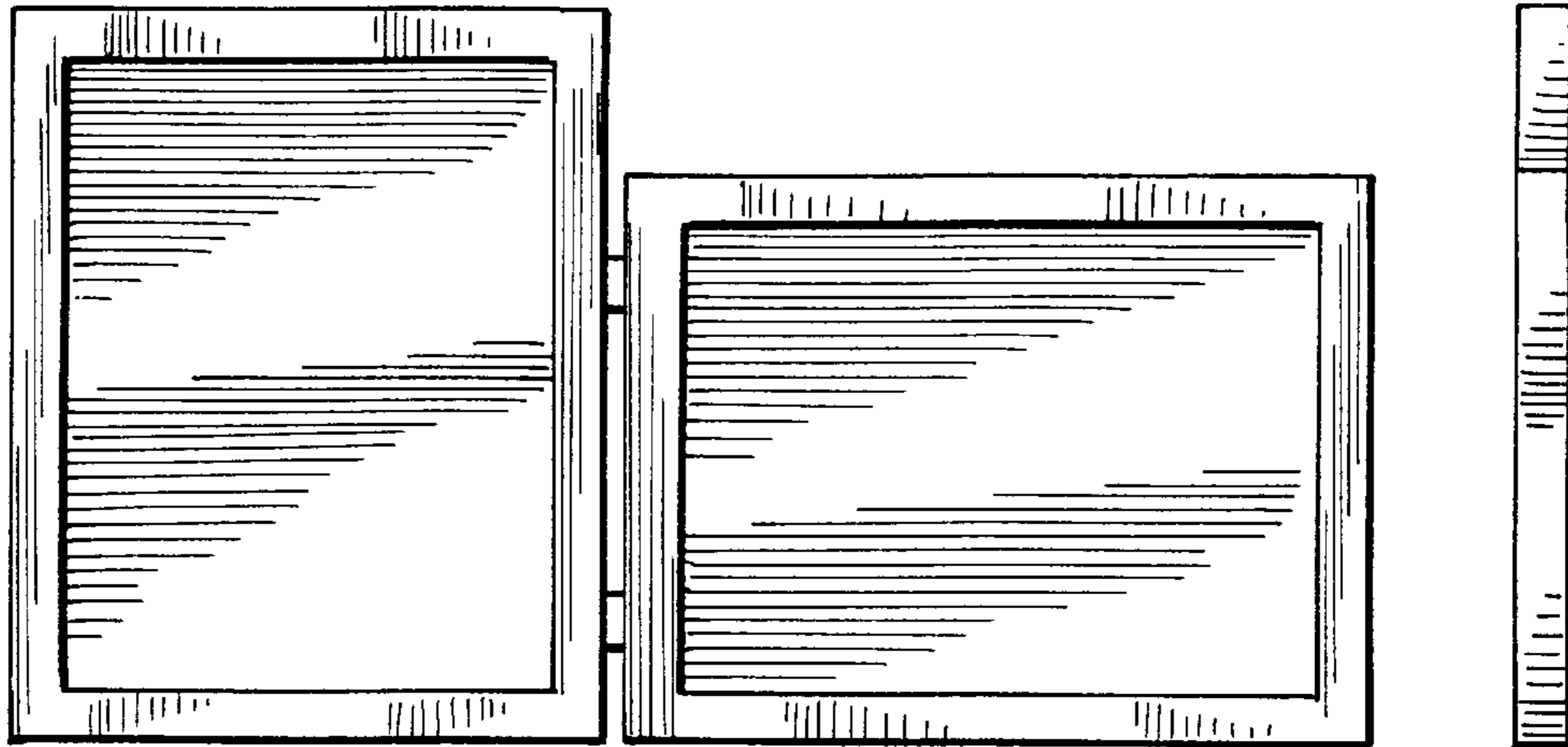


FIG. 3

FIG. 5

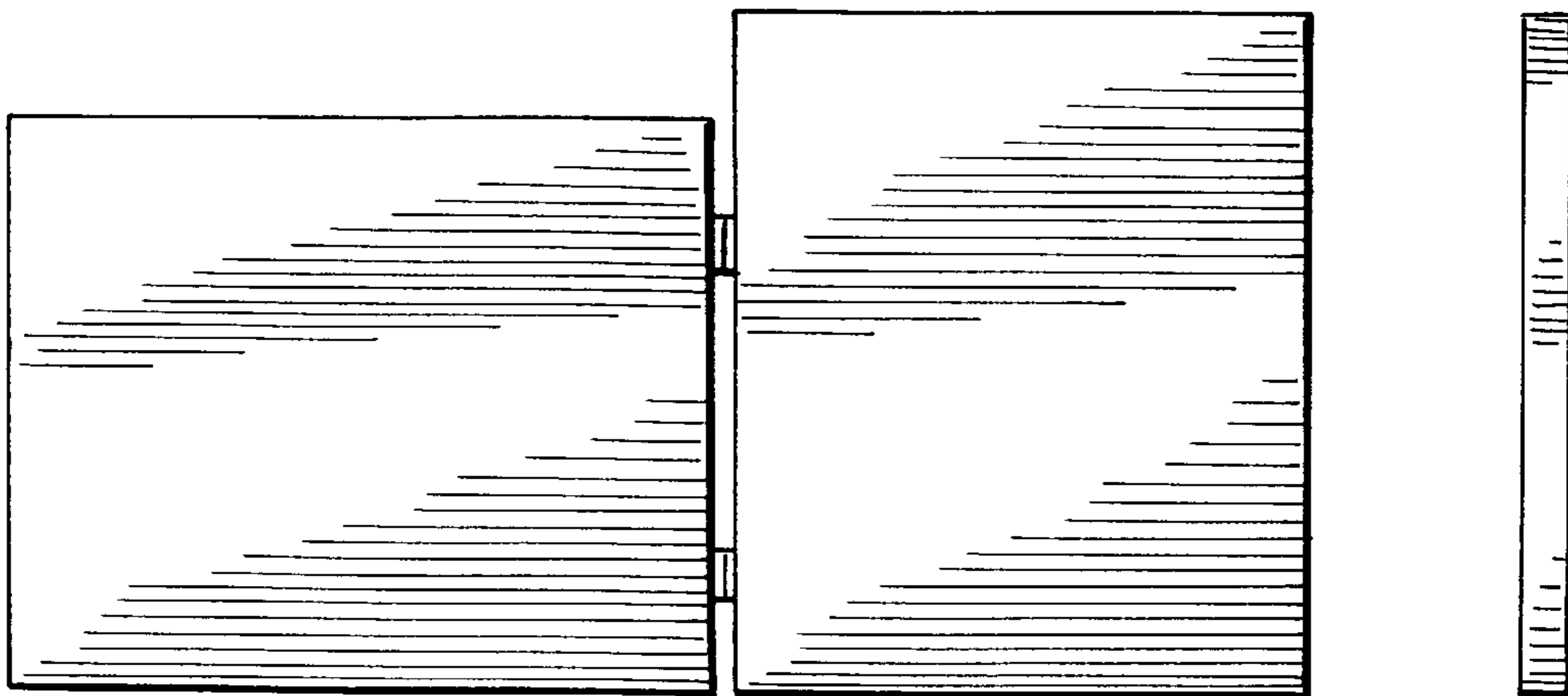


FIG. 6



FIG. 8

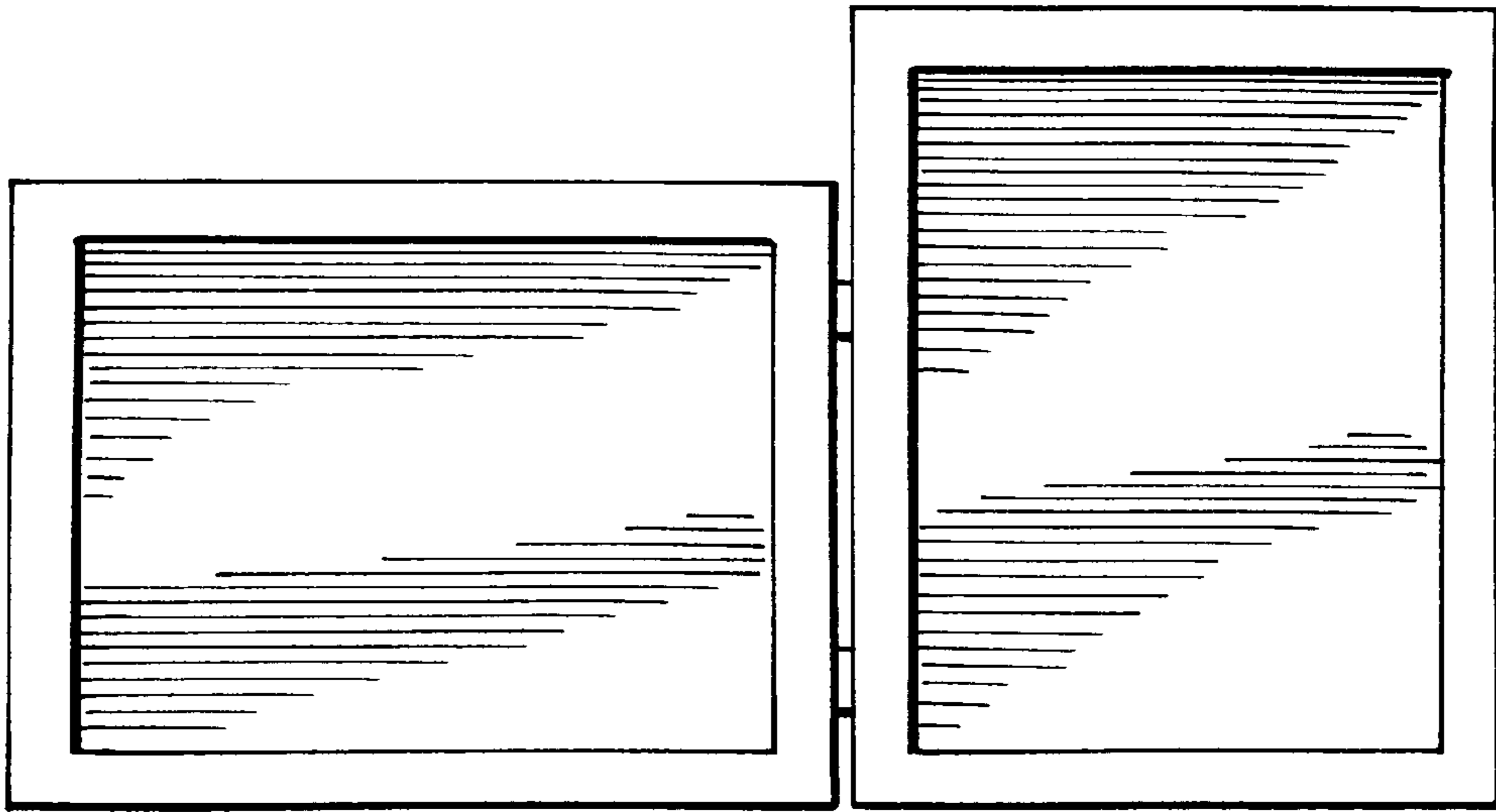


FIG. 9

