



US00D424809S

# United States Patent [19]

**Bernard**

[11] **Patent Number: Des. 424,809**

[45] **Date of Patent: \*\* May 16, 2000**

[54] **TOOTHBRUSH WITH AUXILIARY BRISTLES**

[76] Inventor: **Marvin Bernard**, 1030 Hood La., Leesville, La. 71446

[\*\*] Term: **14 Years**

[21] Appl. No.: **29/114,883**

[22] Filed: **Nov. 30, 1999**

[51] **LOC (7) Cl.** ..... **04-02**

[52] **U.S. Cl.** ..... **D4/105**

[58] **Field of Search** ..... D4/104-112, 119, D4/132-134, 138; 15/106, 110, 143.1, 159.1, 167.1, 167.2, 186, 187, 207.2; 601/139, 141

[56] **References Cited**

**U.S. PATENT DOCUMENTS**

D. 75,971	8/1928	Faubert et al.	.....	D4/106
D. 399,349	10/1998	Barth	.....	D4/106
1,452,108	4/1923	Carter	.....	15/167.1
1,605,651	11/1926	Doi	.....	15/110
2,097,010	10/1937	Arnegger	.....	401/186
2,464,321	3/1949	Konczal	.....	15/167.1
2,807,820	10/1957	Dinhofer	.....	15/176.1
3,734,106	5/1973	Zimmerman	.....	132/311
4,328,604	5/1982	Adams	.....	15/110

5,033,898	7/1991	Williams	.....	401/283
5,331,704	7/1994	Rosen et al.	.....	15/106
5,338,124	8/1994	Spicer et al.	.....	401/280
5,865,195	2/1999	Carter	.....	132/309

*Primary Examiner*—M. H. Tung  
*Assistant Examiner*—Lavone Tabor  
*Attorney, Agent, or Firm*—John M Harrison

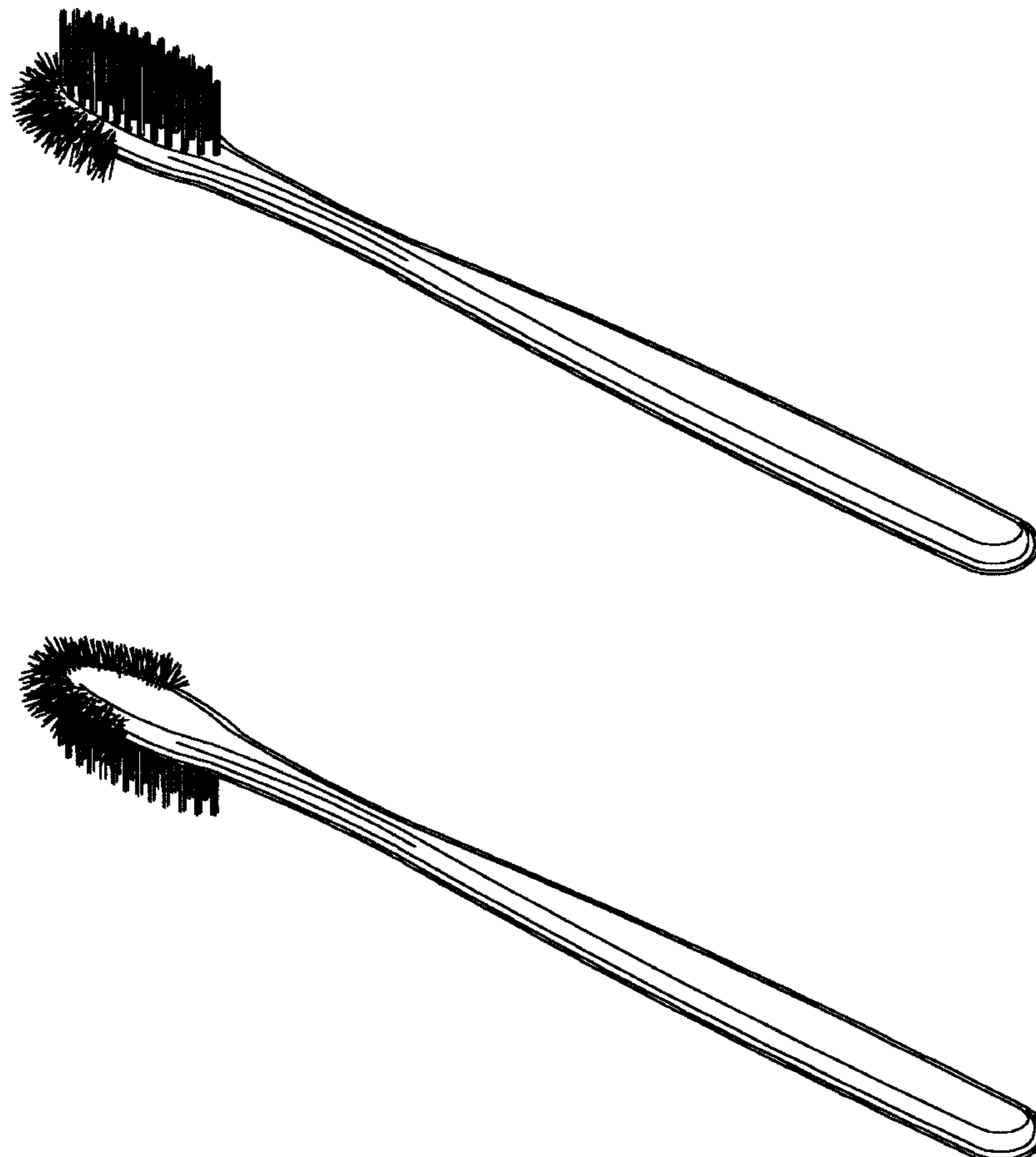
[57] **CLAIM**

The ornamental design for a “toothbrush with auxiliary bristles,” as shown and described.

**DESCRIPTION**

FIG. 1 is a left side perspective view of the toothbrush with auxiliary bristles, showing my new design;  
FIG. 2 is a right side perspective view of the toothbrush with auxiliary bristles;  
FIG. 3 is a right side inverted perspective view thereof;  
FIG. 4 is a left side inverted perspective view thereof;  
FIG. 5 is a front view thereof;  
FIG. 6 is a rear view thereof;  
FIG. 7 is a top view thereof;  
FIG. 8 is a bottom view thereof;  
FIG. 9 is a left side view thereof; and,  
FIG. 10 is a right side view of the toothbrush with auxiliary bristles illustrated in FIGS. 1-9.

**1 Claim, 3 Drawing Sheets**



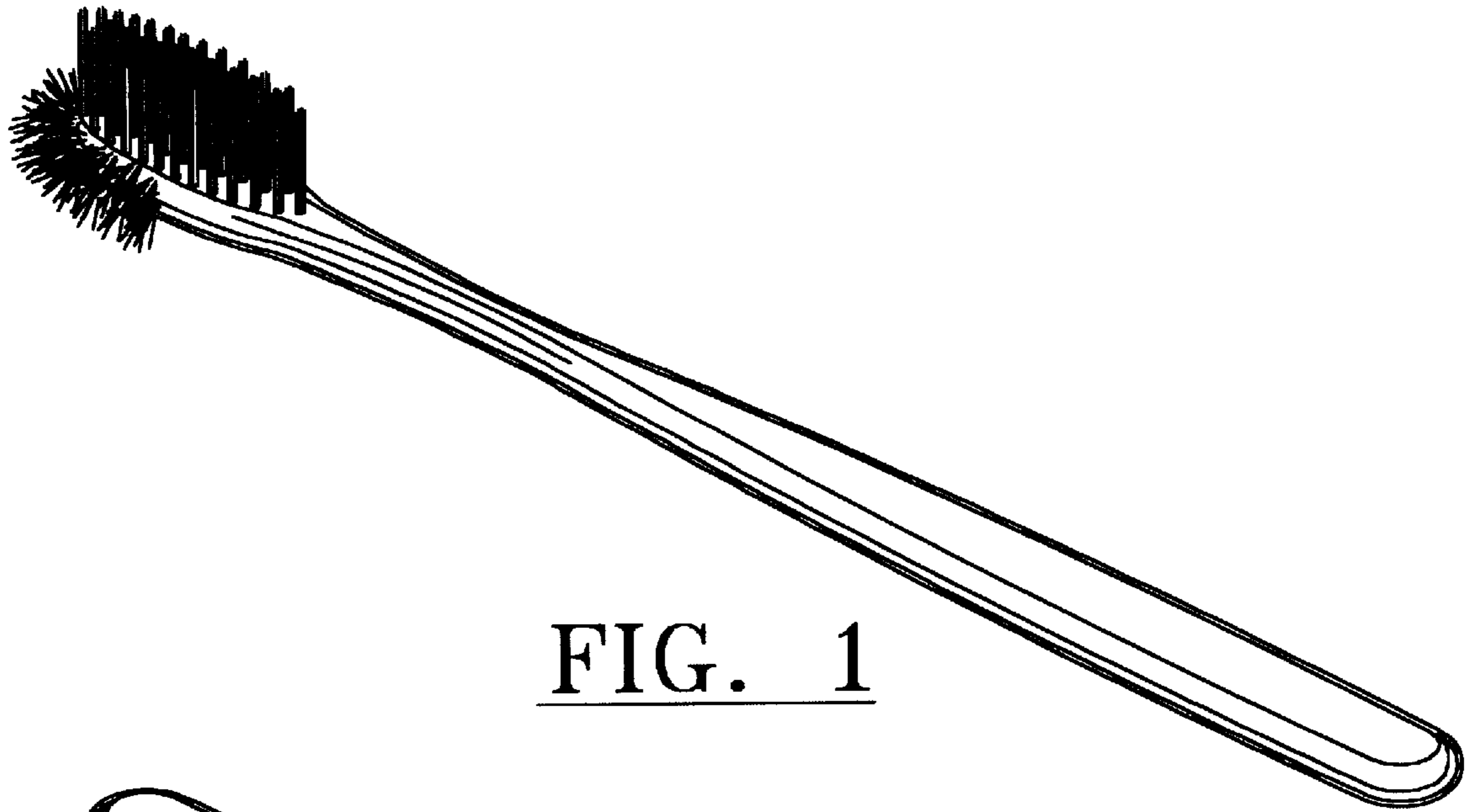


FIG. 1

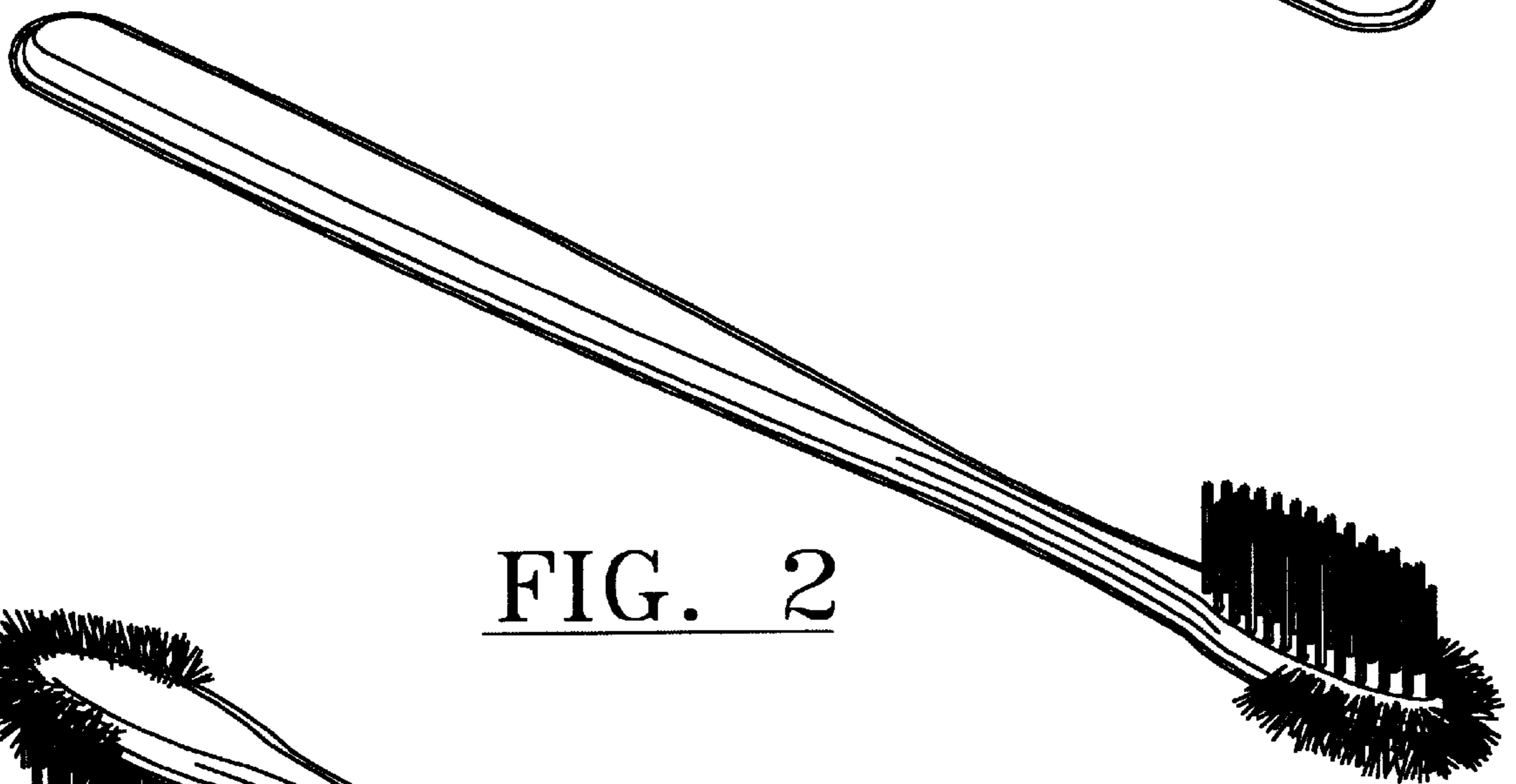


FIG. 2

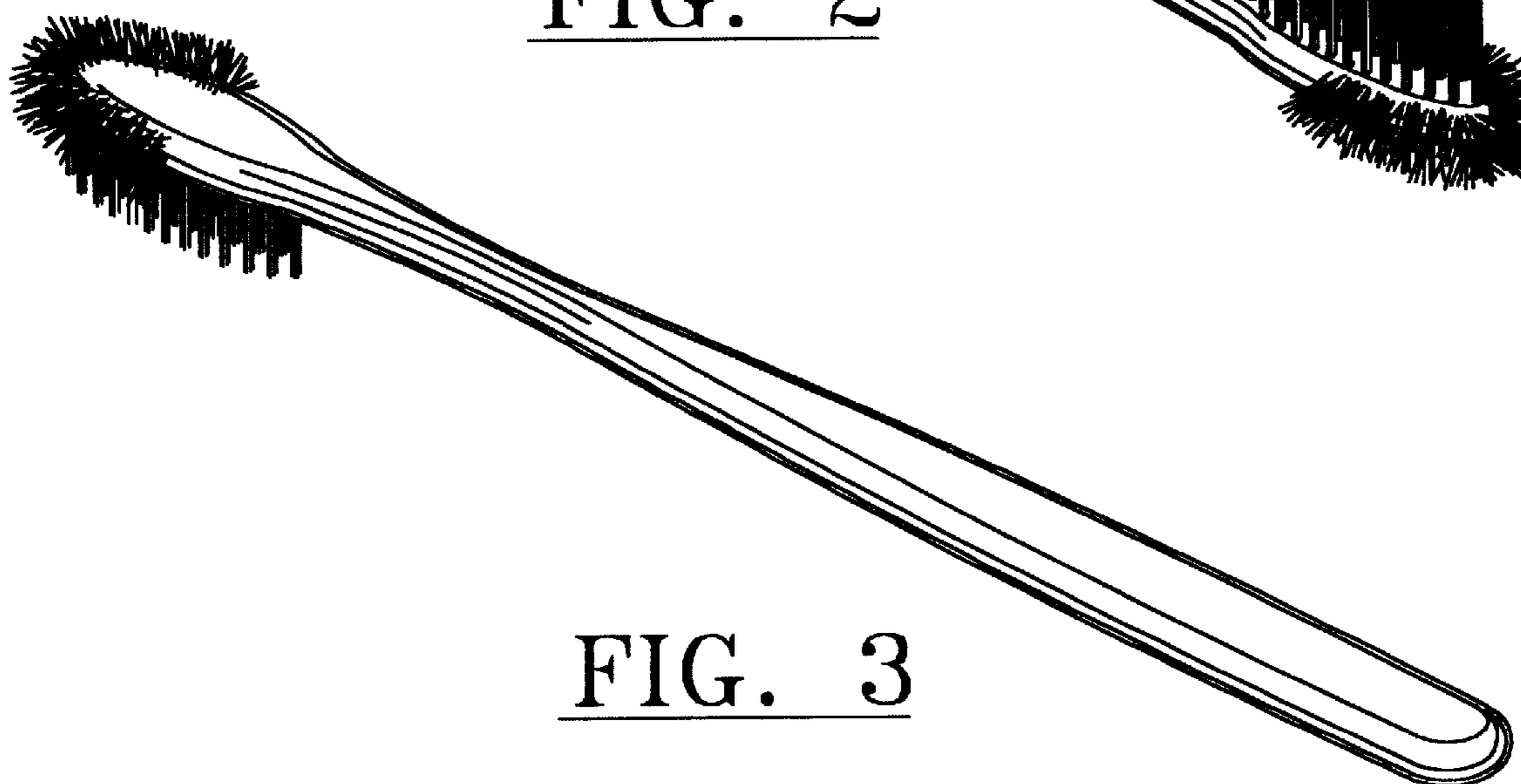


FIG. 3

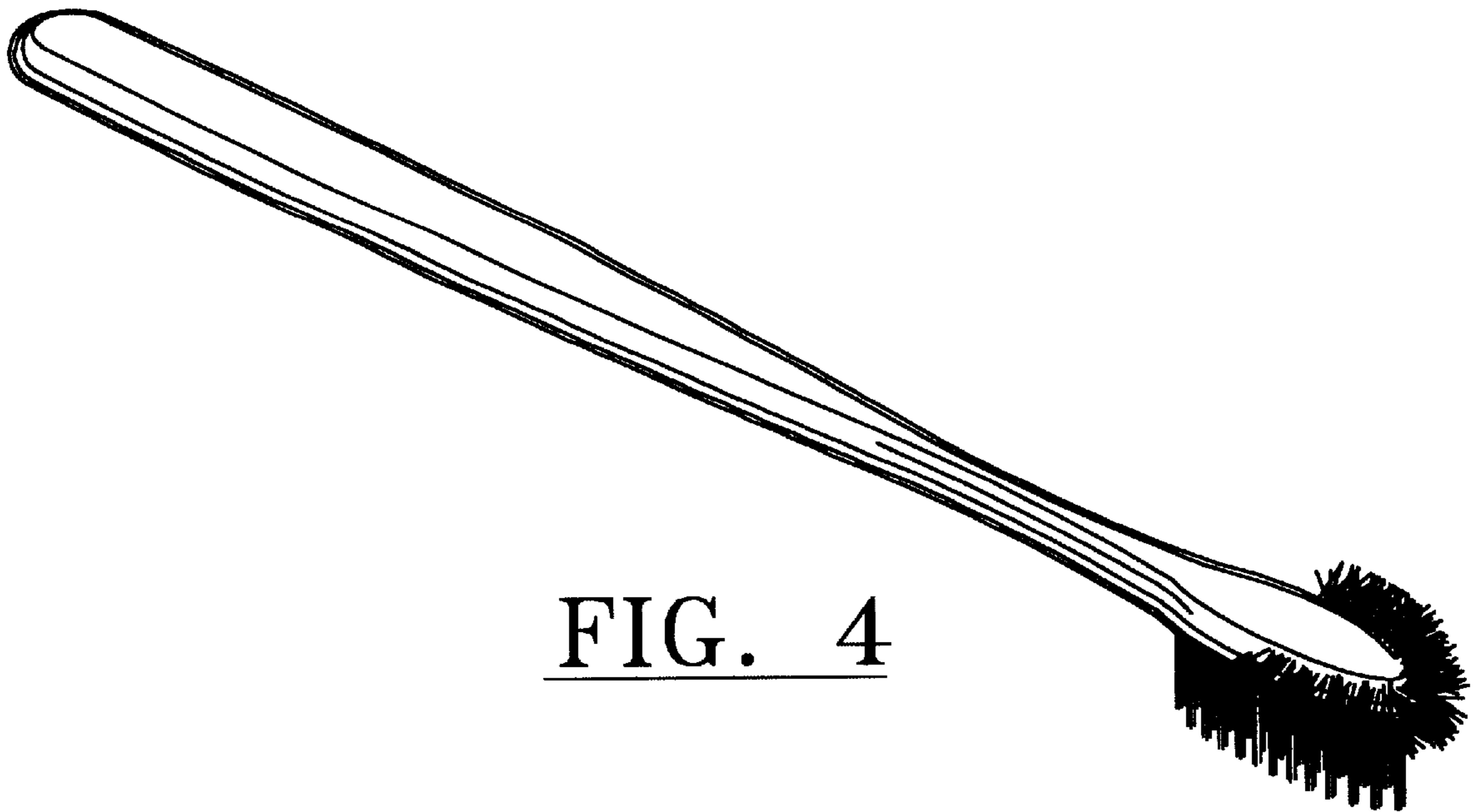


FIG. 4

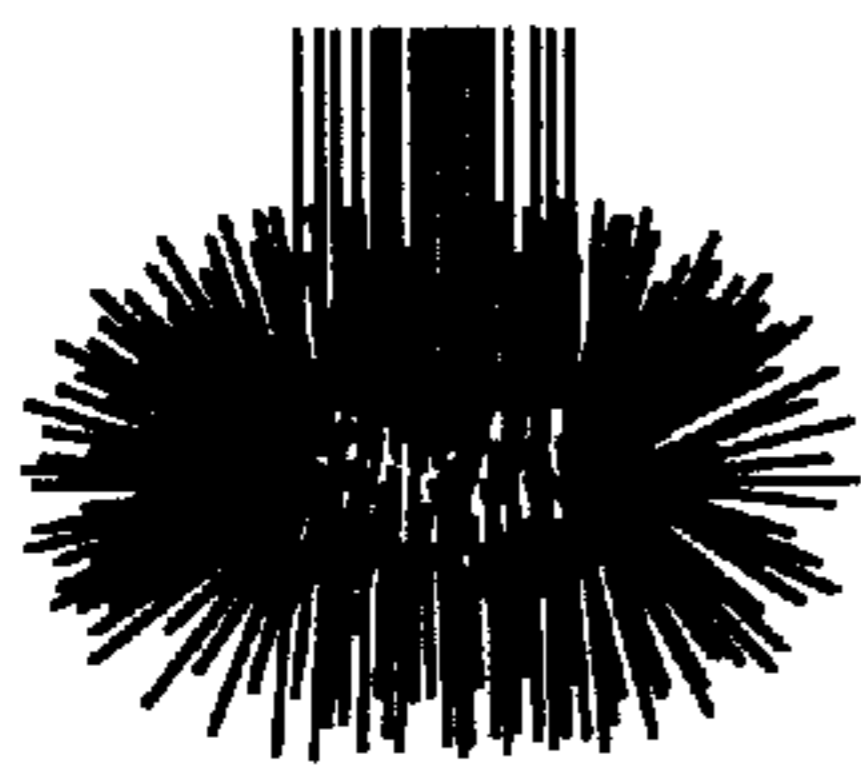


FIG. 5

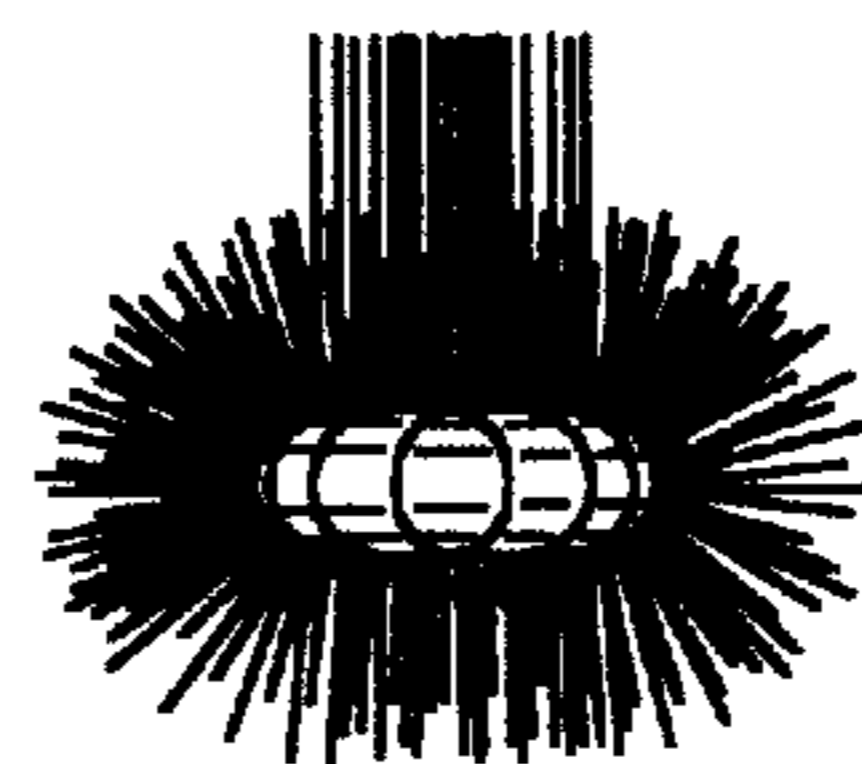


FIG. 6

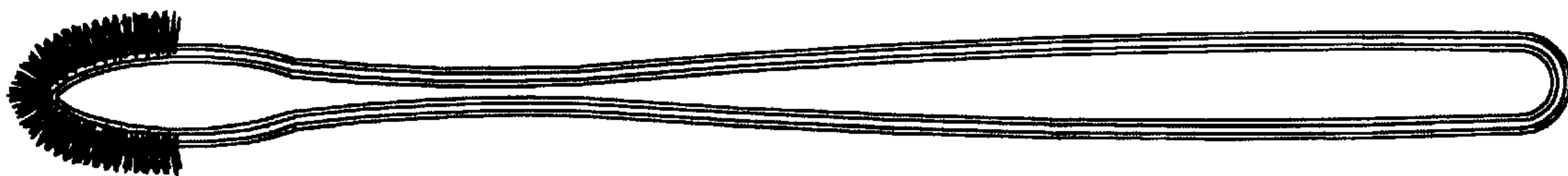


FIG. 7

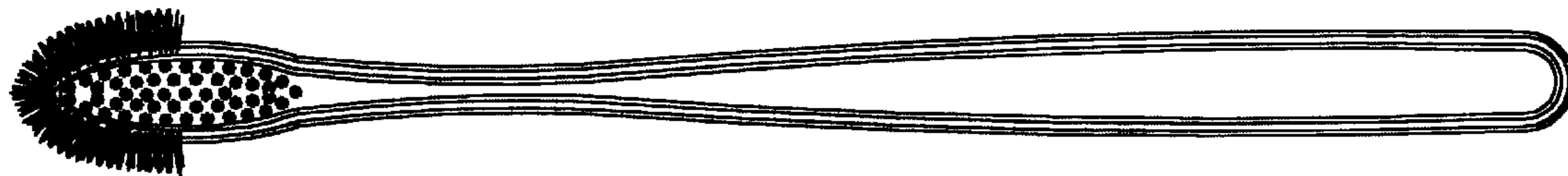


FIG. 8

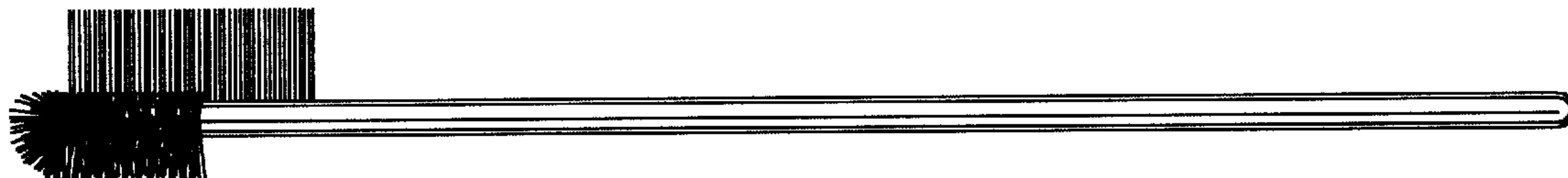


FIG. 9

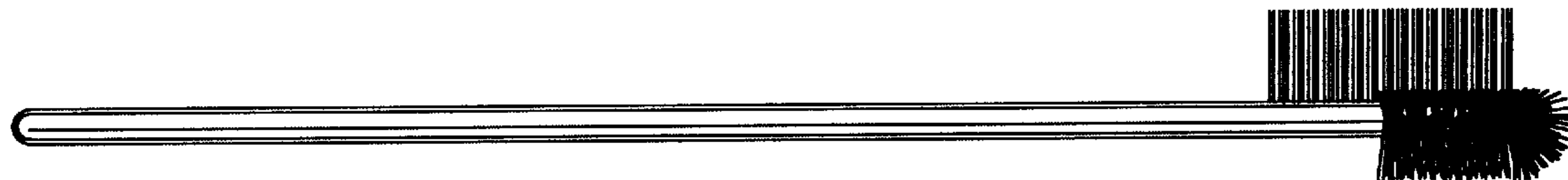


FIG. 10