



US00D424807S

United States Patent [19]
Dembicks

[11] **Patent Number: Des. 424,807**

[45] **Date of Patent: ** May 16, 2000**

[54] **20-COMPARTMENT TRAY**

4,872,559 10/1989 Schoon 206/561
4,887,790 12/1989 Wilkinson et al. 220/507
5,753,456 5/1998 Naqui et al. 220/507

[76] Inventor: **Andrew E. Dembicks**, 5308 Boca Marina Cir. North, Boca Raton, Fla. 33487

Primary Examiner—Louis S. Zarfaz
Assistant Examiner—Monica A. Weingart
Attorney, Agent, or Firm—Quarles & Brady LLP

[*] Notice: This patent is subject to a terminal disclaimer.

[**] Term: **14 Years**

[57] **CLAIM**

An ornamental design for a 20-compartment tray, as shown and described.

[21] Appl. No.: **29/096,900**

DESCRIPTION

[22] Filed: **Nov. 23, 1998**

[51] **LOC (7) Cl.** **03-01**

FIG. 1 is a top isometric view of the 20-compartment tray according to the present invention;
FIG. 2 is a bottom isometric view of the 20-compartment tray in FIG. 1;
FIG. 3 is a right side view of the 20-compartment tray in FIG. 1;
FIG. 4 is a front view of the 20-compartment tray in FIG. 1;
FIG. 5 is a rear view of the 20-compartment tray in FIG. 1;
FIG. 6 is a perspective view of the 20-compartment tray in FIG. 1; and,
FIG. 7 is a cross-sectional view of the 20-compartment tray taken along the lines "7—7" in FIG. 1.

[52] **U.S. Cl.** **D3/313; D3/201; D3/304; D3/314**

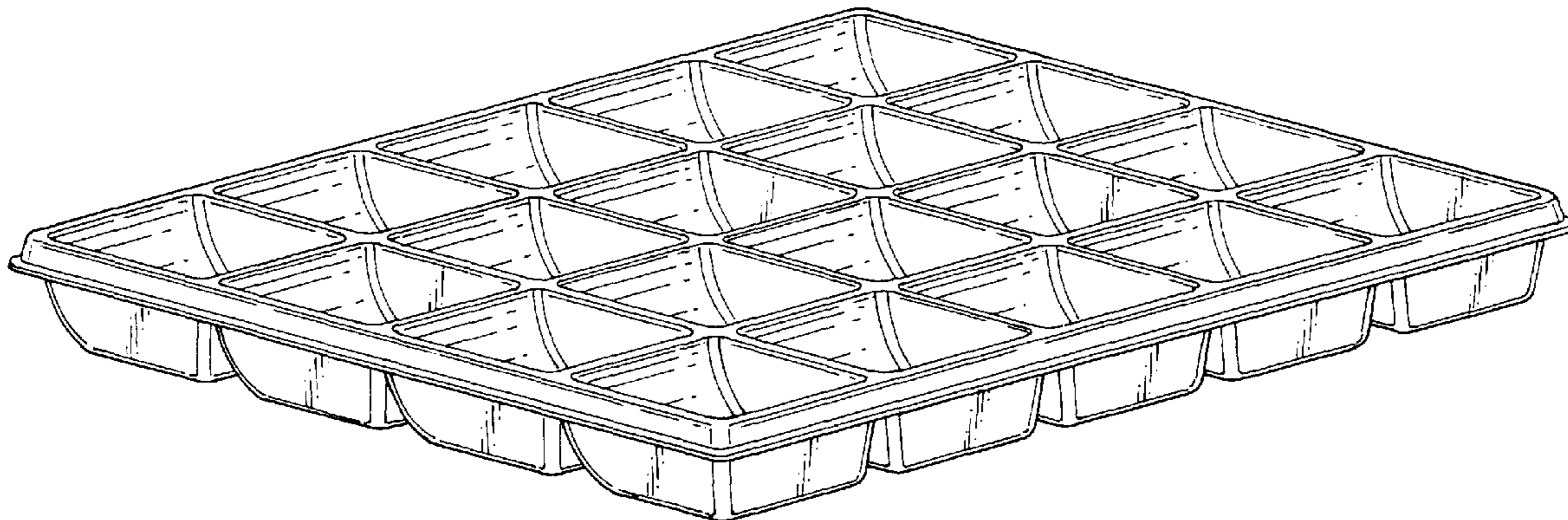
[58] **Field of Search** D3/201, 304, 313, D3/314; 206/561; 220/507

[56] **References Cited**

U.S. PATENT DOCUMENTS

D. 278,255 4/1985 Evenson D3/313 X
D. 321,074 10/1991 Eby D3/313
2,162,162 6/1939 Murguiondo 220/507
2,313,394 3/1943 Norris 220/507

1 Claim, 2 Drawing Sheets



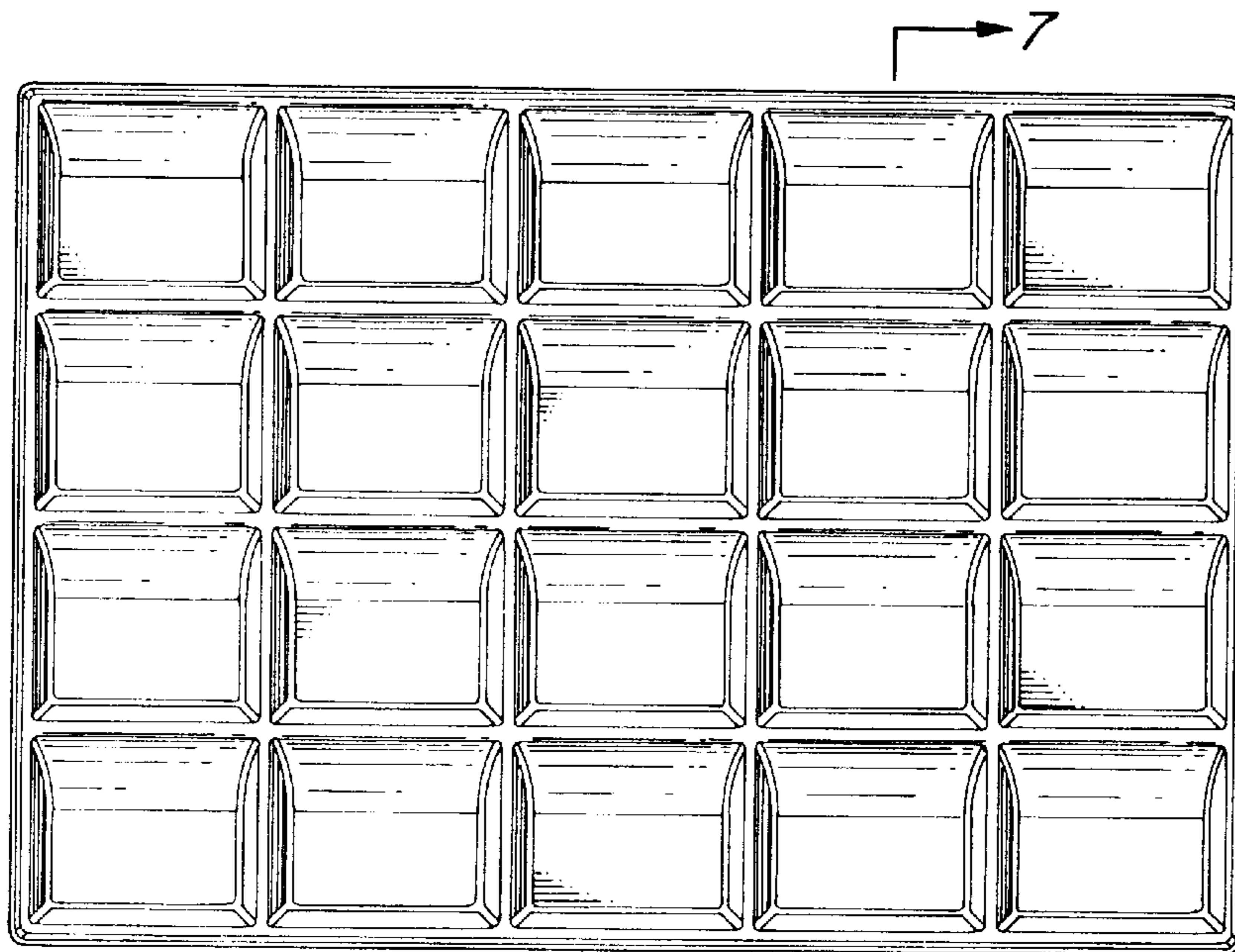


FIG. 1

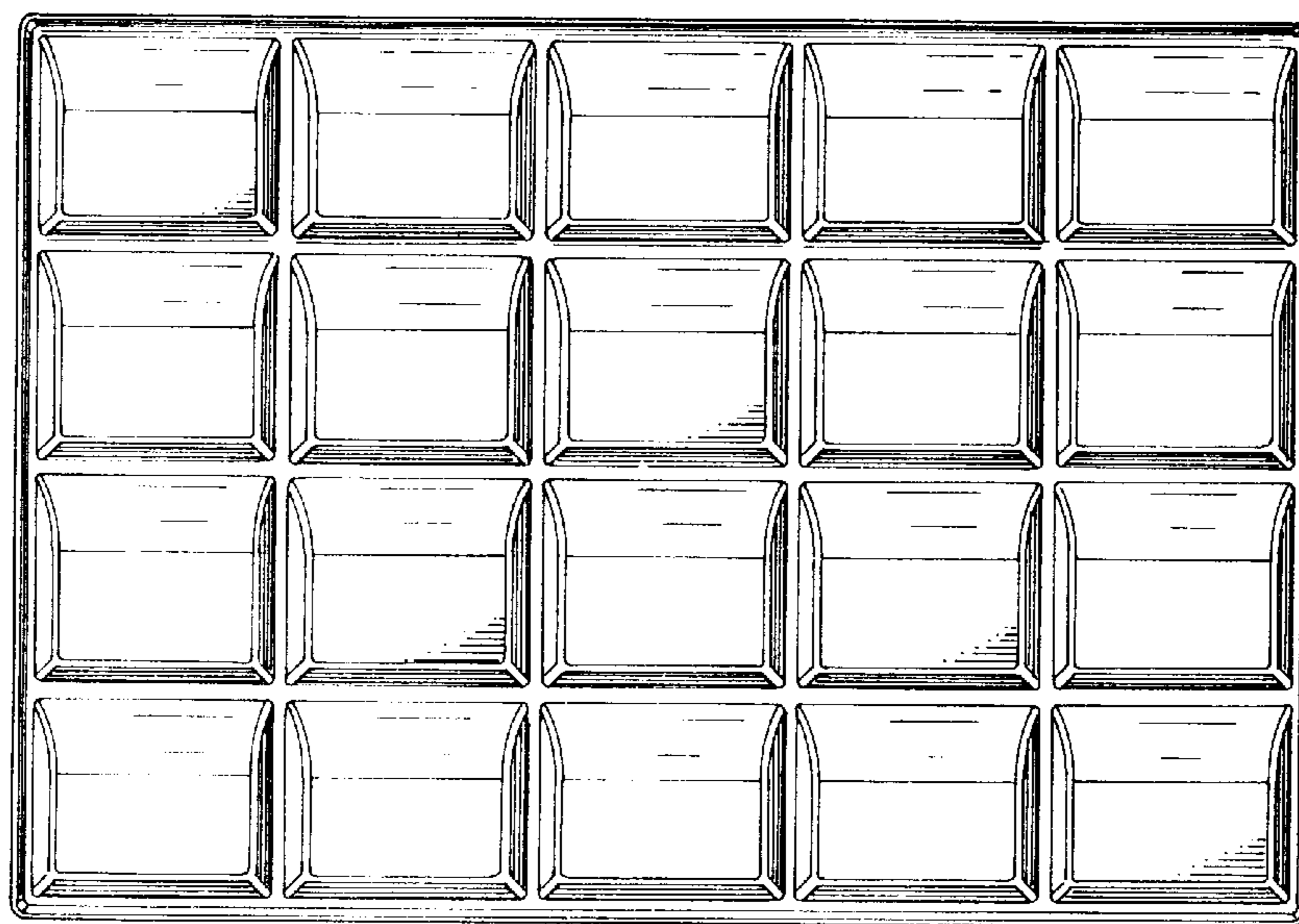


FIG. 2



FIG. 3

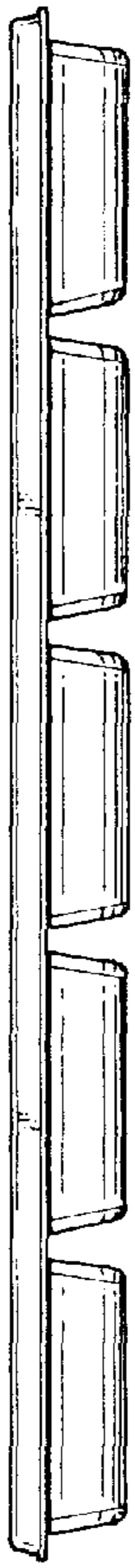


FIG. 4



FIG. 5

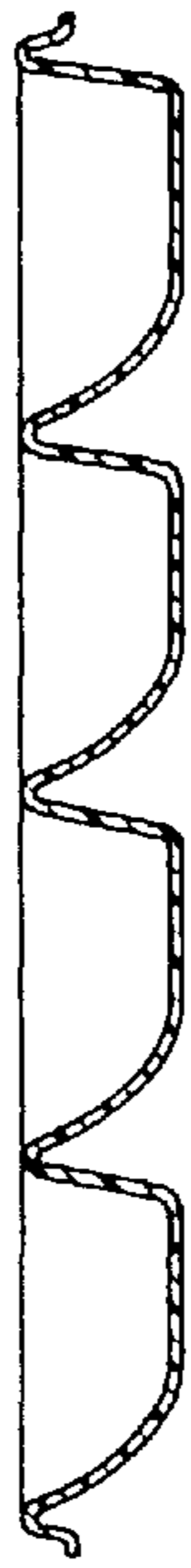


FIG. 7

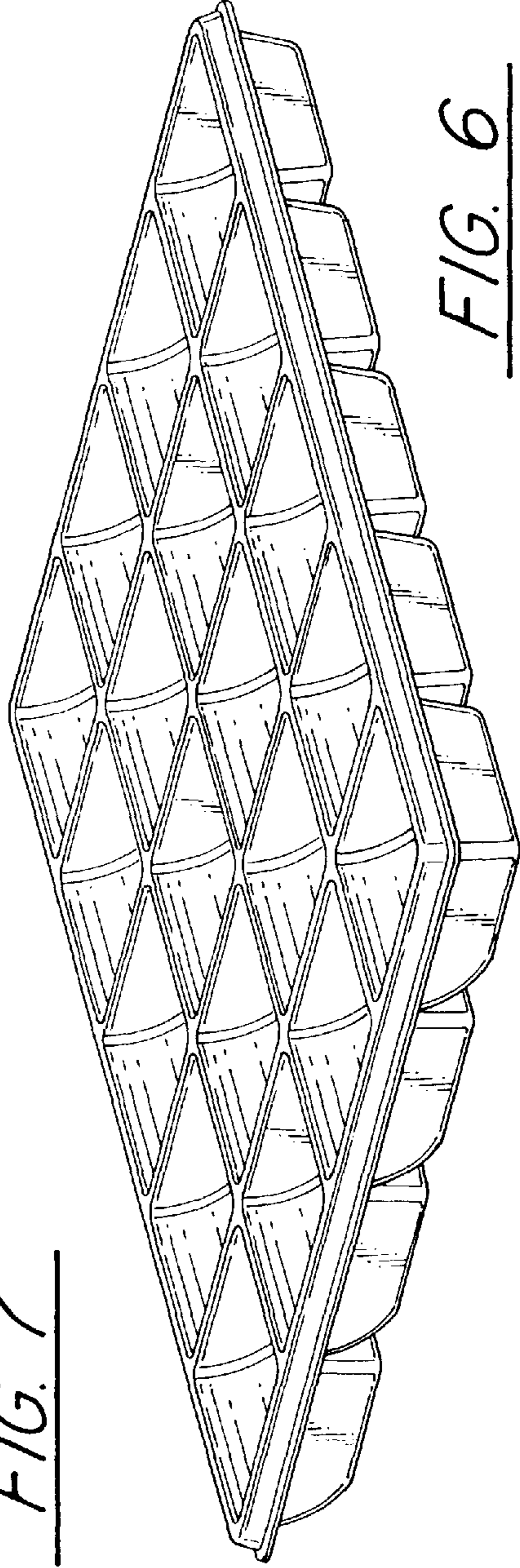


FIG. 6