



US00D424805S

# United States Patent [19] Green

[11] **Patent Number: Des. 424,805**

[45] **Date of Patent: \*\* May 16, 2000**

[54] **UNDER SEAT STORAGE CONTAINER FOR VEHICLE**

[76] Inventor: **Howard T. Green**, 5900 Fairham Rd., Hamilton, Ohio 45011

[\*\*] Term: **14 Years**

[21] Appl. No.: **07/788,741**

[22] Filed: **Nov. 7, 1991**

[51] **LOC (7) Cl.** ..... **03-01**

[52] **U.S. Cl.** ..... **D3/304**

[58] **Field of Search** ..... D3/201, 272, 304, D3/314, 905; D9/424, 425, 432, 414; 206/319, 335, 518, 557; 220/562, 571, 571.1, 572, 573, 651, 659, 675, 674, DIG. 5

[56] **References Cited**

**U.S. PATENT DOCUMENTS**

- D. 210,274 2/1968 Wilson .
- D. 250,402 11/1978 Connell et al. .

- D. 272,288 1/1984 Pfaff .
- D. 274,012 5/1984 Williams .
- D. 282,883 3/1986 Kiiski .
- D. 292,539 10/1987 Harlow, Jr. et al. .
- D. 305,699 1/1990 Hubbard .

*Primary Examiner*—Prabhakar G. Deshmukh

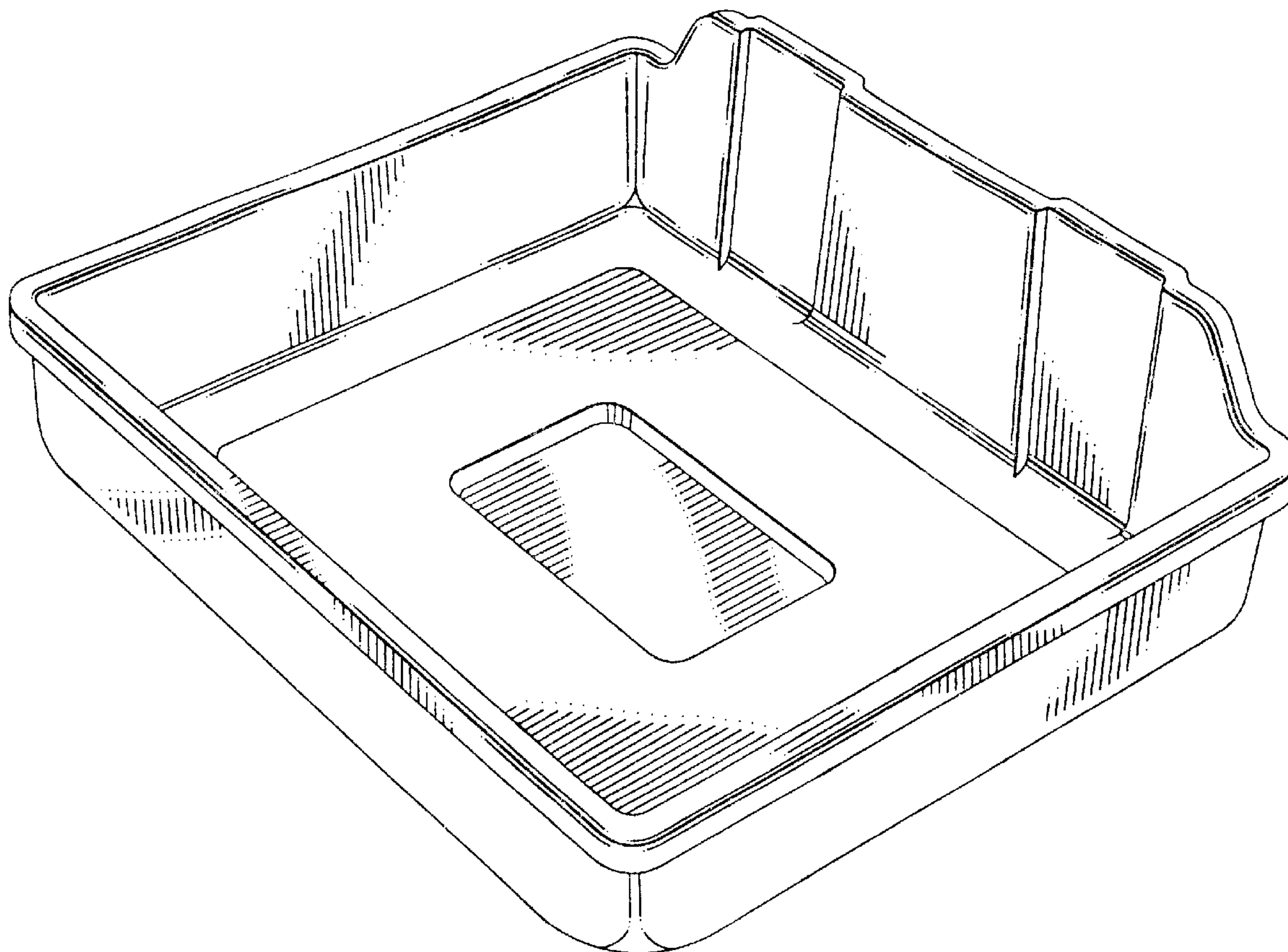
[57] **CLAIM**

The ornamental design for an under-seat storage container for vehicle.

**DESCRIPTION**

FIG. 1 is a top perspective view of an under-seat storage container for motor vehicle showing my new design; FIG. 2 is a front elevation view thereof; FIG. 3 is a right hand elevational view thereof, the left side elevation view being a mirror image thereof; FIG. 4 is a top plan view thereof; FIG. 5 is a bottom plan view thereof; and, FIG. 6 is a rear elevational view thereof.

**1 Claim, 3 Drawing Sheets**



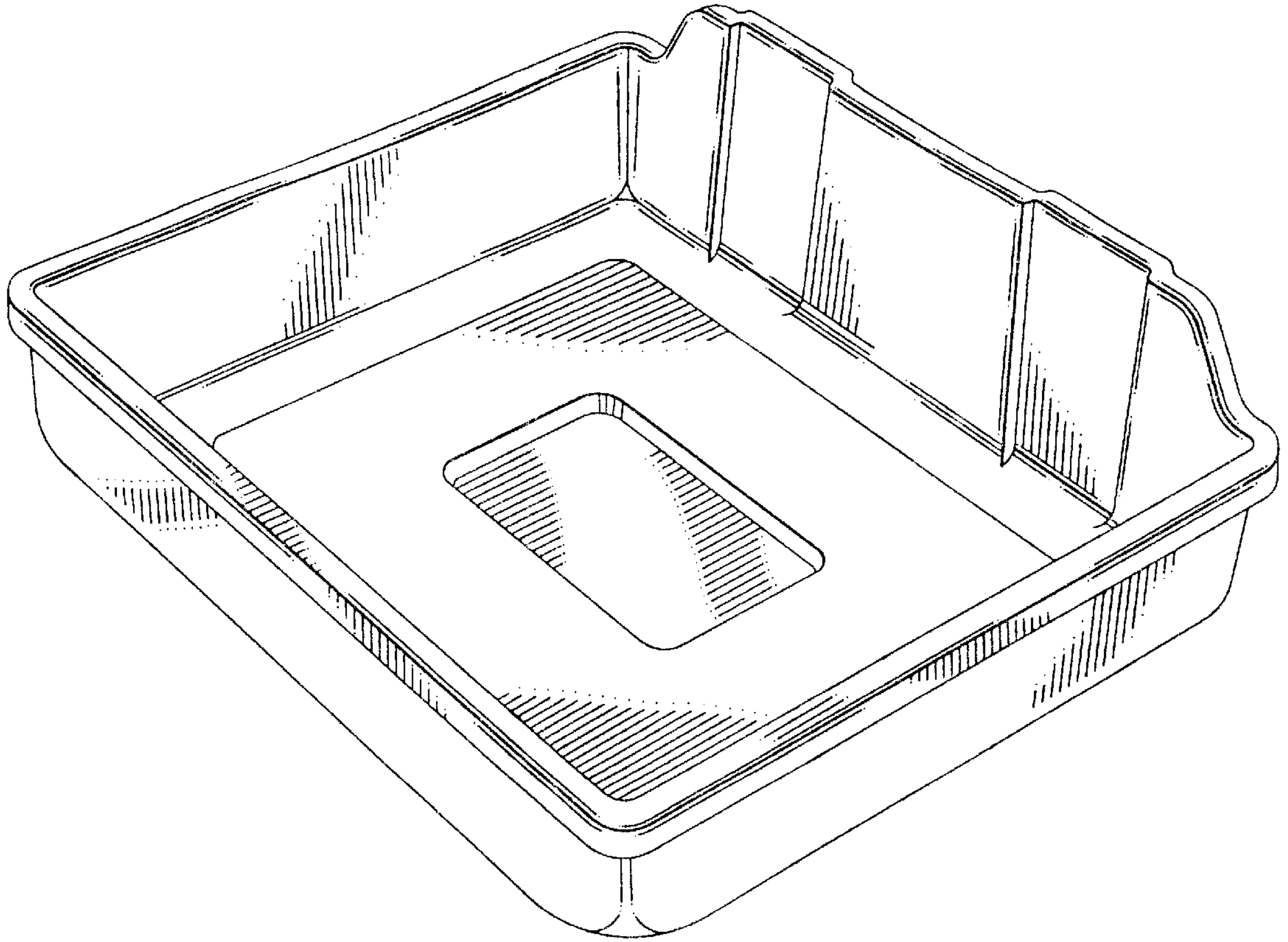


FIG. 1

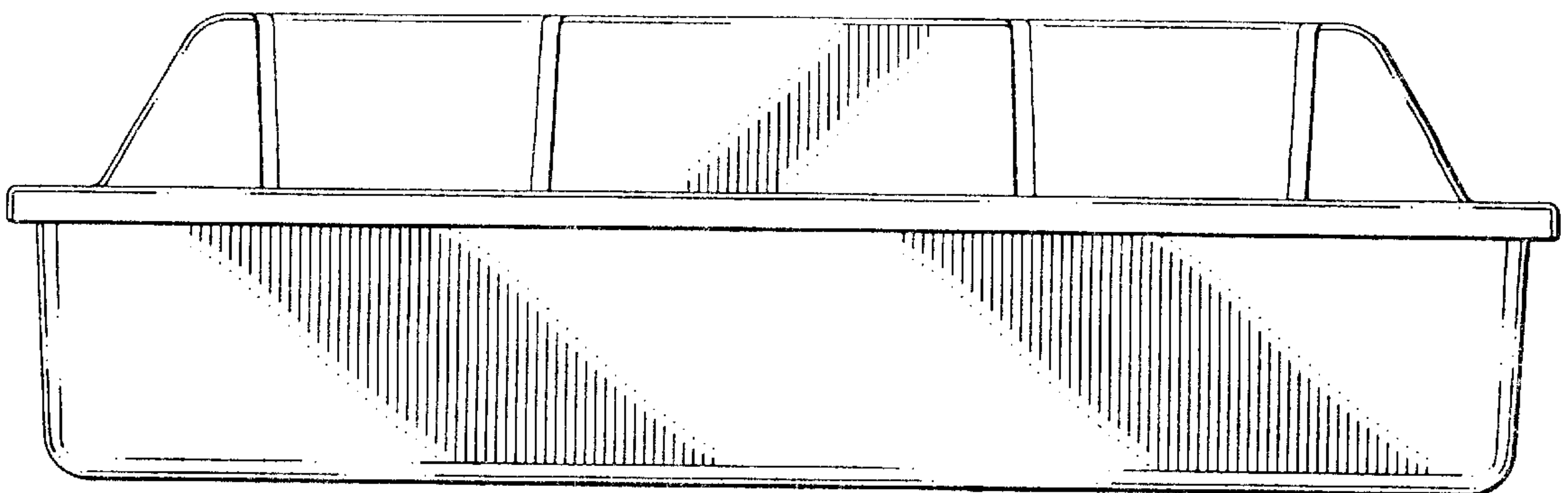


FIG. 2

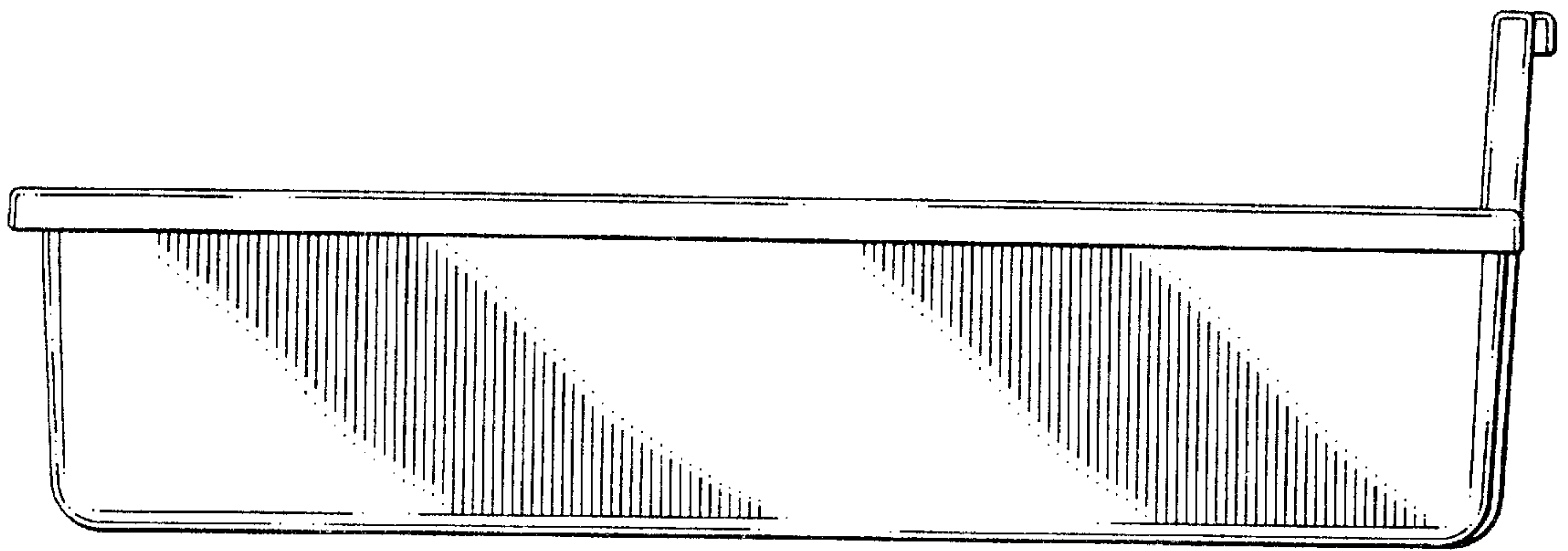


FIG. 3

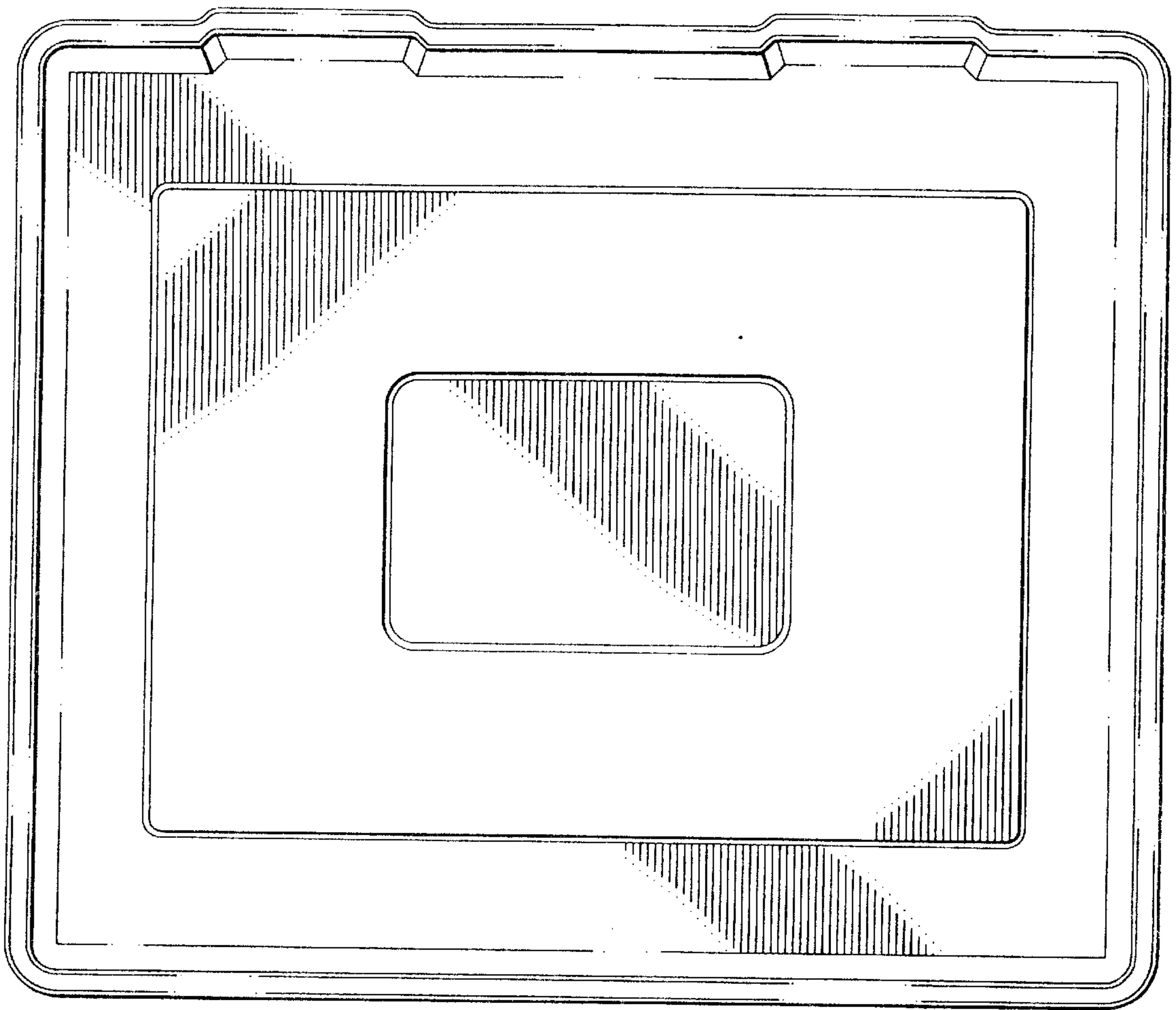


FIG. 4



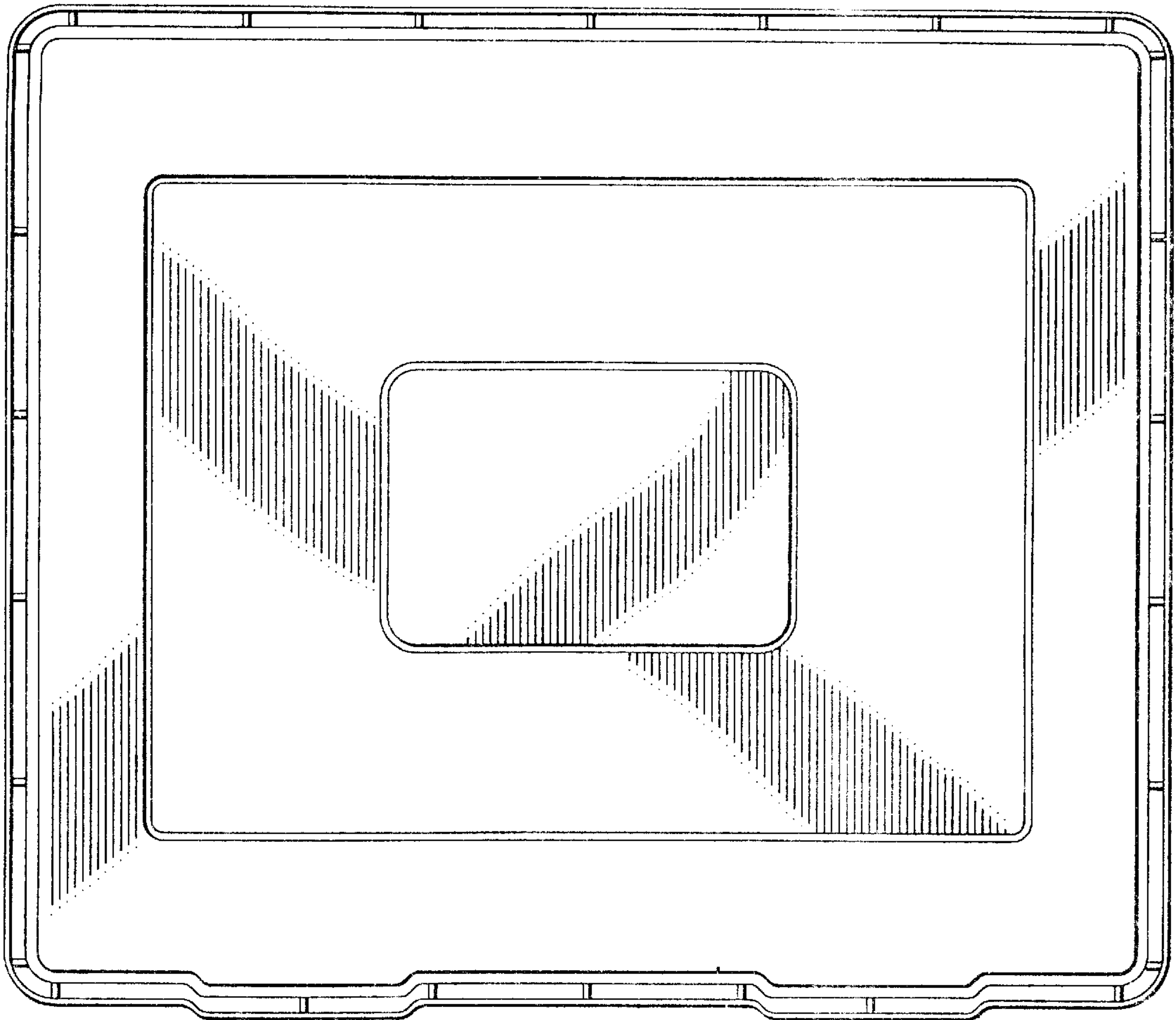


FIG. 5

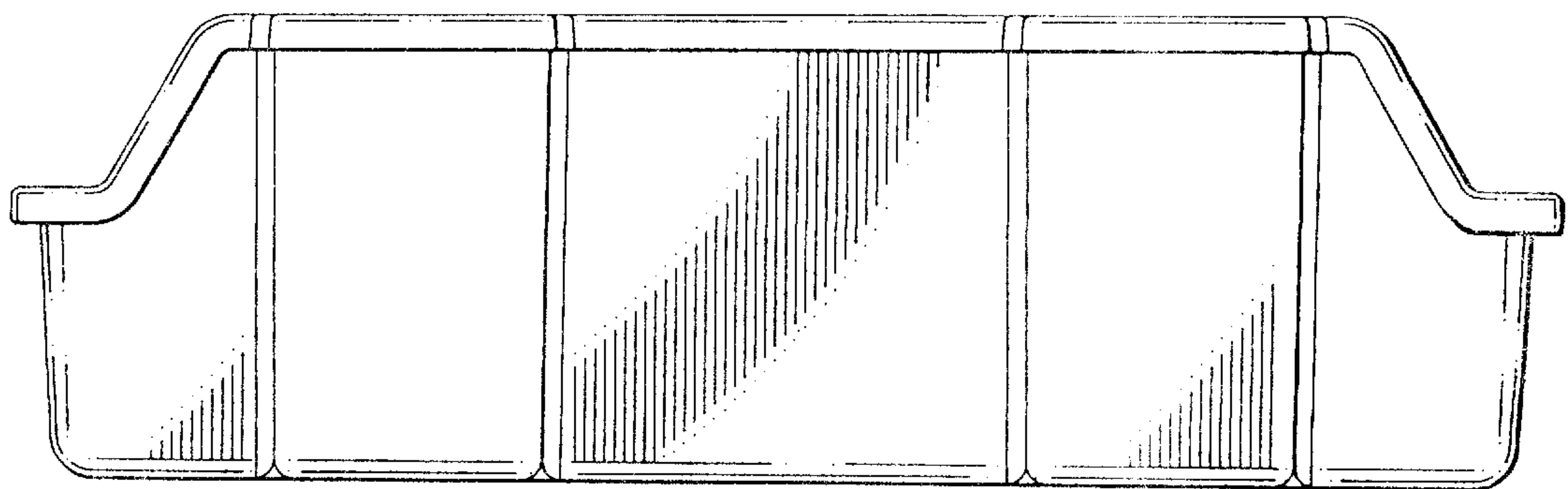


FIG. 6