



US00D424803S

United States Patent [19] Kojoori

[11] **Patent Number: Des. 424,803**

[45] **Date of Patent: ** May 16, 2000**

[54] **FRONT POCKET WALLET**

[75] Inventor: **Ramineh Kojoori**, Plano, Tex.

[73] Assignee: **Fossil, Inc.**, Richardson, Tex.

[**] Term: **14 Years**

[21] Appl. No.: **29/108,791**

[22] Filed: **Aug. 2, 1999**

[51] **LOC (7) Cl.** **03-01**

[52] **U.S. Cl.** **D3/249; D3/247; D3/250; D3/251**

[58] **Field of Search** **D3/247, 249, 250, D3/251; 150/102, 106, 131, 132, 136, 137, 145**

[56] **References Cited**

U.S. PATENT DOCUMENTS

- D. 114,480 3/1939 Wege .
- D. 120,814 5/1940 Linderman .
- D. 133,556 8/1942 Wege .
- D. 136,609 11/1943 Patterson .
- D. 137,656 4/1944 Koch .
- D. 137,726 4/1944 Berens .
- D. 139,417 11/1944 Glafke .
- D. 139,847 12/1944 Berens .
- D. 175,071 7/1955 Griffith .
- D. 299,791 2/1989 Bishop .
- D. 385,417 10/1997 White et al. .

- 1,856,703 5/1932 Groom .
- 2,727,549 12/1955 Knee .
- 4,825,922 5/1989 Rolfs .
- 4,903,745 2/1990 Roman .
- 5,103,884 4/1992 Roman .

Primary Examiner—Louis S. Zarfes
Assistant Examiner—Monica A. Weingart
Attorney, Agent, or Firm—Strasburger & Price, LLP; Jane A. O’Connell

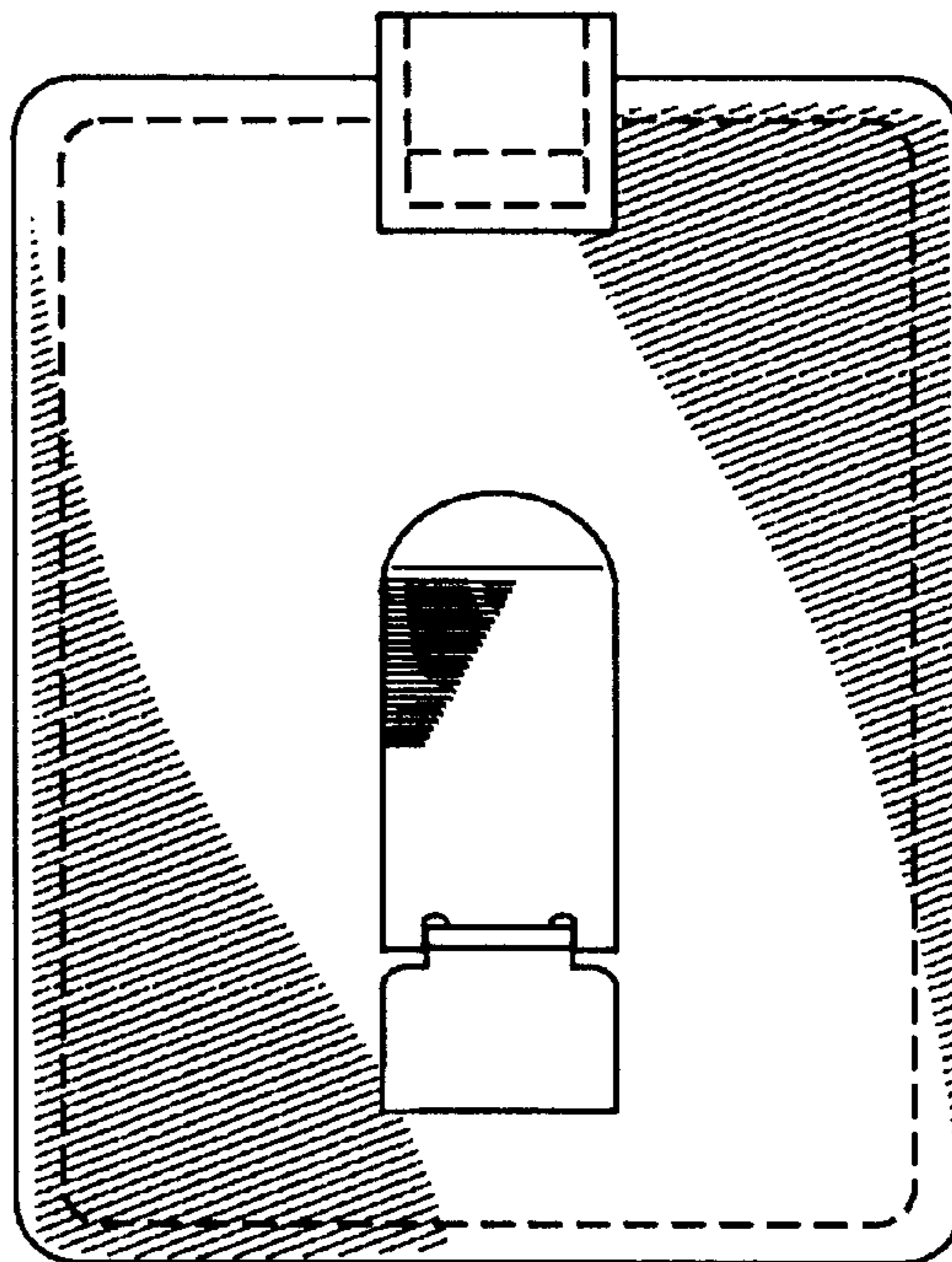
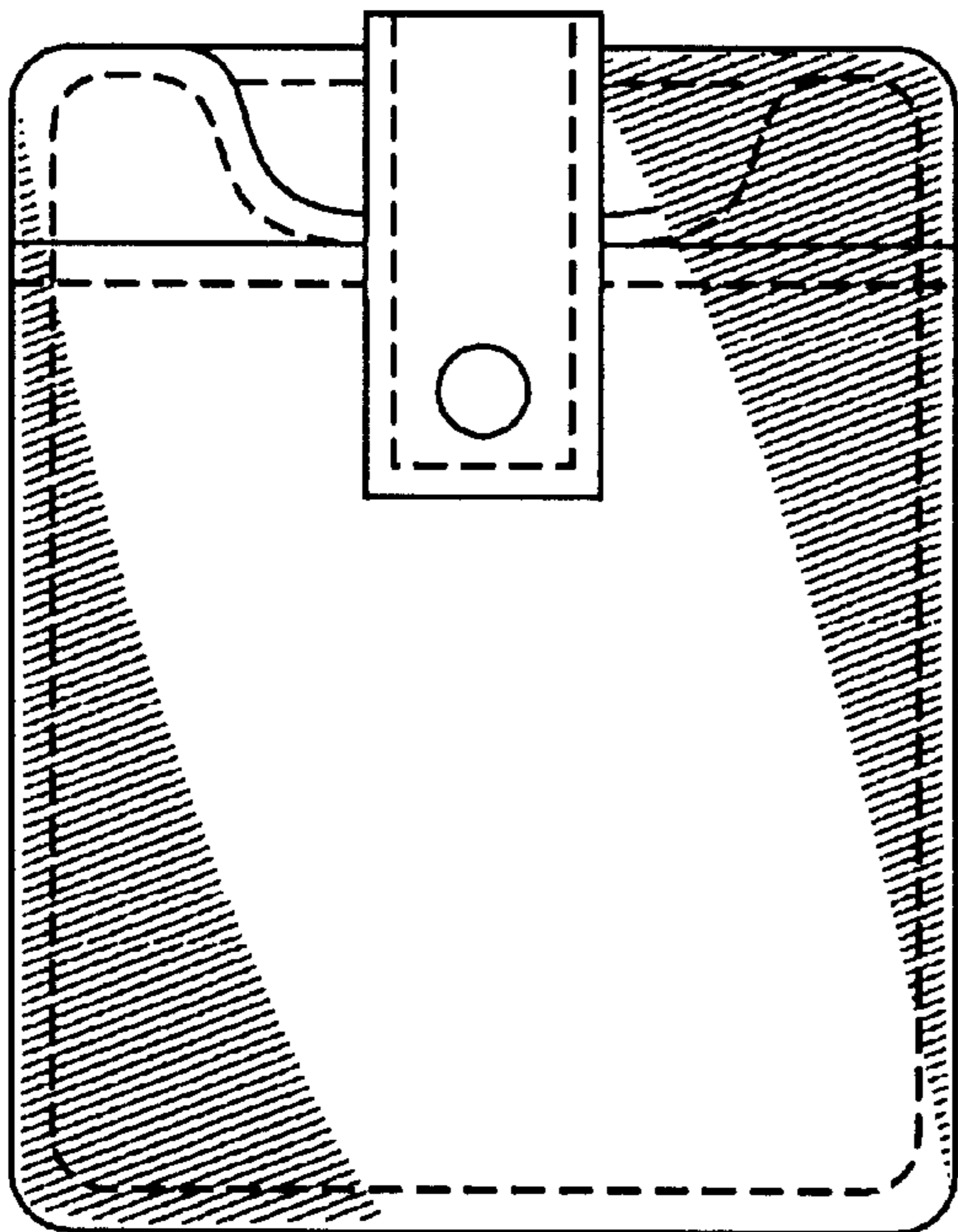
[57] **CLAIM**

I claim the ornamental design for the front pocket wallet, as shown and described.

DESCRIPTION

FIG. 1 is a front view of the front pocket wallet of the present invention.
FIG. 2 is a front perspective view of the front pocket wallet.
FIG. 3 is a top view of the front pocket wallet.
FIG. 4 is a bottom view of the front pocket wallet.
FIG. 5 is a back perspective view of the front pocket wallet.
FIG. 6 is a back view of the front pocket wallet.
FIG. 7 is a right view of the front pocket wallet.
FIG. 8 is a left view of the front pocket wallet; and,
FIG. 9 is a front perspective view of the front pocket wallet.
The broken line showing of paper money in FIG. 5 and a card in FIG. 8 is for illustrative purposes only and forms no part of the claimed design.

1 Claim, 3 Drawing Sheets



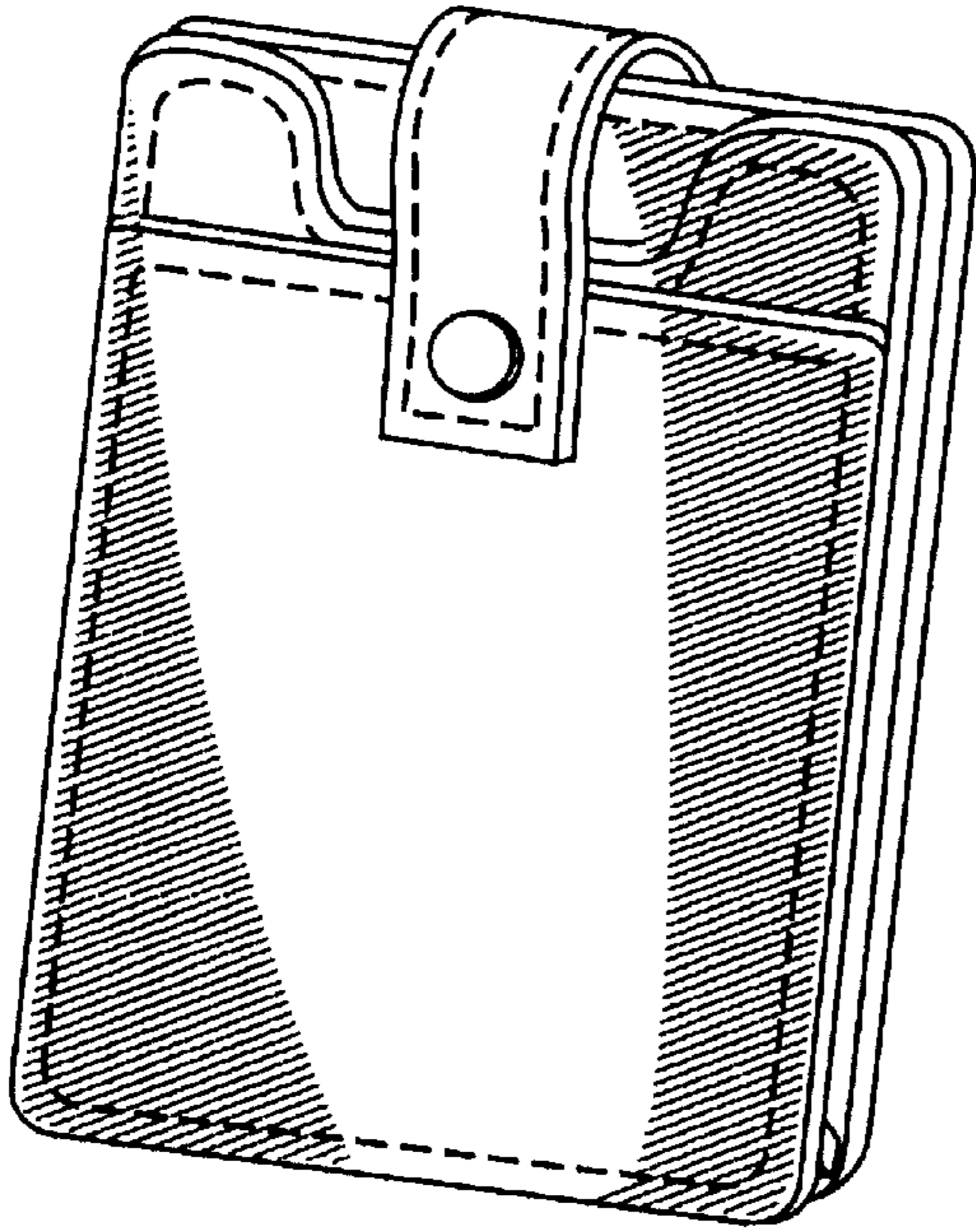


FIG. 1

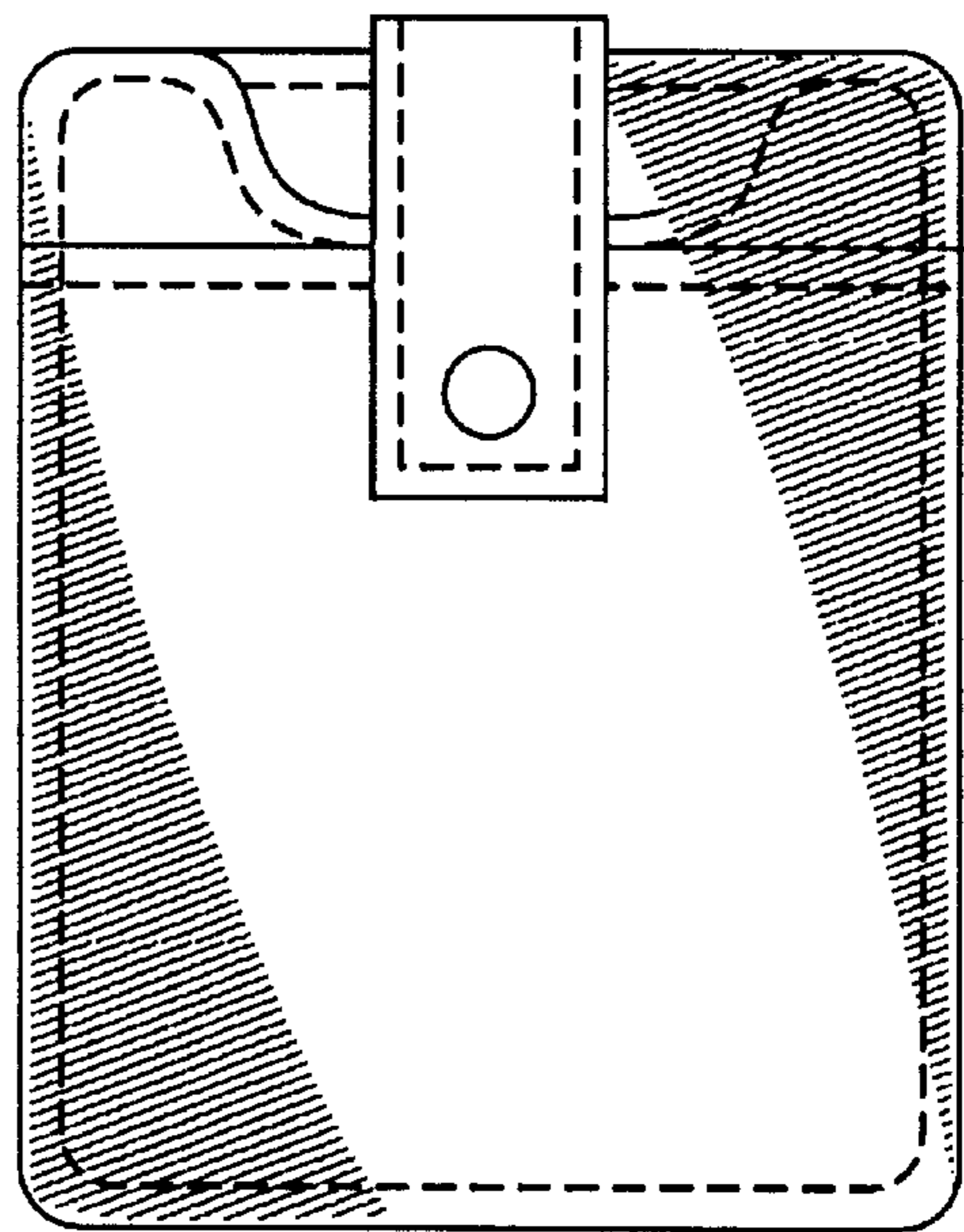


FIG. 2

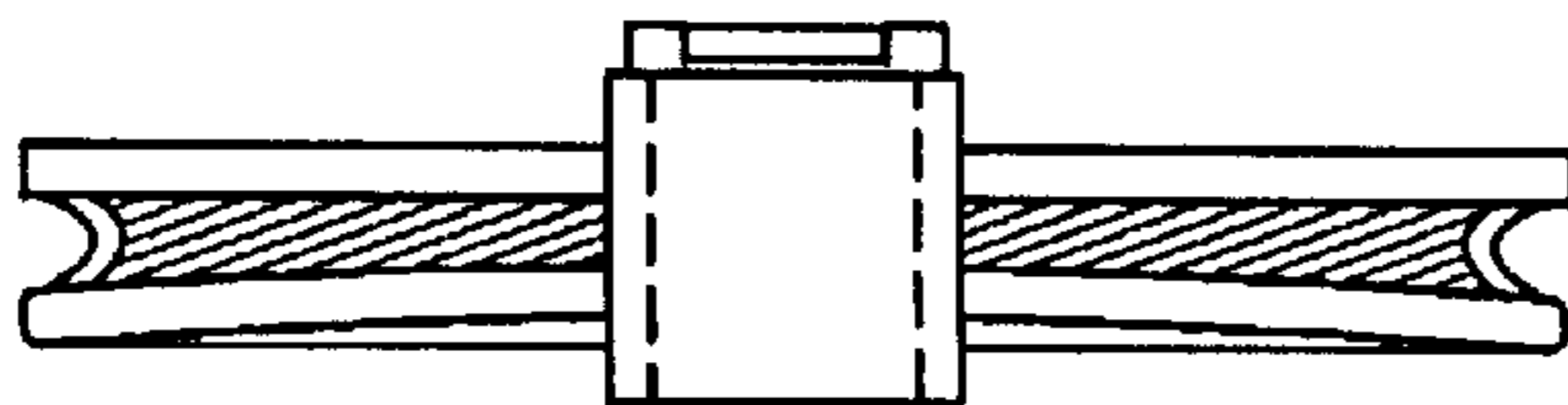


FIG. 3

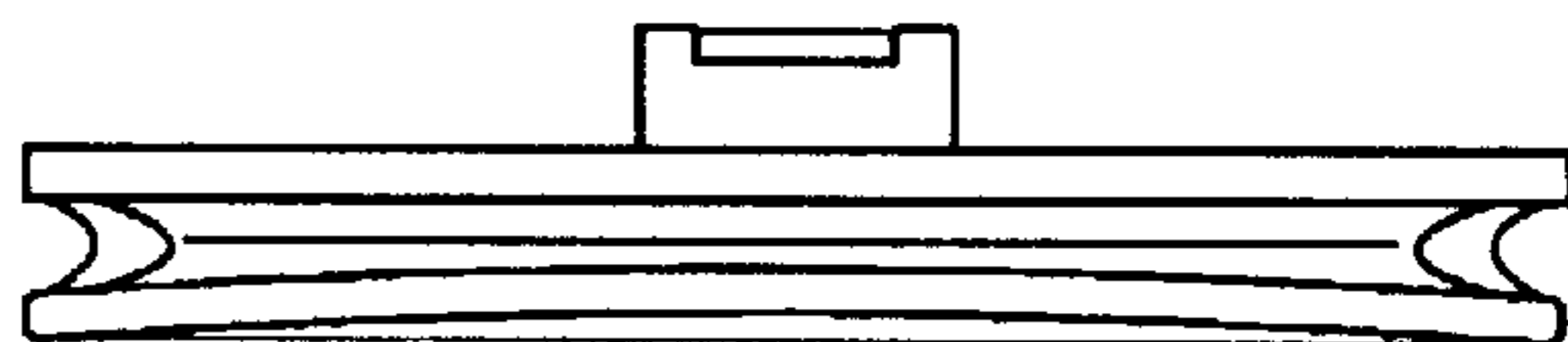


FIG. 4

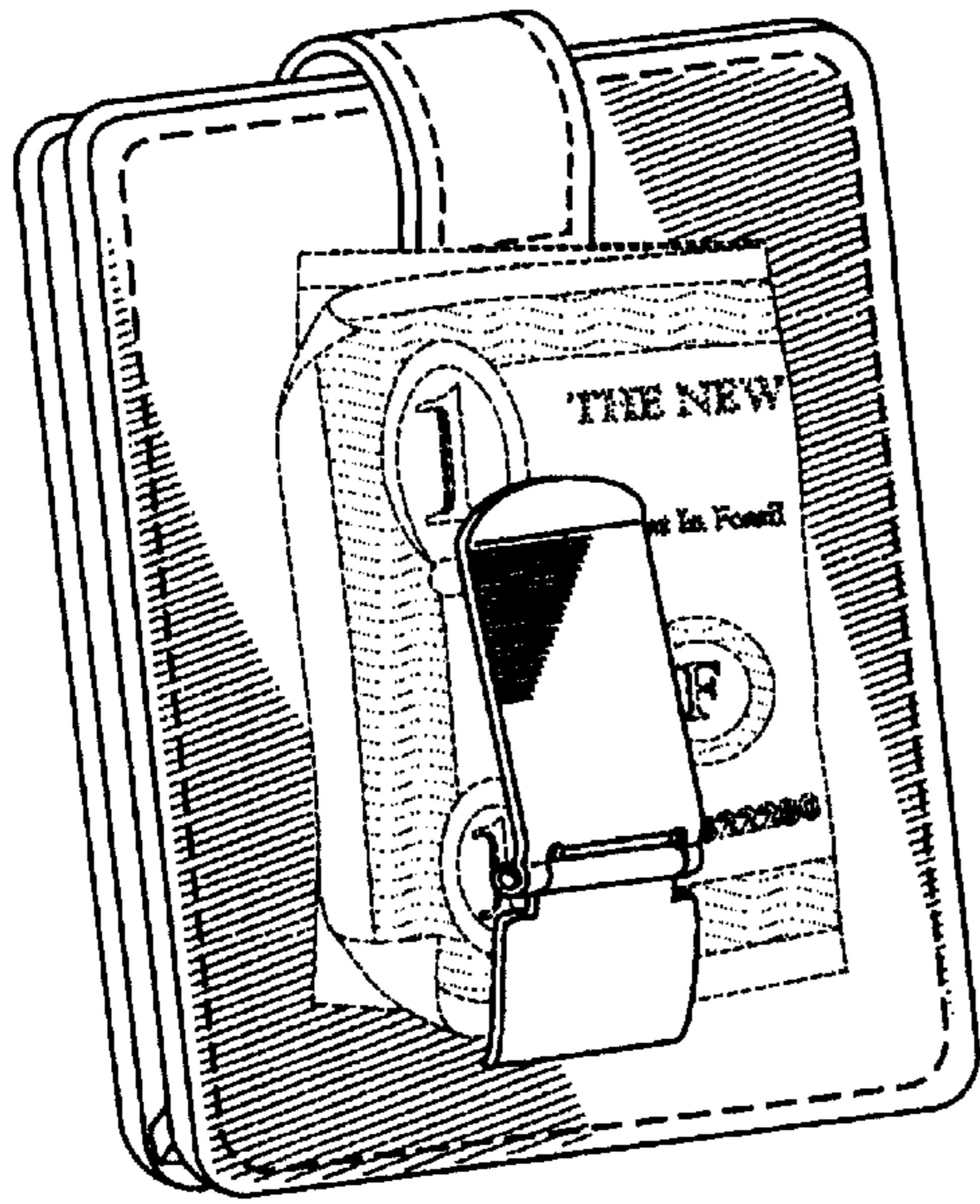


FIG. 5

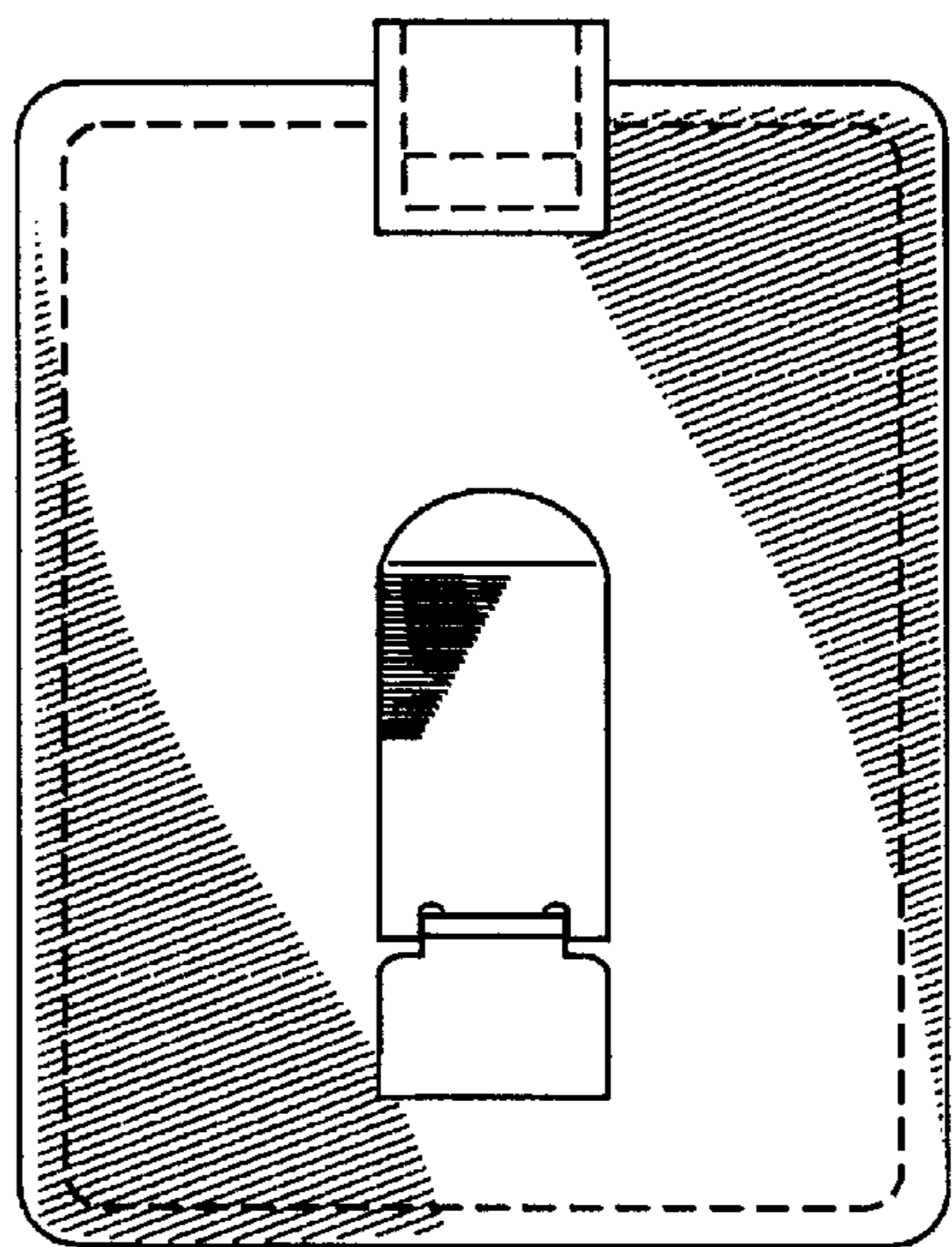


FIG. 6

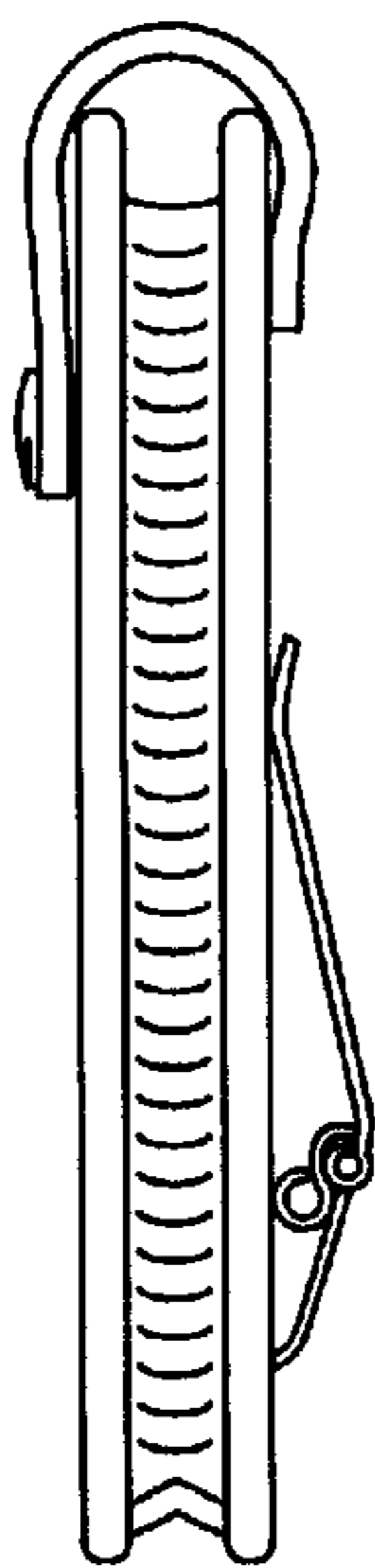


FIG. 7

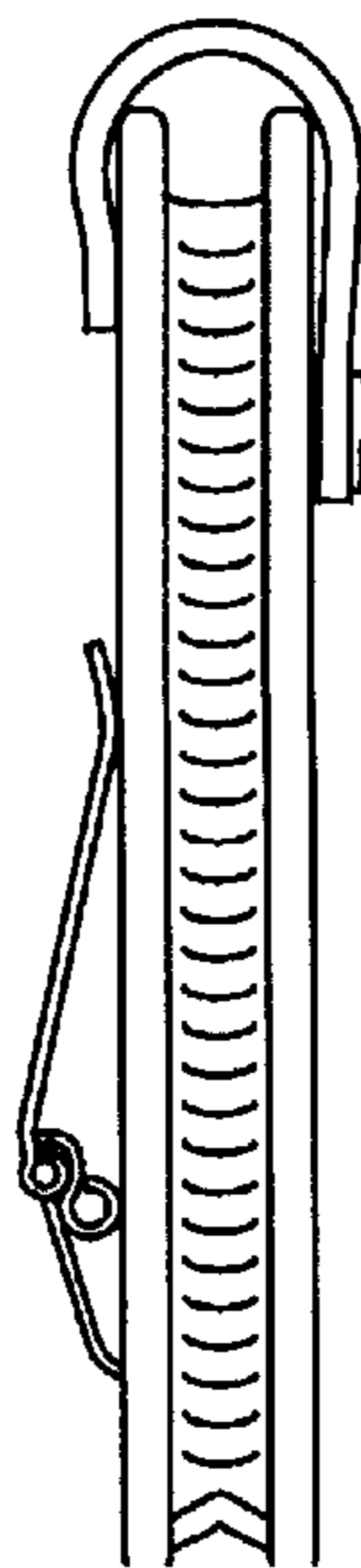


FIG. 8

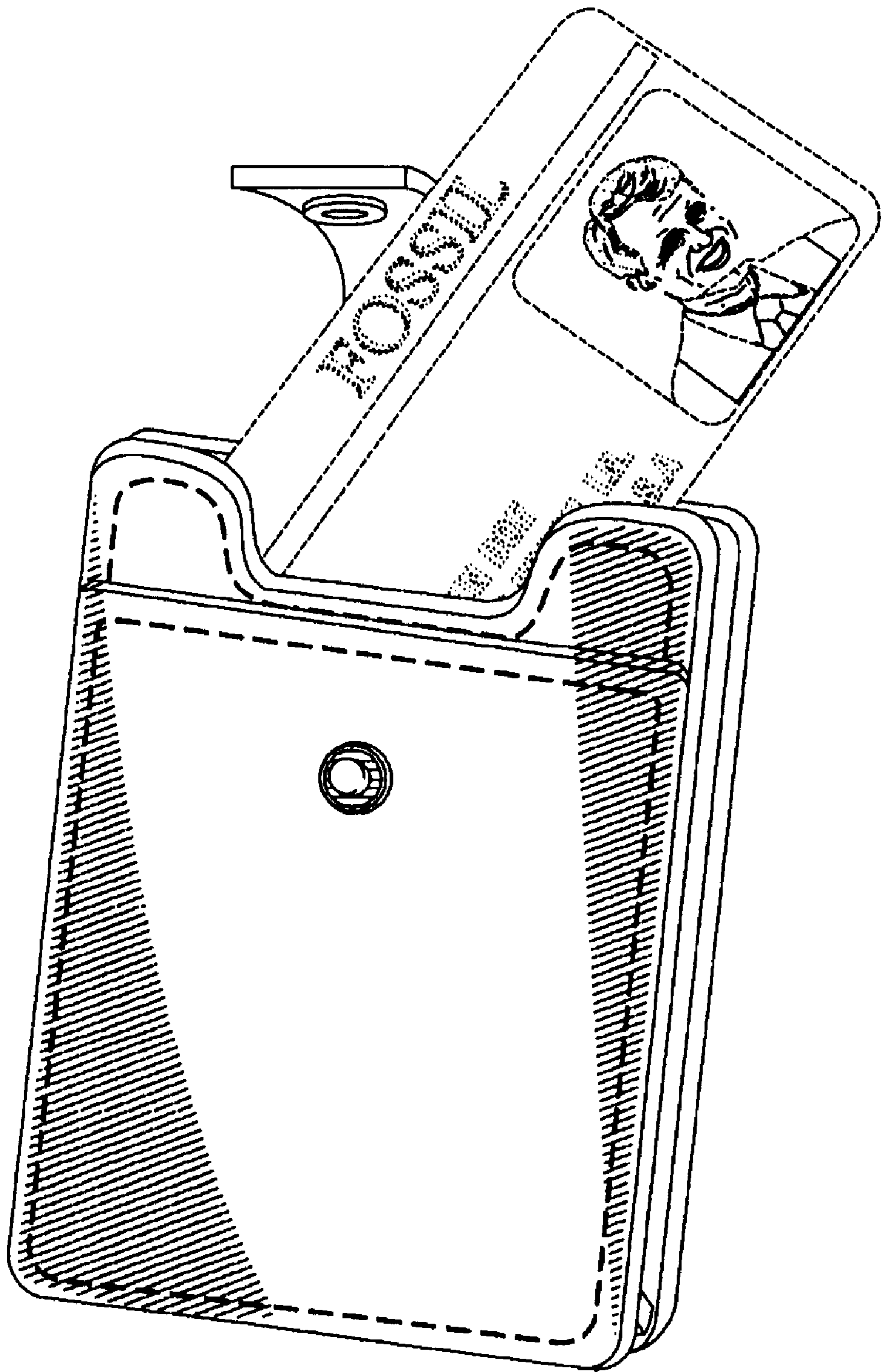


FIG. 9

UNITED STATES PATENT AND TRADEMARK OFFICE
CERTIFICATE OF CORRECTION

PATENT NO. : D424,803
DATED : 5/16/2000
INVENTOR(S) : Ramineh Kojoori

It is certified that error appears in the above-identified patent and that said Letters Patent is hereby corrected as shown below:

On the title page, item [54] and Col.1 Replace "Front Pocket Wallet" with
--Gusset Front Pocket Wallet--.

Signed and Sealed this
Twentieth Day of March, 2001



Attest:

NICHOLAS P. GODICI

Attesting Officer

Acting Director of the United States Patent and Trademark Office