



US00D424800S

# United States Patent [19] Harris

[11] **Patent Number: Des. 424,800**

[45] **Date of Patent: \*\* May 16, 2000**

[54] **CATHETER BAG CARRY COVER**

[76] Inventor: **Jane S. Harris**, 131 Stuyvesant Rd.,  
Asheville, N.C. 28803

[\*\*] Term: **14 Years**

[21] Appl. No.: **29/097,472**

[22] Filed: **Dec. 7, 1998**

[51] **LOC (7) Cl. .... 03-01**

[52] **U.S. Cl. .... D3/203; D24/118; D24/128**

[58] **Field of Search .... D24/118, 128,  
D24/121; 604/343, 345, 402, 408, 332;  
D3/203, 214, 215, 232, 226, 230, 243**

[56] **References Cited**

**U.S. PATENT DOCUMENTS**

D. 235,690	7/1975	Barad .....	D3/243
D. 325,126	4/1992	Costello .....	D3/203
D. 352,606	11/1994	Cylvick et al. ....	D3/203
D. 382,055	8/1997	Cassidy et al. ....	D24/128
D. 396,554	8/1998	Roeder .....	D3/243
5,643,233	7/1997	Turner .....	604/332
5,700,257	12/1997	Minick et al. ....	604/408

*Primary Examiner*—Stella Reid  
*Assistant Examiner*—I Simmons  
*Attorney, Agent, or Firm*—Carter & Schnedler, P.A.

[57] **CLAIM**

The ornamental design for a catheter bag carry cover, as shown and described.

**DESCRIPTION**

FIG. 1 is a perspective view of a catheter bag carry cover showing my new design;

FIG. 2 is a perspective view thereof, the broken line showing is for illustrative purposes only and forms no part of the claimed design;

FIG. 3 is a left side elevational thereof;

FIG. 4 is a right side elevational view thereof;

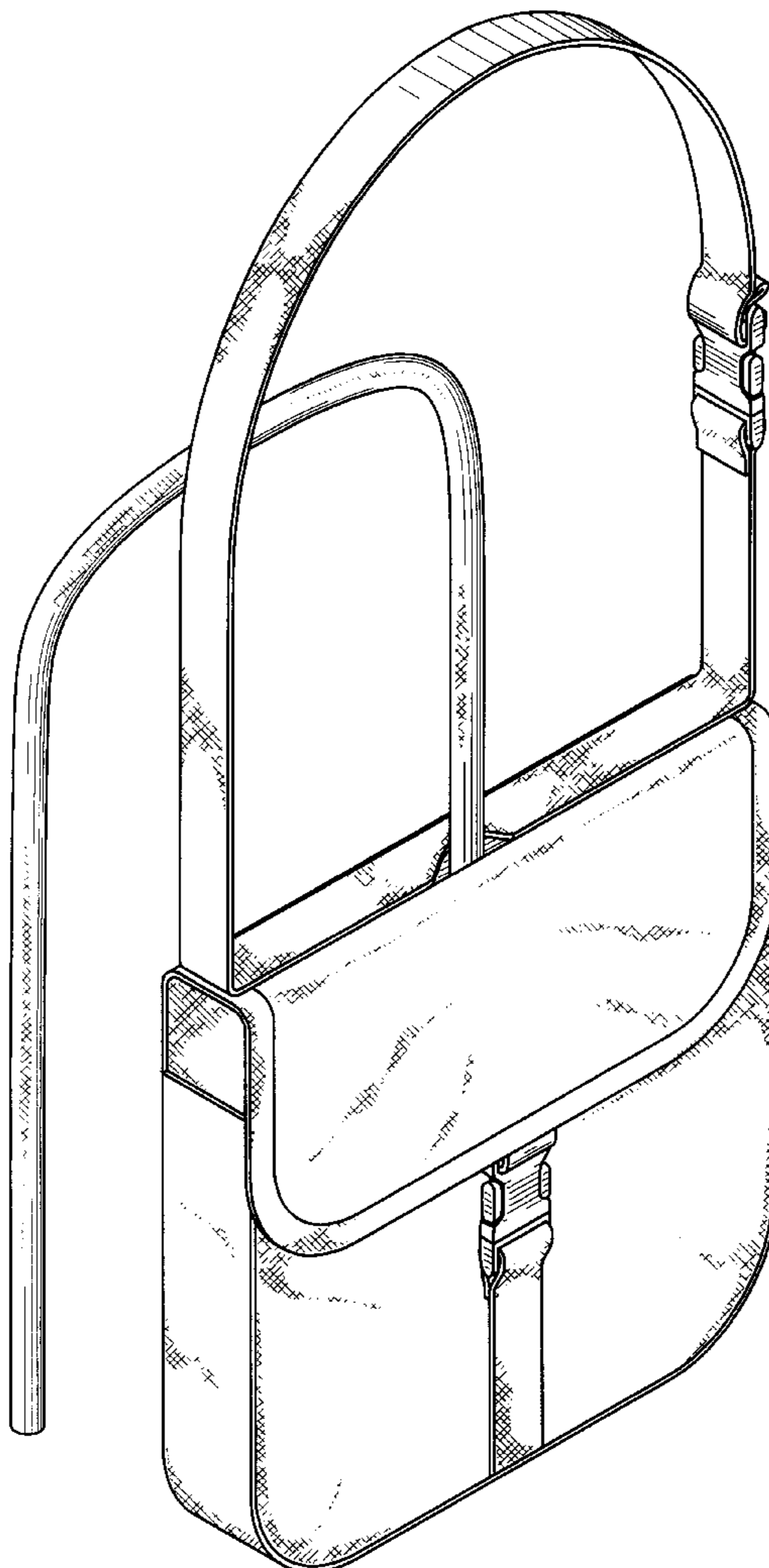
FIG. 5 is a front elevational view thereof;

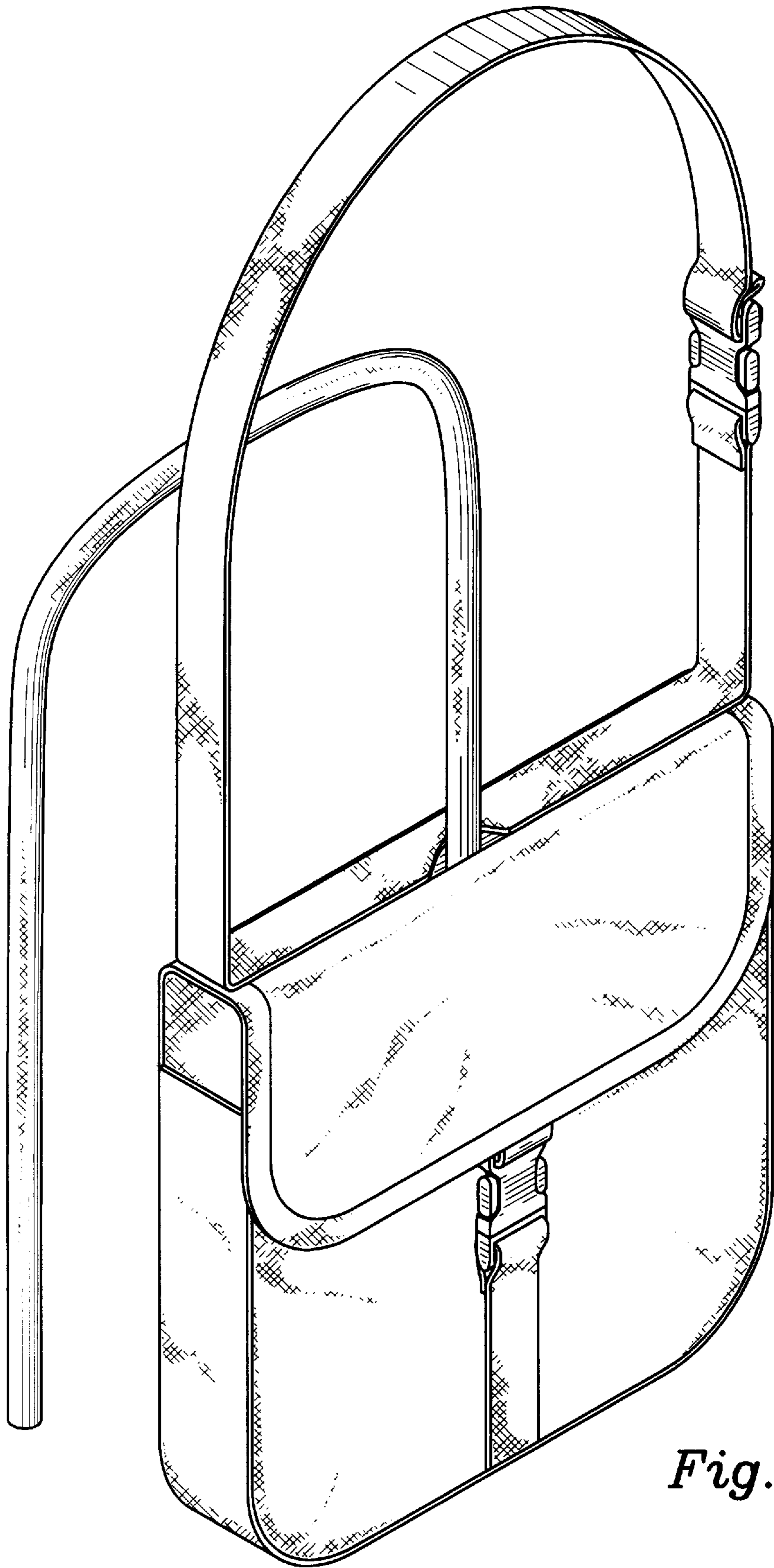
FIG. 6 is a rear elevational view thereof, with a portion of the catheter tube cover shown inserted into the rear of the bag;

FIG. 7 is a top view thereof; and,

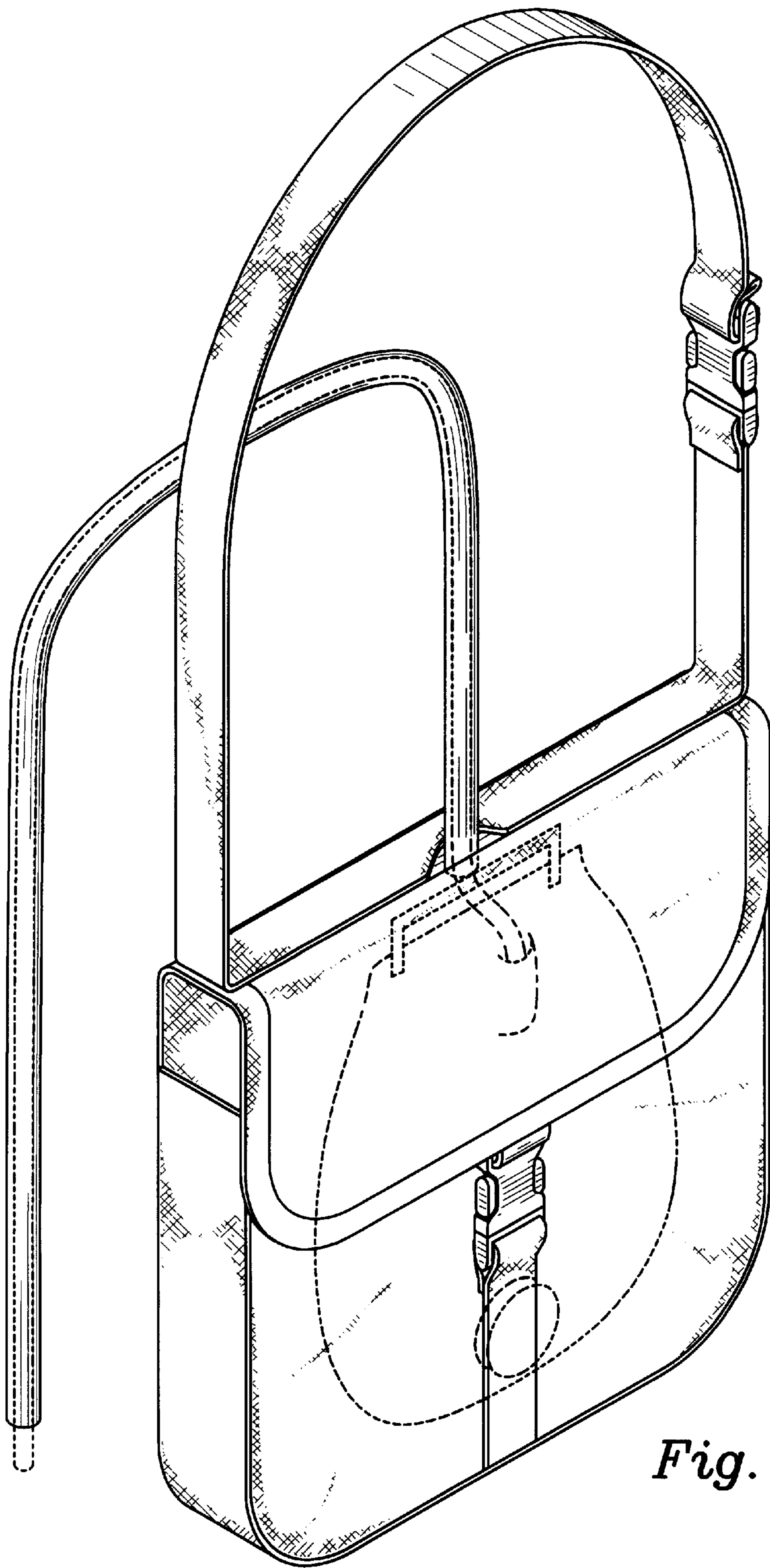
FIG. 8 is a bottom view of thereof.

**1 Claim, 6 Drawing Sheets**

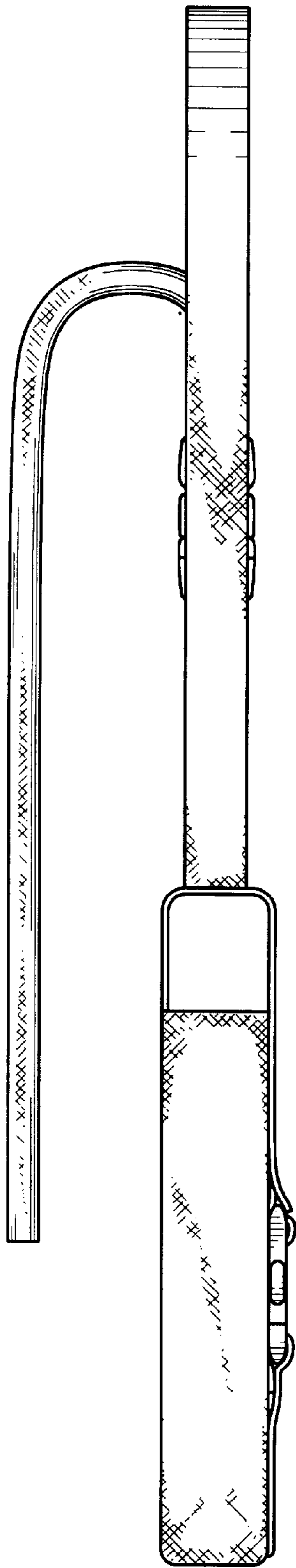




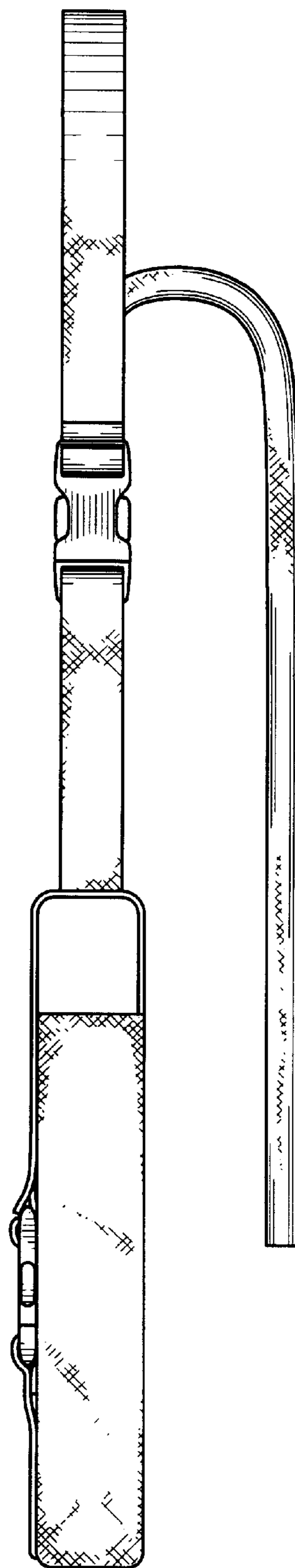
*Fig. 1*



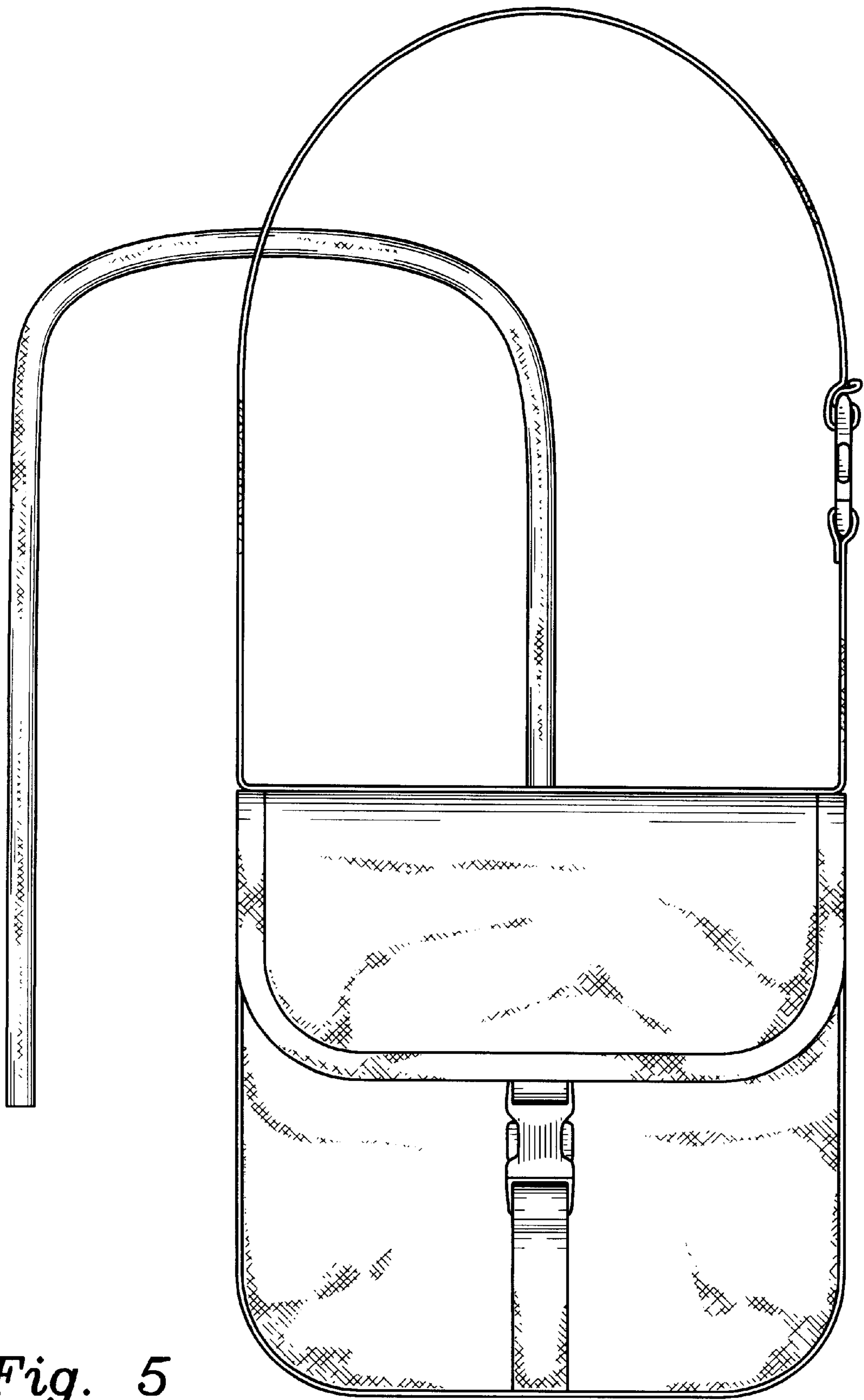
*Fig. 2*



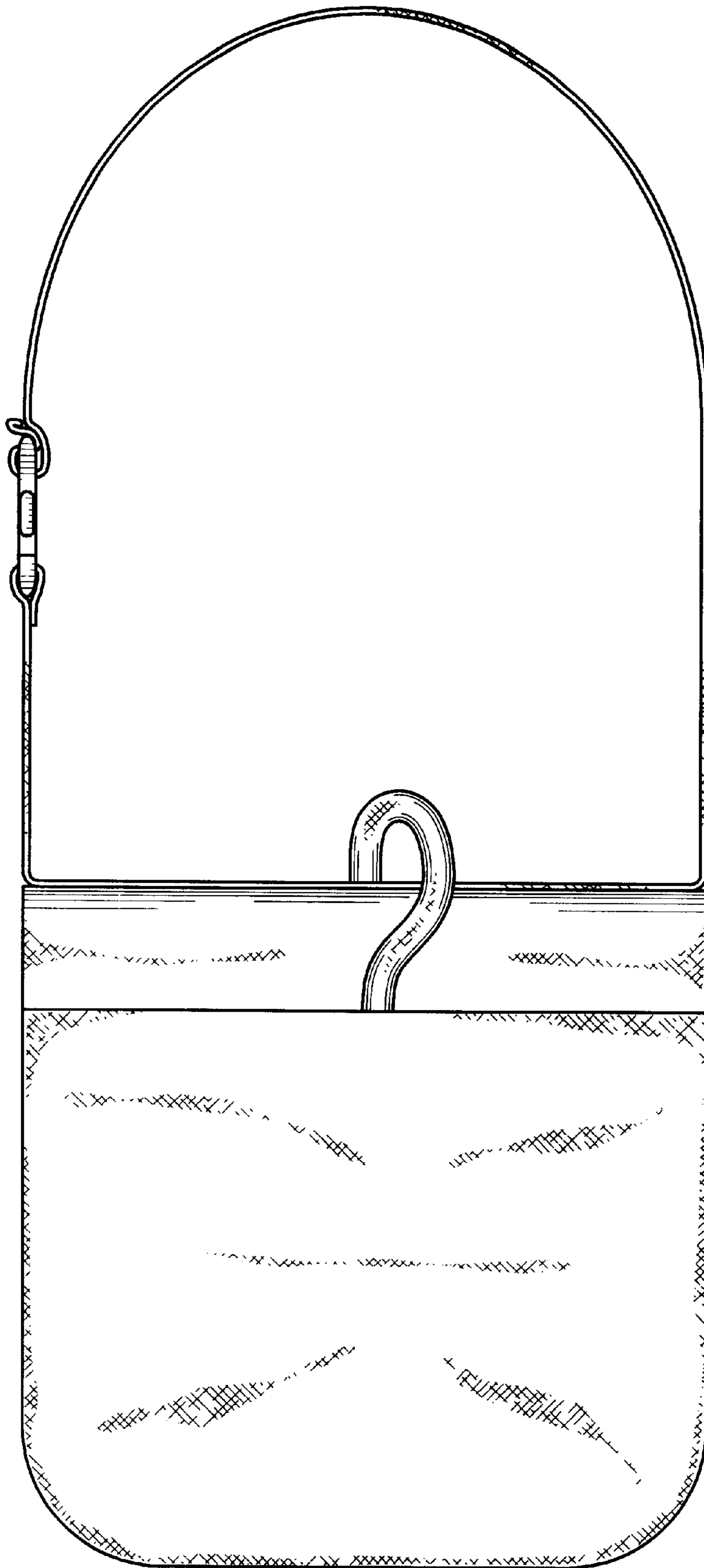
*Fig. 3*



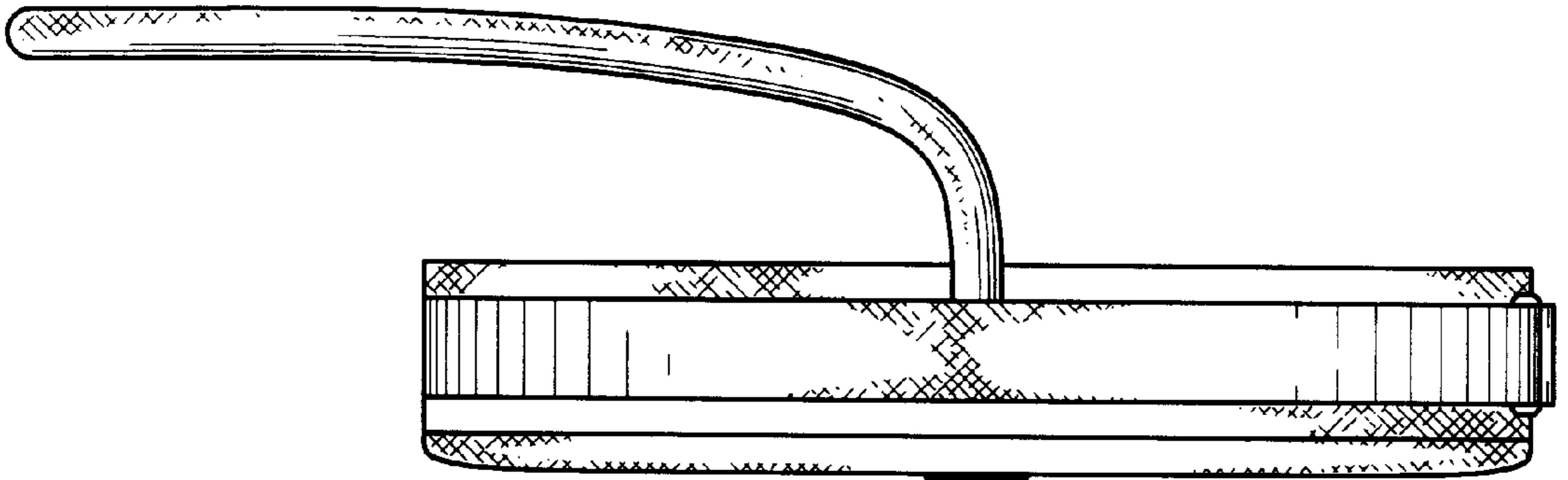
*Fig. 4*



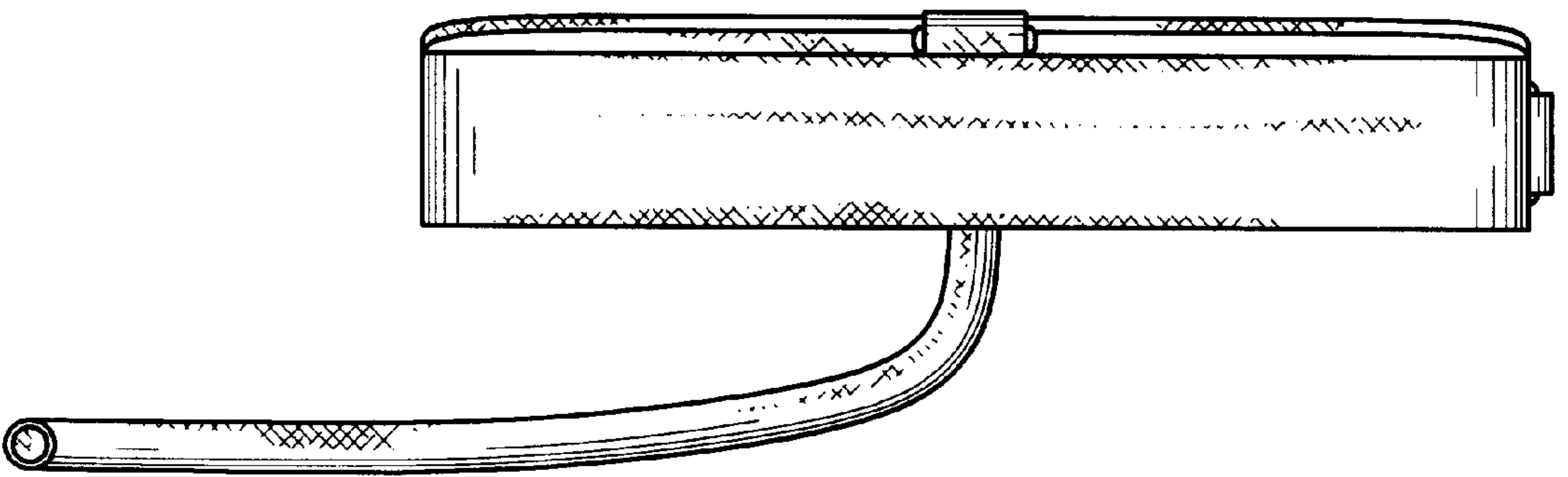
*Fig. 5*



*Fig. 6*



*Fig. 7*



*Fig. 8*