



US00D424799S

# United States Patent [19]

Lai

[11] Patent Number: **Des. 424,799**

[45] Date of Patent: **\*\* May 16, 2000**

[54] **STRETCHER STRUCTURE USED IN MULTIPLE COLLAPSIBLE UMBRELLA**

5,337,770	8/1994	Wang	.....	135/25.3
5,645,094	7/1997	Wu	.....	135/24
5,865,200	2/1999	Kuang et al.	.....	135/29

[76] Inventor: **Cheng Min Lai**, F38, 3rd Floor, No. 5, Hsin I Road, Sec. 5, Taipei, Taiwan

[\*\*] Term: **14 Years**

*Primary Examiner*—Louis S. Zarfes  
*Assistant Examiner*—Catherine R. Oliver  
*Attorney, Agent, or Firm*—Rosenberg, Klein & Lee

[21] Appl. No.: **29/103,103**

[57] **CLAIM**

[22] Filed: **Apr. 8, 1999**

The ornamental design for a stretcher structure used in multiple collapsible umbrella, as shown and described.

[51] **LOC (7) Cl.** ..... **03-04**

**DESCRIPTION**

[52] **U.S. Cl.** ..... **D3/5**

[58] **Field of Search** ..... D3/5, 6, 13; 135/15.1, 135/19, 23, 24, 25.3, 25.31, 25.32, 25.33, 29

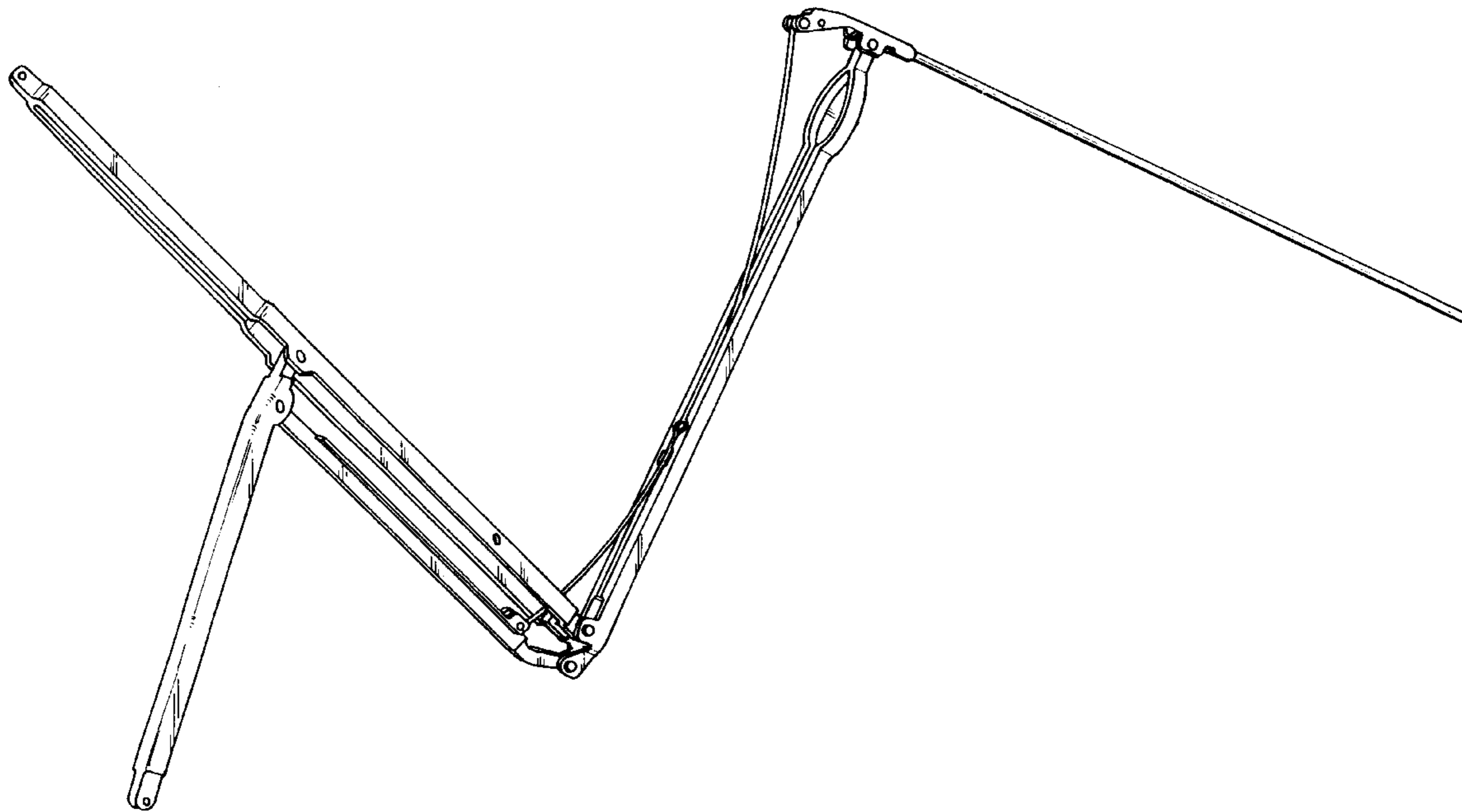
FIG. 1 is a perspective view of a stretcher structure used in multiple collapsible umbrella showing my new design; FIG. 2 is a front elevational view thereof; FIG. 3 is a rear elevational view thereof; FIG. 4 is a top plan view thereof; FIG. 5 is a bottom plan view thereof; FIG. 6 is a left side elevational view thereof; and, FIG. 7 is a right side elevational view thereof.

[56] **References Cited**

**U.S. PATENT DOCUMENTS**

3,746,024	7/1973	Kida	.....	135/25.3
5,193,565	3/1993	Huang	.....	135/25.3
5,235,998	8/1993	Liu	.....	135/25.3

**1 Claim, 5 Drawing Sheets**



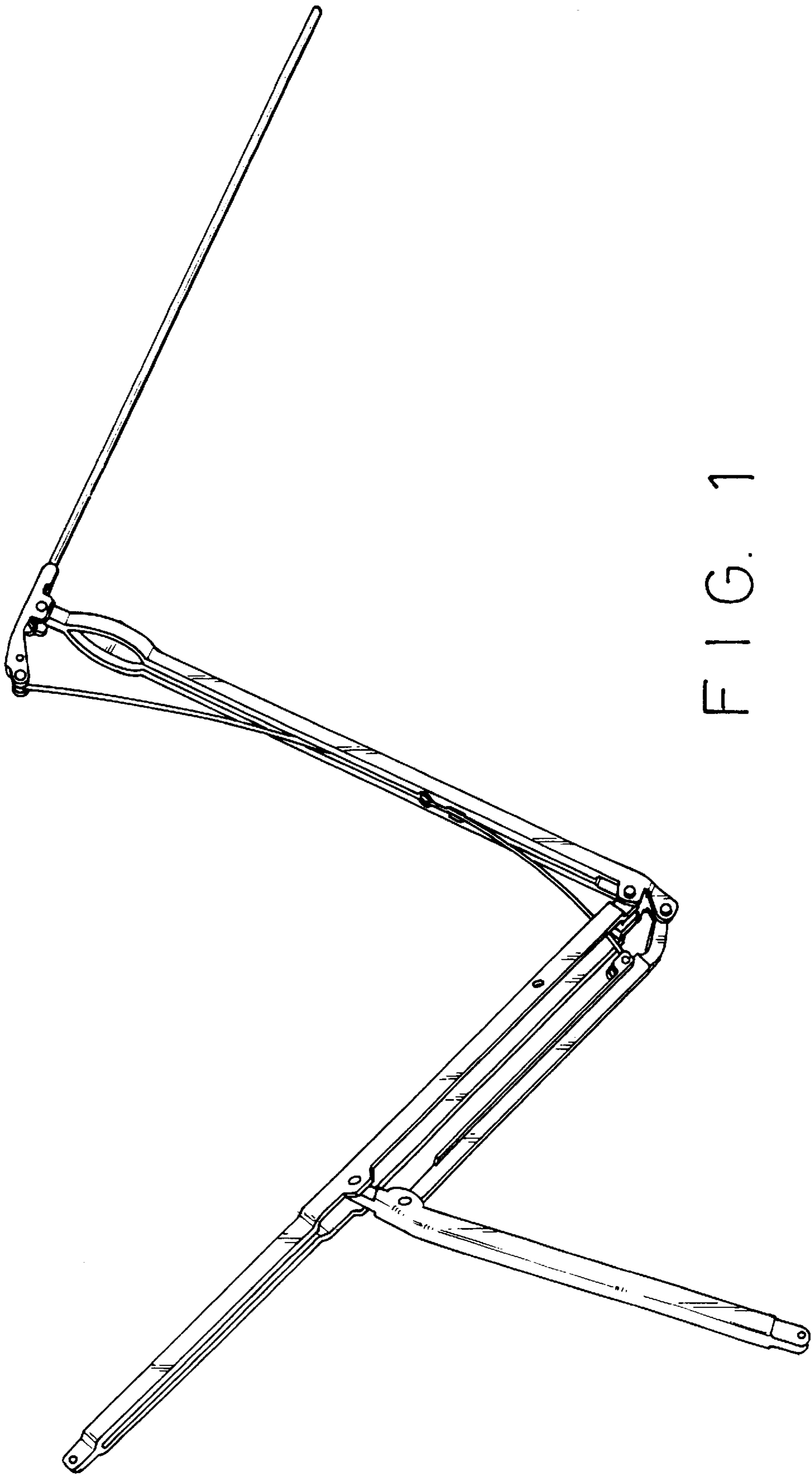


FIG. 1

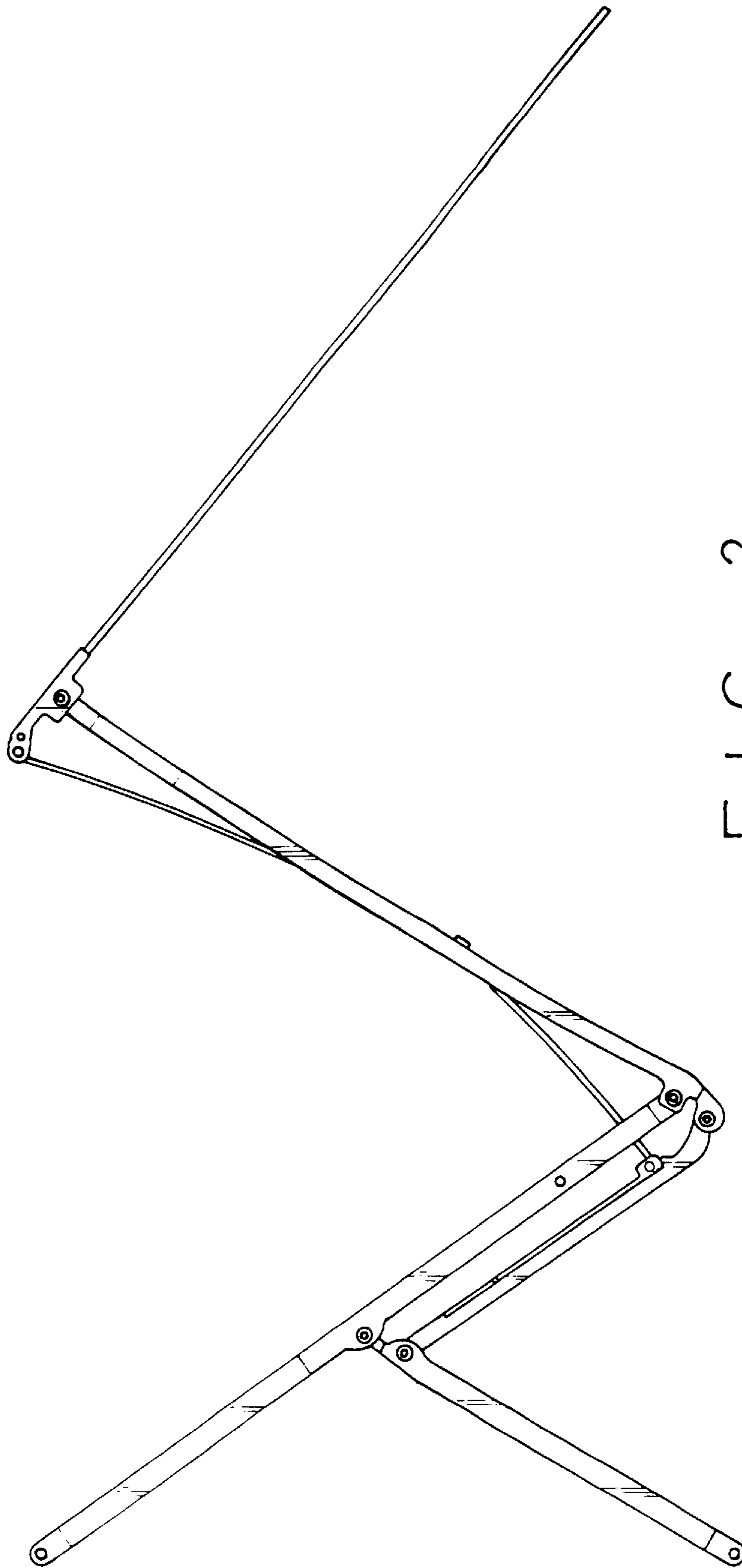


FIG. 2

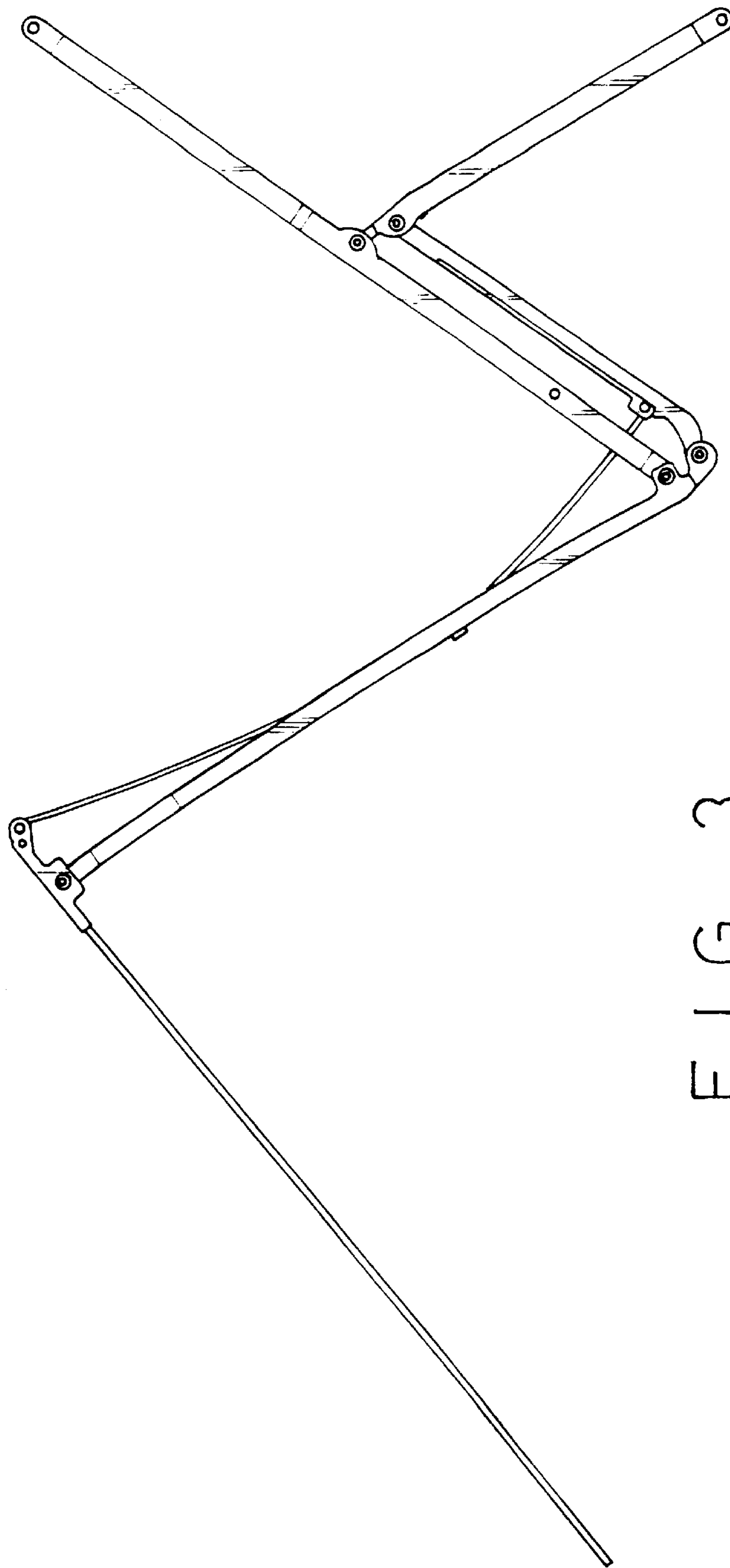


FIG. 3



FIG. 4



FIG. 5

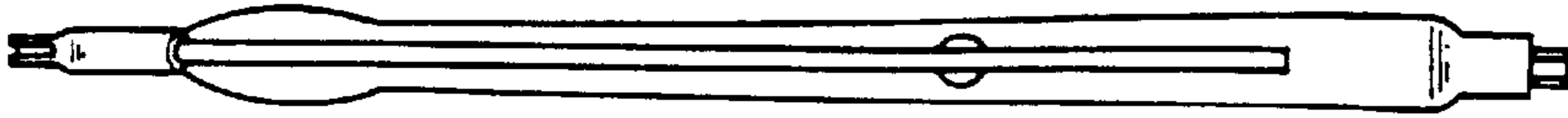


FIG. 7



FIG. 6